



US00D947735S

(12) **United States Design Patent** (10) **Patent No.:** **US D947,735 S**
Kim et al. (45) **Date of Patent:** **** Apr. 5, 2022**

(54) **REAR DOOR PANEL FOR AN AUTOMOBILE**

(71) Applicants: **Hyundai Motor Company**, Seoul (KR); **Kia Motors Corporation**, Seoul (KR)

(72) Inventors: **Jae Wook Kim**, Suwon-si (KR); **Tae-Hoon Kim**, Seoul (KR)

(73) Assignees: **Hyundai Motor Company**, Seoul (KR); **Kia Motors Corporation**, Seoul (KR)

D653,187 S * 1/2012 Tomatsu D12/196
D671,471 S * 11/2012 Yamada D12/196
D776,593 S * 1/2017 Schneider D12/196
D784,888 S * 4/2017 Lim D12/196
D785,530 S * 5/2017 Kyung D12/196
D801,247 S * 10/2017 Lee D12/196
D832,170 S * 10/2018 Park D12/196
D832,171 S * 10/2018 Jung D12/196
D833,938 S * 11/2018 Lee D12/196
D875,634 S * 2/2020 Lim D12/196
D892,695 S * 8/2020 Oh D12/196
D900,693 S * 11/2020 Kim D12/196
D930,543 S * 9/2021 Kim D12/196

(Continued)

(**) Term: **15 Years**

(21) Appl. No.: **35/510,745**

(22) Filed: **May 8, 2020**

(80) **Hague Agreement Data**

Int. Filing Date: **May 8, 2020**

Int. Reg. No.: **DM/208282**

Int. Reg. Date: **May 8, 2020**

Int. Reg. Pub. Date: **Nov. 13, 2020**

(30) **Foreign Application Priority Data**

Jan. 30, 2020 (KR) 30-2020-0004103

(51) **LOC (13) Cl.** **12-16**

(52) **U.S. Cl.**
USPC **D12/196**

(58) **Field of Classification Search**

USPC D12/90, 91, 92, 184, 196

CPC B62D 24/00; B62D 24/02; B62D 25/02;
B62D 25/18; B62D 25/08; B62D 35/00;

B60J 5/04; B60R 19/02; B60R 19/04
See application file for complete search history.

(56) **References Cited**

U.S. PATENT DOCUMENTS

D489,305 S * 5/2004 Kim D12/196

D645,388 S * 9/2011 Kumai D12/196

OTHER PUBLICATIONS

“2021 Hyundai Elantra.” Hyundai Brochure., Oct. 31, 2020 [online], [retrieved on Oct. 29, 2021]. Retrieved from the Internet <URL: https://www.auto-brochures.com/makes/Hyundai/Elantra/Hyundai_US%20Elantra_2021.pdf>.*

(Continued)

Primary Examiner — Darlington Ly

(74) *Attorney, Agent, or Firm* — Mintz Levin Cohn Ferris Glovsky and Popeo, P.C.; Peter F. Corless

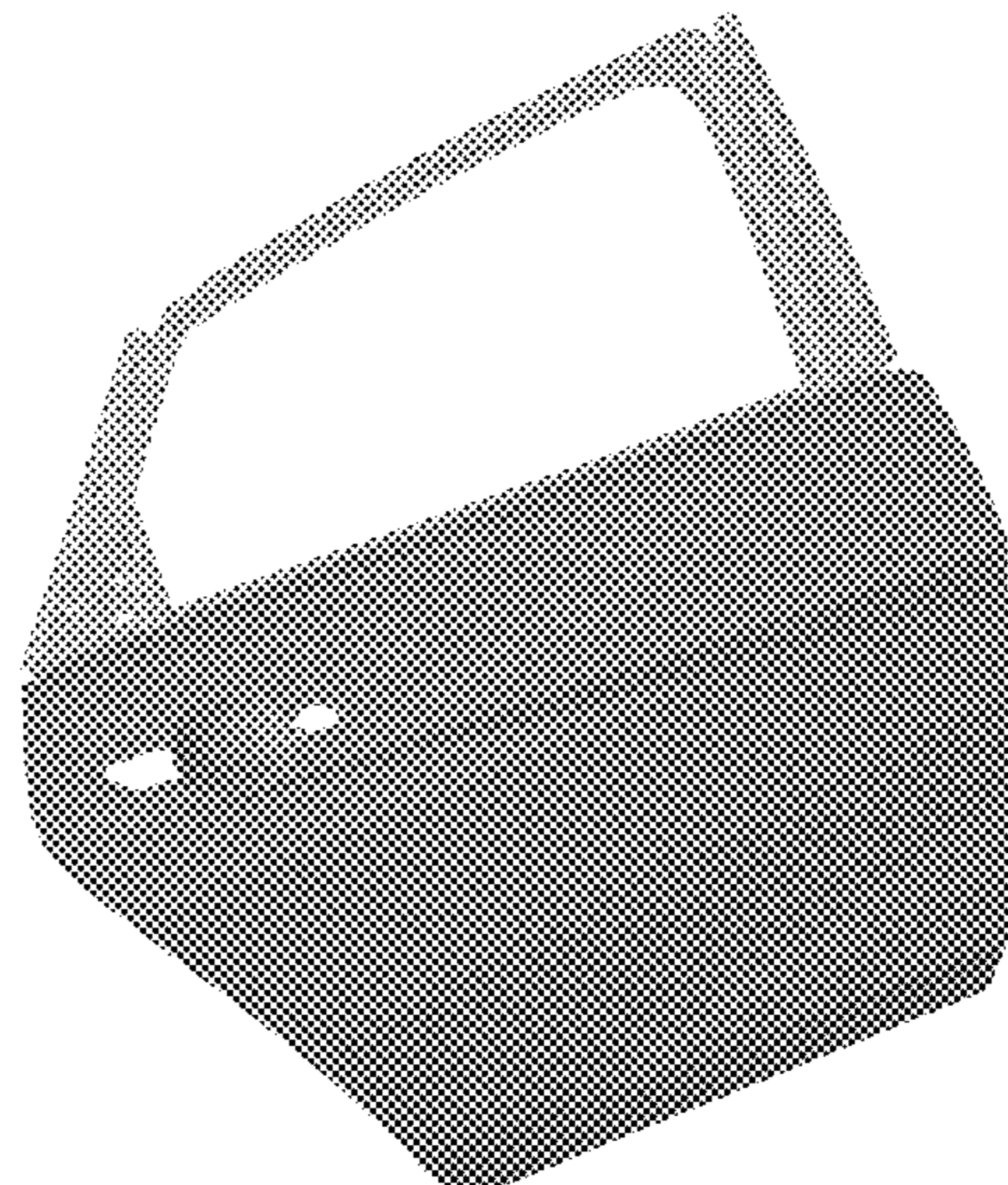
(57) **CLAIM**

The ornamental design for a rear door panel for an automobile, as shown and described.

DESCRIPTION

1. Rear door panel for an automobile
1.1 is a front perspective view of a rear door panel for an automobile embodying our new design;
1.2 is a front elevation view thereof;
1.3 is a rear elevation view thereof;
1.4 is a left side elevation view thereof;
1.5 is a right side elevation view thereof;
1.6 is a top plan view thereof; and
1.7 is a bottom plan view thereof.

1 Claim, 7 Drawing Sheets



(56)

References Cited

U.S. PATENT DOCUMENTS

D930,545 S * 9/2021 Lee D12/196
2012/0272578 A1 * 11/2012 Ellinghaus E05D 15/101
49/358
2015/0035310 A1 * 2/2015 Yamaguchi B60R 13/0206
296/153

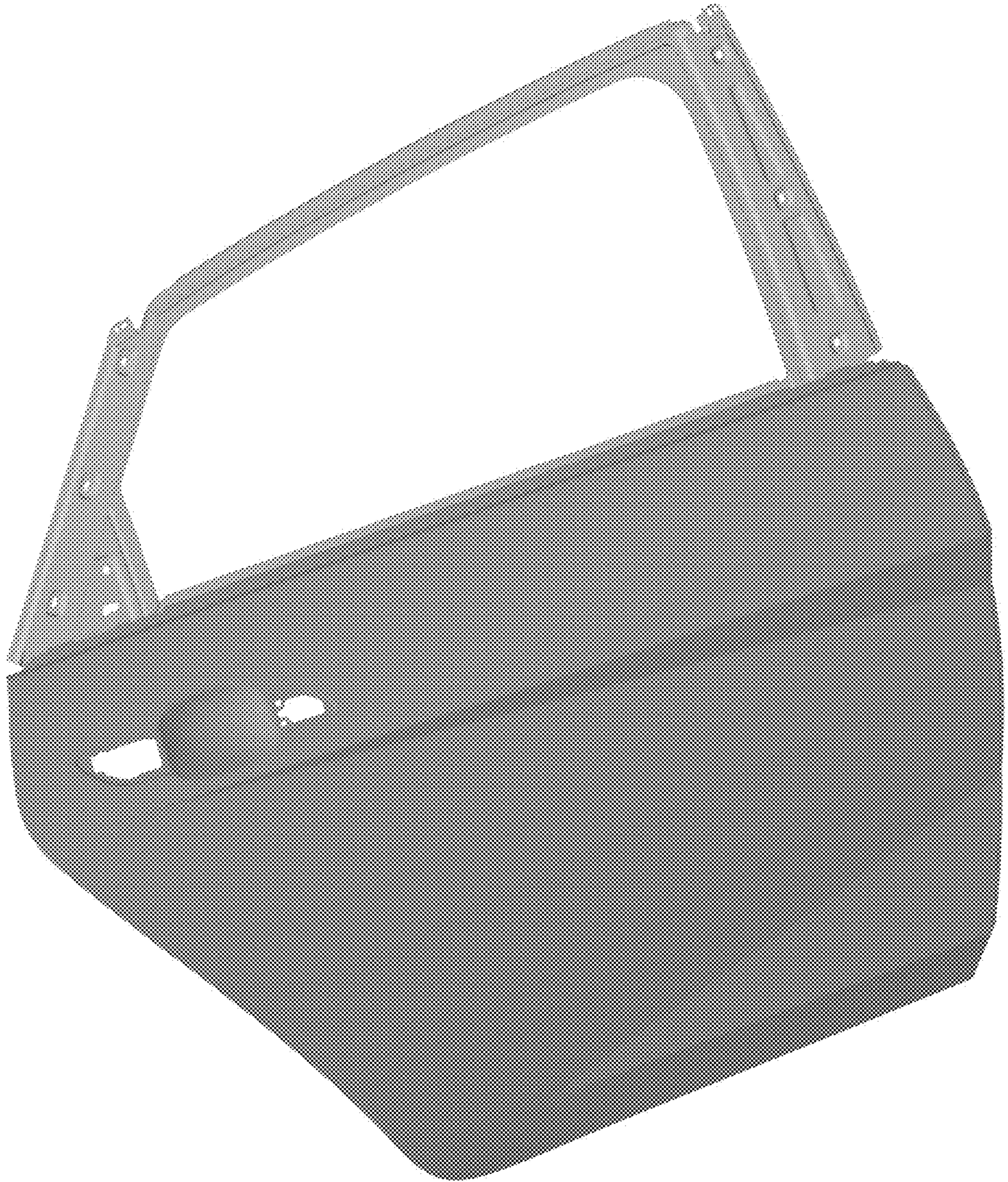
OTHER PUBLICATIONS

“2020 Hyundai Full Line.” Hyundai Brochure., Sep. 26, 2019
[online], [retrieved on Oct. 29, 2021]. Retrieved from the Internet
<URL: https://www.auto-brochures.com/makes/Hyundai/Hyundai_US%20Full_Line_2020.pdf>.*

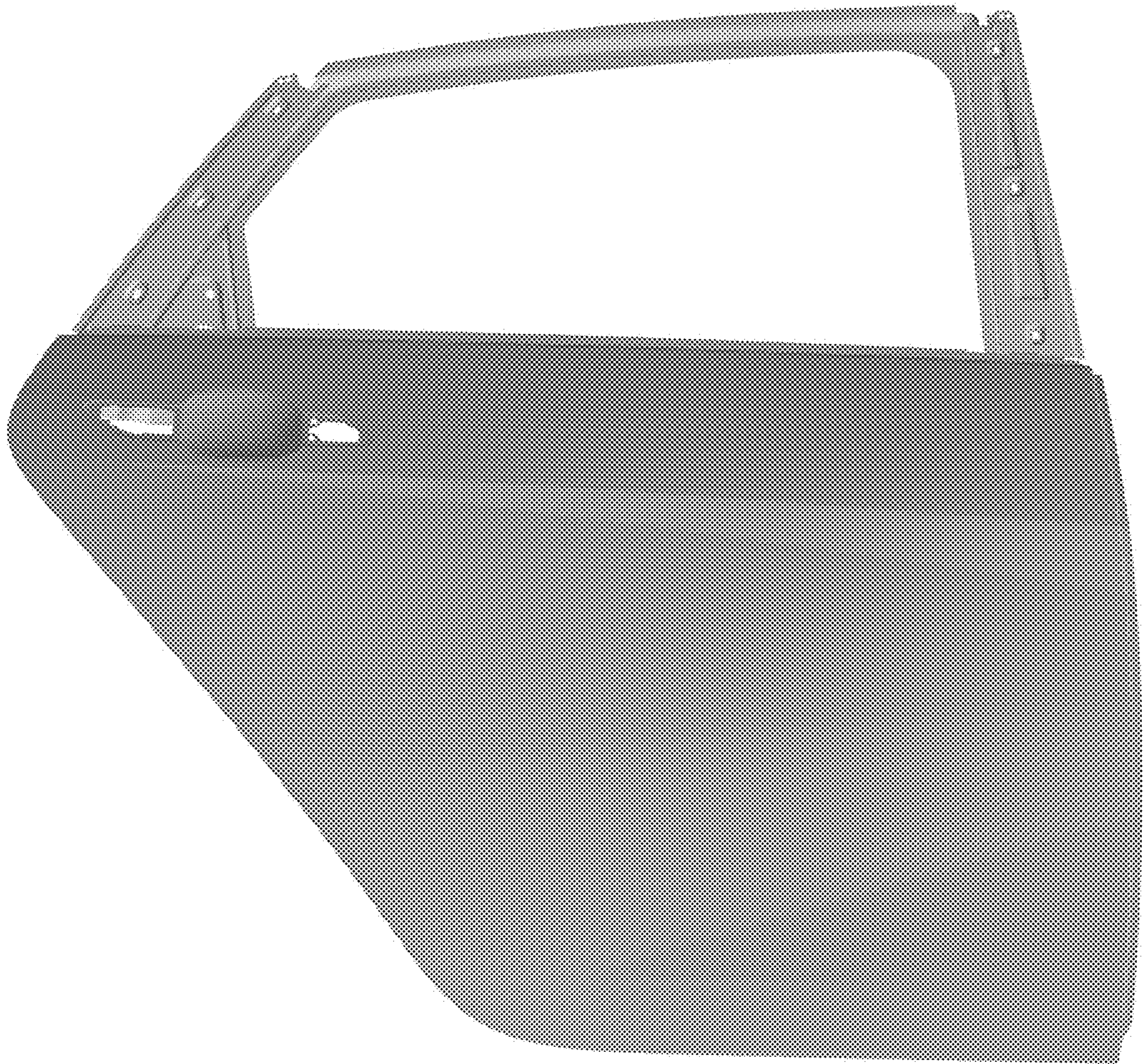
Sebastian Blanco. “Pricing Revealed: 2021 Hyundai Elantra Gets Hybrid Powertrain, Upgraded Tech.” Forbes Wheels., Oct. 29, 2020
[online], [retrieved on Oct. 29, 2021]. Retrieved from the Internet
<URL: <https://www.forbes.com/wheels/news/pricing-revealed-2021-hyundai-elantra/>>.*

* cited by examiner

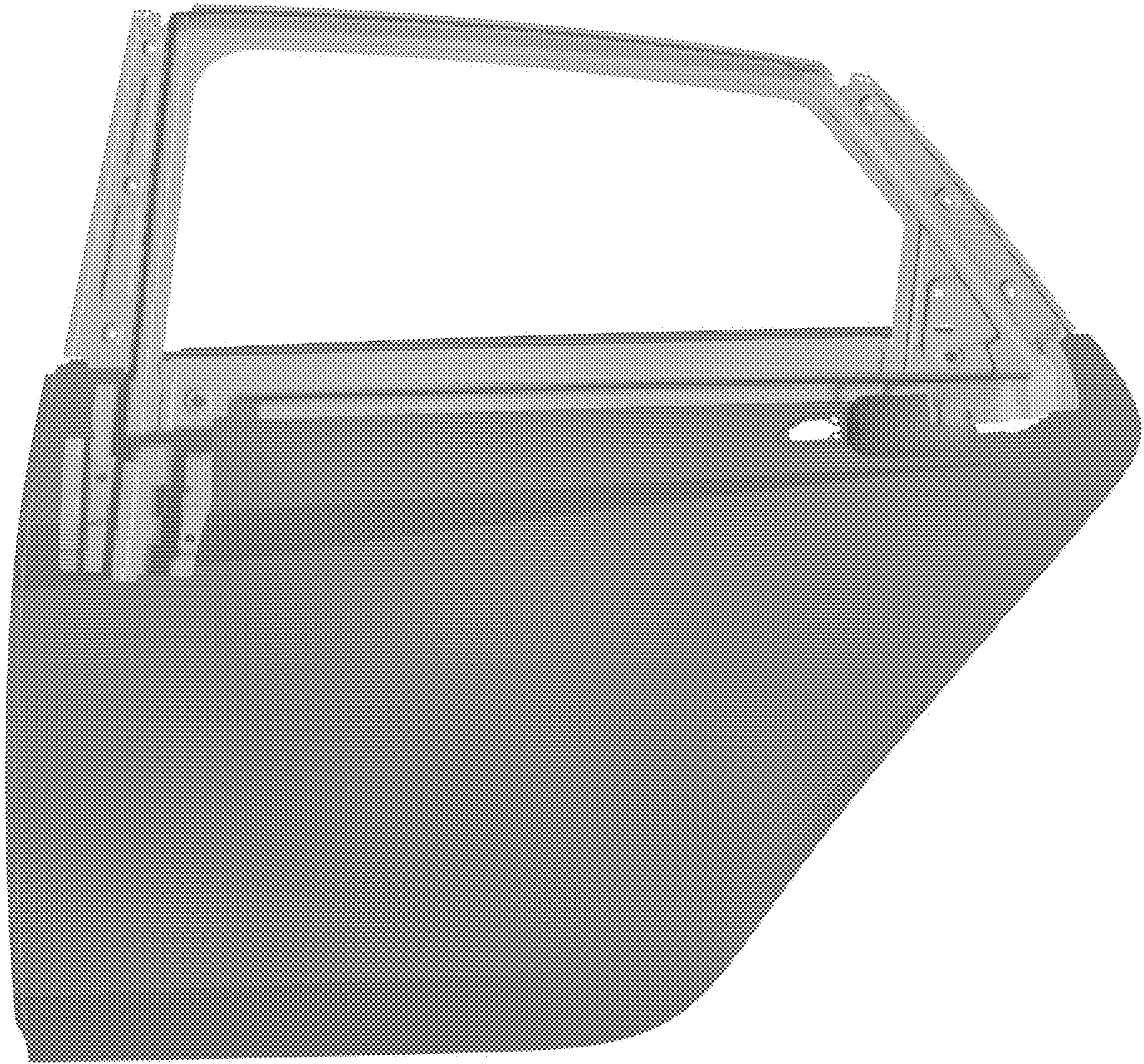
1.1



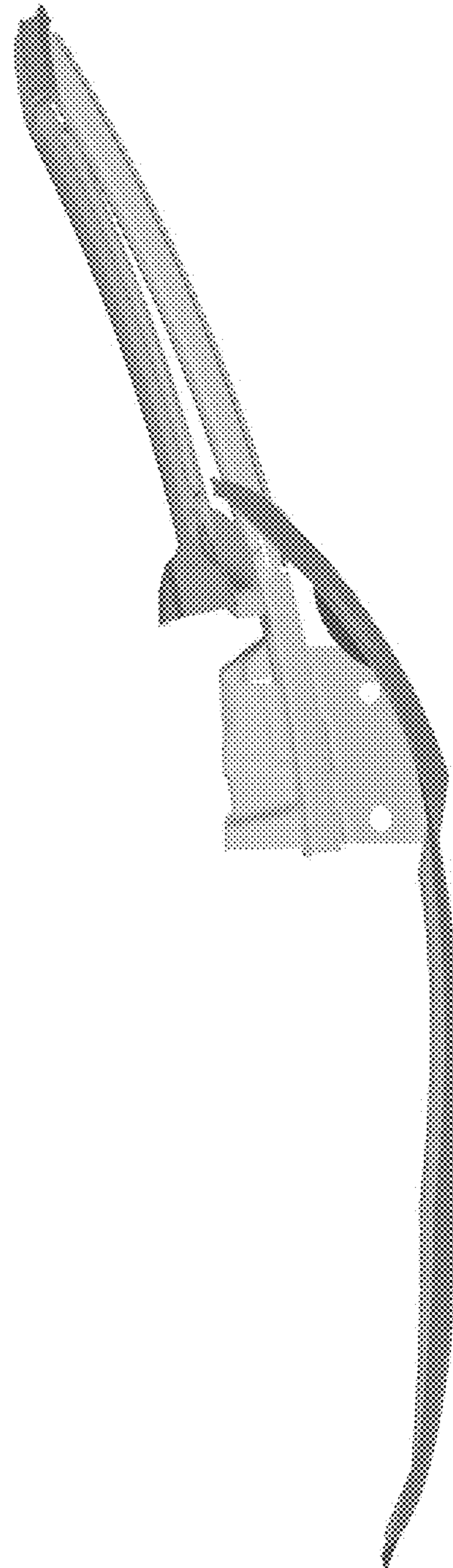
1.2



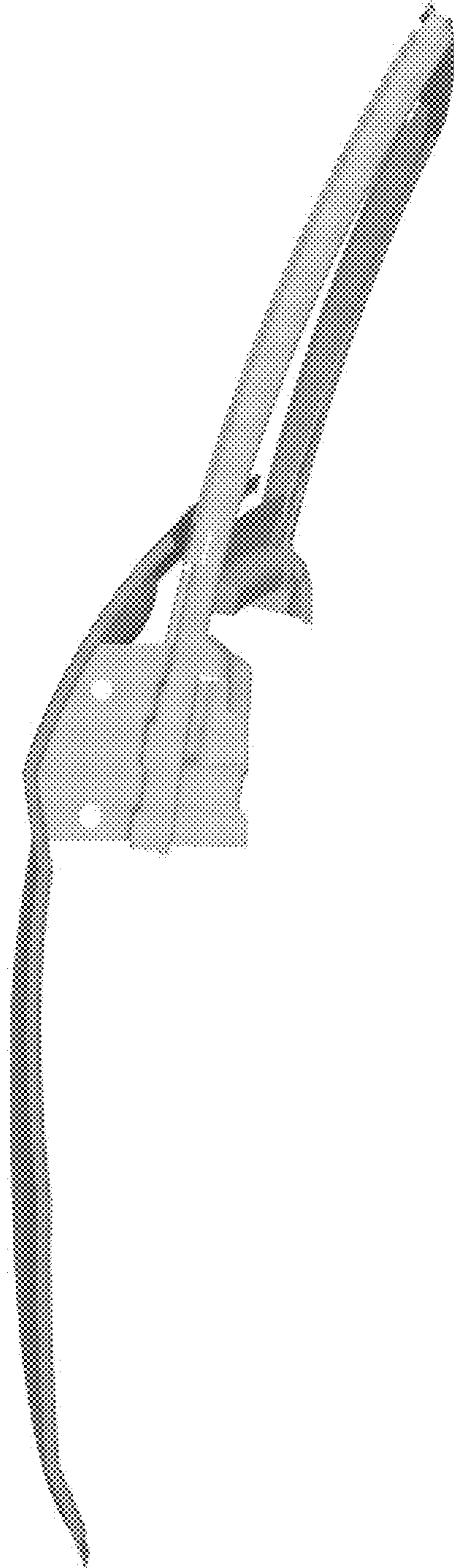
1.3



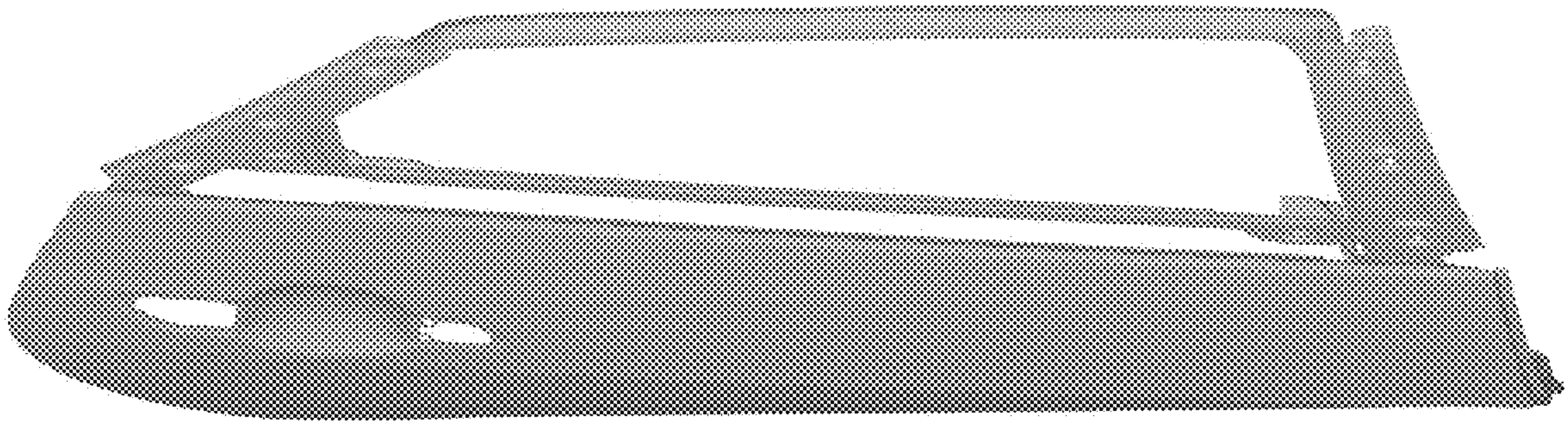
1.4



1.5



1.6



1.7

