



US00D947733S

(12) **United States Design Patent** (10) **Patent No.:** **US D947,733 S**
Kuemmerling et al. (45) **Date of Patent:** **** Apr. 5, 2022**

(54) **BRAKE DUST FILTER**
(71) Applicant: **MANN+HUMMEL GmbH**,
Ludwigsburg (DE)
(72) Inventors: **Volker Kuemmerling**,
Bietigheim-Bissingen (DE); **Thomas
Jessberger**, Aspberg (DE); **Lukas
Bock**, Bietigheim-Bissingen (DE);
Benedikt Weller, Steinheim (DE);
Tobias Woerz, Leutenbach (DE); **Klaus
Gehwolf**, Mamming (DE); **Theodor
Rockinger**, Marklkofen (DE); **Klaus
Mack**, Hardthausen (DE)

D739,319 S * 9/2015 Montgomery D12/180
D890,047 S * 7/2020 Bock F16D 65/0031
D12/180
D894,066 S * 8/2020 Kuemmerling D12/180
D907,546 S * 1/2021 Bock D12/180
D918,107 S * 5/2021 Zhang D12/180

(Continued)

FOREIGN PATENT DOCUMENTS

CN 202030459073.3 * 2/2021

OTHER PUBLICATIONS

“Brake dust particle filter” MANN+HUMMEL., posted date Nov. 26, 2020 [online], [retrieved on Nov. 18, 2021]. Retrieved from the Internet <URL:https://oem.mann-hummel.com/en/oem-products/fine-dust-filters/brake-dust-particle-filter.html> (Year: 2020).*

(Continued)

Primary Examiner — Darlington Ly
Assistant Examiner — Nasim Abdulaziz Ali

(73) Assignee: **MANN+HUMMEL GmbH**,
Ludwigsburg (DE)

(**) Term: **15 Years**

(21) Appl. No.: **29/747,000**

(22) Filed: **Aug. 19, 2020**

(30) **Foreign Application Priority Data**

Mar. 13, 2020 (EM) 007745583-0001
Mar. 13, 2020 (EM) 007745583-0002

(51) **LOC (13) Cl.** **12-16**

(52) **U.S. Cl.**
USPC **D12/180**

(58) **Field of Classification Search**
USPC D12/179, 180, 181, 184, 185, 400
CPC .. B60T 17/00; B60D 1/01; B60D 1/14; B60R
25/02105; B60R 2011/001; F16D
2055/0016; F16D 65/00; F16D 65/0087;
F16D 65/0093; F16D 65/02; F16D
65/0979

See application file for complete search history.

(56) **References Cited**

U.S. PATENT DOCUMENTS

D476,275 S * 6/2003 Winkler F16D 55/22
D12/180
D515,484 S * 2/2006 Winkler D12/180

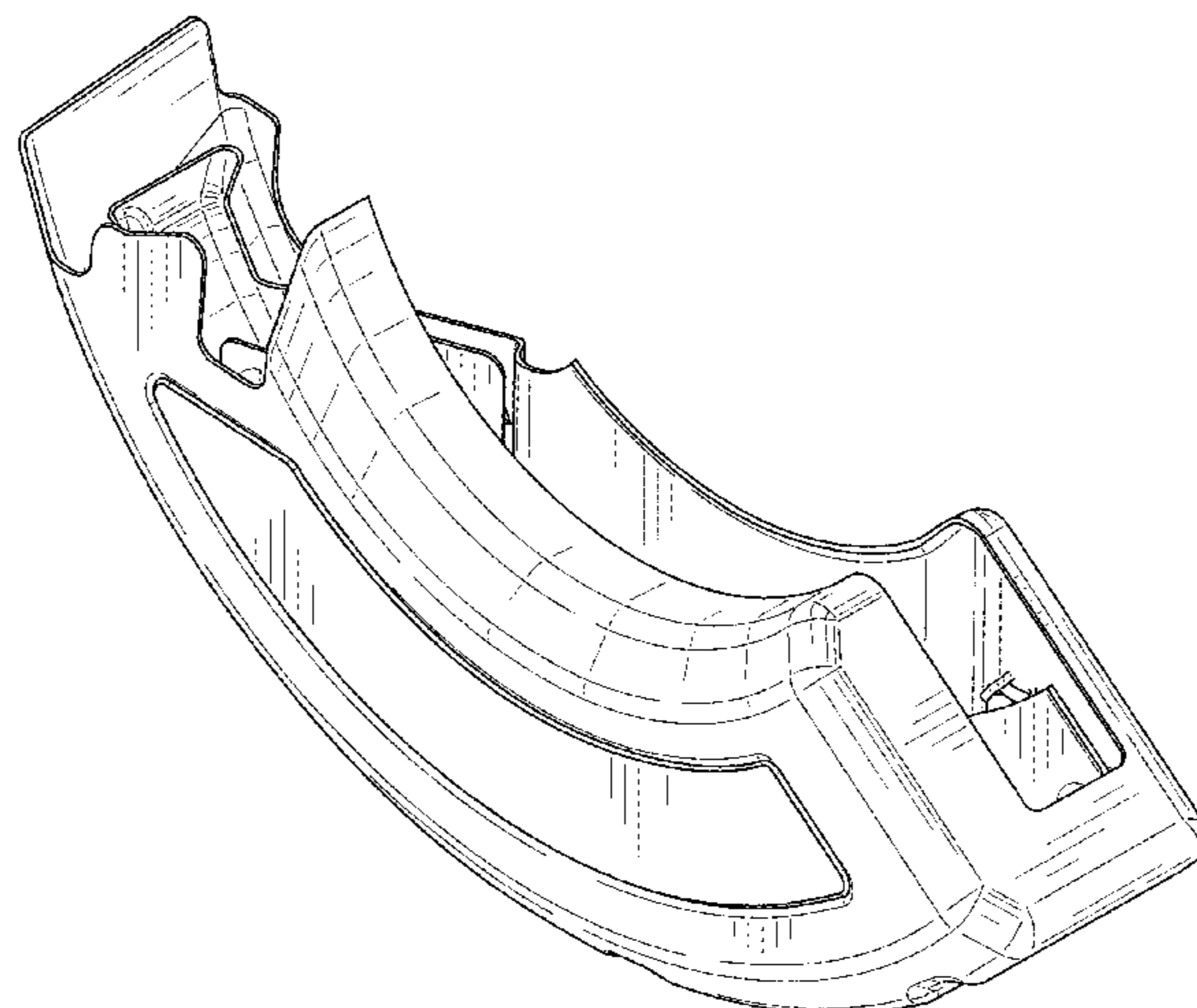
(57) **CLAIM**

We claim the ornamental design for a brake dust filter, as shown and described.

DESCRIPTION

FIG. 1 shows a perspective view of the brake dust filter showing our new design;
FIG. 2 shows a right side elevational view thereof;
FIG. 3 shows a left side elevational view thereof;
FIG. 4 shows a rear elevational view thereof;
FIG. 5 shows a front elevational view thereof;
FIG. 6. shows a top plan view thereof;
FIG. 7 shows a bottom plan view thereof; and,
FIG. 8 shows a rear perspective view thereof.

1 Claim, 8 Drawing Sheets



(56)

References Cited

U.S. PATENT DOCUMENTS

D921,547 S * 6/2021 Barland D12/180
2016/0375393 A1 * 12/2016 Nagel B01D 46/0086
95/1
2021/0246953 A1 * 8/2021 Bock B60T 17/221
2021/0356006 A1 * 11/2021 D'Alessio F16D 65/0068

OTHER PUBLICATIONS

“Brake Dust Filter” MANN+HUMMEL., posted date Sep. 24, 2018 [online], [retrieved on Nov. 18, 2021]. Retrieved from the Internet <URL:https://www.oemoffhighway.com/drivetrains/brake-system/press-release/21023734/mann-hummel-usa-inc-mannhummel-successfully-tests-brake-dust-particle-filter> (Year: 2018).*

“Truck Brake Dust Filters” MANN+HUMMEL., posted date Oct. 11, 2018 [online], [retrieved on Nov. 18, 2021]. Retrieved from the Internet <URL:https://www.trucks.com/2018/10/11/truck-brake-dust-filters-provide-clean-air/> (Year: 2018).*

* cited by examiner

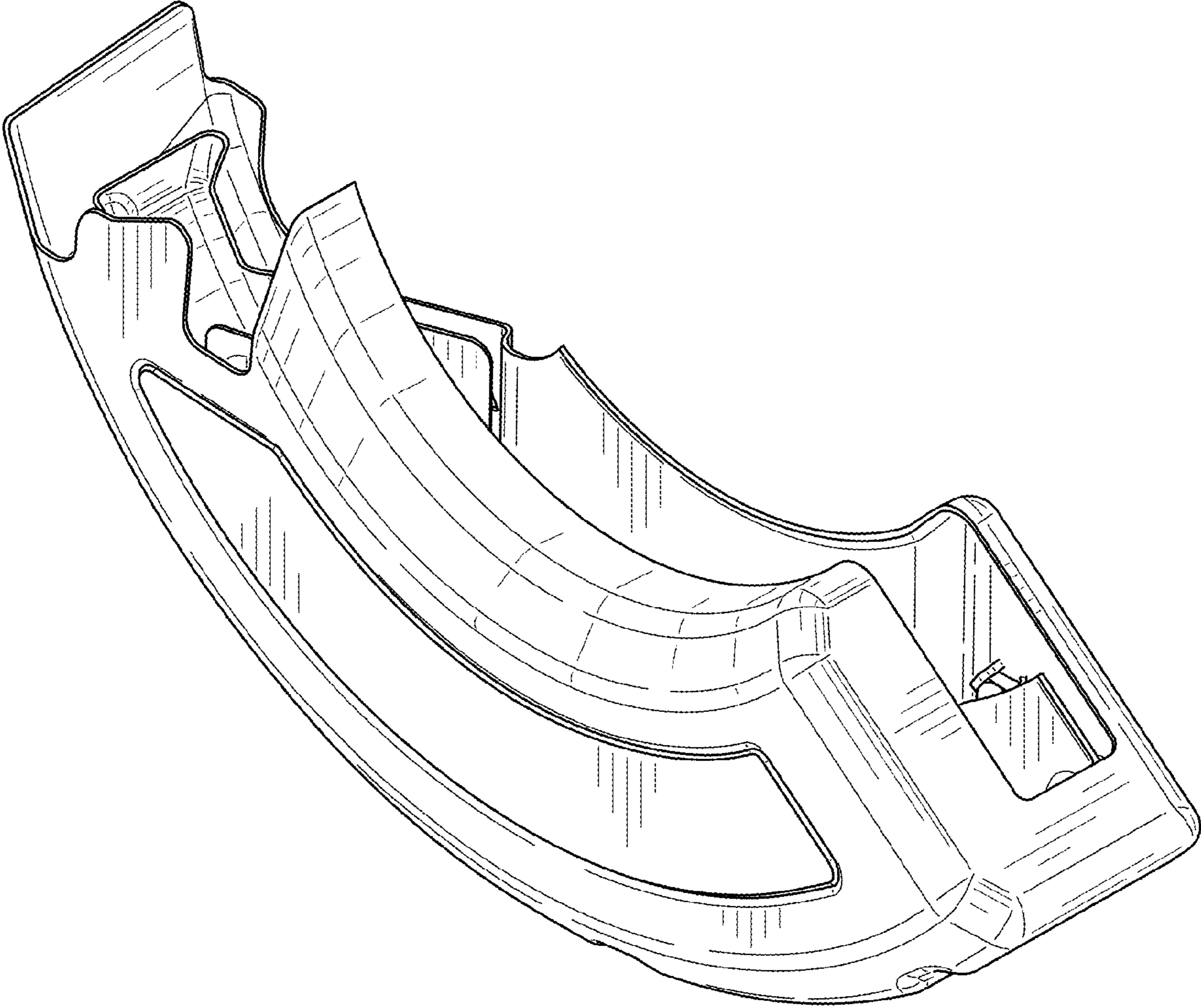


FIG. 1

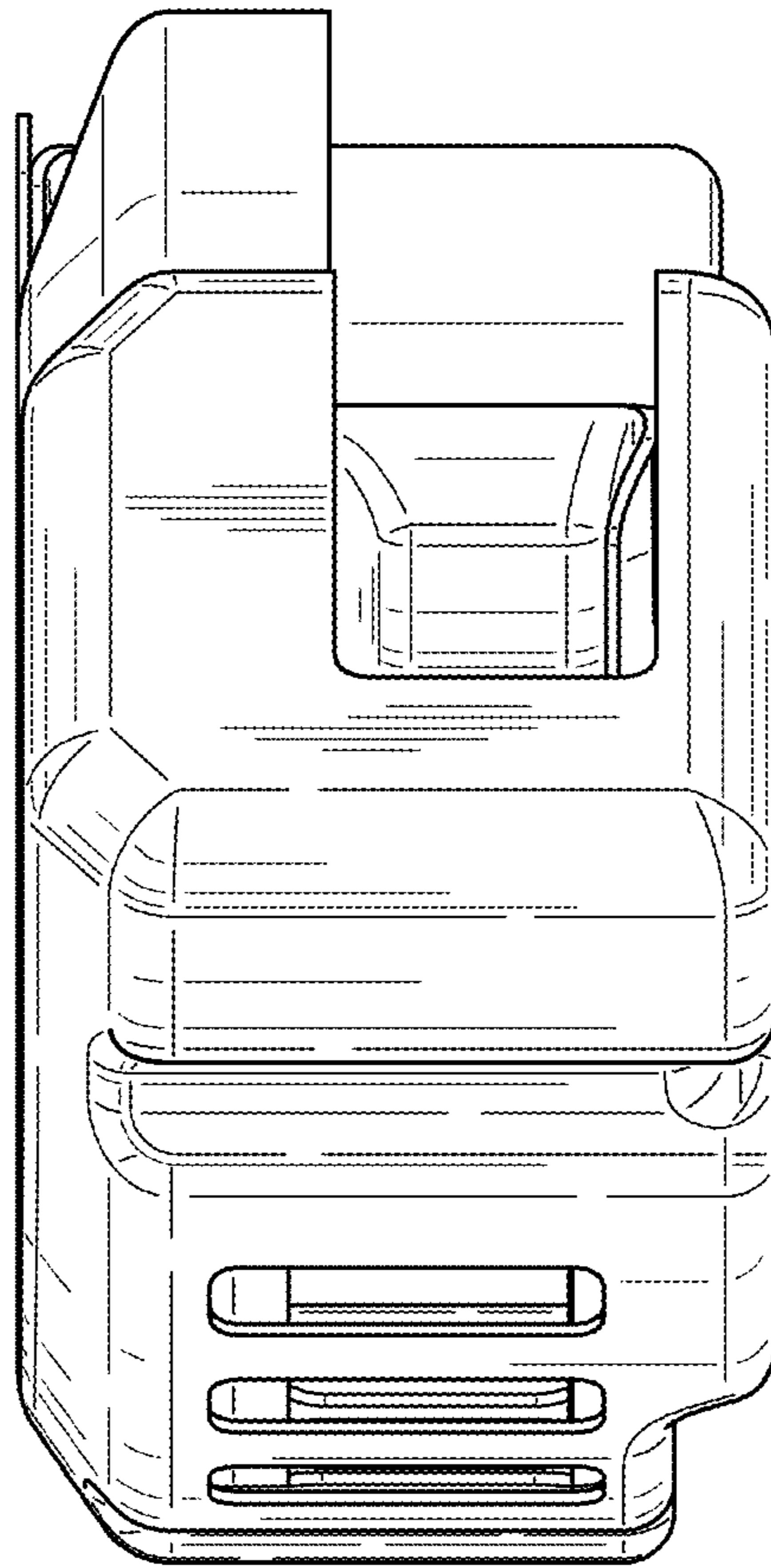


FIG. 2

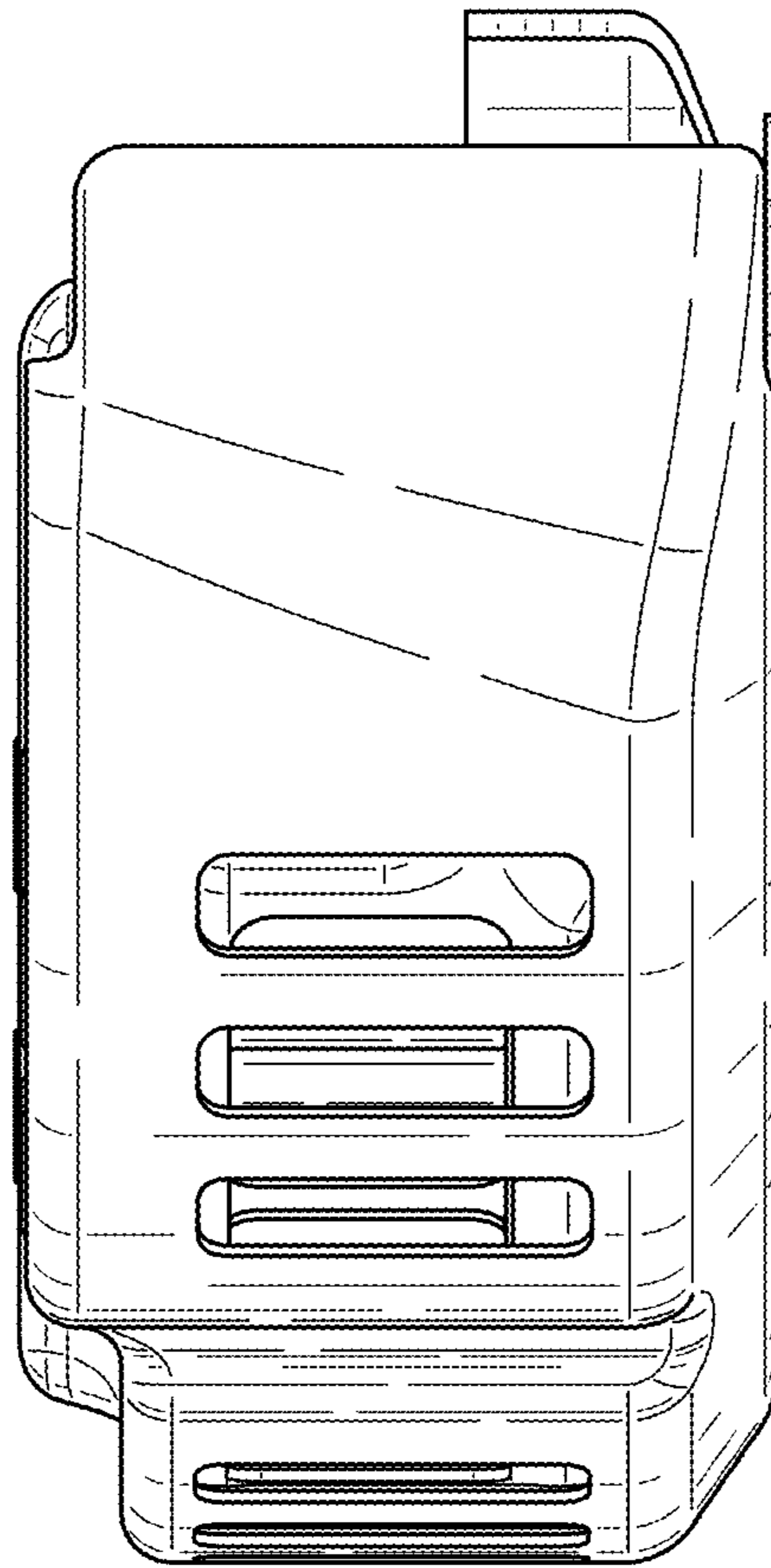


FIG. 3

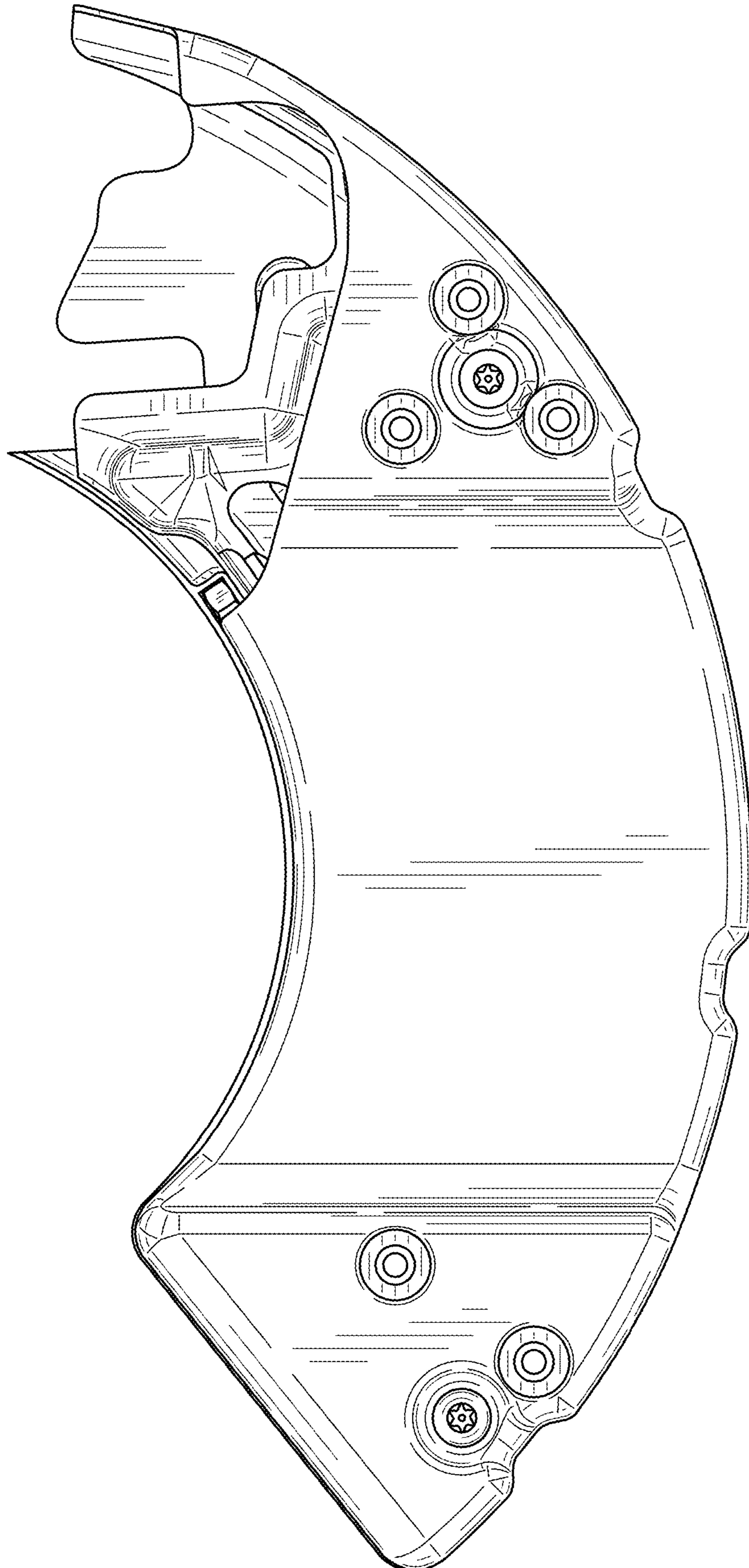


FIG. 4

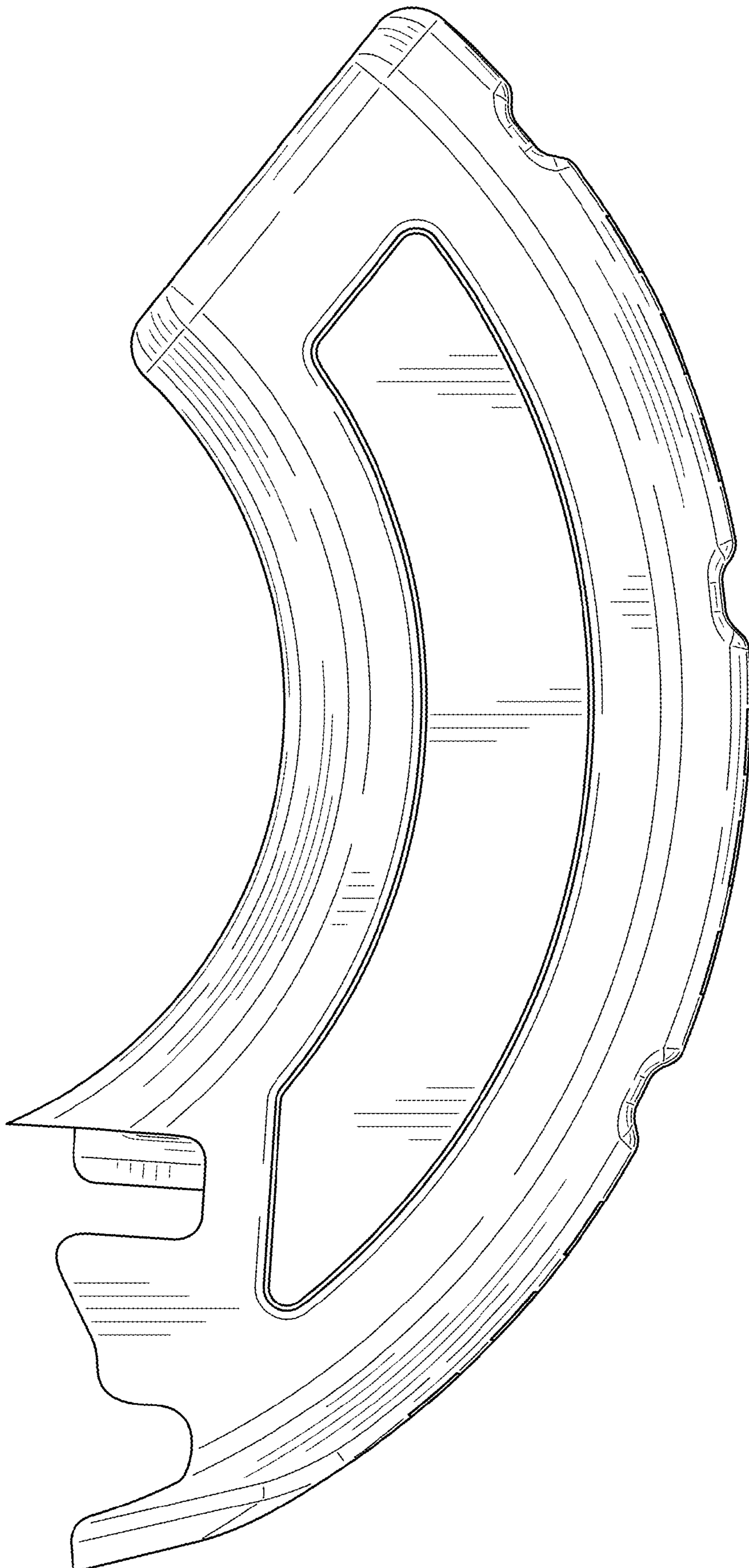


FIG. 5

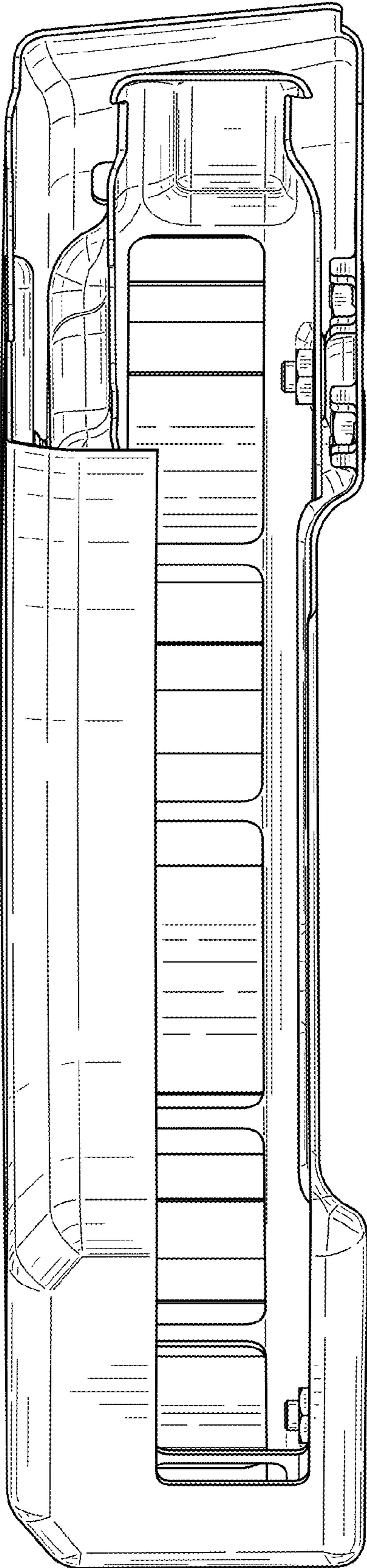


FIG. 6

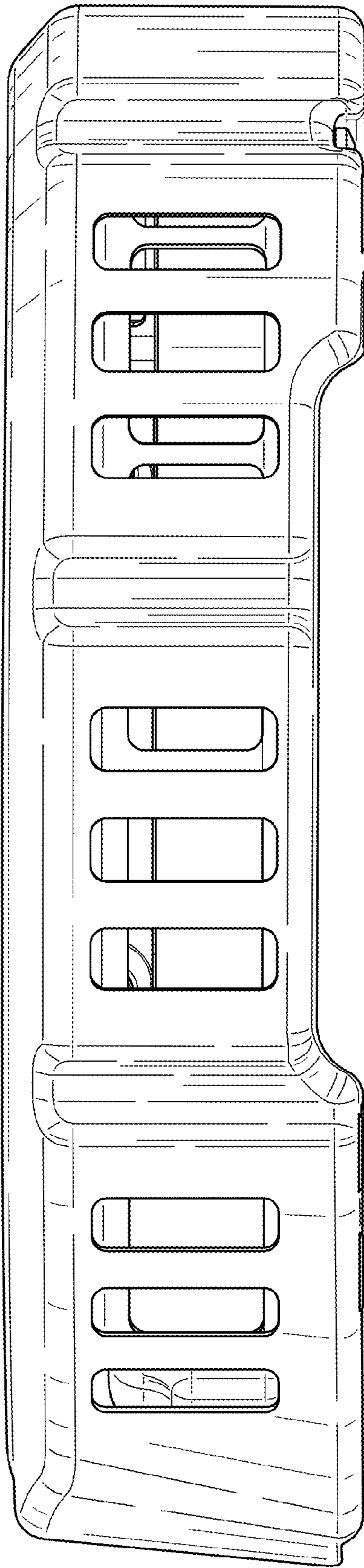


FIG. 7

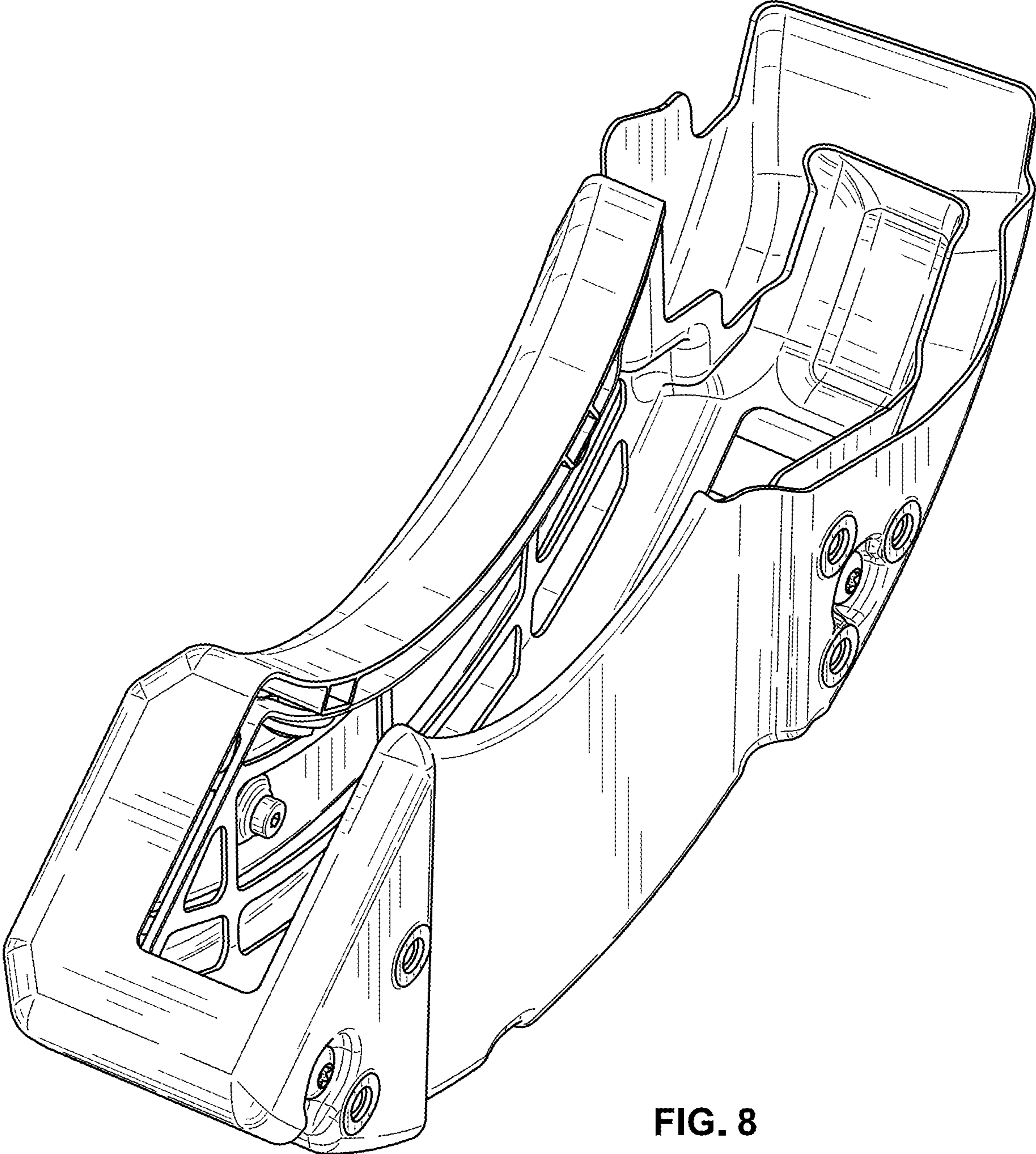


FIG. 8