



US00D947732S

(12) **United States Design Patent**
Hipps et al.

(10) **Patent No.:** **US D947,732 S**

(45) **Date of Patent:** **** Apr. 5, 2022**

(54) **HOOD FOR AN OFF-ROAD VEHICLE**

7,950,486 B2 * 5/2011 Van Bronkhorst .. B60G 17/021
180/89.11

(71) Applicant: **Polaris Industries Inc.**, Medina, MN
(US)

D640,171 S * 6/2011 Danisi D12/87
D650,311 S * 12/2011 Bracy D12/87

(Continued)

(72) Inventors: **Tristan M. Hipps**, Buffalo, MN (US);
Garth H. Bracy, Robbinsdale, MN
(US)

FOREIGN PATENT DOCUMENTS

(73) Assignee: **Polaris Industries Inc.**, Medina, MN
(US)

WO 2016/099770 A2 6/2016
WO 2019/183051 A1 9/2019

OTHER PUBLICATIONS

(**) Term: **15 Years**

RZR Pro XP Sport, Published date unavailable [online], [retrieved
on Jul. 25, 2021], Retrieved from the Internet: <https://rZR.polaris.com/en-US/rZR-pro-xp-sport-rockford-fosgate-le/build-color/> (Year:
2021).*

(Continued)

(21) Appl. No.: **29/745,179**

(22) Filed: **Aug. 4, 2020**

(51) **LOC (13) Cl.** **12-08**

(52) **U.S. Cl.**
USPC **D12/173**

(58) **Field of Classification Search**
USPC ... D12/1, 14, 82, 86, 87, 89, 90, 91, 92, 93,
D12/96, 97, 98, 99, 164, 167, 169, 170,
D12/171, 172, 173, 181, 184, 185, 190,
D12/192, 196, 400; D21/533, 548, 552,
D21/561

CPC B62D 25/02; B62D 25/10; B62D 25/12;
B62D 25/105; B62D 25/08; B62D
23/005; B60R 19/00

See application file for complete search history.

Primary Examiner — Cary M Robinson

Assistant Examiner — Adam C Mager

(74) *Attorney, Agent, or Firm* — Faegre Drinker Biddle &
Reath LLP

(57) **CLAIM**

We claim the ornamental design for the hood for an off-road
vehicle, as shown and described.

DESCRIPTION

FIG. 1 is a left front perspective view of a hood for an
off-road vehicle;

FIG. 2 is a right rear perspective view thereof;

FIG. 3 is a front view thereof;

FIG. 4 is a rear view thereof;

FIG. 5 is a top view thereof;

FIG. 6 is a bottom view thereof; and,

FIG. 7 is a left side view thereof, where a right side view
thereof is identical to the left side view.

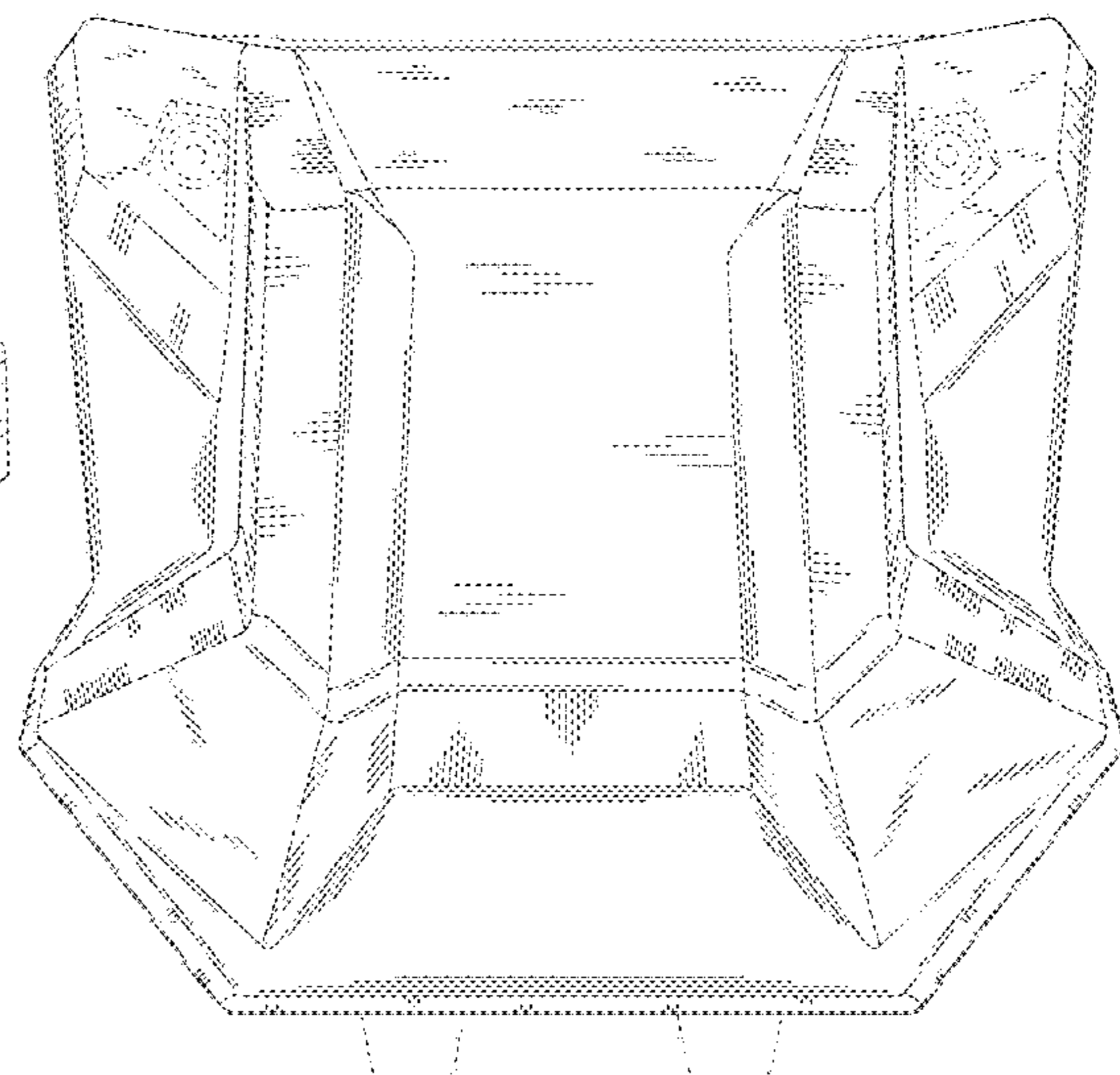
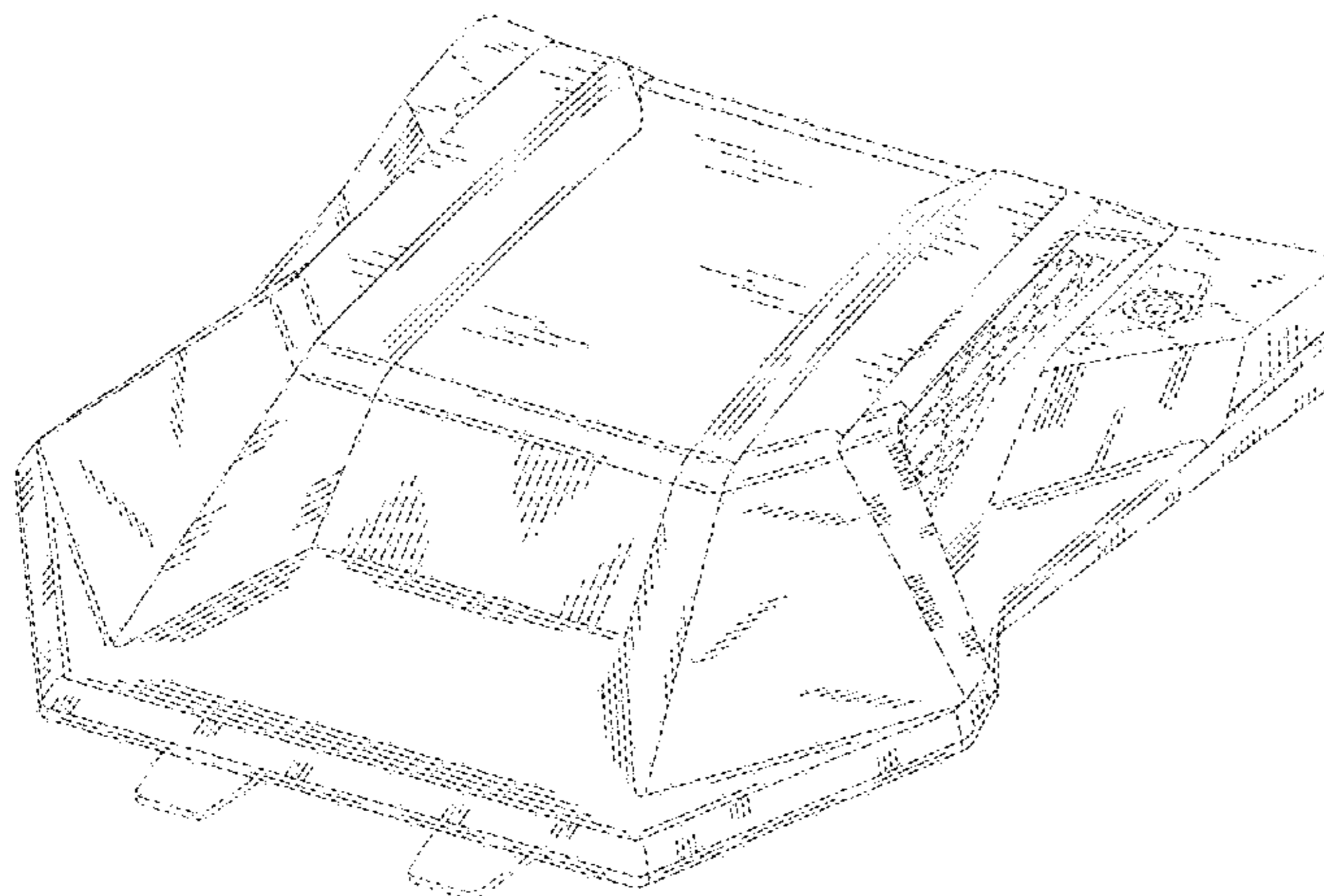
The portions of the hood for an off-road vehicle shown in
broken lines form no part of the claimed design.

1 Claim, 7 Drawing Sheets

(56) **References Cited**

U.S. PATENT DOCUMENTS

4,284,158 A	8/1981	Schild	
5,992,926 A	11/1999	Christofaro et al.	
D555,036 S *	11/2007	Eck	D12/87
7,645,452 B2	1/2010	Thompson	
D622,631 S *	8/2010	Lai	D12/87
7,845,452 B2	12/2010	Bennett	
D631,395 S *	1/2011	Tandrup	D12/14
D631,792 S *	2/2011	Sanschagrin	D12/14
D633,006 S *	2/2011	Sanschagrin	D12/1
D636,295 S *	4/2011	Eck	D12/1



(56)

References Cited

U.S. PATENT DOCUMENTS

D660,746 S * 5/2012 Bracy D12/87
 D662,855 S * 7/2012 Wang D12/87
 D670,198 S * 11/2012 Li D12/14
 D679,627 S * 4/2013 Li D12/14
 D682,737 S * 5/2013 Li D12/14
 D689,396 S * 9/2013 Wang D12/14
 D694,668 S * 12/2013 Li D12/14
 D699,627 S * 2/2014 Tang D12/14
 D700,869 S * 3/2014 Sato D12/14
 D701,469 S * 3/2014 Lai D12/87
 D703,102 S * 4/2014 Eck D12/87
 D712,311 S 9/2014 Morgan et al.
 D717,695 S * 11/2014 Matsumura D12/14
 D727,794 S * 4/2015 Tandrup D12/87
 D730,239 S * 5/2015 Gonzalez D12/14
 D735,077 S * 7/2015 Sato D12/87
 D737,724 S * 9/2015 Schroeder D12/87
 D756,845 S * 5/2016 Flores D12/87
 D762,522 S * 8/2016 Kinoshita D12/87
 D763,732 S * 8/2016 Okuyama D12/14
 D784,199 S * 4/2017 Dunshee D12/14
 D785,502 S * 5/2017 Dunshee D12/14
 D804,993 S * 12/2017 Eck D12/87
 D835,545 S * 12/2018 Hanten D12/87
 10,259,507 B1 4/2019 Johnson et al.
 D896,125 S * 9/2020 Hashimoto D12/14
 D896,702 S * 9/2020 Dunshee D12/87
 D896,703 S * 9/2020 Dunshee D12/87
 D904,227 S 12/2020 Bracy
 D913,847 S * 3/2021 Hashimoto D12/87
 2011/0012334 A1 1/2011 Malmberg
 2011/0298189 A1* 12/2011 Schneider B60R 21/13
 280/80.1

2012/0193163 A1 8/2012 Wimpfheimer
 2014/0090935 A1 4/2014 Pongo
 2014/0124279 A1* 5/2014 Schlangen B60G 13/003
 180/68.4
 2014/0224561 A1* 8/2014 Shinbori B62D 7/12
 180/253
 2015/0041237 A1* 2/2015 Nadeau B60K 5/00
 180/292
 2016/0167715 A1* 6/2016 Kosuge B62D 25/12
 296/181.1
 2016/0176284 A1* 6/2016 Nugteren F02B 37/16
 180/309
 2016/0339960 A1 11/2016 Leonard et al.
 2017/0166255 A1* 6/2017 Peterson B60R 21/13
 2017/0233022 A1* 8/2017 Marko B62D 5/0442
 180/210
 2018/0118053 A1 5/2018 Sundahl
 2018/0178677 A1* 6/2018 Swain B62D 21/183
 2018/0312025 A1* 11/2018 Danielson B60K 13/02
 2018/0326843 A1* 11/2018 Danielson B60K 17/24
 2020/0346542 A1 11/2020 Rasa
 2021/0023936 A1* 1/2021 Marietta B60Q 1/0041
 2021/0094627 A1 4/2021 Clark et al.

OTHER PUBLICATIONS

Can-Am Maverick Sport 60" (front deflector panel for hot radiator air, 2019.
 International Preliminary Report on Patentability issued by the International Searching Authority, dated May 6, 2021, for International Patent Application No. PCT/US2020/030518; 27 pages.
 International Search Report and Written Opinion issued by the International Searching Authority, dated Sep. 11, 2020, for International Patent Application No. PCT/US2020/030518; 12 pages.

* cited by examiner

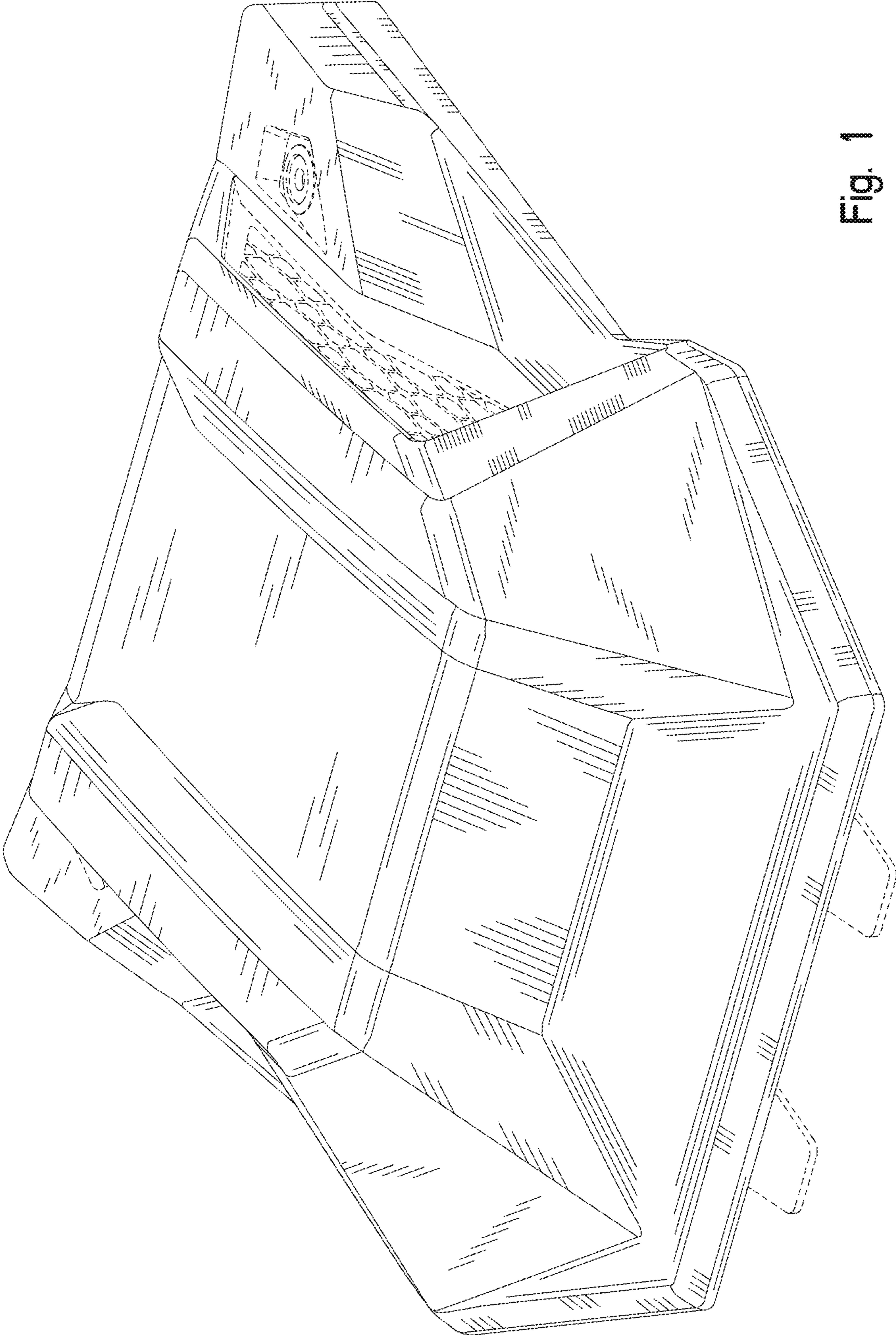


Fig. 1

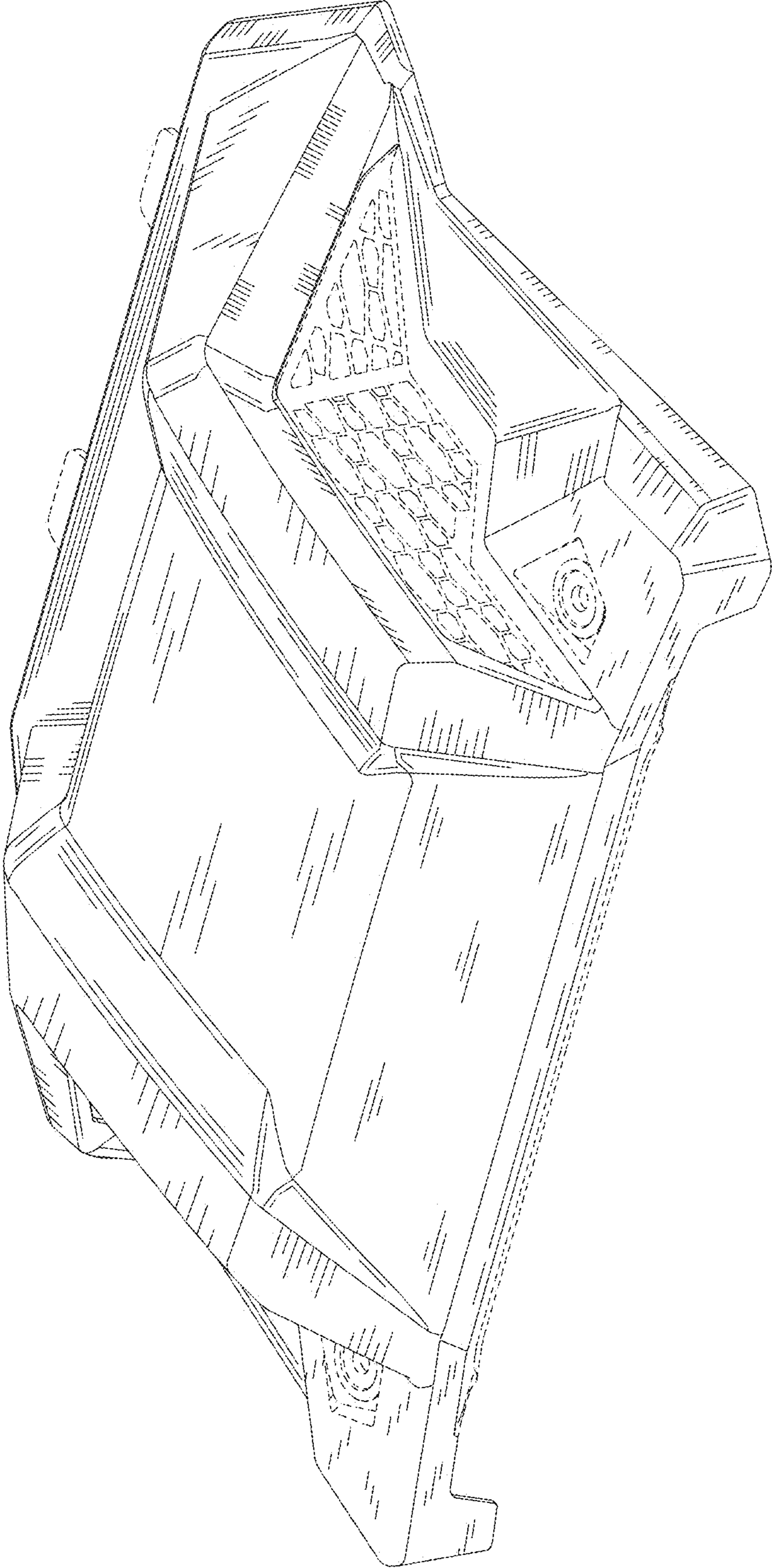


Fig. 2

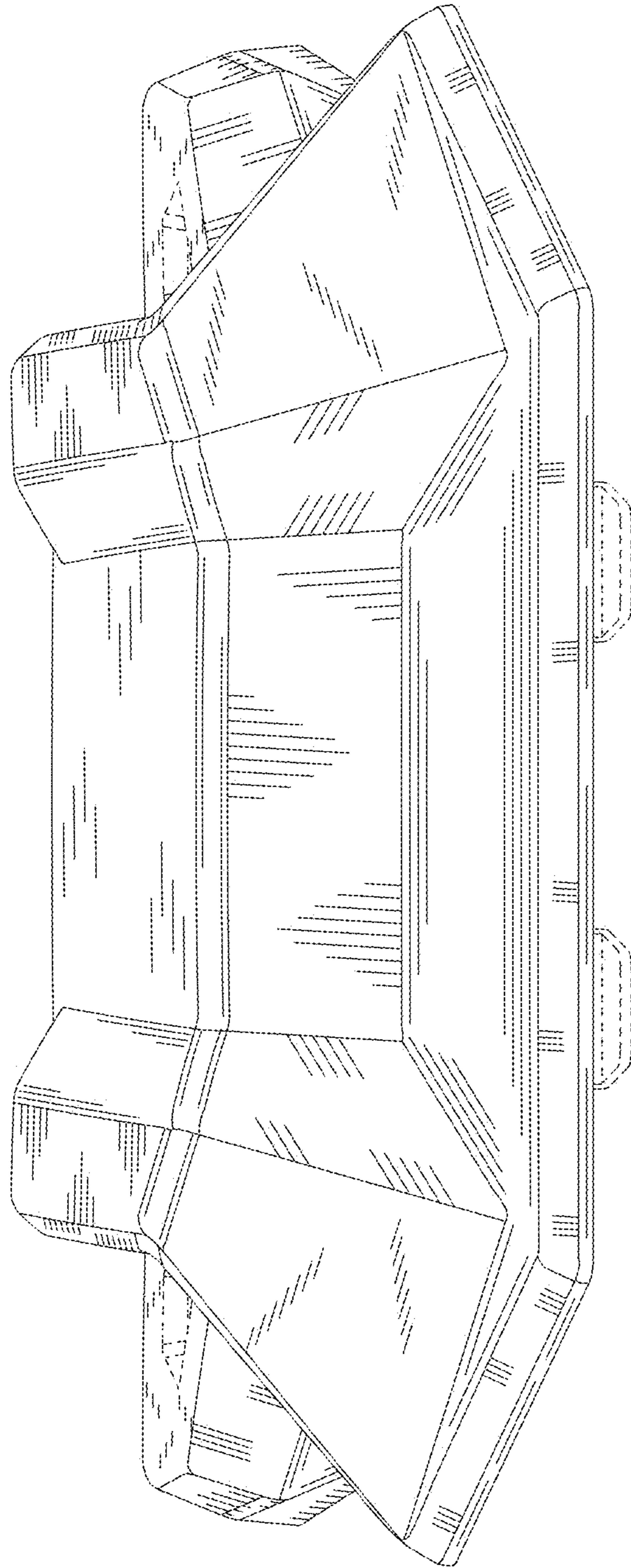


Fig. 3

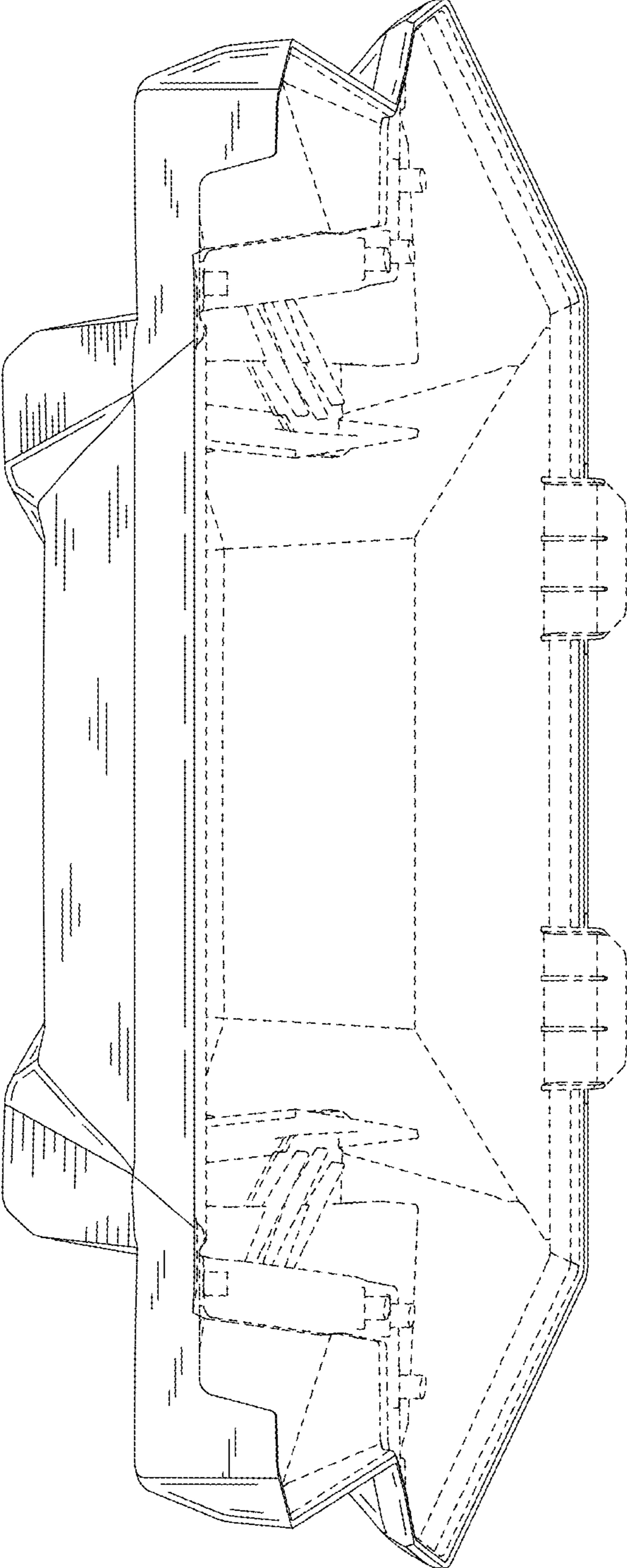


Fig. 4

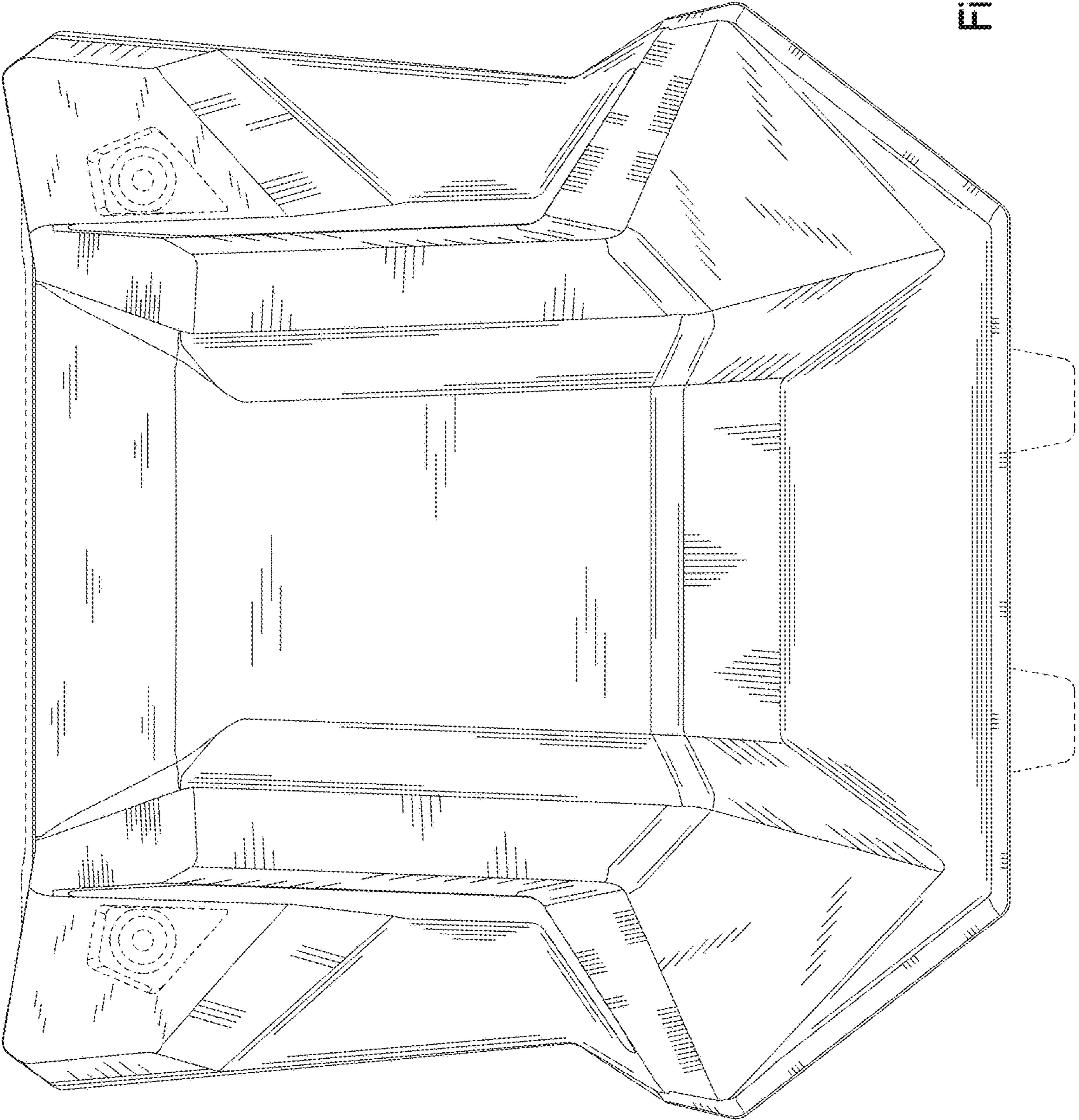
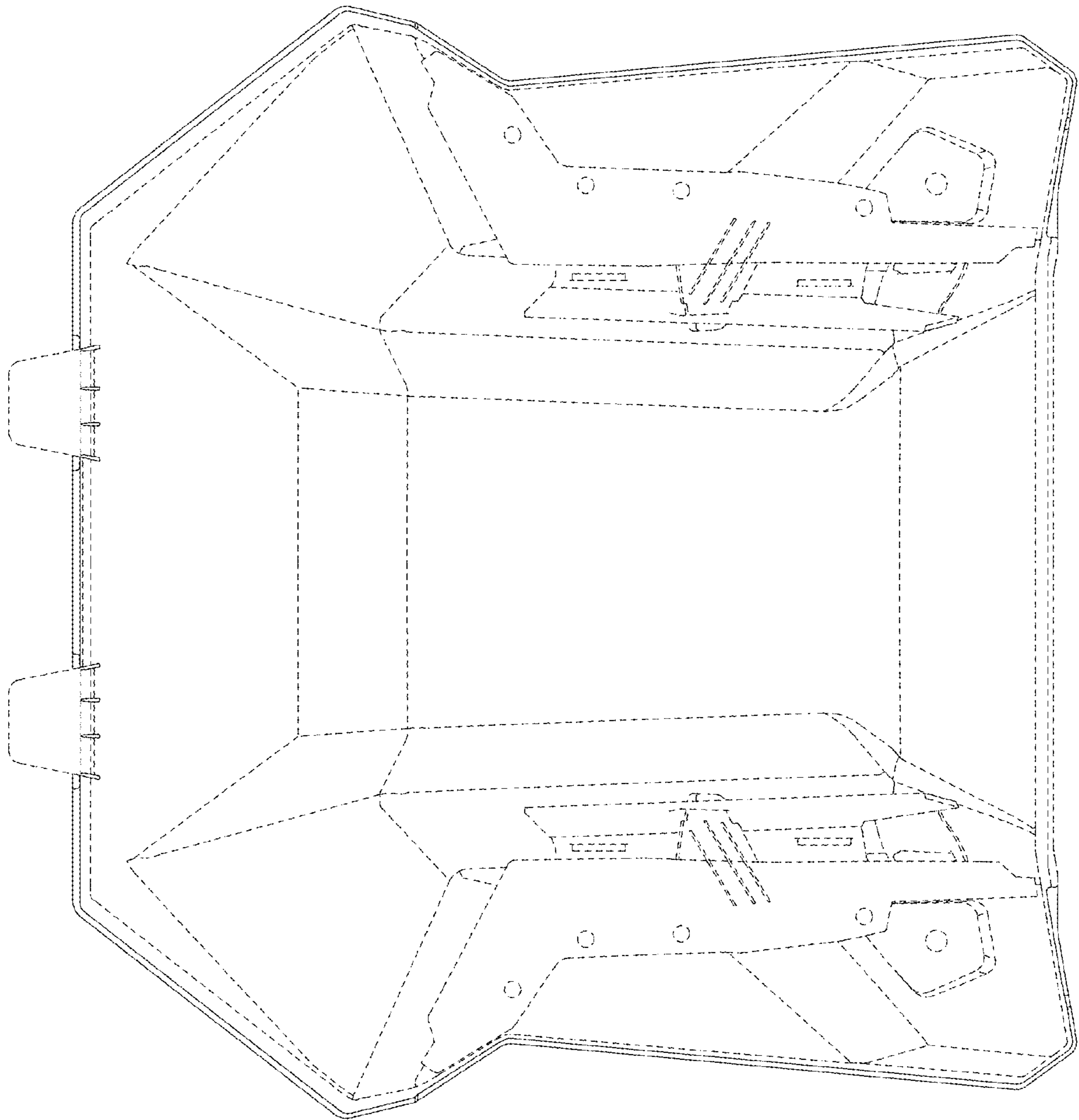


Fig. 5

Fig. 6



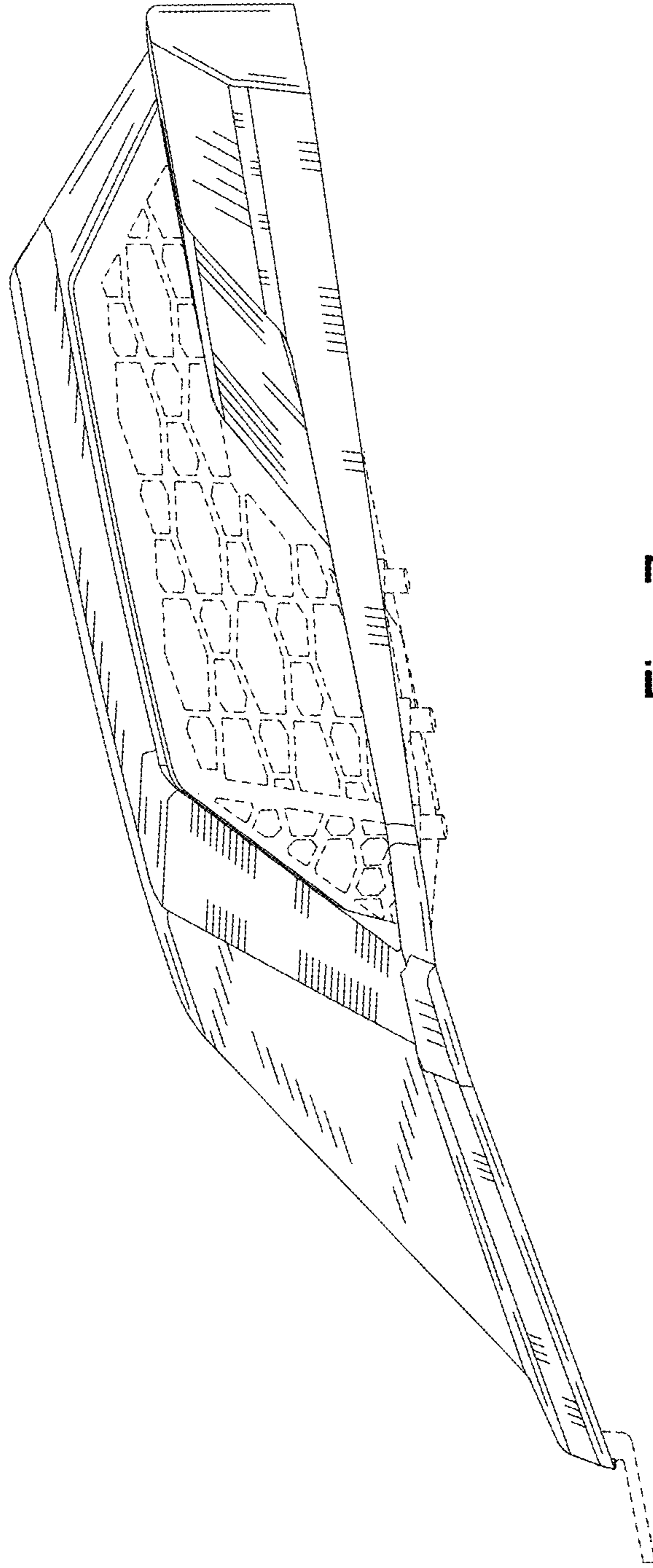


Fig. 7