



US00D947724S

(12) **United States Design Patent**
Wang et al.

(10) **Patent No.:** **US D947,724 S**

(45) **Date of Patent:** **** *Apr. 5, 2022**

(54) **BICYCLE FRAME**

(71) Applicant: **Specialized Bicycle Components, Inc.**,
Morgan Hill, CA (US)

(72) Inventors: **Bo Wang**, Taichung (TW); **John
McInnis**, San Mateo, CA (US)

(73) Assignee: **SPECIALIZED BICYCLE
COMPONENTS, INC.**, Morgan Hill,
CA (US)

(*) Notice: This patent is subject to a terminal dis-
claimer.

(**) Term: **15 Years**

(21) Appl. No.: **29/752,627**

(22) Filed: **Sep. 28, 2020**

(51) **LOC (13) Cl.** **12-11**

(52) **U.S. Cl.**
USPC **D12/111**

(58) **Field of Classification Search**
USPC D12/111, 117; D21/412, 414, 419,
D21/423-428, 431-435
CPC B62K 3/00; B62K 3/02; B62K 3/06
See application file for complete search history.

(56) **References Cited**

U.S. PATENT DOCUMENTS

D419,492 S *	1/2000	Egger	D12/111
D517,452 S *	3/2006	Hickman	D12/111
D632,615 S *	2/2011	Uimonen	D12/111
D637,527 S *	5/2011	Choi	D12/111
D667,347 S *	9/2012	Simko	D12/111
D719,488 S *	12/2014	Stafford	D12/111
D719,880 S *	12/2014	Juarez	D12/111
D726,075 S *	4/2015	D’Aluisio	D12/111
D734,218 S *	7/2015	D’Aluisio	D12/111
D766,136 S *	9/2016	Jankura	D12/111
D797,610 S *	9/2017	Jankura	D12/111

D858,359 S *	9/2019	Lentz	D12/111
D865,574 S *	11/2019	Russell	D12/111
D885,986 S *	6/2020	Chan	D12/111
D906,893 S *	1/2021	Lin	D12/111
D908,046 S *	1/2021	Callahan	D12/111
D909,921 S *	2/2021	Stafford	D12/111
D923,519 S *	6/2021	Hafner	D12/111

FOREIGN PATENT DOCUMENTS

IN 327227-001-0001 * 2/2020

OTHER PUBLICATIONS

“SIR 9” Niner Bikes., posted date Jan. 29, 2019 [online], [retrieved
on Aug. 11, 2021]. Retrieved from the Internet <URL:https://www.
ninerbikes.com/products/air-9/> (Year: 2019).*

(Continued)

Primary Examiner — Darlington Ly

Assistant Examiner — Nasim Abdulaziz Ali

(74) *Attorney, Agent, or Firm* — Michael Best &
Friedrich LLP

(57) **CLAIM**

We claim the ornamental design for a bicycle frame, as
shown and described.

DESCRIPTION

FIG. 1 is a perspective view of a bicycle frame embodying
our new design;

FIG. 2 is a right side elevation view thereof;

FIG. 3 is a left side elevation view thereof;

FIG. 4 is a front elevation view thereof;

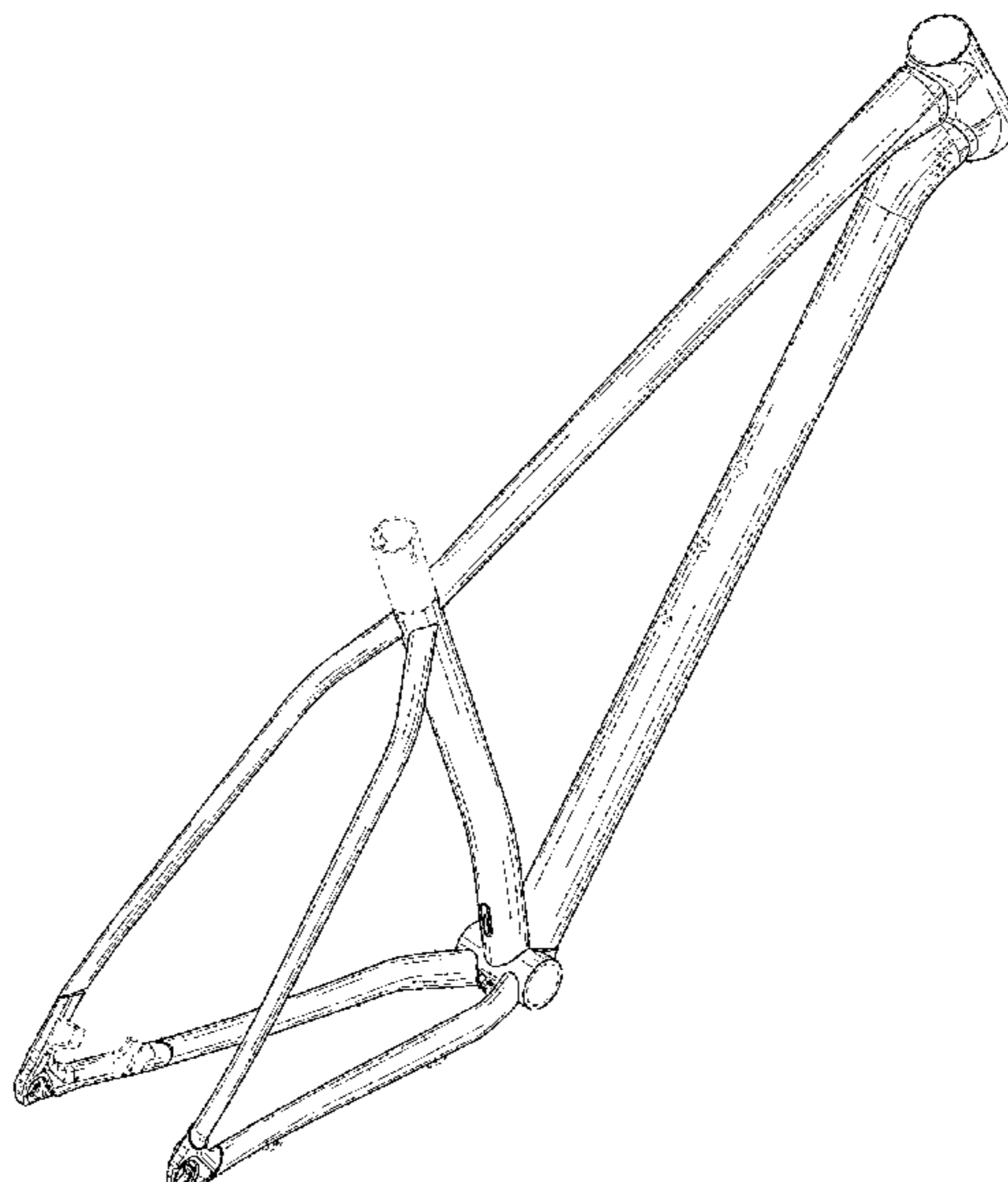
FIG. 5 is a rear elevation view thereof;

FIG. 6 is a top plan view thereof; and,

FIG. 7 is a bottom plan view thereof.

The broken lines in the drawings illustrate portions of the
bicycle frame that form no part of the claimed design.

1 Claim, 7 Drawing Sheets



(56)

References Cited

OTHER PUBLICATIONS

“S-Works Epic Hardtail” Specialized., posted date Jul. 23, 2020 [online], [retrieved on Aug. 11, 2021]. Retrieved from the Internet <URL:<https://www.specialized.com/us/en/s-works-epic-hardtail/p/154340?color=237763-154340>> (Year: 2020).*

“Aethos Pro—SRAM Force eTap AXS” Specialized., posted date Nov. 2, 2017 [online]. [retrieved on Aug. 11, 2021], Retrieved from the Internet <URL:<https://www.specialized.com/hn/en/aethos-pro---sram-force-etap-axs/p/199441?color=322981-199441>> (Year: 2017).*

* cited by examiner

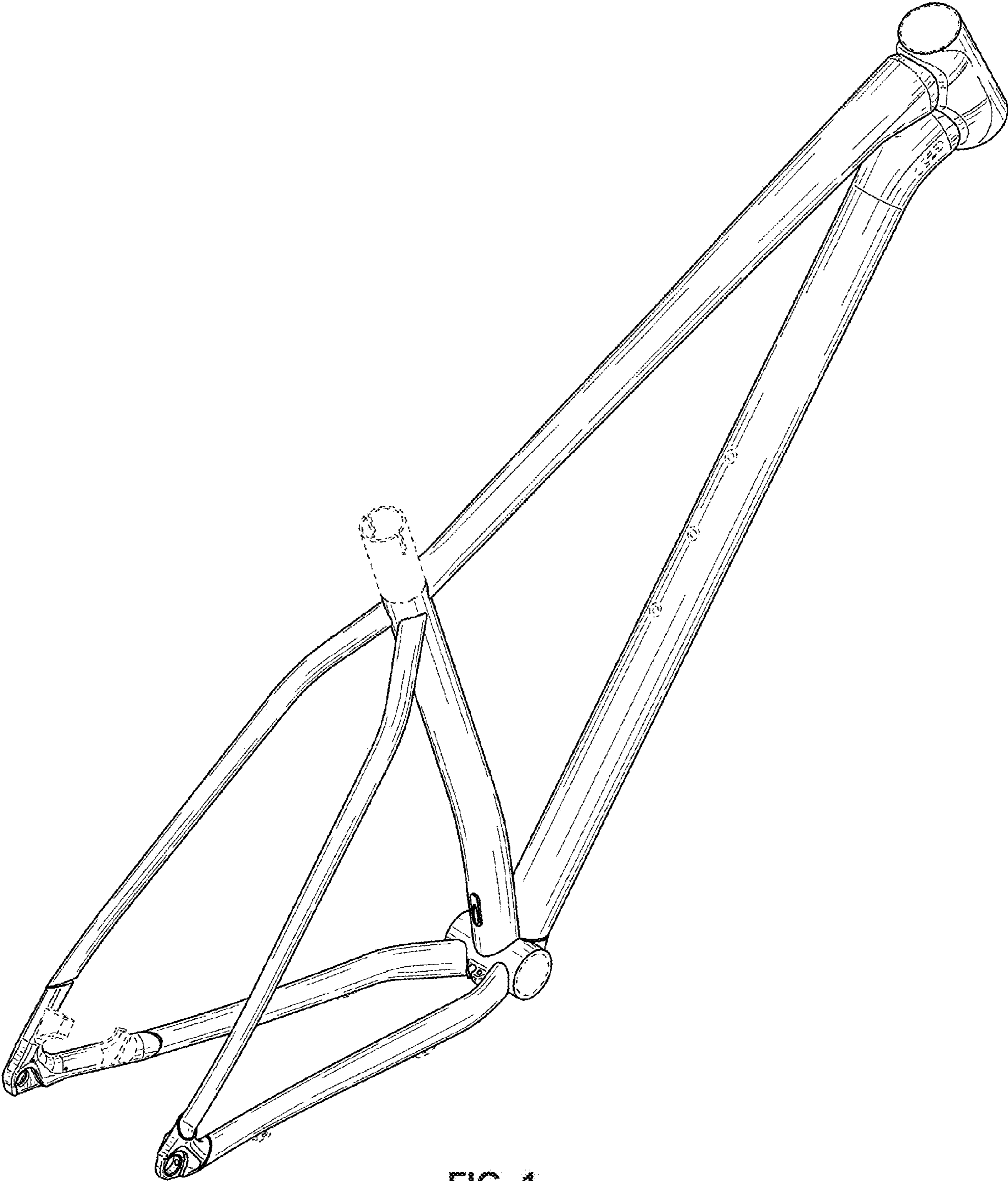


FIG. 1

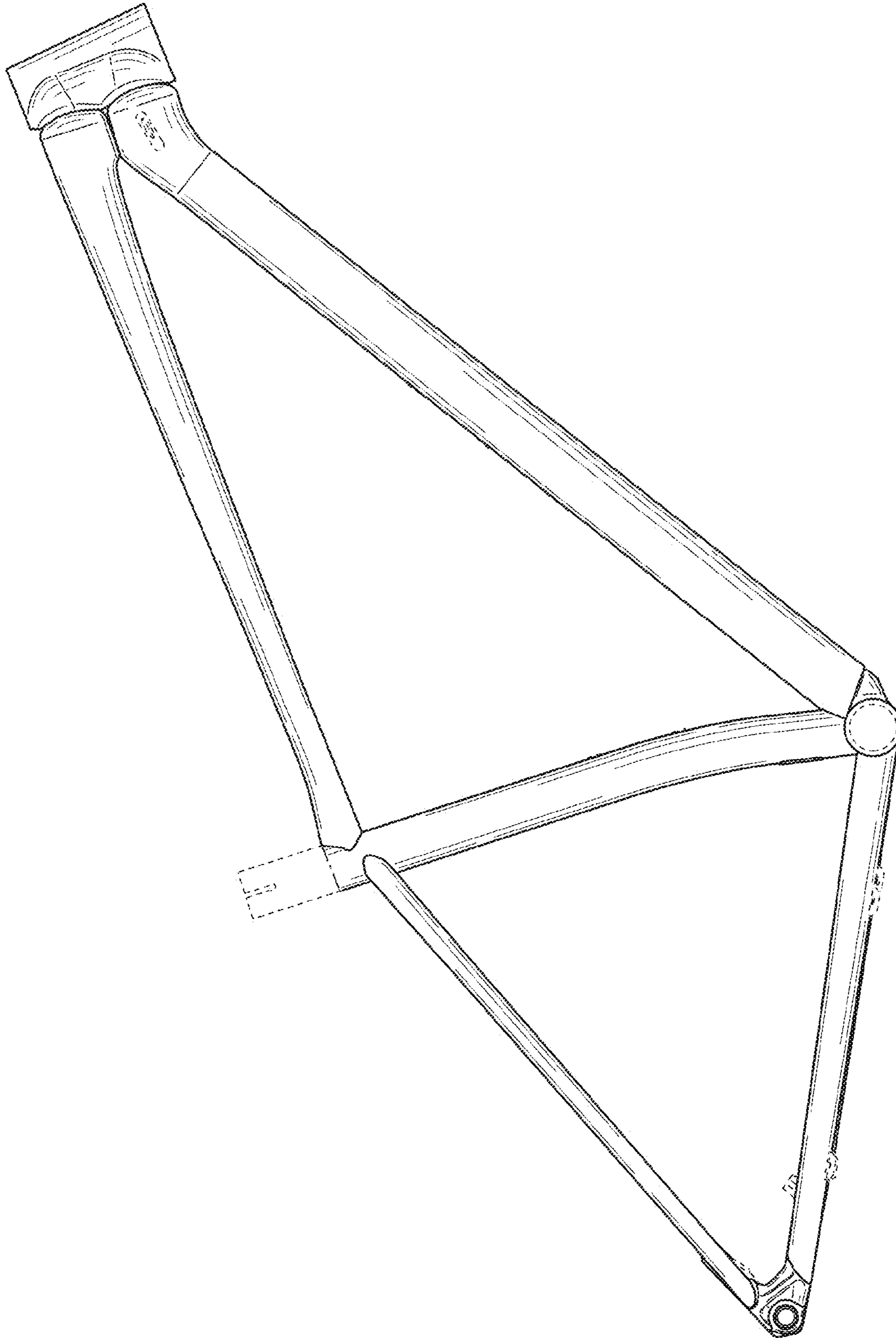


FIG. 2

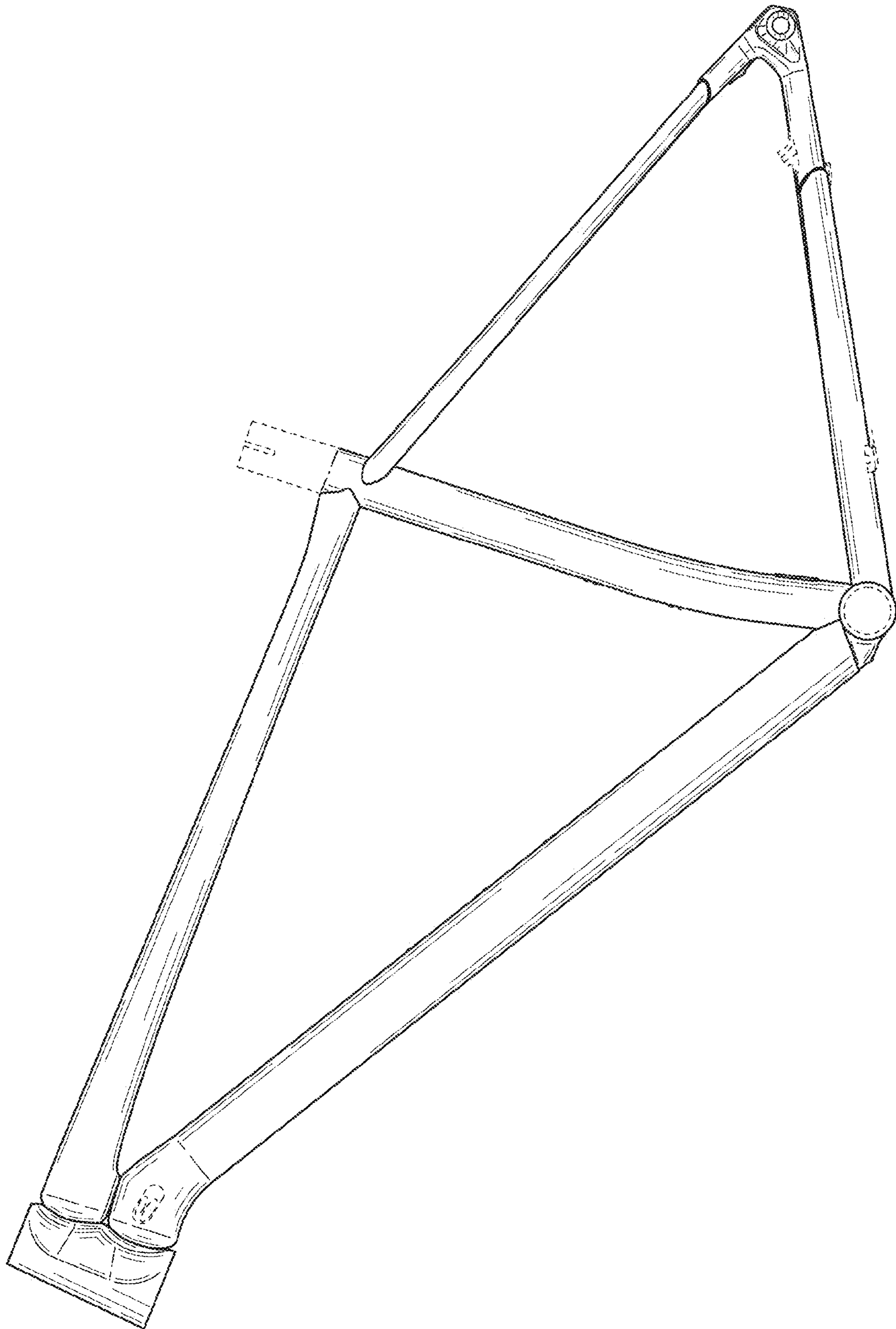


FIG. 3

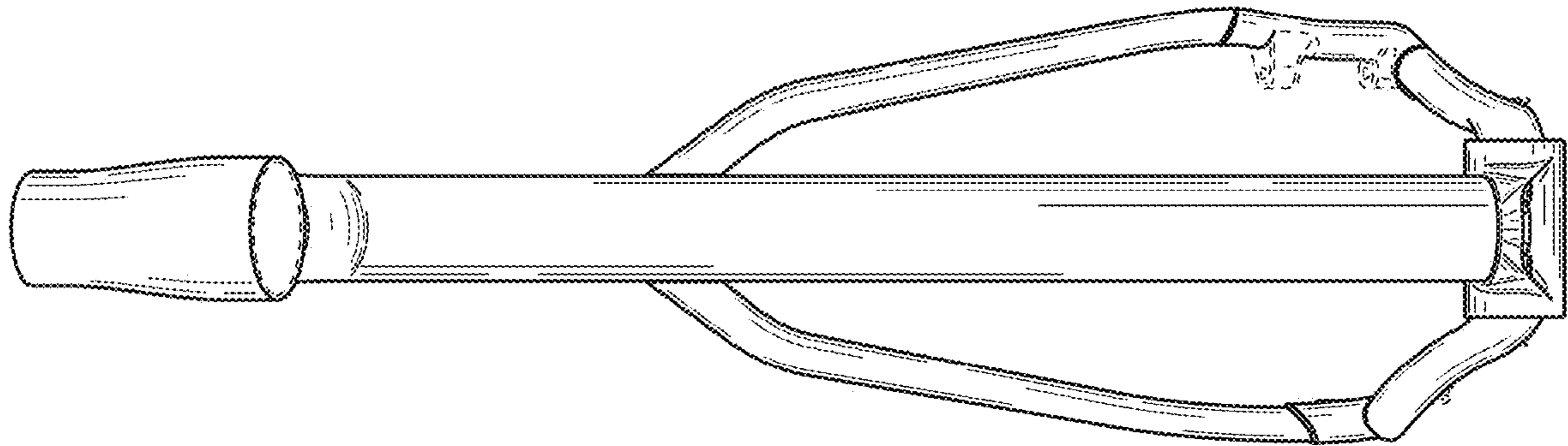


FIG. 4

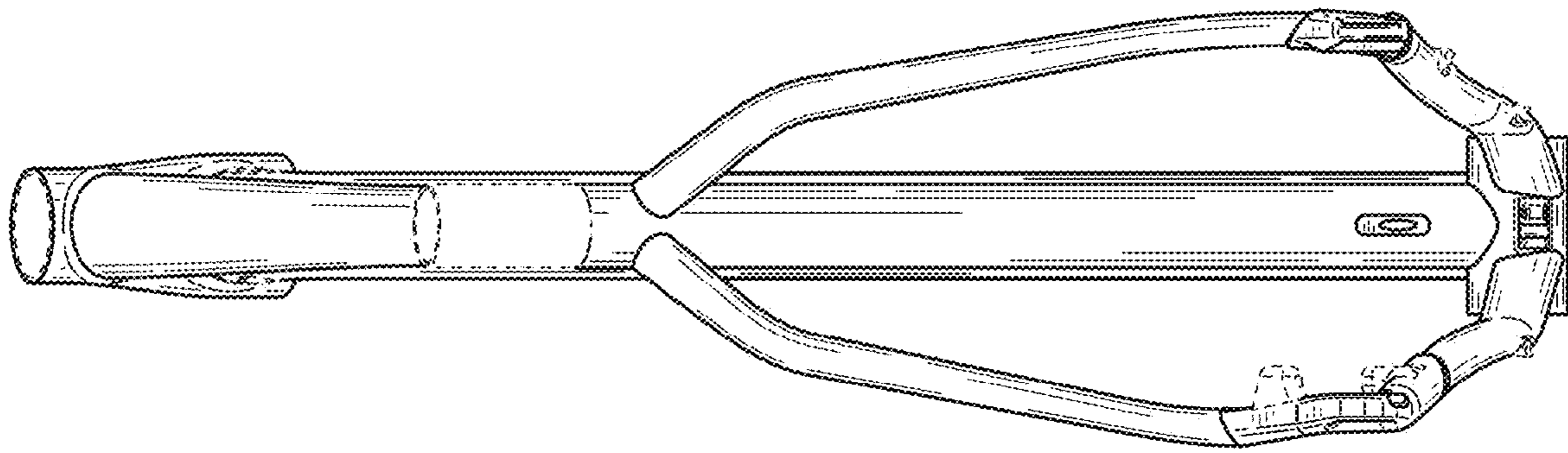


FIG. 5

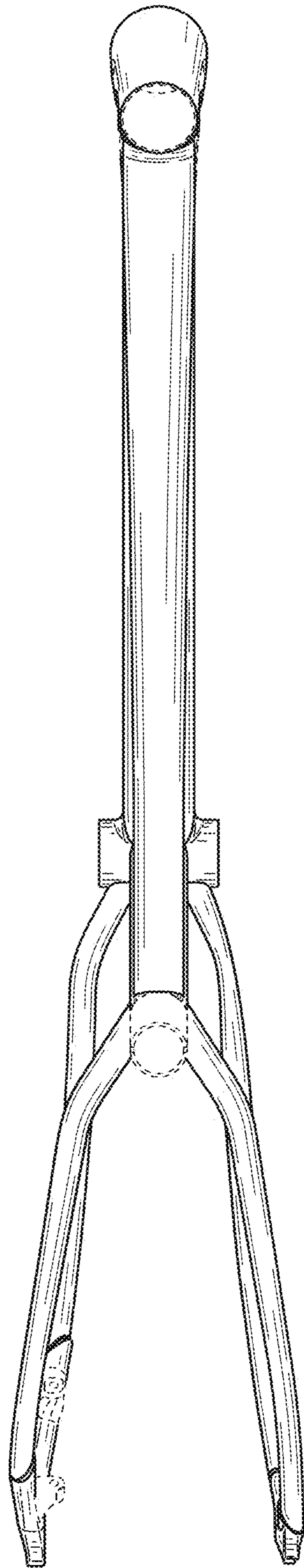


FIG. 6

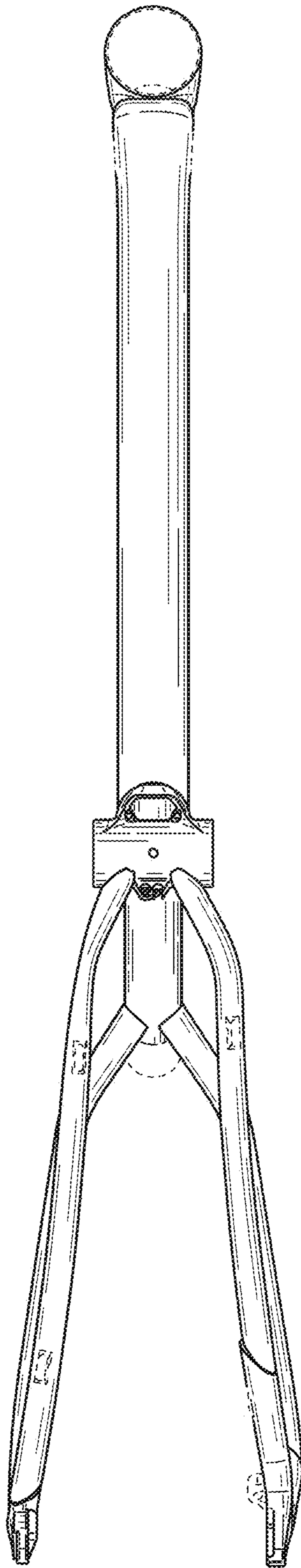


FIG. 7