



US00D947723S

(12) **United States Design Patent**
Hu et al.

(10) **Patent No.:** **US D947,723 S**

(45) **Date of Patent:** **** Apr. 5, 2022**

(54) **ELECTRIC BICYCLE**

(71) Applicant: **Beijing Niu Information Technology Co., Ltd.**, Beijing (CN)

(72) Inventors: **Yilin Hu**, Beijing (CN); **Chuankai Liu**, Beijing (CN); **Xuewu Zhang**, Beijing (CN); **Kai Yang**, Beijing (CN)

(73) Assignee: **BEIJING NIU INFORMATION TECHNOLOGY CO., LTD.**, Beijing (CN)

(**) Term: **15 Years**

(21) Appl. No.: **29/747,885**

(22) Filed: **Aug. 26, 2020**

(30) **Foreign Application Priority Data**

Feb. 27, 2020 (CN) 202030062442.5

(51) **LOC (13) Cl.** **12-11**

(52) **U.S. Cl.**
USPC **D12/111**

(58) **Field of Classification Search**
USPC D12/110, 111, 117; D21/412, 414, 419, D21/423-428, 431-435
CPC B62K 3/00; B62K 3/02; B62K 3/06
See application file for complete search history.

(56) **References Cited**

U.S. PATENT DOCUMENTS

D441,323 S *	5/2001	Cheng	D12/111
D470,438 S *	2/2003	Tateishi	D12/110
D538,714 S *	3/2007	Okuyama	D12/110
D543,903 S *	6/2007	Kashima	D12/110
D644,961 S *	9/2011	Watanabe	D12/110
D662,860 S *	7/2012	Devernay	D12/110
D678,128 S *	3/2013	Lambri	D12/110

D679,223 S *	4/2013	Loasby	D12/110
D730,246 S *	5/2015	Tateishi	D12/110
D742,791 S *	11/2015	Sanderson	D12/110
D761,699 S *	7/2016	Watanabe	D12/110
D806,610 S *	1/2018	Su	D12/110
D830,911 S *	10/2018	Li	D12/110
D838,212 S *	1/2019	David	D12/110
D874,984 S *	2/2020	Luke	D12/110
D932,377 S *	10/2021	Hu	D12/111

(Continued)

OTHER PUBLICATIONS

“UQi GT” Niu., posted date Dec. 25, 2017 [online], [retrieved on Oct. 19, 2021]. Retrieved from the Internet <URL: <https://www.niu.com/en/u-series/specs/>> (Year: 2017).*

(Continued)

Primary Examiner — Darlington Ly

Assistant Examiner — Nasim Abdulaziz Ali

(74) *Attorney, Agent, or Firm* — Robert C. Netter, Jr.; Dann, Dorfman, Herrell & Skillman

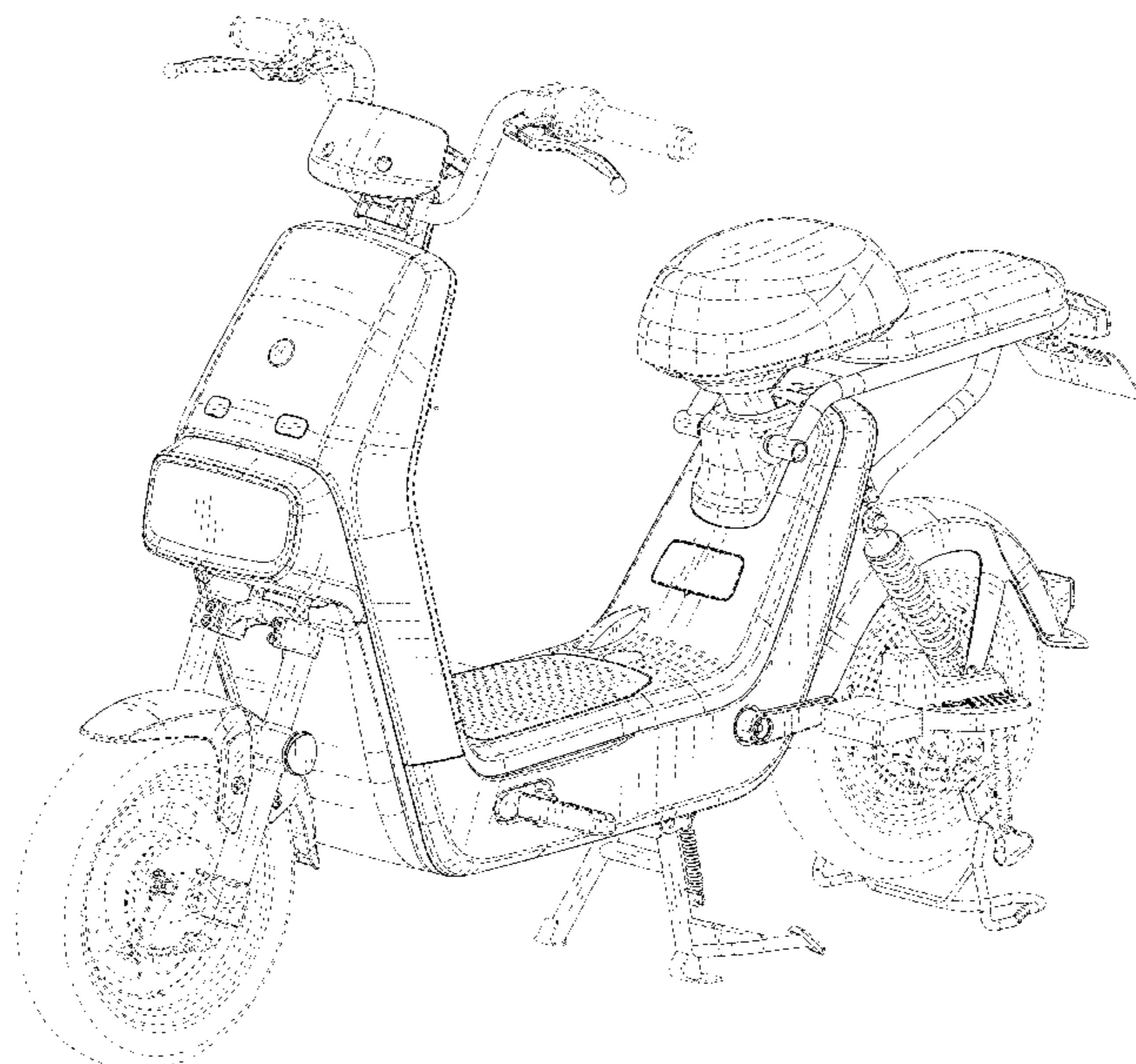
(57) **CLAIM**

We claim the ornamental design for an electric bicycle, as shown and described.

DESCRIPTION

FIG. 1 is a left side elevation view of an electric bicycle embodying our new design;
FIG. 2 is a right side elevation view thereof;
FIG. 3 is a front elevation view thereof;
FIG. 4 is a rear elevation view thereof;
FIG. 5 is a top plan view thereof;
FIG. 6 is a bottom plan view thereof;
FIG. 7 is a front and left side perspective view thereof; and,
FIG. 8 is a rear and right side perspective view thereof.
The broken lines shown in the figures depict portions of the electric bicycle that form no part of the claimed design.

1 Claim, 8 Drawing Sheets



(56)

References Cited

U.S. PATENT DOCUMENTS

D932,378 S * 10/2021 Hu D12/111

OTHER PUBLICATIONS

“Moped-style electric bikes” Electrek., posted date Feb. 15, 2020 [online], [retrieved on Oct. 19, 2021]. Retrieved from the Internet <URL: <https://electrek.co/2020/02/15/moped-style-electric-minibikes-for-2020/>> (Year: 2020).*

“Addmotor Motan M-66 R7 Ebike 20" Electric Bike” Addmotor., posted date Sep. 17, 2021 [online], [retrieved on Oct. 19, 2021]. Retrieved from the Internet <URL: https://www.amazon.com/Addmotor-M-66-R7-Electric-Removable/dp/B09GYDJ9HF?ref_ast_sto_dp&th=1> (Year: 2021).*

“Detel Easy Plus Electric Moped Bike” Detel., posted date Mar. 19, 2021 [online], [retrieved on Oct. 19, 2021]. Retrieved from the Internet <URL: <https://www.rushlane.com/detel-easy-plus-electric-moped-bike-launch-price-12397122.html>> (Year: 2021).*

* cited by examiner

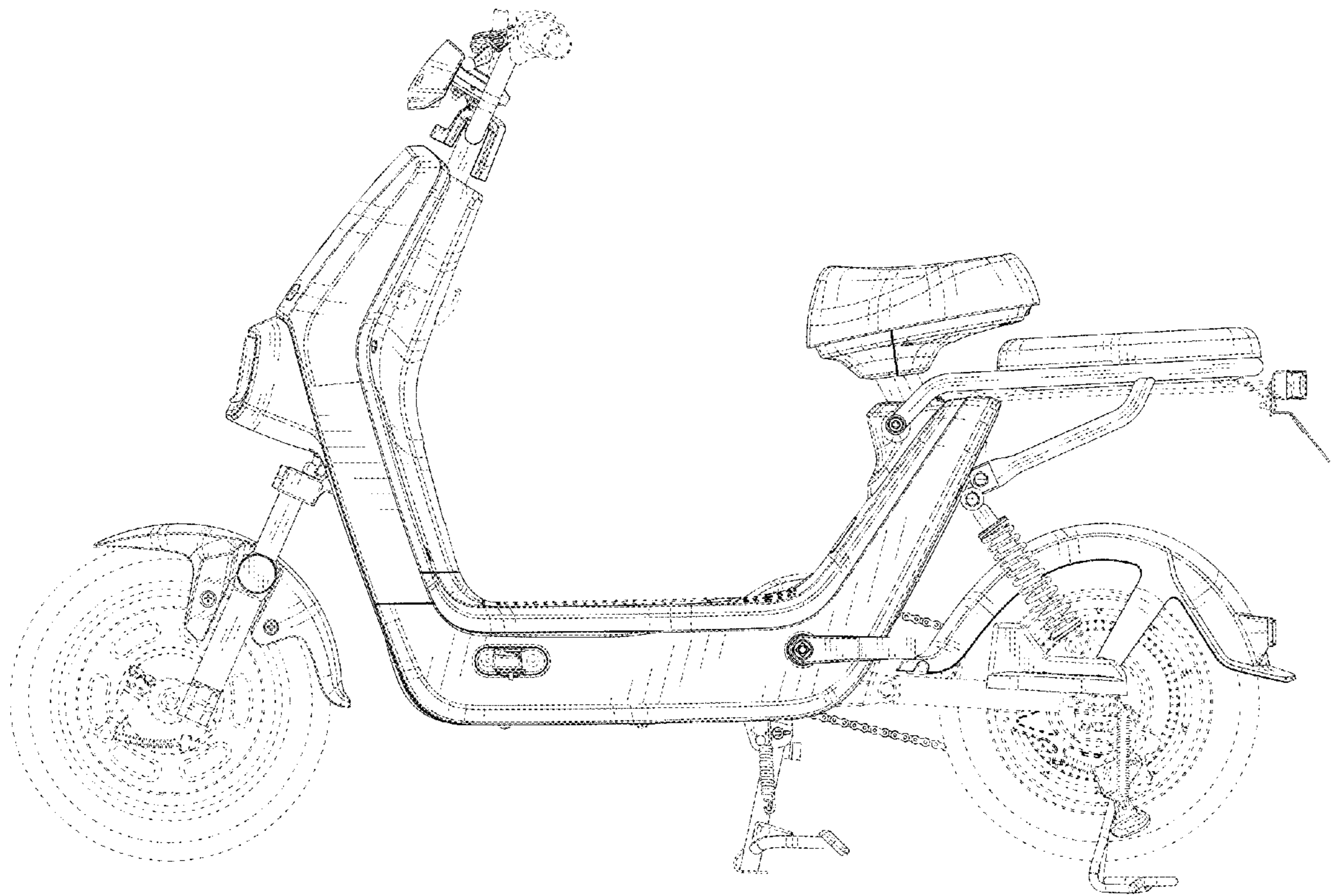


FIG. 1

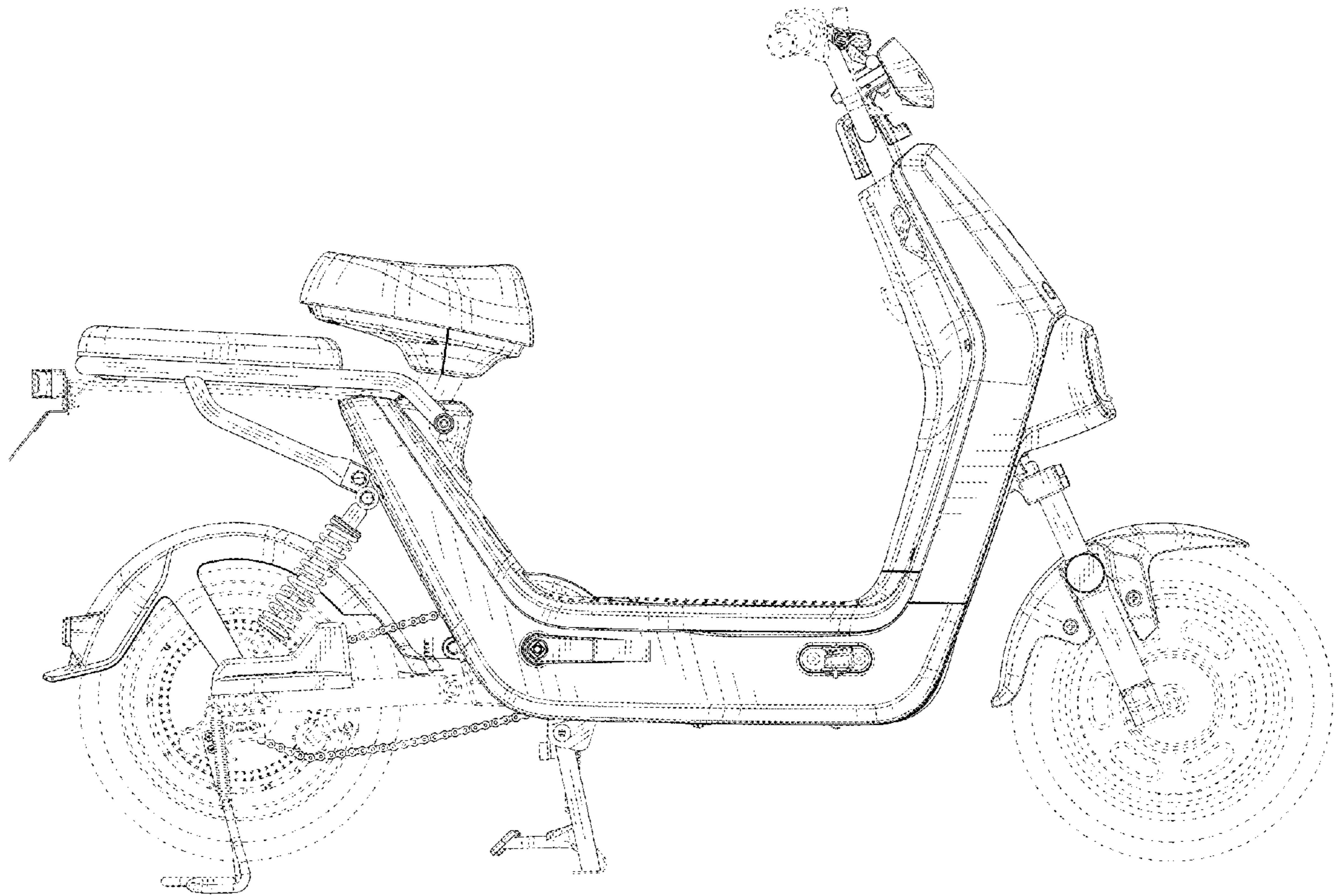


FIG. 2

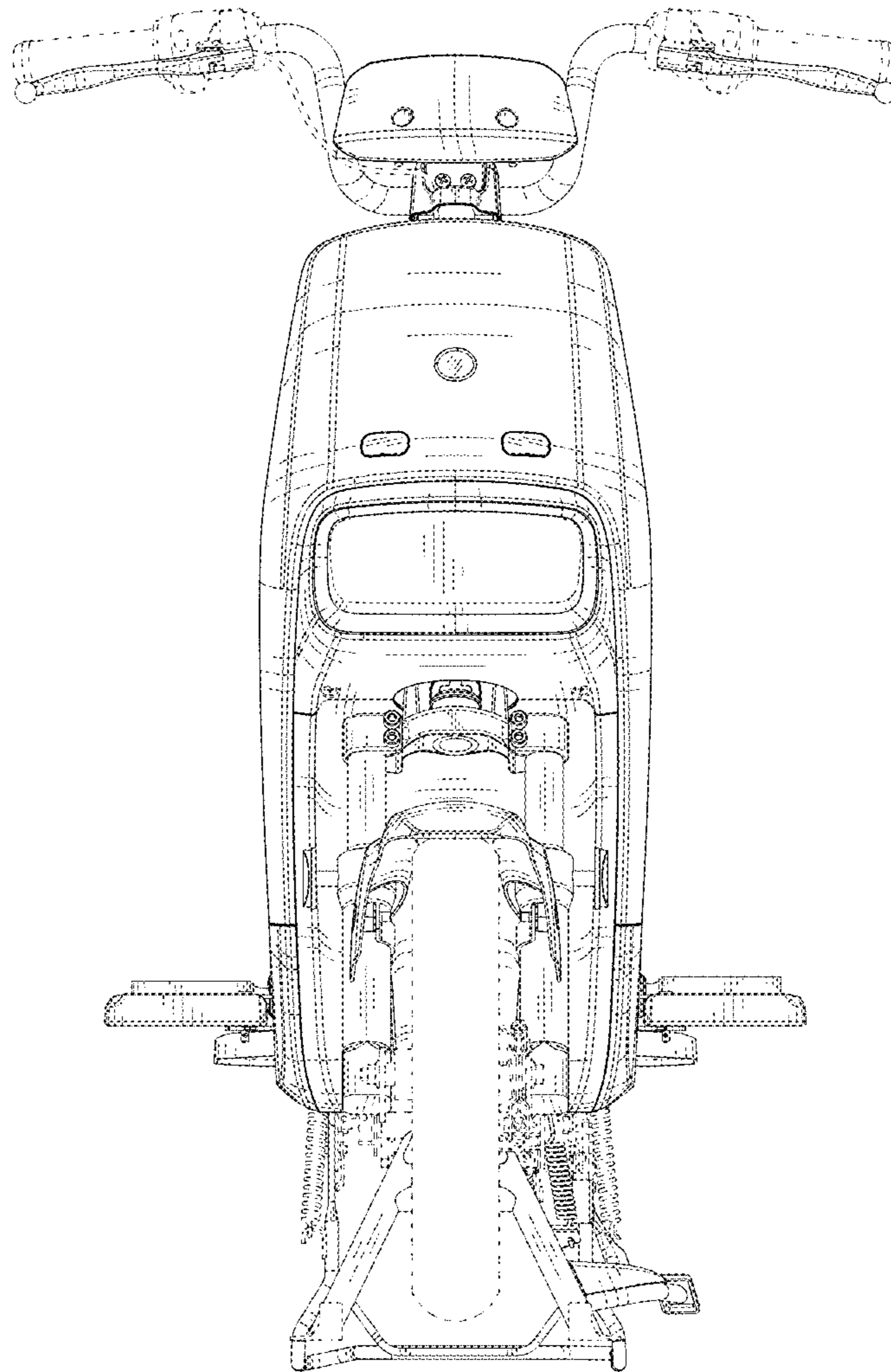


FIG.3

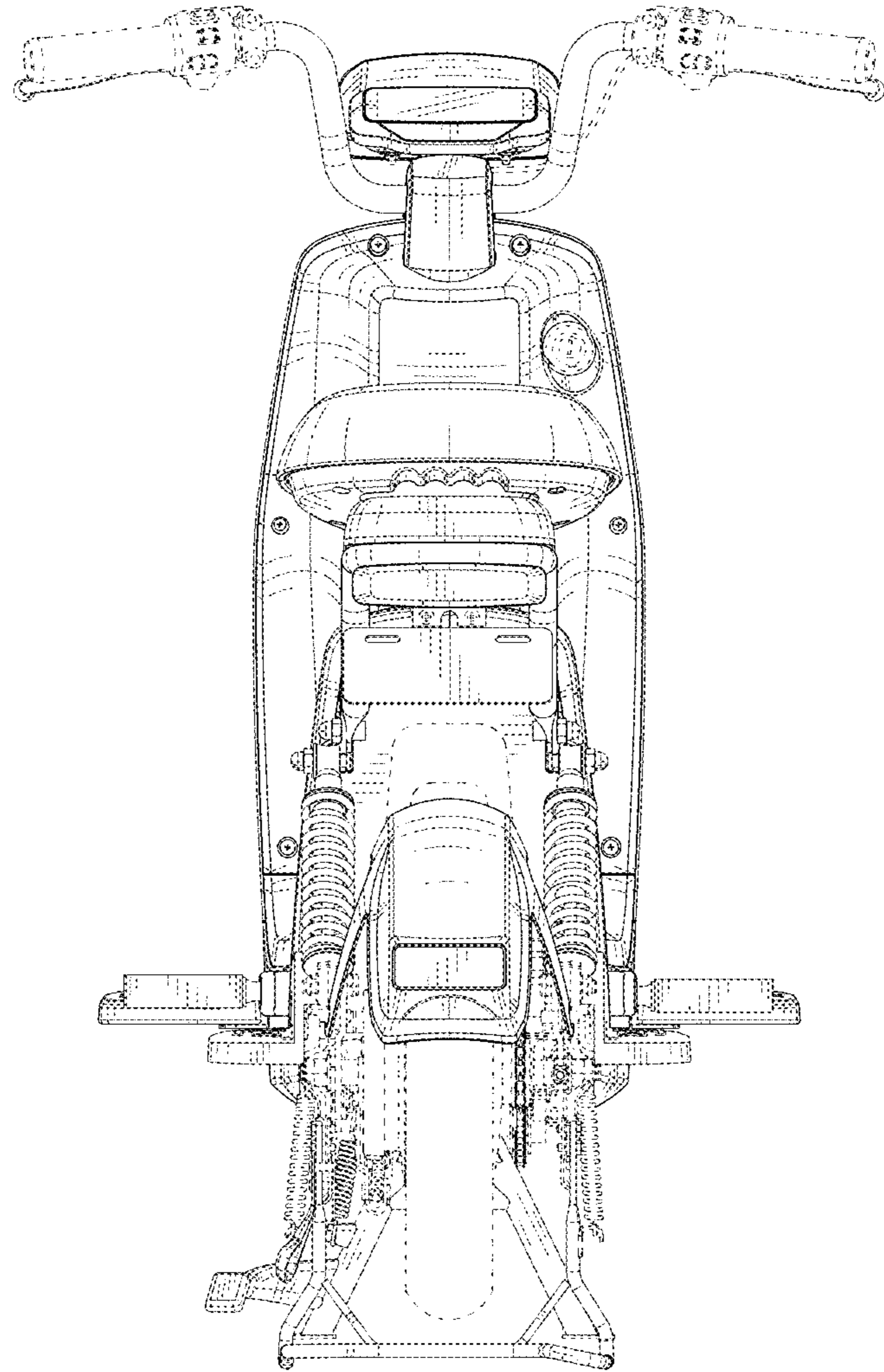


FIG.4

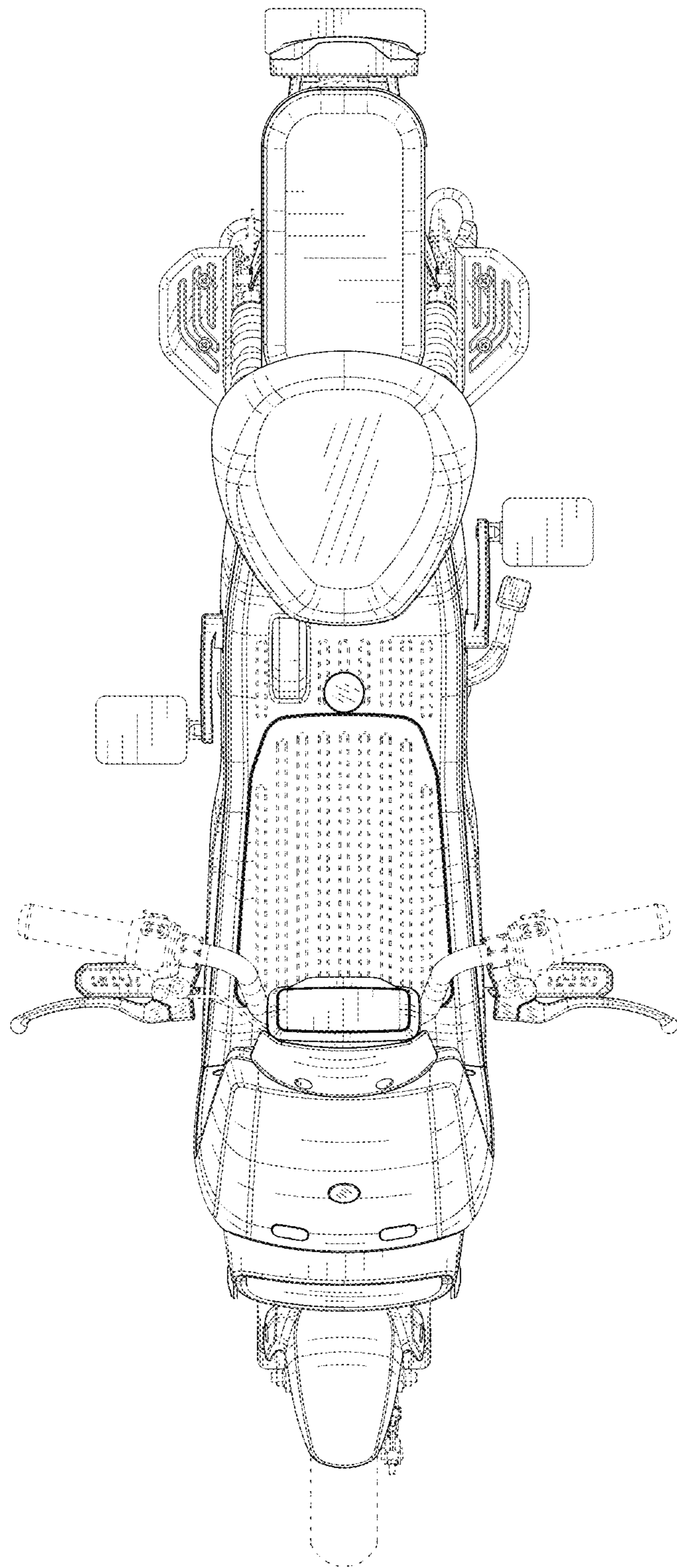


FIG.5

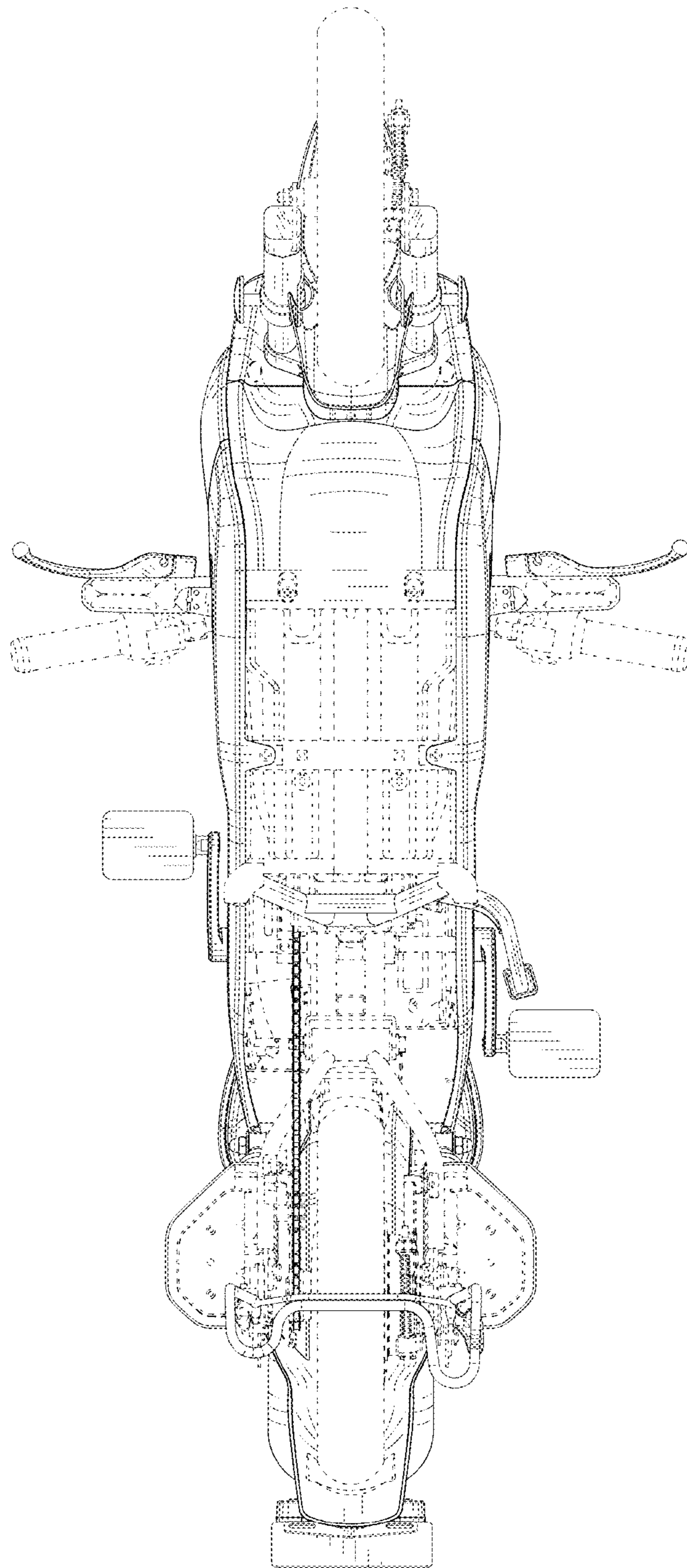


FIG. 6

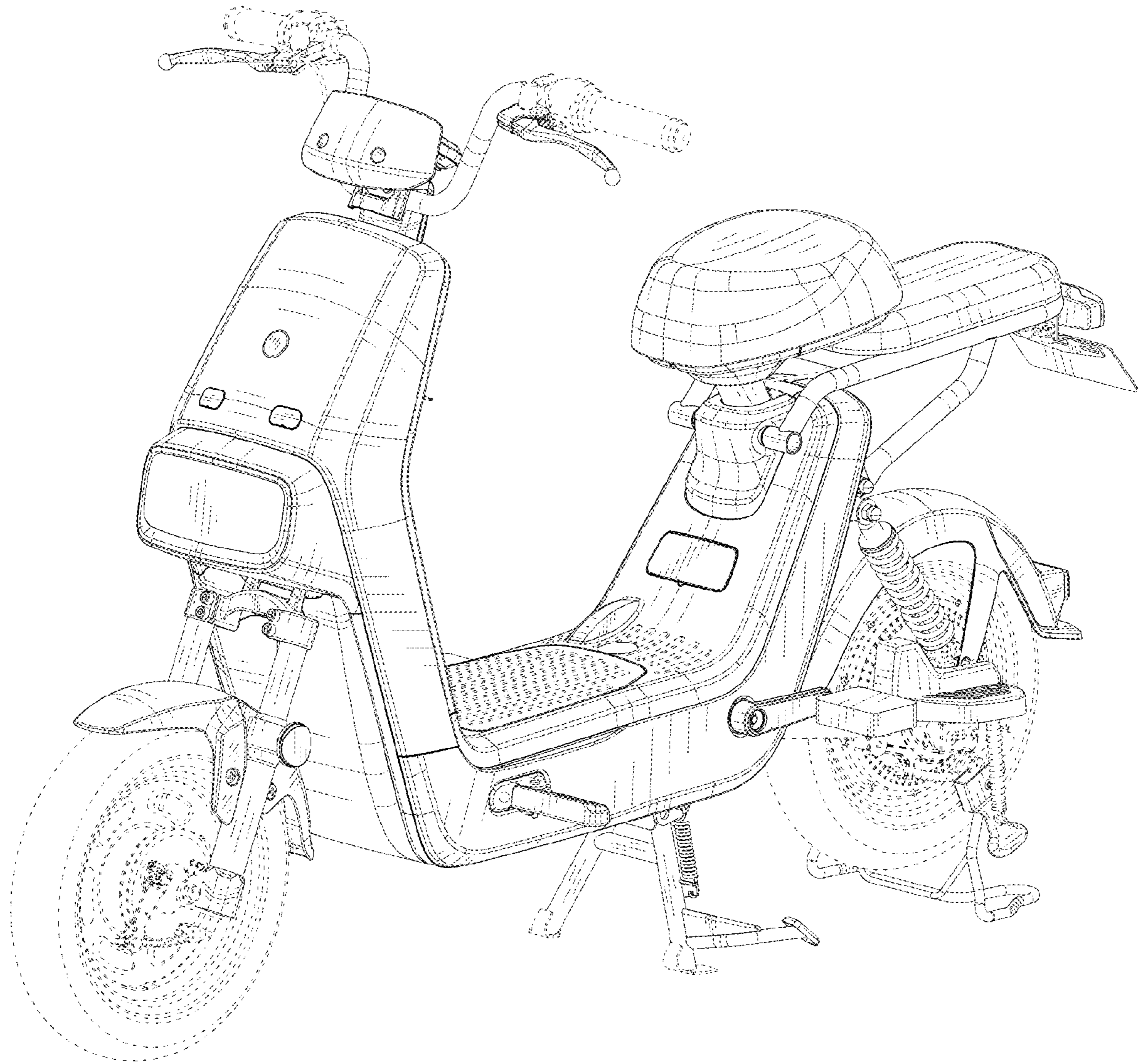


FIG. 7

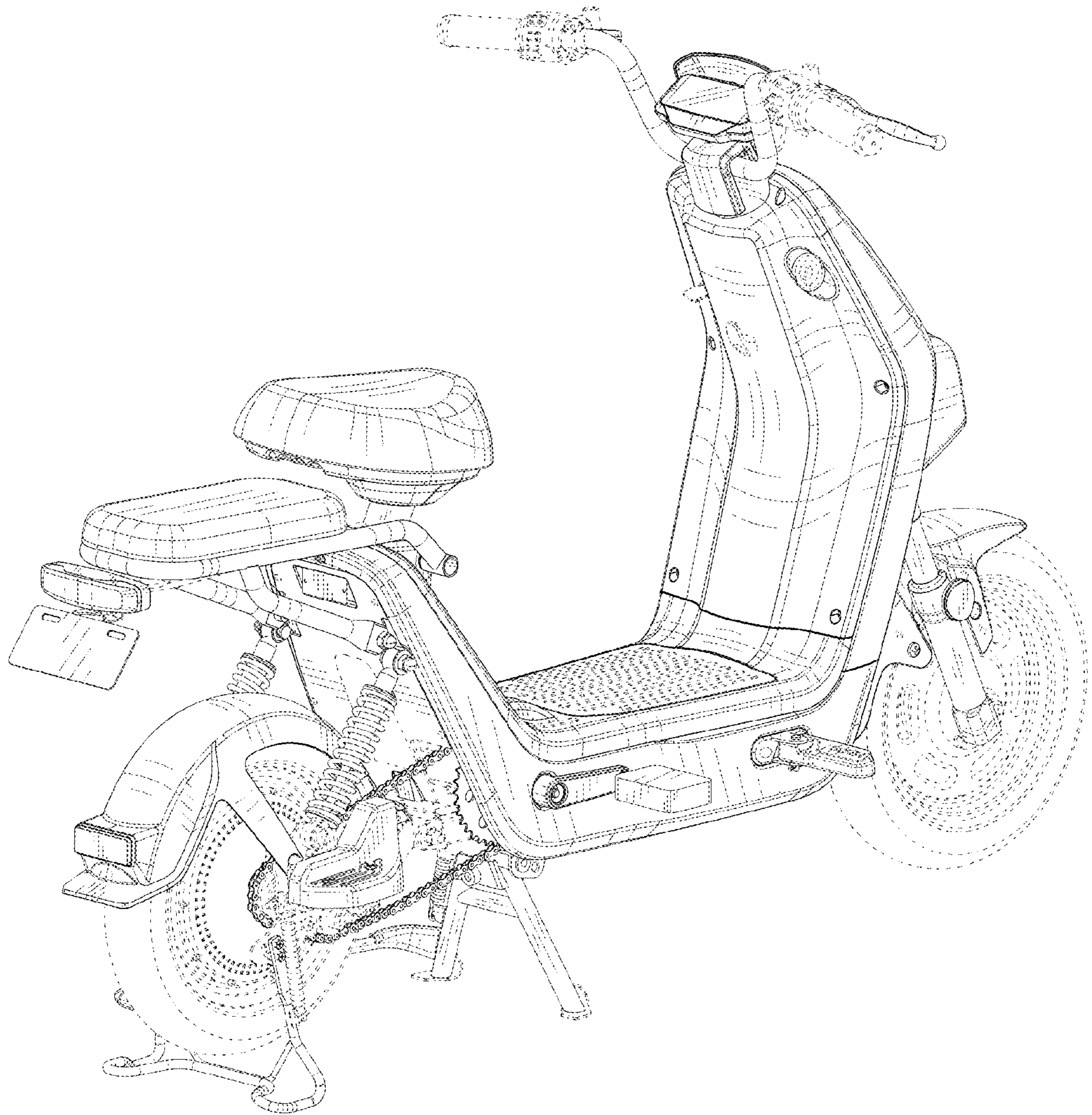


FIG. 8