



US00D947722S

(12) **United States Design Patent** (10) **Patent No.:** **US D947,722 S**
Chien (45) **Date of Patent:** **** Apr. 5, 2022**

(54) **FRAME OF A BALANCE BIKE**
(71) Applicant: **J.D COMPONENTS CO., LTD.,**
Chang Hua Hsien (TW)
(72) Inventor: **Chih-Cheng Chien,** Chang Hua Hsien
(TW)
(73) Assignee: **J.D COMPONENTS CO., LTD.,**
Chang Hua Hsien (TW)
(**) Term: **15 Years**
(21) Appl. No.: **29/739,775**
(22) Filed: **Jun. 29, 2020**

(30) **Foreign Application Priority Data**
Mar. 16, 2020 (TW) 109301365
(51) **LOC (13) Cl.** **12-11**
(52) **U.S. Cl.**
USPC **D12/111**
(58) **Field of Classification Search**
USPC D12/111, 117; D21/412, 414, 419,
D21/423-428, 431-435
CPC B62K 3/00; B62K 3/02; B62K 3/06
See application file for complete search history.

(56) **References Cited**
U.S. PATENT DOCUMENTS
D512,664 S * 12/2005 Schreier D12/111
D517,452 S * 3/2006 Hickman D12/111
D632,615 S * 2/2011 Uimonen D12/111
D654,962 S * 2/2012 Scolari D21/423
D712,980 S * 9/2014 Lovley, II D21/423
D735,619 S * 8/2015 Lawson D12/111
D929,906 S * 9/2021 Teal D12/111
D931,759 S * 9/2021 Lloyd D12/111
D935,948 S * 11/2021 Stafford D12/111

2015/0148173 A1* 5/2015 Kim B62M 6/65
475/149
2019/0077476 A1* 3/2019 Lloyd B62K 19/18
2021/0078669 A1* 3/2021 Chamberlain B62K 19/30

FOREIGN PATENT DOCUMENTS
CN 202030749121.2 * 6/2021

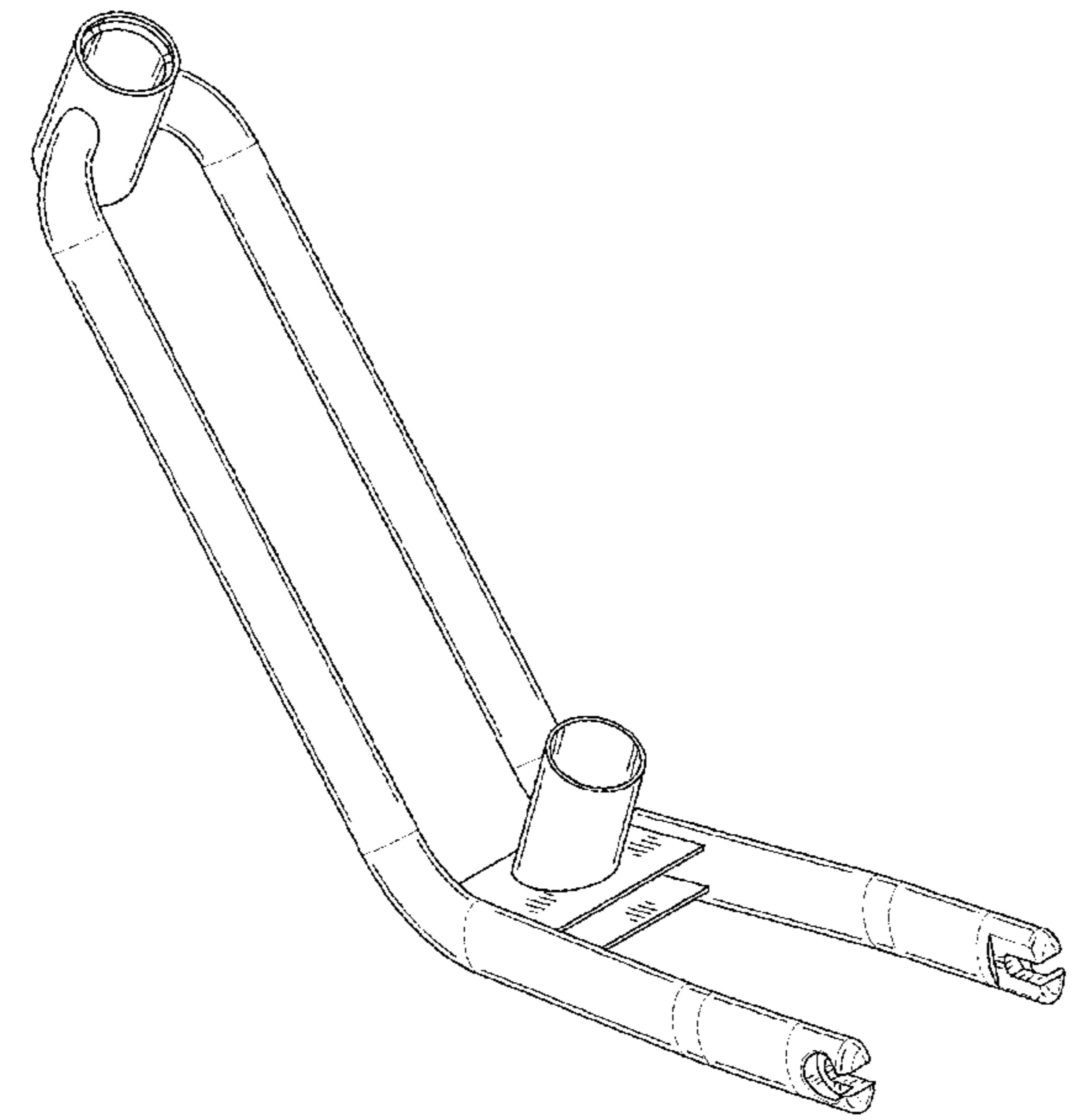
OTHER PUBLICATIONS
“GOMO Balance Bike Review” GOMO., posted date Jun. 2, 2019
[online], [retrieved on Nov. 29, 2021]. Retrieved from the Internet
<URL:https://rascalrides.com/gomo-balance-bike-review/> (Year:
2019).*

(Continued)
Primary Examiner — Darlington Ly
Assistant Examiner — Nasim Abdulaziz Ali
(74) *Attorney, Agent, or Firm* — Muncy, Geissler, Olds &
Lowe, P C.

(57) **CLAIM**
The ornamental design for a frame of a balance bike, as
shown and described.

DESCRIPTION
FIG. 1 is a front and left side perspective view of a frame of
a balance bike, embodying my new design;
FIG. 2 is a left side elevation view thereof;
FIG. 3 is a right side elevation view thereof;
FIG. 4 is a front elevation view thereof;
FIG. 5 is a rear elevation view thereof;
FIG. 6 is a top plan view thereof;
FIG. 7 is a bottom plan view thereof; and,
FIG. 8 is a front and left side perspective view thereof as
installed on an exemplary balance bike.
The broken line showing of the balance bike is provided for
the purpose of illustrating environmental structure and form
no part of the claimed design.

1 Claim, 7 Drawing Sheets



(56)

References Cited

OTHER PUBLICATIONS

“The Bentley Balance Bike” Bentley., posted date Jun. 9, 2019 [online], [retrieved on Nov. 29, 2021]. Retrieved from the Internet <URL:<https://poshbabyandkids.ca/pages/balance-bikes>> (Year: 2019).*

“The woom 1 PLUS” woom., posted date Apr. 24, 2018 [online], [retrieved on Nov. 29, 2021]. Retrieved from the Internet <URL:<https://us.woombikes.com/blogs/news/the-woom-1-plus>> (Year: 2018).*

* cited by examiner

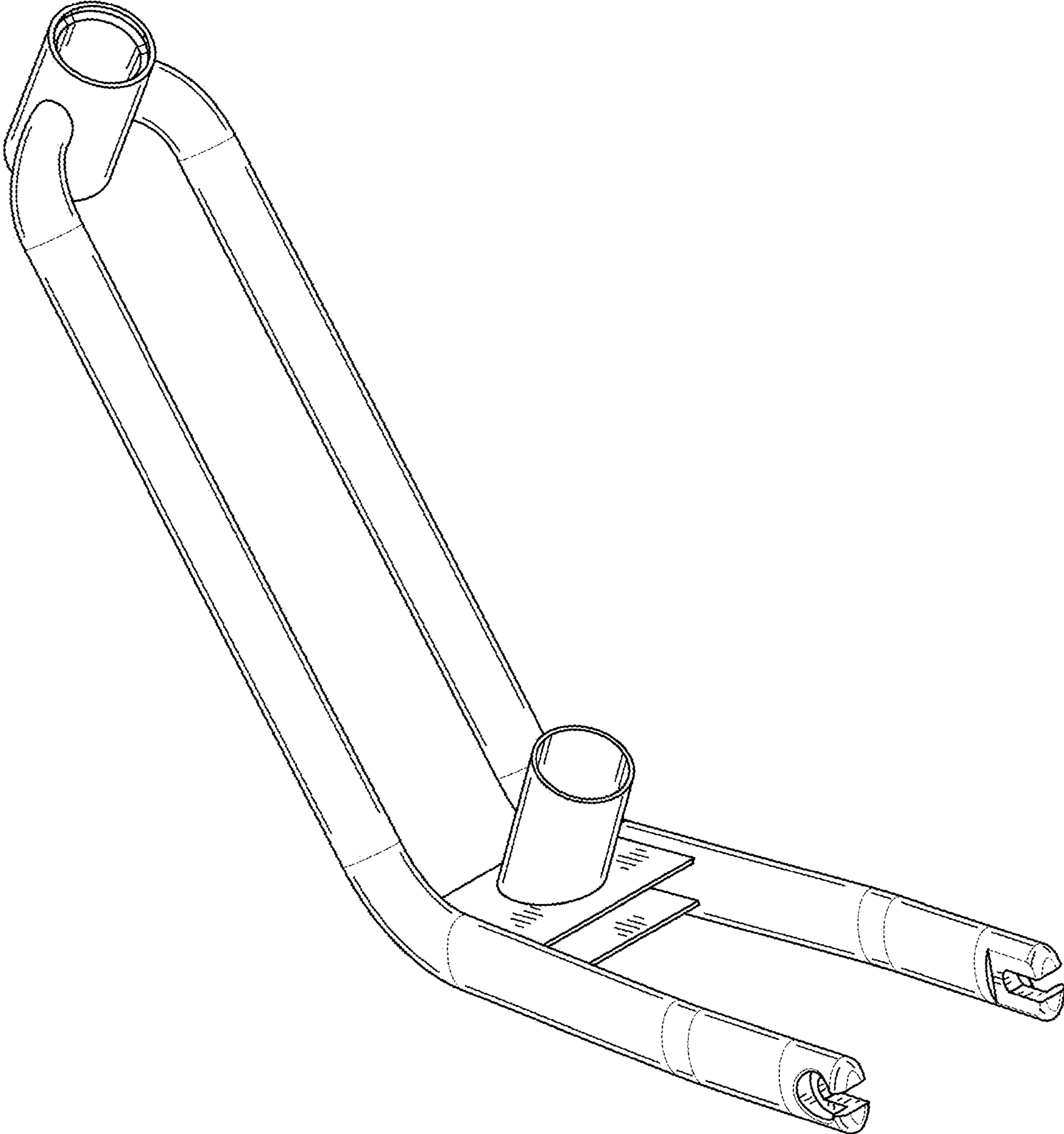


FIG. 1

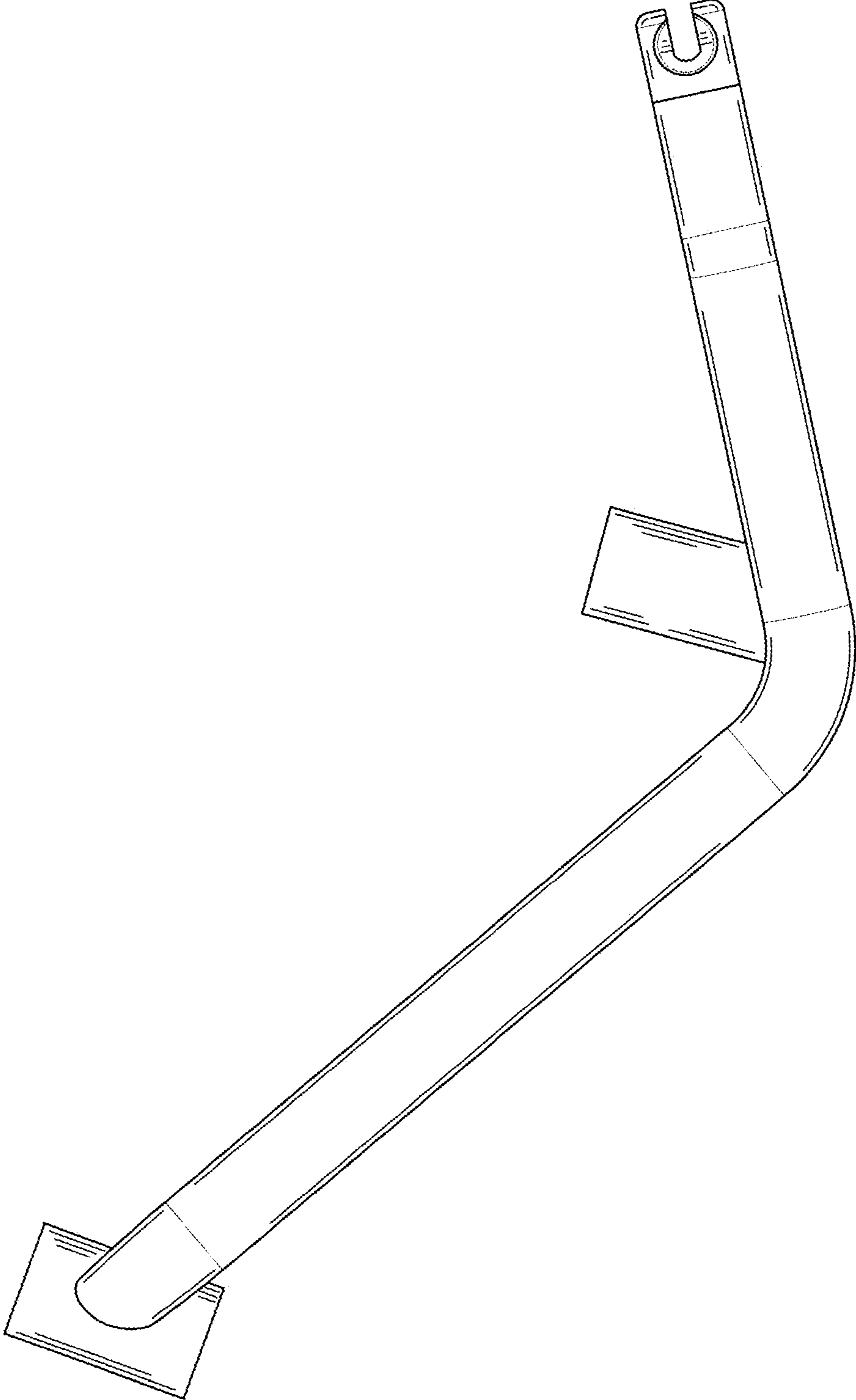


FIG. 2

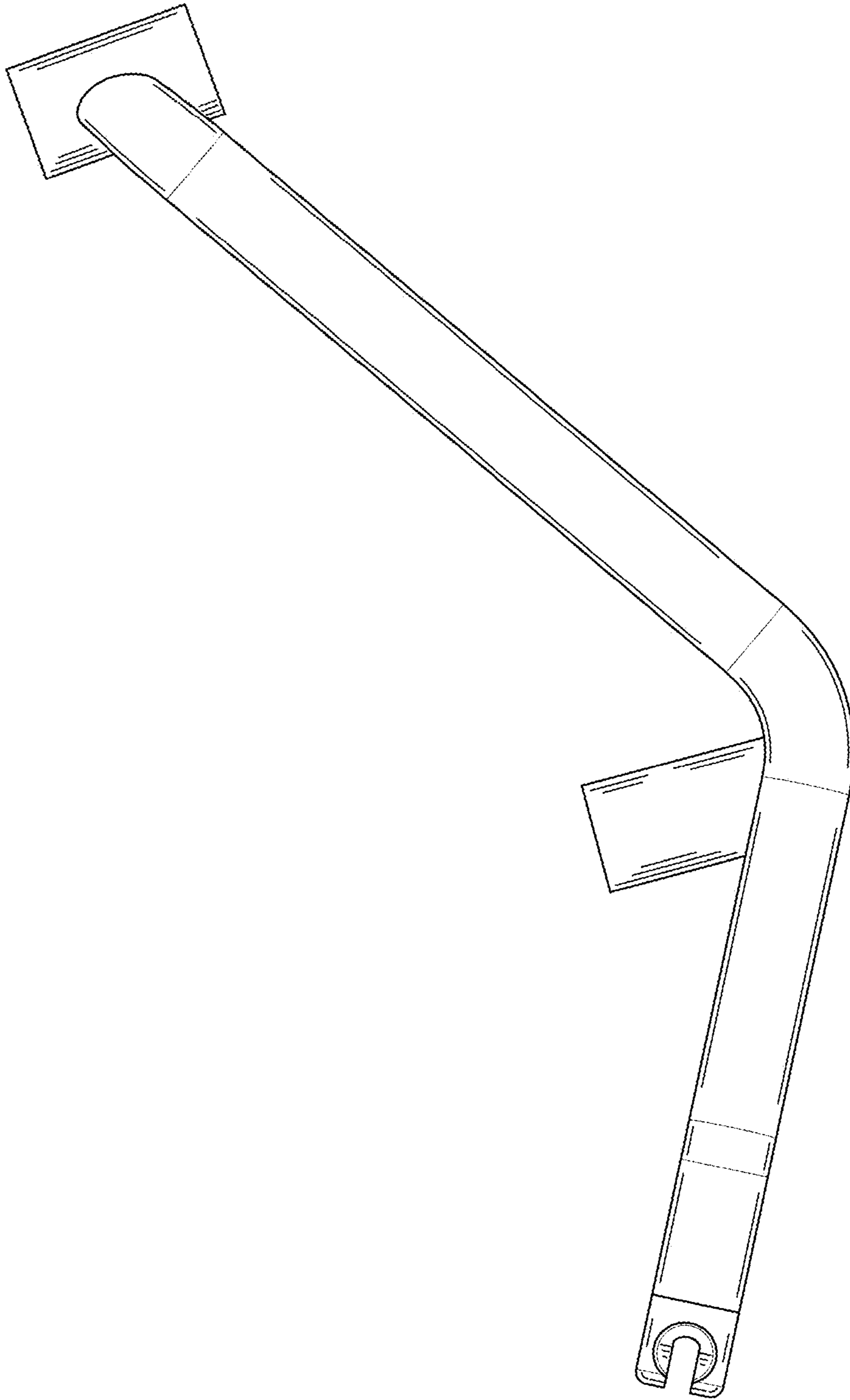


FIG. 3

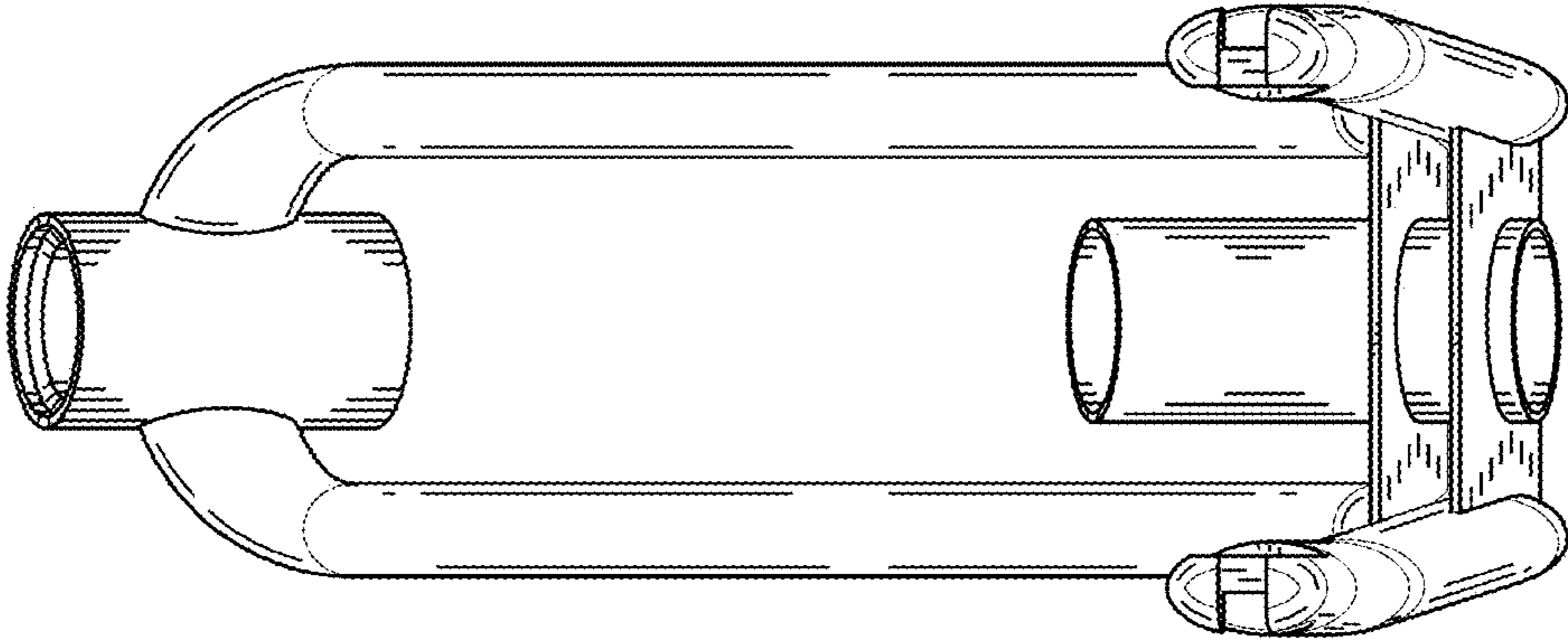


FIG. 5

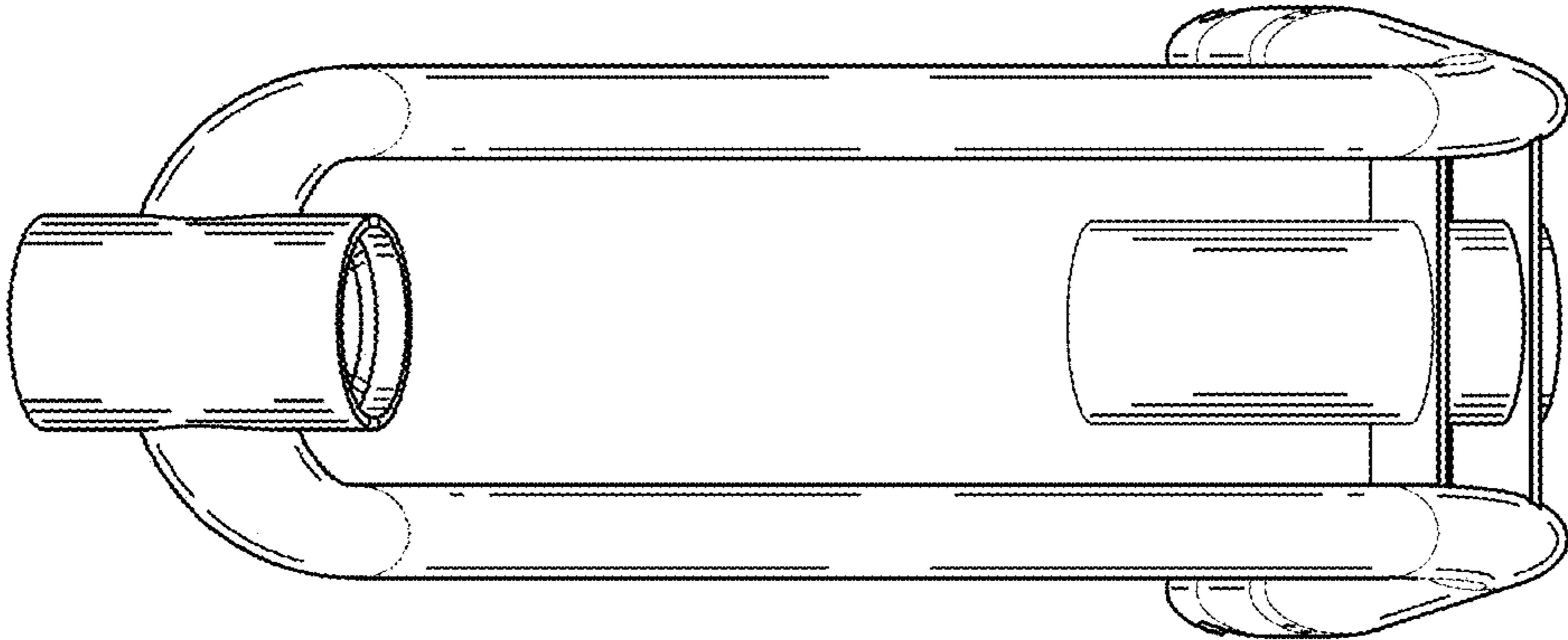


FIG. 4

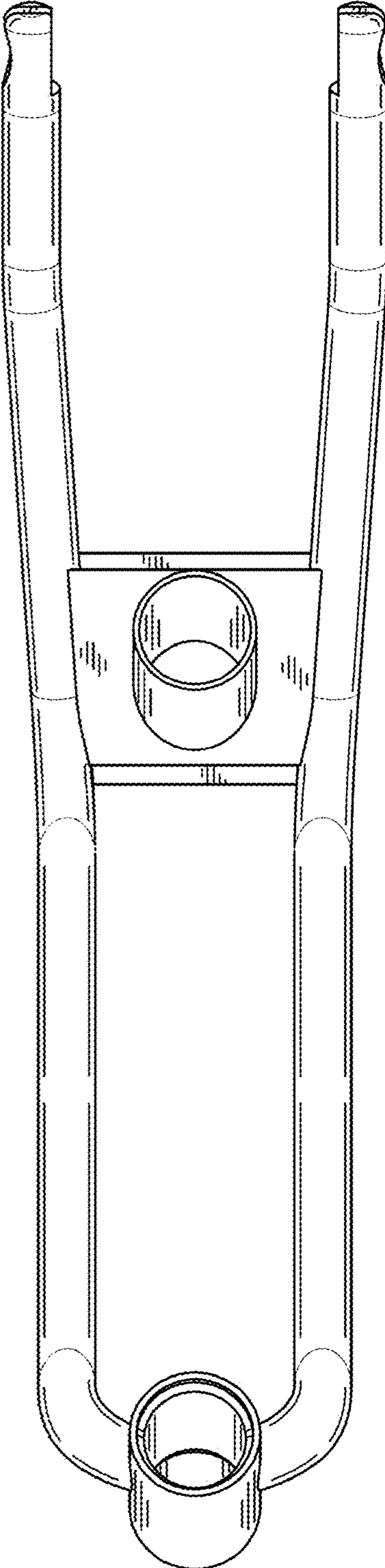


FIG. 6

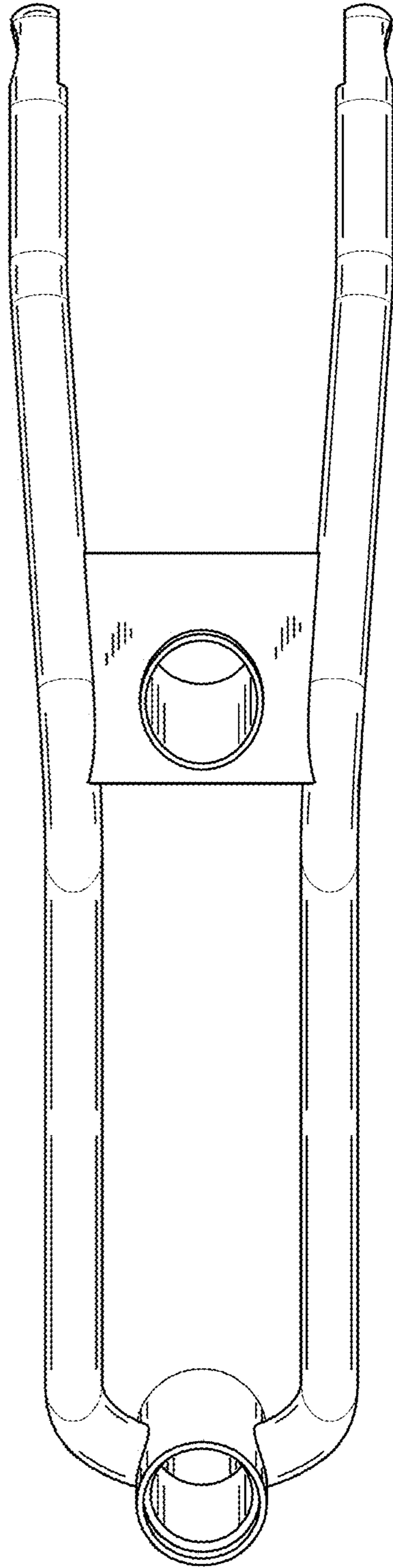


FIG. 7

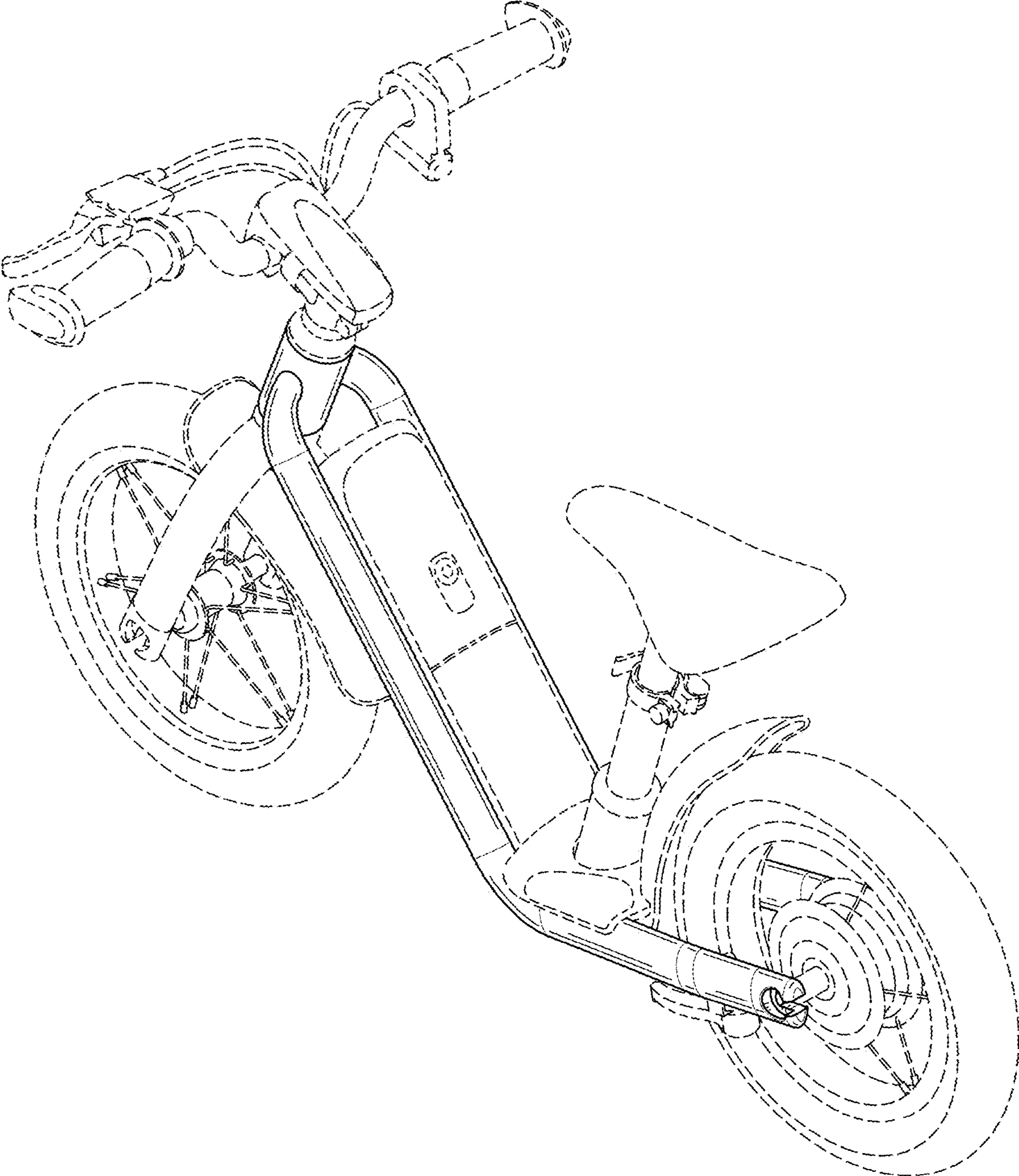


FIG. 8