



US00D947720S

(12) **United States Design Patent**
Egilsson et al.

(10) **Patent No.:** **US D947,720 S**
(45) **Date of Patent:** **** Apr. 5, 2022**

(54) **CAMPING TRAILER**

(71) Applicant: **Mink Campers**, Garöabær (IS)

(72) Inventors: **Egill Sveinbjorn Egilsson**, Reykjavik (IS); **Olafur Gunnar Sverrisson**, Alftanesi (IS); **Olafur Freyr Halldórsson**, Reykjavík (IS)

(73) Assignee: **MINK CAMPERS**, Garðabær (IS)

(**) Term: **15 Years**

(21) Appl. No.: **29/707,808**

(22) Filed: **Oct. 1, 2019**

(30) **Foreign Application Priority Data**

Apr. 2, 2019 (EM) 006365177-0001

(51) **LOC (13) Cl.** **12-16**

(52) **U.S. Cl.**
USPC **D12/103**

(58) **Field of Classification Search**
USPC D12/19, 129, 100–106, 111–112, 425, D12/435; D34/21–26, 12, 16–19
CPC B60P 3/10; B60P 3/1033; B60P 3/0257; B60P 3/34; B62D 33/077; B62D 33/0612; B62D 35/00; B62D 24/04; B63C 9/06
See application file for complete search history.

(56) **References Cited**

U.S. PATENT DOCUMENTS

D689,402 S *	9/2013	Lee	D12/103
D692,353 S *	10/2013	Kiez	D12/103
D737,919 S *	9/2015	Wienke	D21/836
D826,787 S *	8/2018	Goral	D12/103
D864,033 S *	10/2019	Devine	D12/102
D867,217 S *	11/2019	Arter	D12/102
D868,633 S *	12/2019	Krenelka	D12/102
D875,612 S *	2/2020	Arter	D12/102
D886,682 S *	6/2020	Matthews	D12/103

D888,616 S *	6/2020	Brawley	D12/102
2008/0211259 A1 *	9/2008	Nadeau	B60P 3/34 296/173
2012/0291691 A1 *	11/2012	Lee	B63C 9/06 114/349
2016/0288690 A1 *	10/2016	Wills	B60P 3/34

FOREIGN PATENT DOCUMENTS

DM 089002 9/2015

* cited by examiner

Primary Examiner — Susan E Krakower

Assistant Examiner — Jerry Shiuian-Hua Hsu

(74) *Attorney, Agent, or Firm* — Tarolli, Sundheim, Covell & Tummino LLP

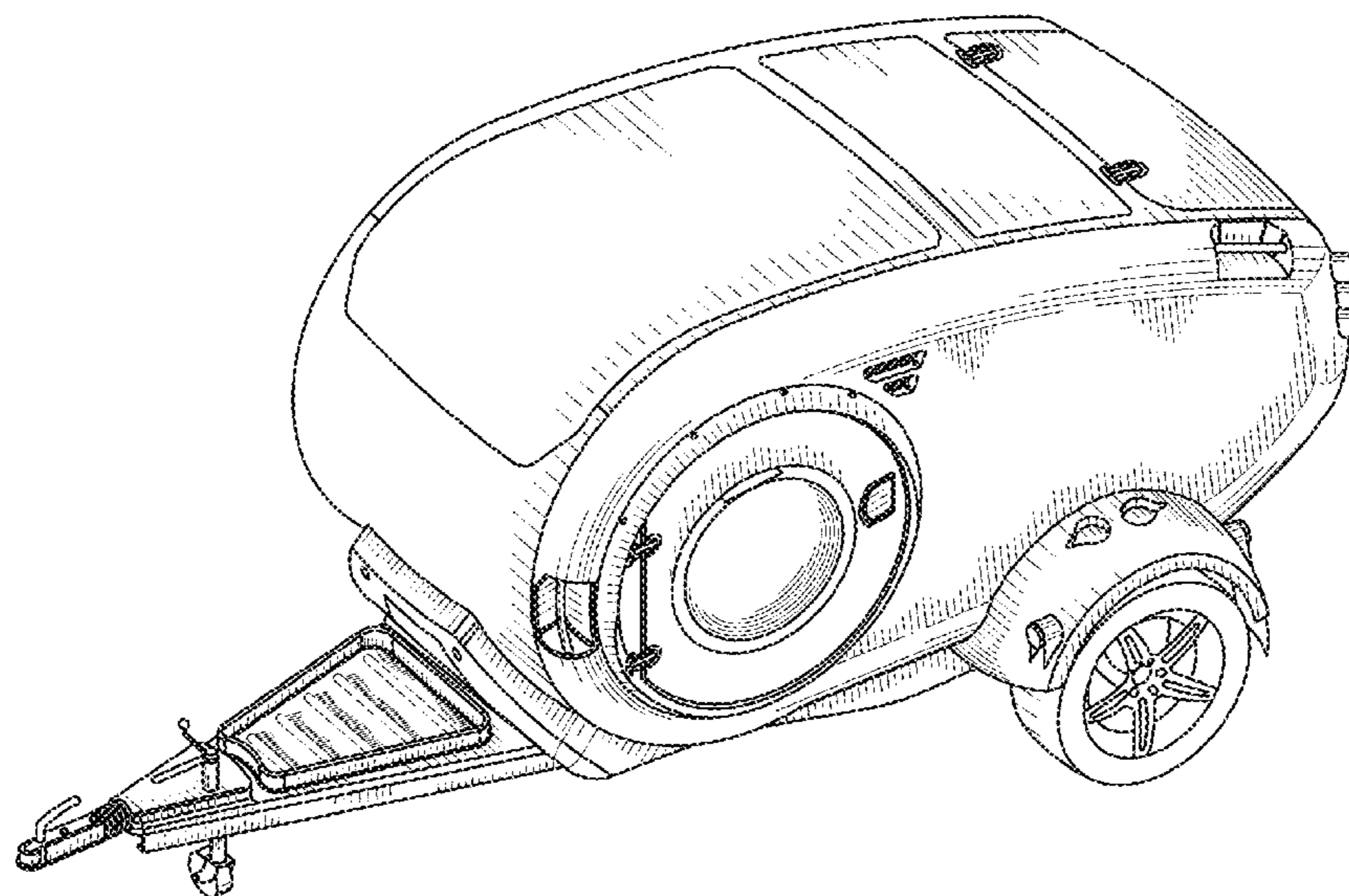
(57) **CLAIM**

We claim the ornamental design for a camping trailer, as shown and described.

DESCRIPTION

FIG. 1 is a top perspective view of an embodiment of a camping trailer comprising a new, original and ornamental design;
FIG. 2 is a front elevational view of the camping trailer shown in FIG. 1;
FIG. 3 is a rear elevational view of the camping trailer shown in FIG. 1;
FIG. 4 is a right side elevational view of the camping trailer shown in FIG. 1;
FIG. 5 is a left side elevational view of the camping trailer shown in FIG. 1;
FIG. 6 is a top plan view of the camping trailer shown in FIG. 1; and,
FIG. 7 is a bottom plan view of the camping trailer shown in FIG. 1.
The broken lines illustrate portions of the camping trailer that form no part of the claimed design.

1 Claim, 7 Drawing Sheets



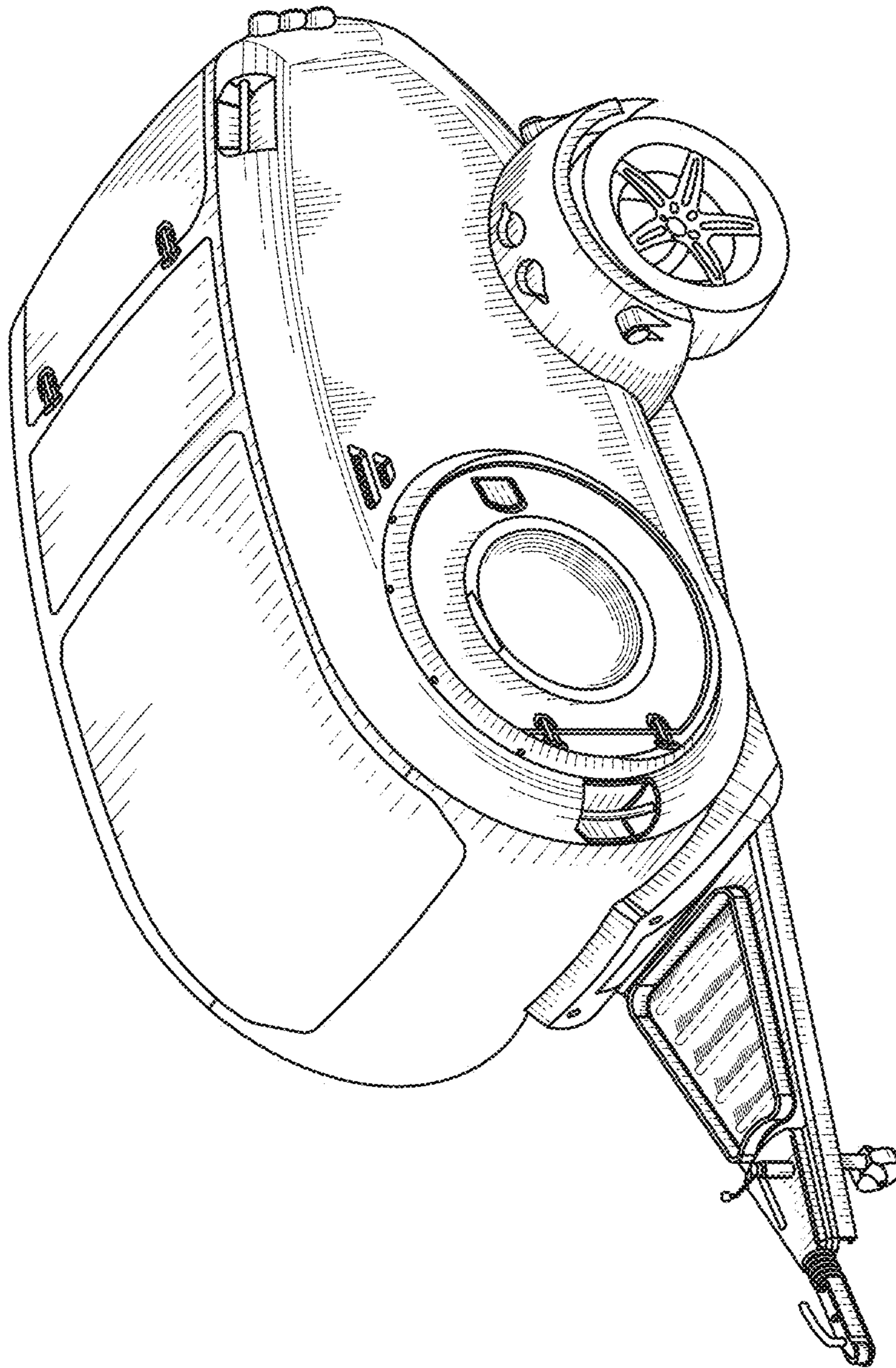


FIG. 1

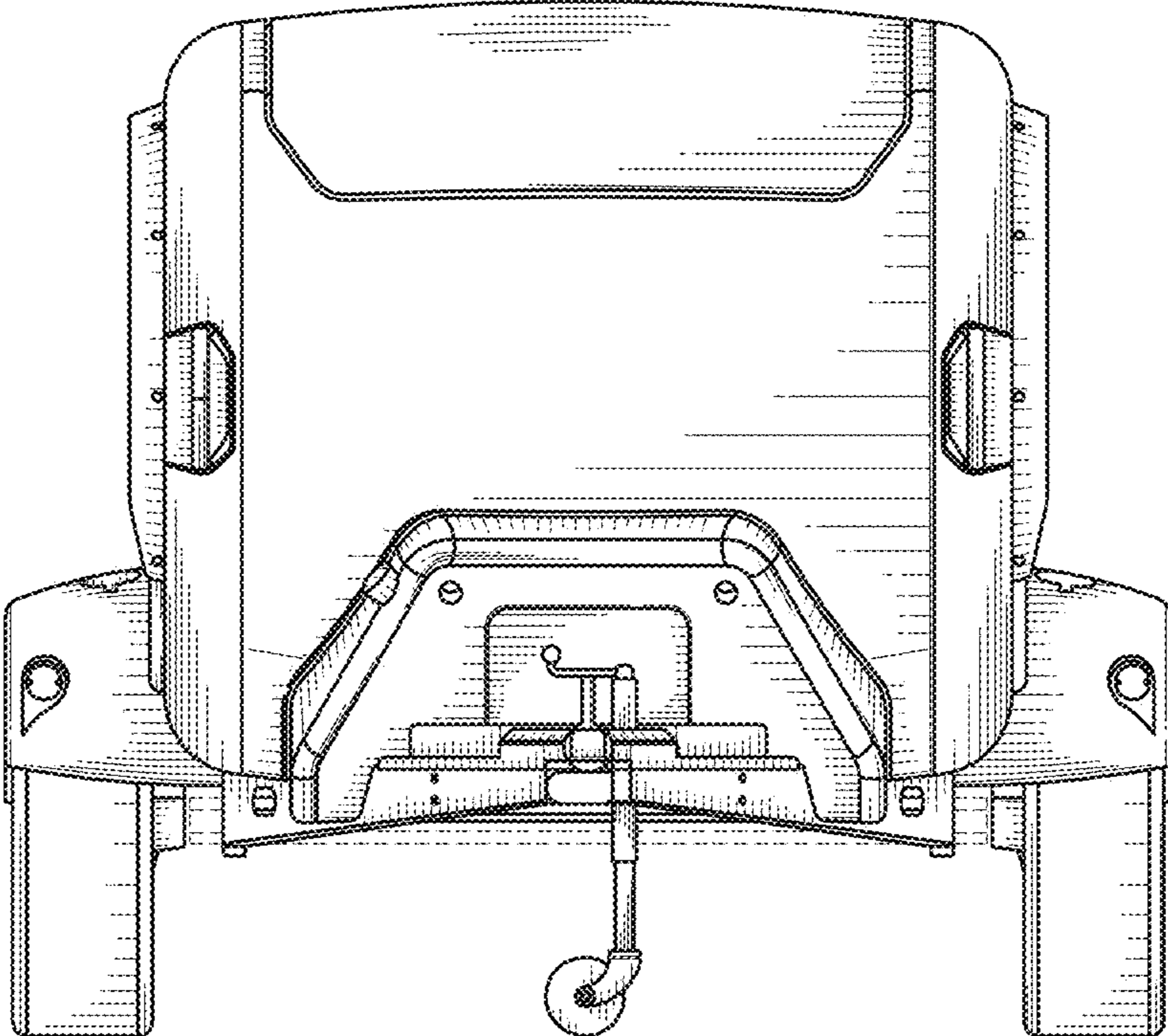


FIG. 2

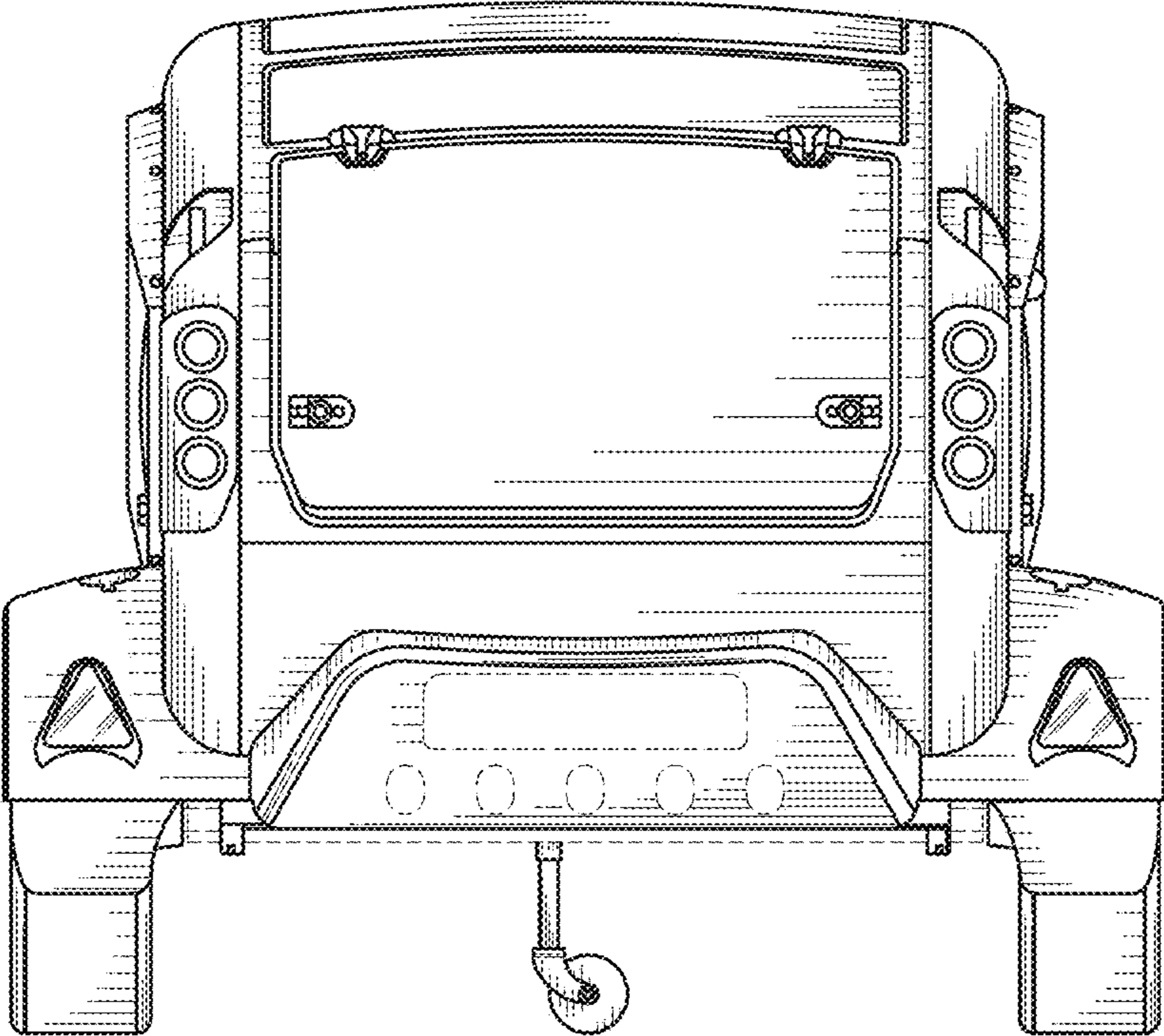


FIG. 3

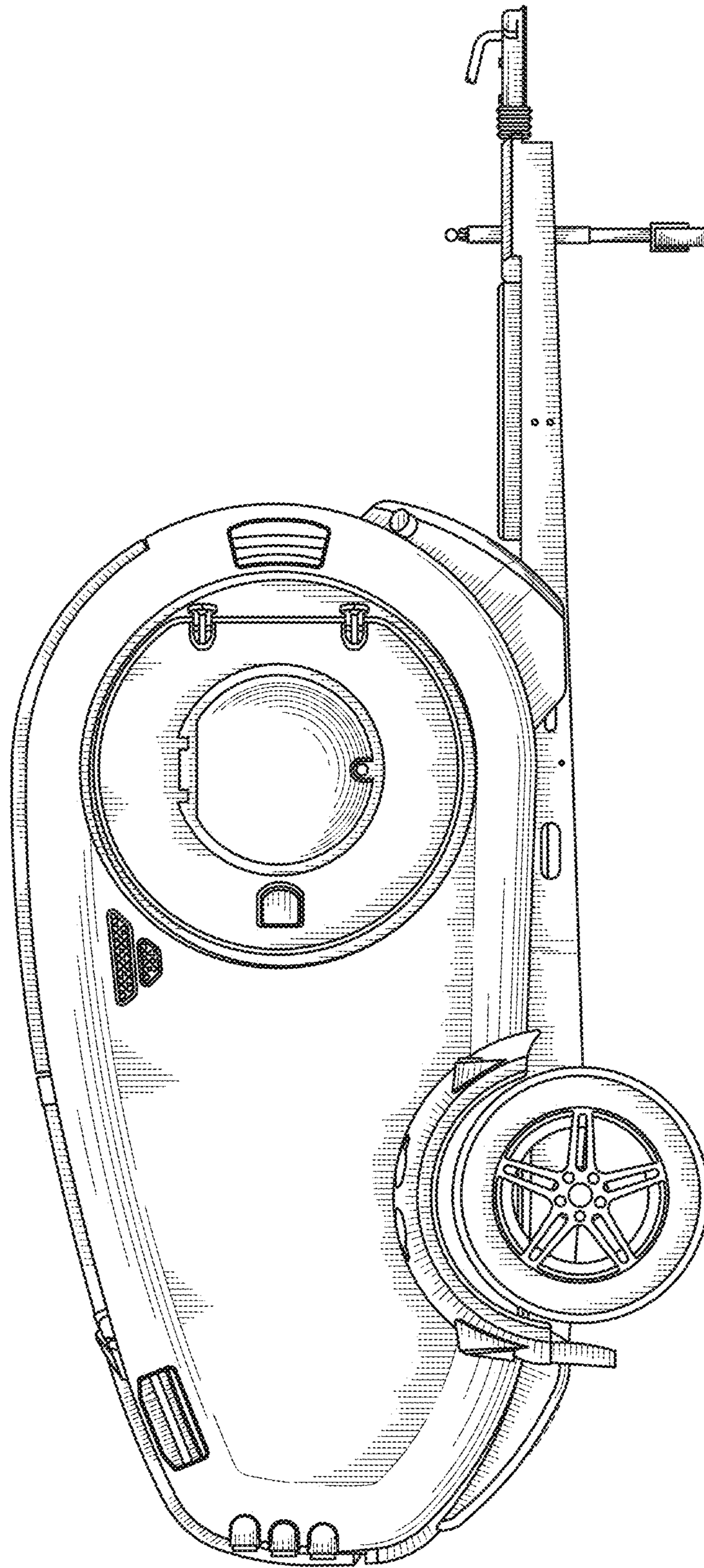


FIG. 4

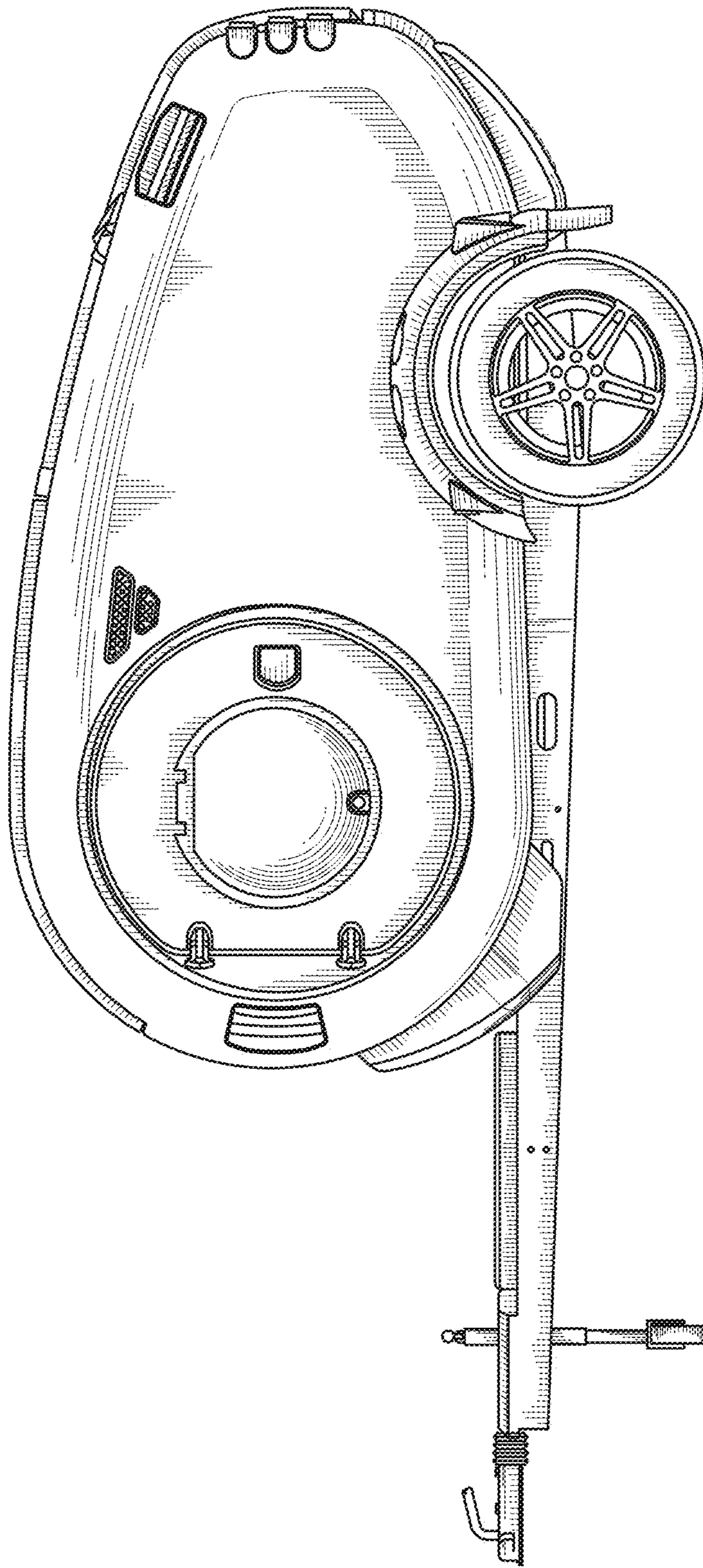


FIG. 5

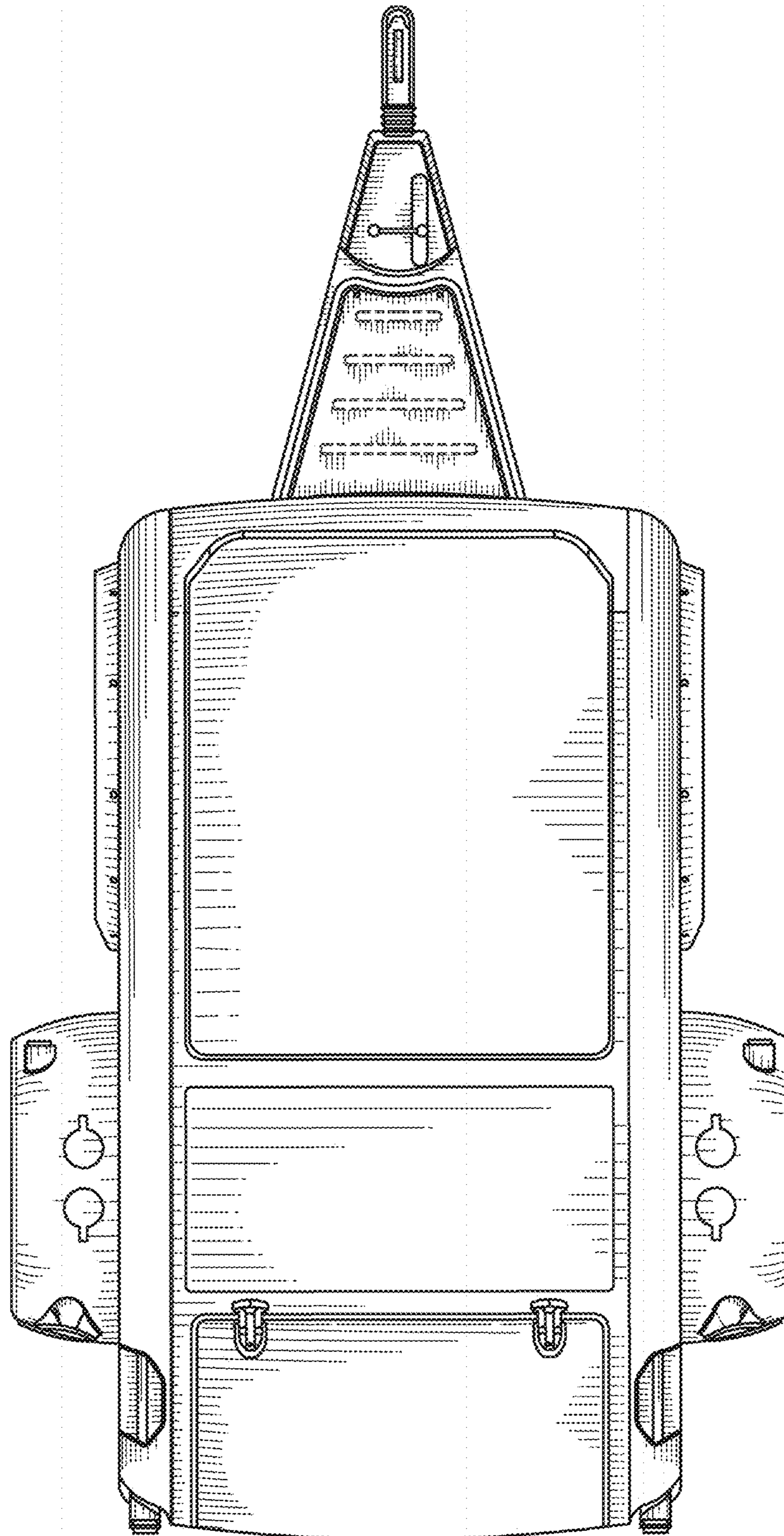


FIG. 6

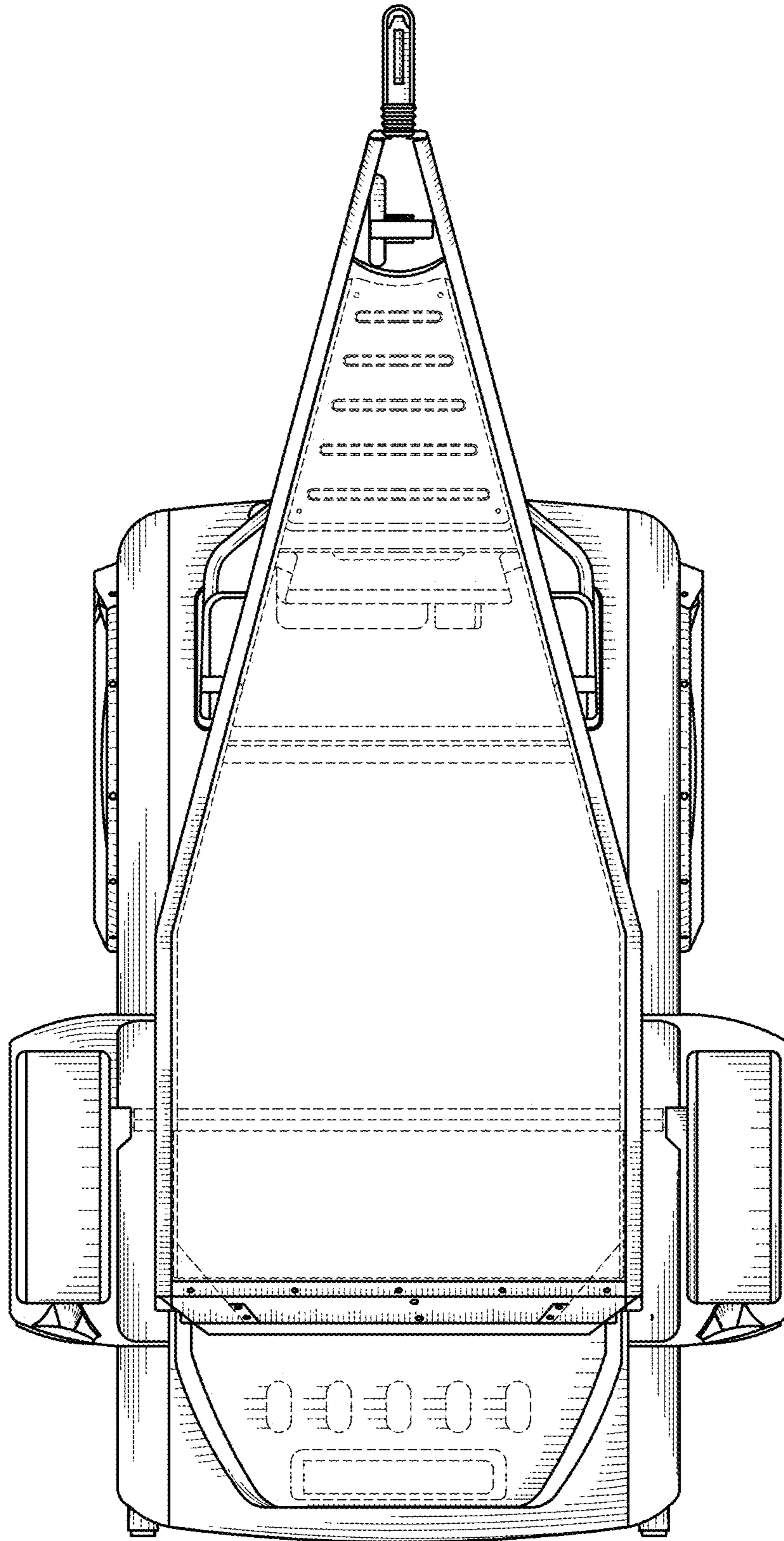


FIG. 7