



US00D947719S

(12) **United States Design Patent**  
**Beet et al.**

(10) **Patent No.:** **US D947,719 S**

(45) **Date of Patent:** **\*\* Apr. 5, 2022**

(54) **CAMPER TRAILER**  
(71) Applicant: **PATRIOT CAMPERS PTY LTD.,**  
Molendinar (AU)  
(72) Inventors: **Jack Beet, Molendinar (AU); Simon**  
**Pearce, Molendinar (AU); Harrison**  
**Bell, Molendinar (AU); Bradley**  
**Cullen, Molendinar (AU); Justin**  
**Montesalvo, Molendinar (AU)**  
(73) Assignee: **PATRIOT CAMPERS HOLDINGS**  
**PTY LTD., Molendinar (AU)**

D529,412 S \* 10/2006 Troyer ..... D12/102  
D534,099 S \* 12/2006 Prusmack ..... D12/101  
D544,815 S \* 6/2007 Williams ..... D12/101  
D566,624 S \* 4/2008 Dempsey ..... D12/105  
D568,793 S \* 5/2008 Oliver ..... D12/103  
D601,059 S \* 9/2009 Greer ..... D12/101  
8,141,927 B2 \* 3/2012 Kreil ..... B60P 3/34  
296/26.01  
D661,229 S \* 6/2012 O'Neill ..... D12/102  
D707,591 S \* 6/2014 Sands ..... D12/103  
D737,726 S \* 9/2015 Austin ..... D12/104  
D742,815 S \* 11/2015 Shaw ..... D13/102  
D762,145 S \* 7/2016 Van Bosstraeten ..... D12/102  
D822,544 S \* 7/2018 Black ..... D12/102  
D865,571 S \* 11/2019 Reinero ..... D12/102  
D886,681 S \* 6/2020 Hickok ..... D12/102  
2020/0385069 A1 \* 12/2020 Montesalvo ..... B62D 35/002

(\*\*) Term: **15 Years**

(21) Appl. No.: **29/716,997**

(22) Filed: **Dec. 13, 2019**

(30) **Foreign Application Priority Data**

Aug. 2, 2019 (AU) ..... 201914324

(51) **LOC (13) Cl.** ..... **12-16**

(52) **U.S. Cl.**  
USPC ..... **D12/102**

(58) **Field of Classification Search**  
USPC ..... D12/19, 129, 100-106, 111-112;  
D21/425, 435; D34/21-26, 12, 16-19  
CPC .... B62D 35/00; B62D 35/002; B62D 35/005;  
B60P 3/34  
See application file for complete search history.

(56) **References Cited**

**U.S. PATENT DOCUMENTS**

D268,101 S \* 3/1983 Pope ..... D12/102  
D391,525 S \* 3/1998 Savitski ..... D12/102  
D464,916 S \* 10/2002 Golenz ..... D12/102  
D506,162 S \* 6/2005 Collinson ..... D12/102  
D522,921 S \* 6/2006 Rugh ..... D12/102

\* cited by examiner

*Primary Examiner* — Susan E Krakower

*Assistant Examiner* — Jerry Shiuhan-Hua Hsu

(74) *Attorney, Agent, or Firm* — Tucker Ellis LLP

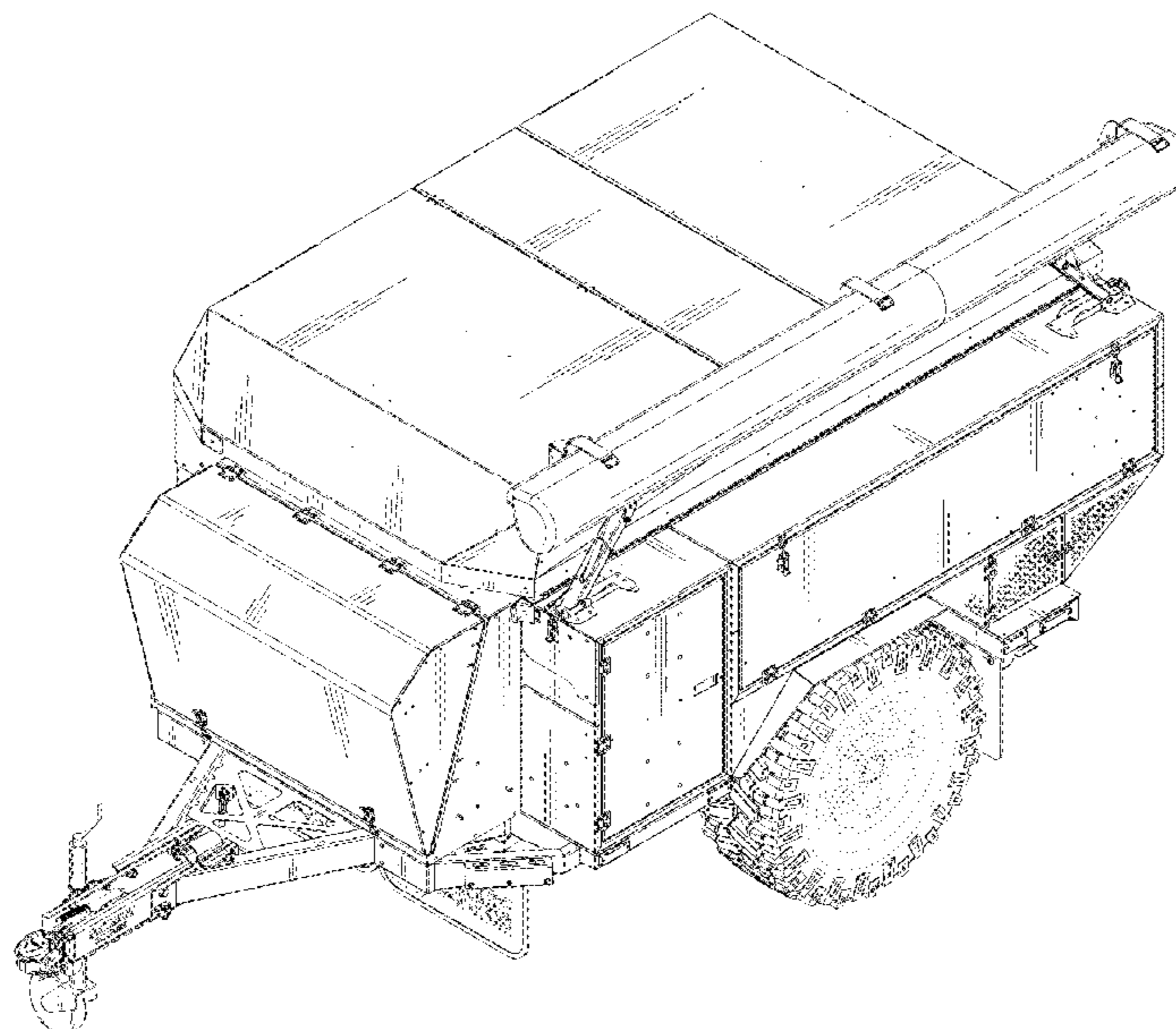
(57) **CLAIM**

The ornamental design for a camper trailer, as shown and described.

**DESCRIPTION**

FIG. 1 is a top front right perspective view of a camper trailer showing our new design;  
FIG. 2 is a top front left perspective view thereof;  
FIG. 3 is a rear left perspective view thereof;  
FIG. 4 is a bottom rear right perspective view thereof;  
FIG. 5 is a rear view thereof;  
FIG. 6 is a left side view thereof;  
FIG. 7 is a right side view thereof; and,  
FIG. 8 is a top view thereof.  
The broken lines illustrate portions of the camper trailer that form no part of the claimed design.

**1 Claim, 8 Drawing Sheets**



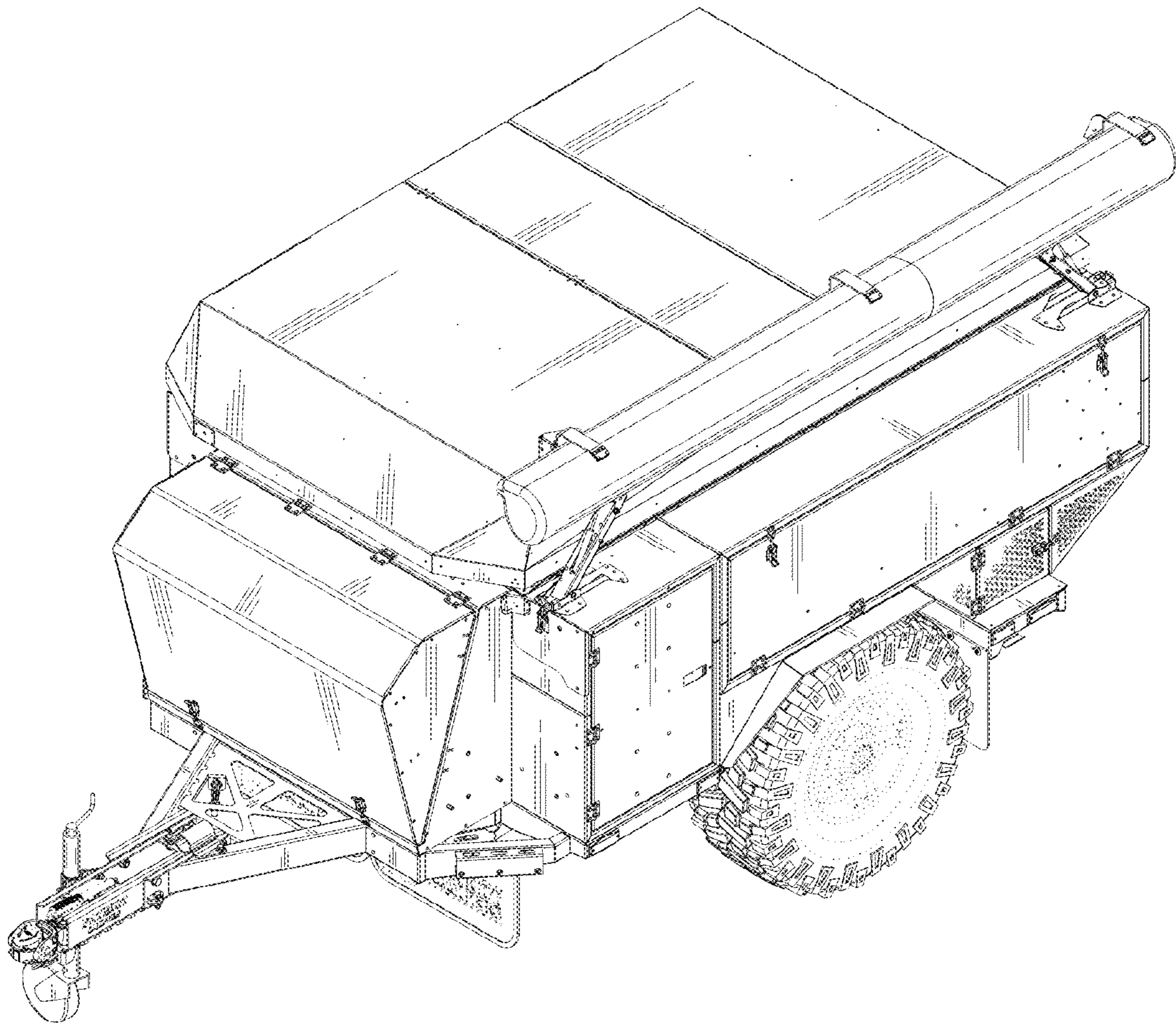


FIG. 1

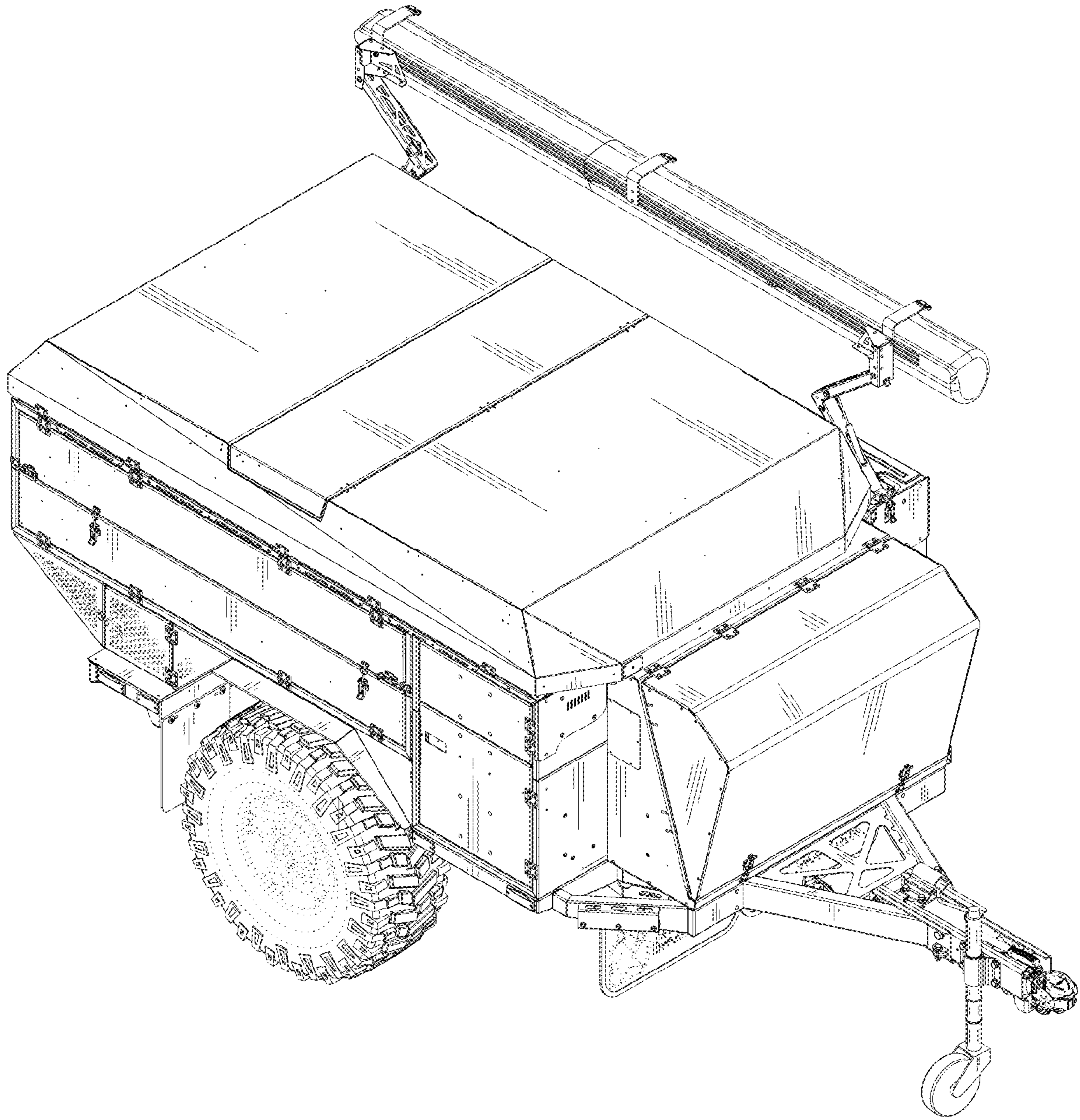


FIG. 2

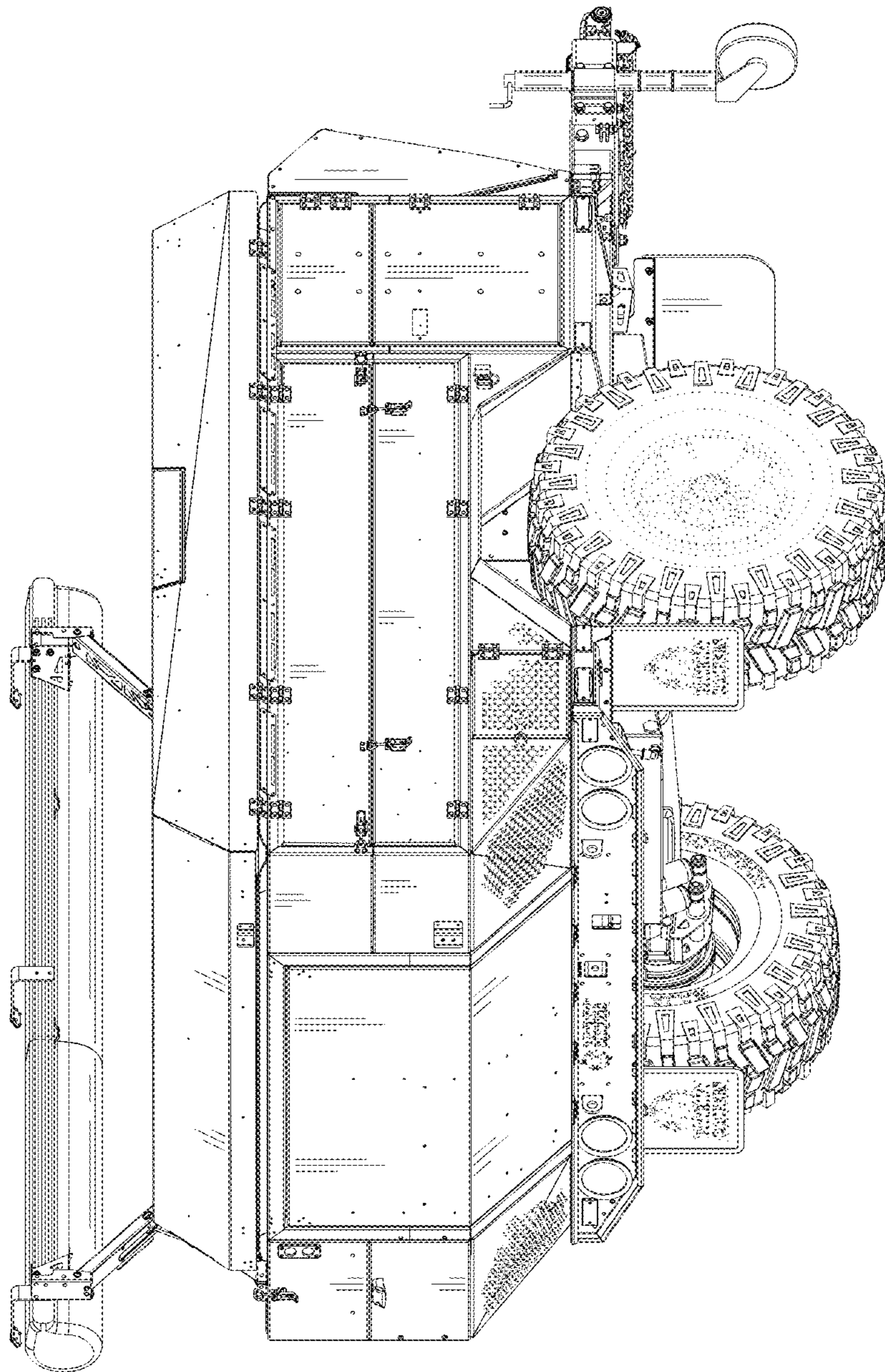


FIG. 3

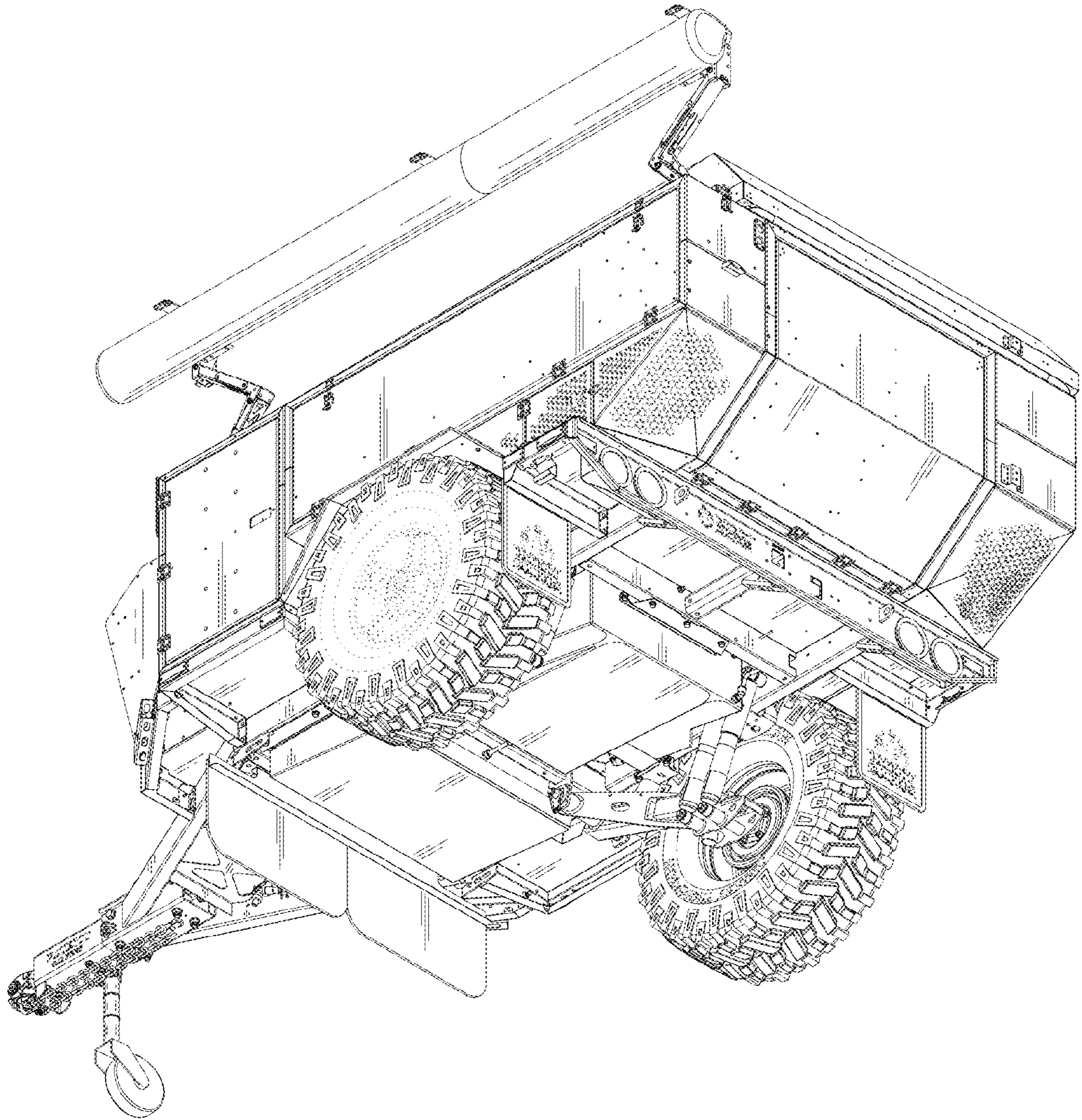


FIG. 4

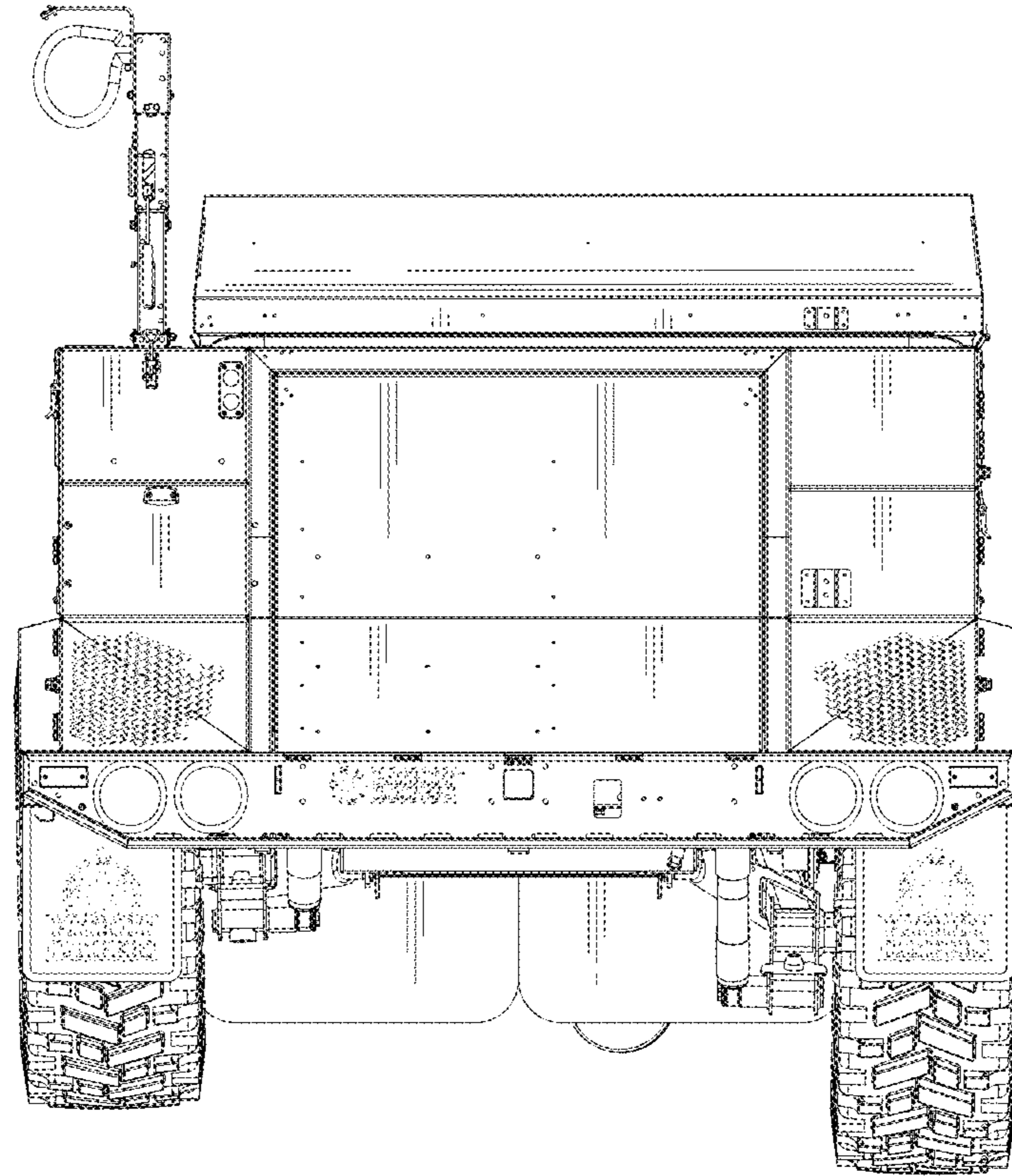


FIG. 5

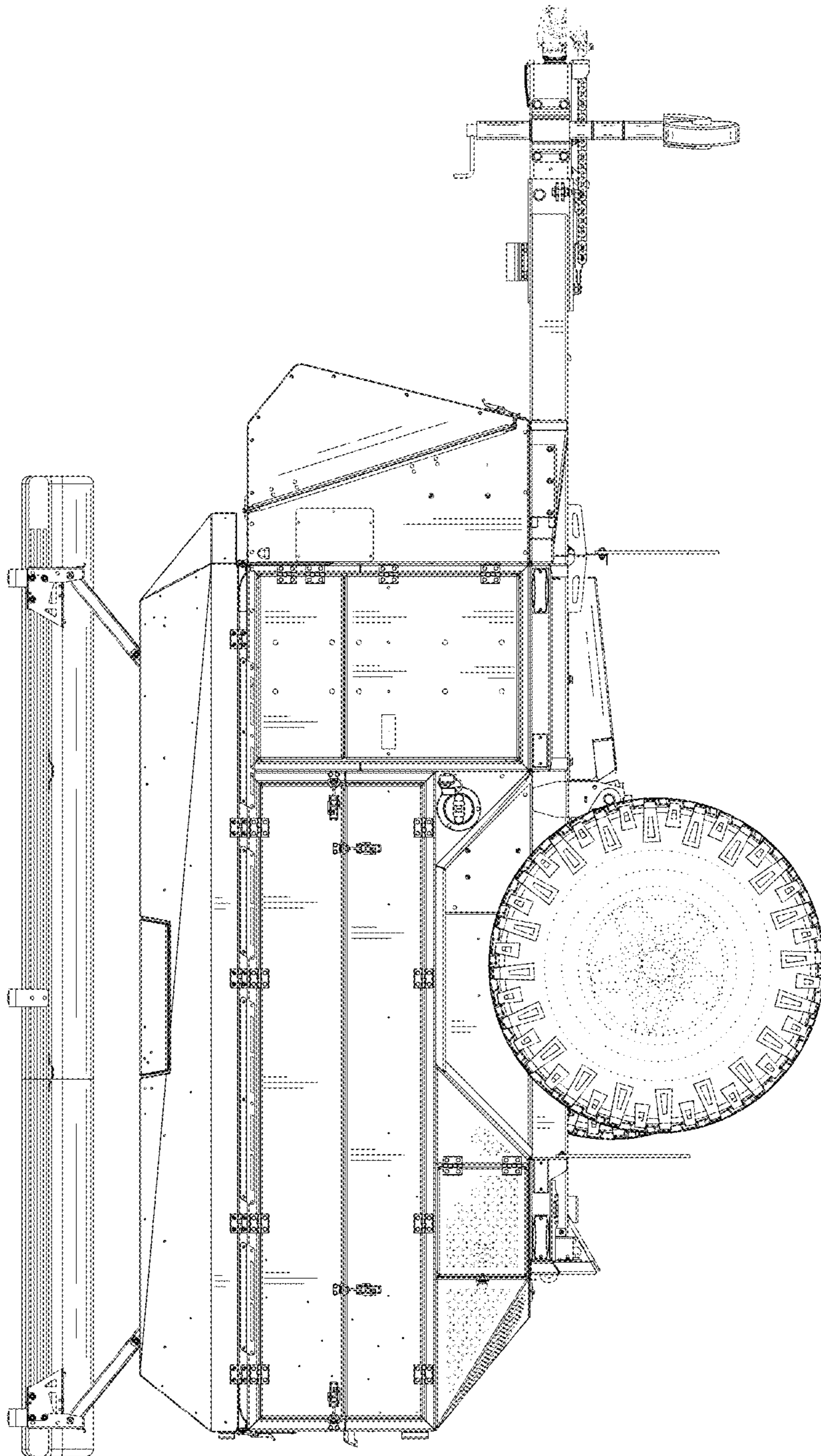


FIG. 6

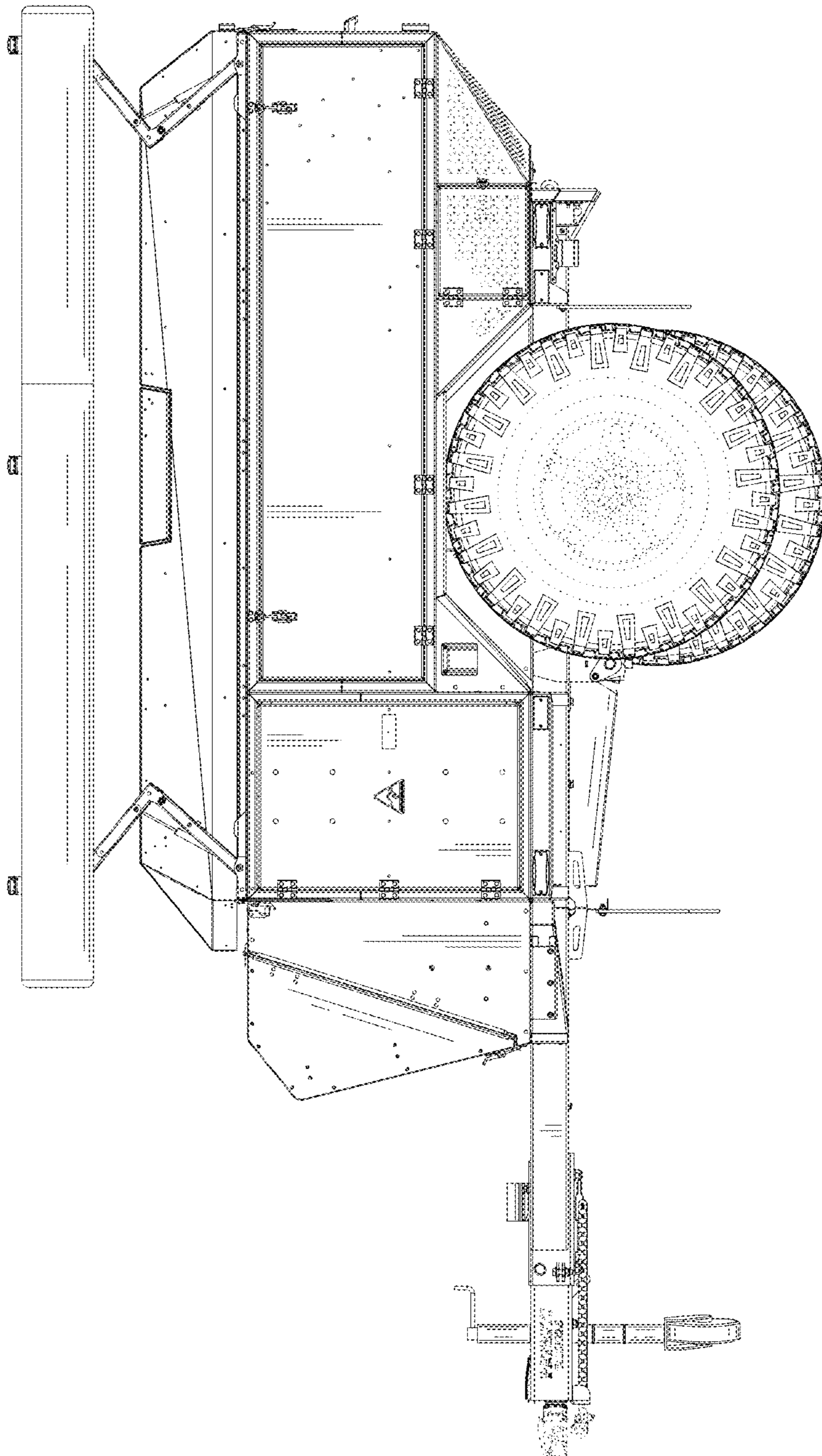


FIG. 7



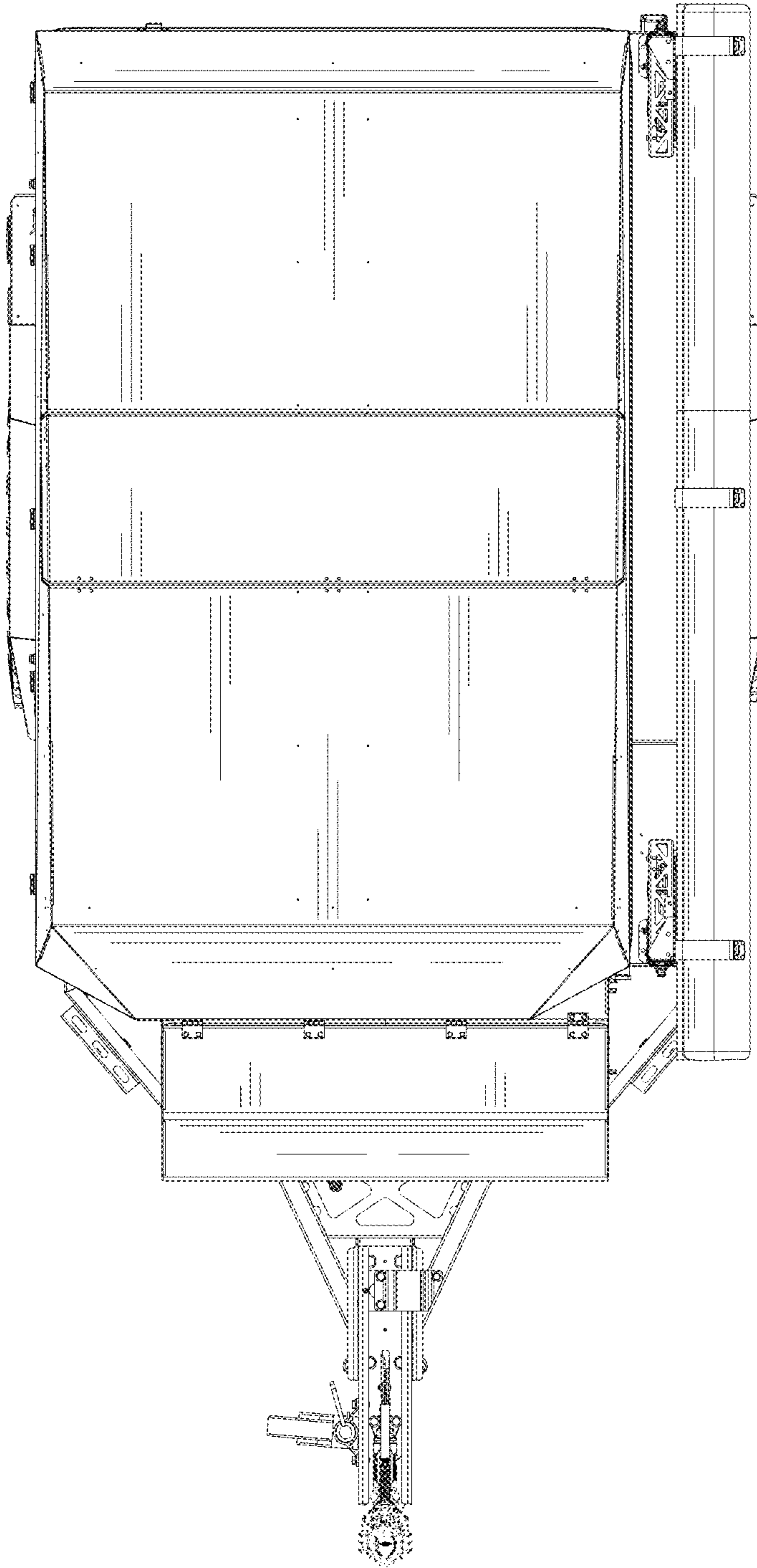


FIG. 8