



US00D947716S

(12) **United States Design Patent**
Paik et al.

(10) **Patent No.:** **US D947,716 S**
(45) **Date of Patent:** **** Apr. 5, 2022**

(54) **BUCKLE FOR BAG**

- (71) Applicant: **WOJIN PLASTIC Co., Ltd.**,
Namyangju-si (KR)
- (72) Inventors: **Ji Sook Paik**, Seoul (KR); **Nan Hee Paik**, Seoul (KR); **Ji Hye Paik**, Seoul (KR); **Ji Won Son**, Seoul (KR)
- (73) Assignee: **WOJIN PLASTIC CO., LTD.**,
Namyangju-si (KR)
- (**) Term: **15 Years**
- (21) Appl. No.: **29/702,405**
- (22) Filed: **Aug. 19, 2019**

(30) **Foreign Application Priority Data**

Feb. 19, 2019 (KR) 30-2019-0007405

(51) **LOC (13) Cl.** **02-07**

(52) **U.S. Cl.**
USPC **D11/216**

(58) **Field of Classification Search**
USPC D11/200, 201, 206, 212, 215, 216, 218,
D11/220; D29/100-101.5; D3/216;
D2/627-640; D6/333

CPC ... A44B 11/001; A44B 11/005; A44B 11/008;
A44B 11/02; A44B 11/00; A44B 11/065;
A44B 11/08; A44B 11/10; A44B 11/12;
A44B 11/125; A44B 11/14; A44B 11/226;
A44B 11/25; A44B 11/2503; A44B
11/2507; A44B 11/2511; A44B 11/2515;
A44B 11/2519; A44B 11/2523; A44B
11/253; A44B 11/2538; A44B 11/2549;
A44B 11/2553; A44B 11/2557; A44B
11/2561; A44B 11/2569; A44B 11/2576;

(Continued)

(56) **References Cited**

U.S. PATENT DOCUMENTS

- D343,144 S * 1/1994 Matoba D11/216
- 6,360,410 B1 * 3/2002 Lovato A44B 11/006
24/170

(Continued)

OTHER PUBLICATIONS

Wojin Magic Catcher, no date available, [online], [site visited Dec. 23, 2020]. Retrieved from url:http://www.wojinplastic.com/kr/product/view.php?idx=518&part1_idx=20&part_idx=116 (Year: 2020).*

(Continued)

Primary Examiner — Wendy L Arminio

Assistant Examiner — Tracey J Bell

(74) *Attorney, Agent, or Firm* — Paratus Law Group, PLLC

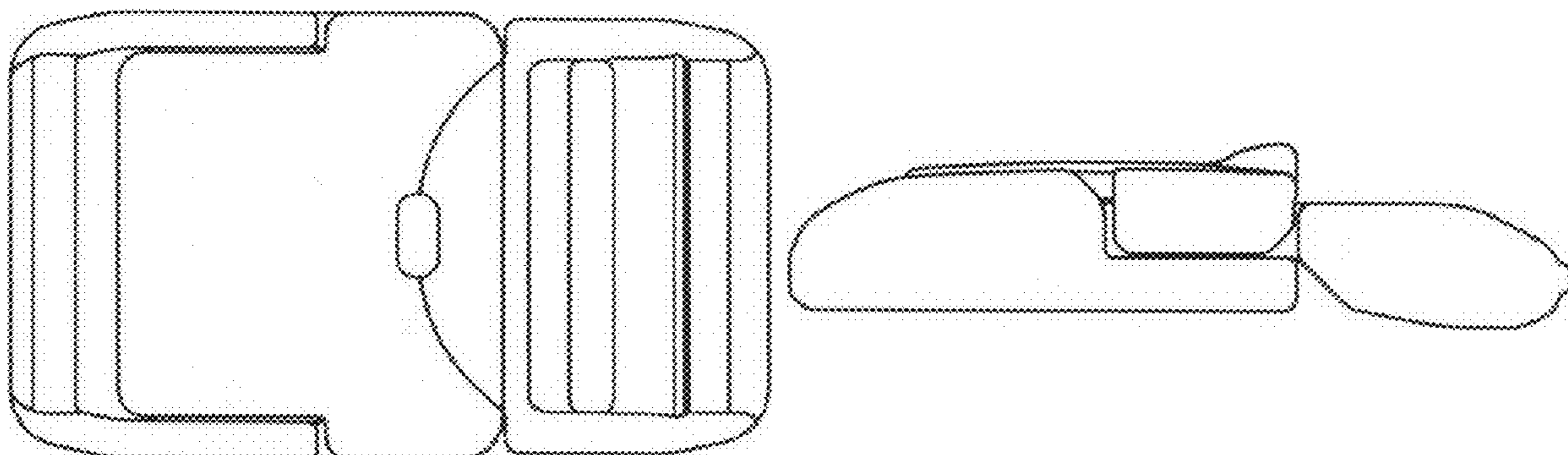
(57) **CLAIM**

The ornamental design for a buckle for bag, as shown and described.

DESCRIPTION

FIG. 1 is a front, top and right perspective view of a buckle for bag showing claimed design;
 FIG. 2 is a front view thereof;
 FIG. 3 is a left side view thereof;
 FIG. 4 is a right side view thereof;
 FIG. 5 is a top view thereof;
 FIG. 6 is a bottom view thereof;
 FIG. 7 is an exploded view thereof with a strap attached thereto;
 FIG. 8 is another exploded view thereof with a portion thereof open; and,
 FIG. 9 is a reference view showing the buckle for bag in use. The portions of the buckle for bag shown in broken lines in FIGS. 3, 7, and 8 form no part of the claimed design. Environment shown in broken lines in FIGS. 7-9 form no part of the claimed design.

1 Claim, 5 Drawing Sheets



(58) **Field of Classification Search**

CPC A44B 11/258; A44B 11/2588; A44B 11/26
See application file for complete search history.

(56) **References Cited**

U.S. PATENT DOCUMENTS

D714,682 S * 10/2014 Paik D11/216
8,935,833 B2 * 1/2015 Kaneko A44B 11/12
24/170
D749,983 S * 2/2016 Paik D11/216
D774,413 S * 12/2016 Paik D11/216
D778,777 S * 2/2017 Paik D11/216
2013/0185902 A1 * 7/2013 Kaneko A44B 11/12
24/324
2017/0127767 A1 * 5/2017 Paik A45C 13/1069
2017/0172262 A1 * 6/2017 Paik A45F 3/047
2019/0335860 A1 * 11/2019 Ying A45C 13/1084
2019/0387844 A1 * 12/2019 Millward A44B 11/06
2020/0359761 A1 * 11/2020 Paik A44B 11/26

OTHER PUBLICATIONS

Woojin Magic Catcher Pouch, no date available, [online], [site visited Dec. 23, 2020]. Retrieved from url: http://www.wojinplastic.com/kr/product/view.php?idx=519&part1_idx=20&part_idx=116 (Year: 2020).*

* cited by examiner

FIG. 1

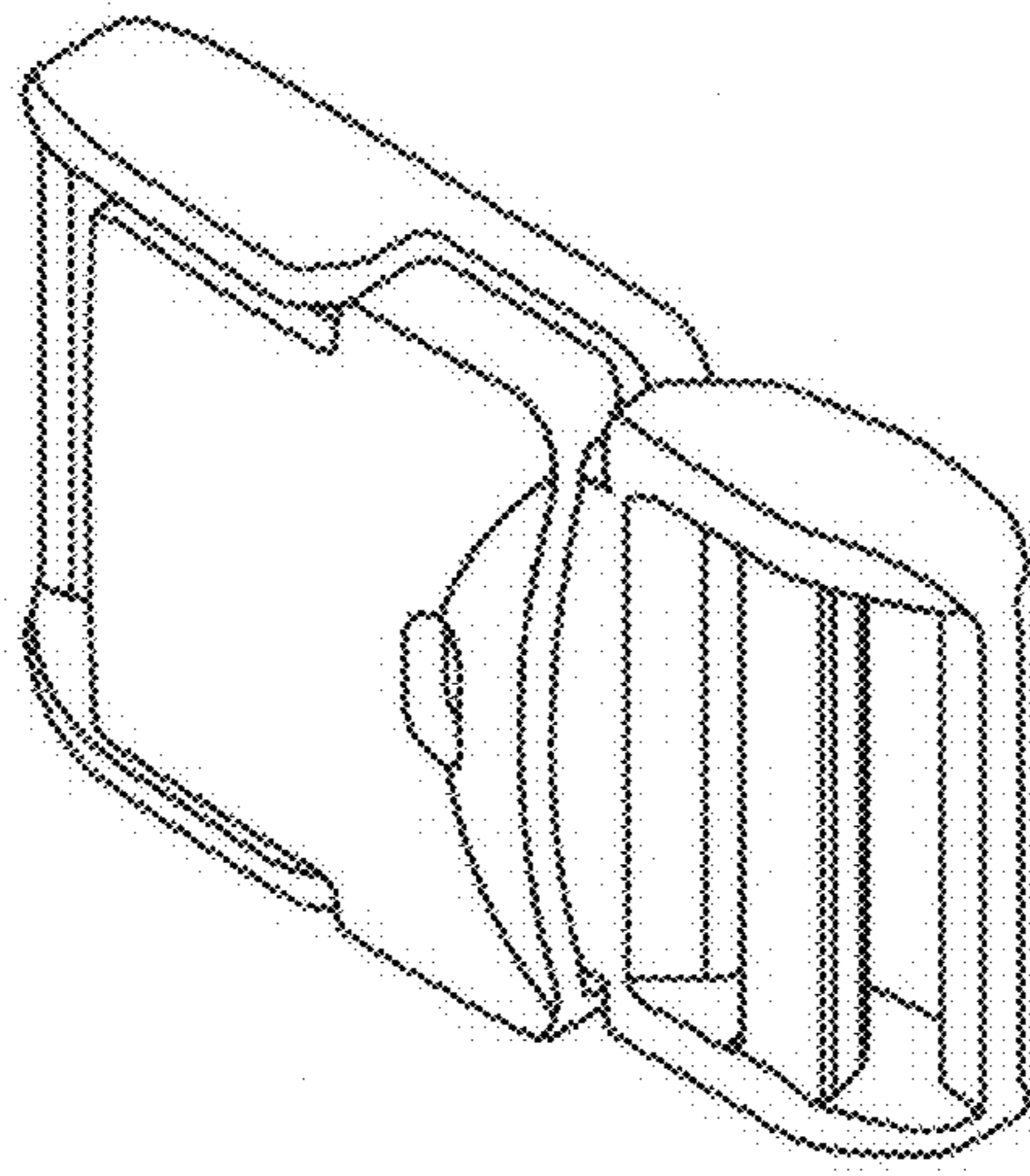


FIG. 2

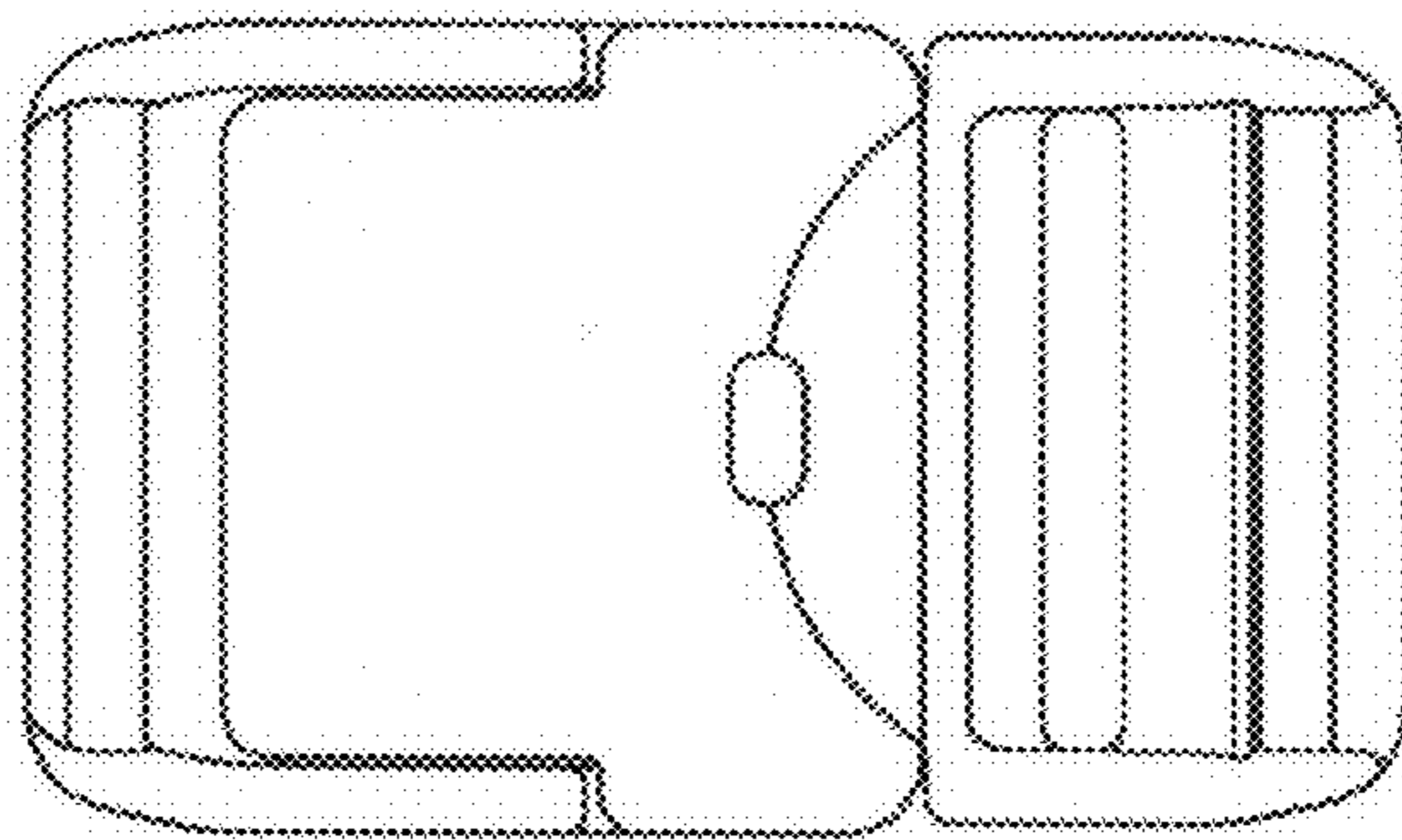


FIG. 3



FIG. 4

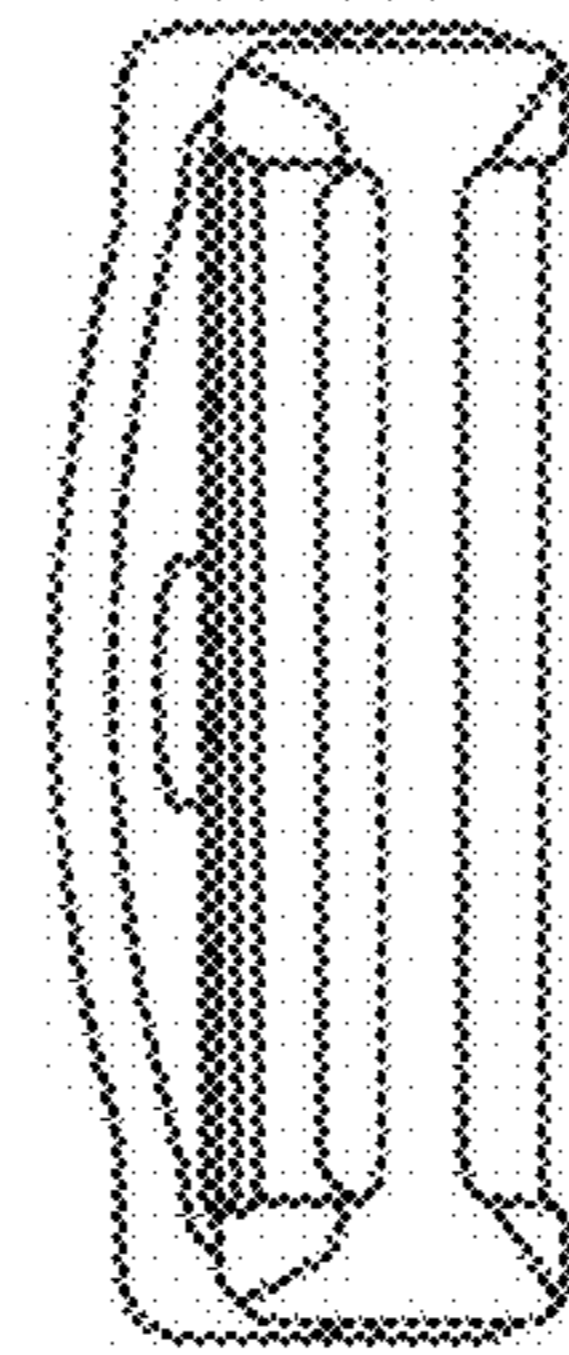


FIG. 5



FIG. 6

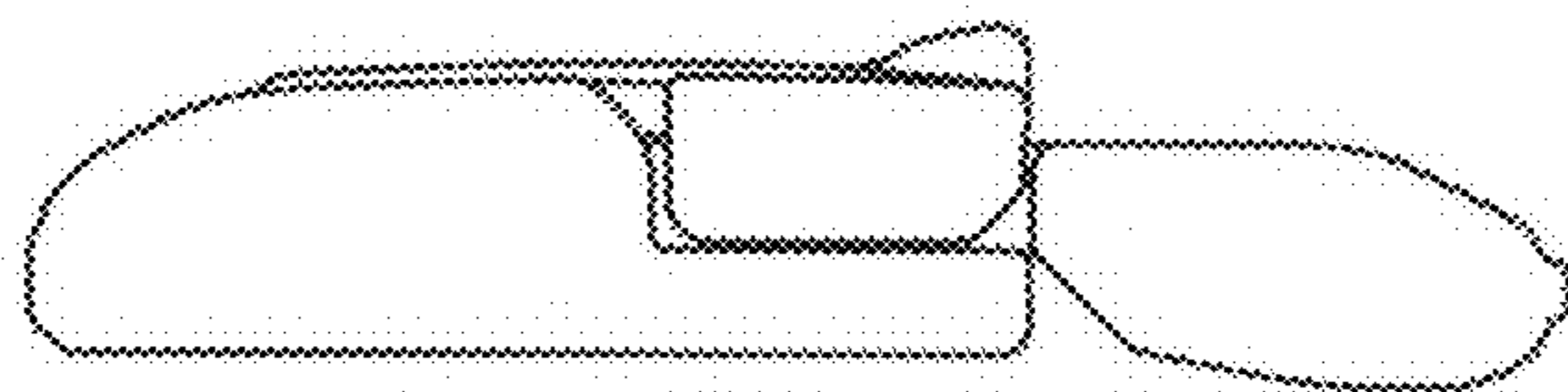


FIG. 7

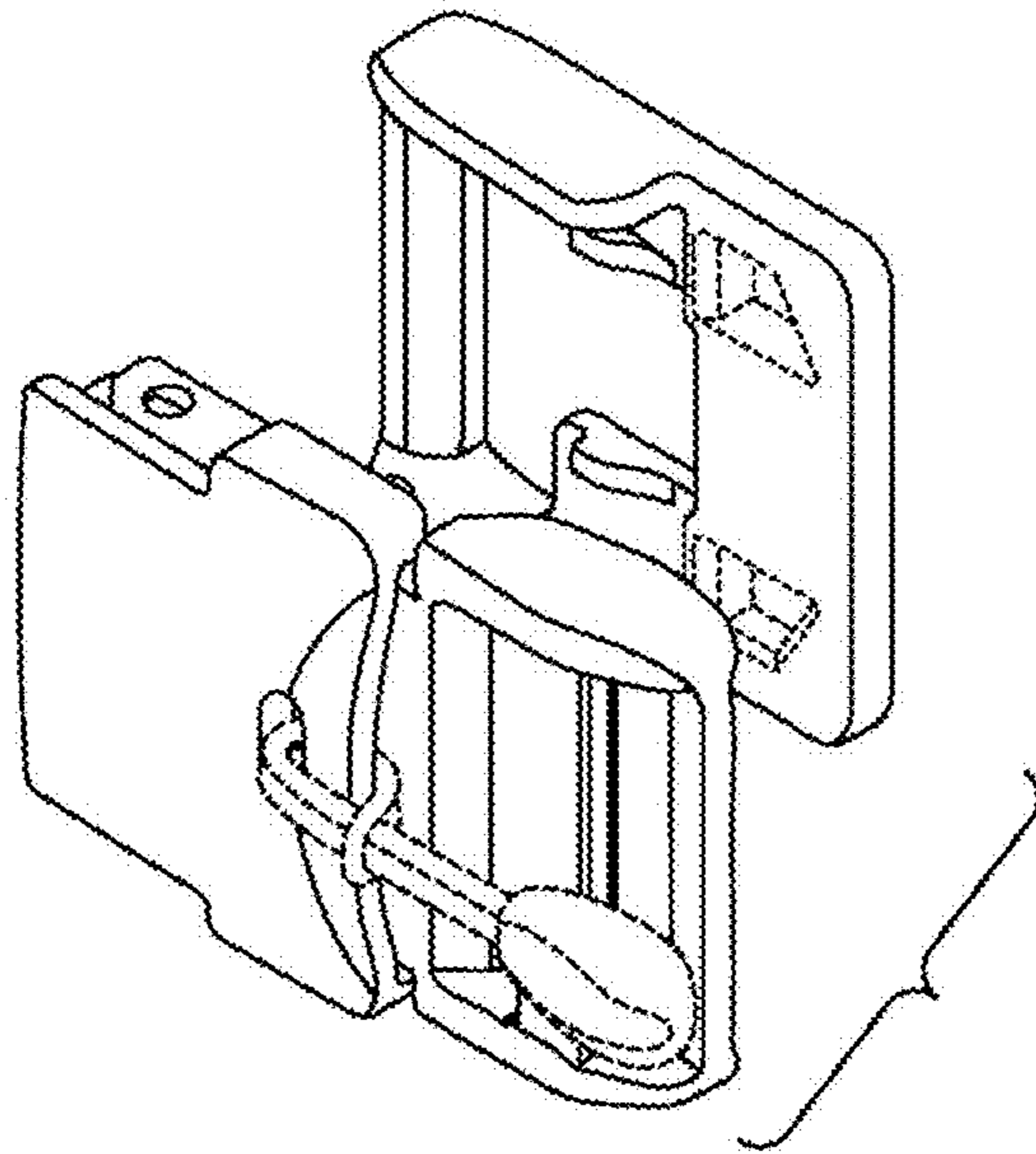


FIG. 8

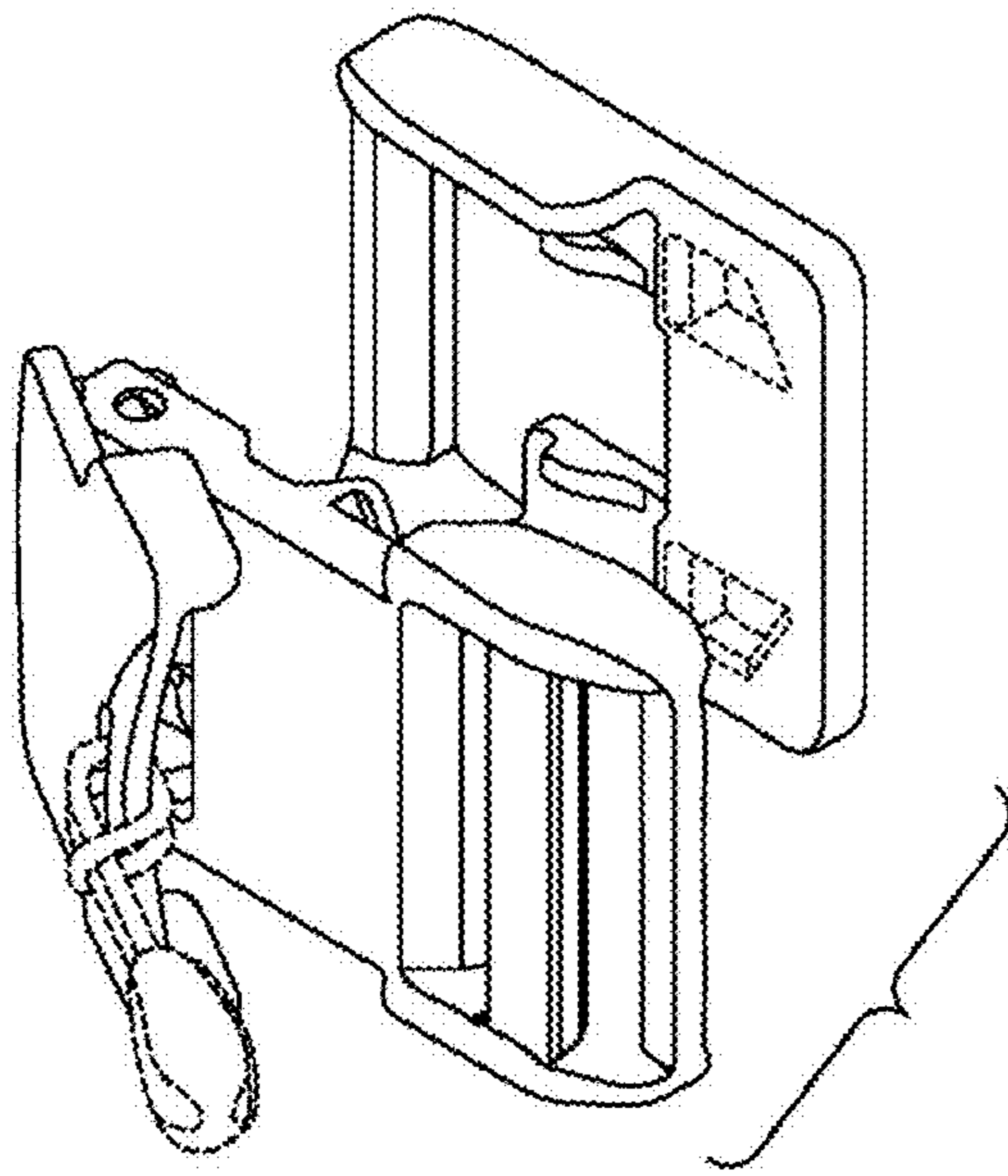


FIG. 9

