



US00D947714S

(12) **United States Design Patent**
Bae

(10) **Patent No.:** **US D947,714 S**

(45) **Date of Patent:** **** Apr. 5, 2022**

(54) **FLOWERPOT**

(71) Applicant: **Moon Ok Bae**, Seoul (KR)

(72) Inventor: **Moon Ok Bae**, Seoul (KR)

(**) Term: **15 Years**

(21) Appl. No.: **29/731,574**

(22) Filed: **Apr. 16, 2020**

(30) **Foreign Application Priority Data**

Oct. 31, 2019 (KR) 30-2019-0051784

(51) **LOC (13) Cl.** **11-02**

(52) **U.S. Cl.**
USPC **D11/152**

(58) **Field of Classification Search**
USPC D11/143–156, 164; D6/403–405,
D6/556–558; D7/507, 509, 523, 584, 587
CPC . A01G 9/02; A01G 9/021; A01G 9/04; A01G
27/003; A01G 31/02; A01G 31/06
See application file for complete search history.

(56) **References Cited**

U.S. PATENT DOCUMENTS

- 2,675,954 A * 4/1954 Vogel B65D 81/3869
220/592.17
- D241,462 S * 9/1976 Criscitbello D11/152
- 5,044,119 A * 9/1991 Hougard A47G 7/08
47/75
- 5,174,061 A * 12/1992 Dambricourt A47G 7/08
47/72
- D407,043 S * 3/1999 Kojima D11/164
- 5,983,566 A * 11/1999 Enderlein A01G 9/02
47/66.7
- D444,672 S * 7/2001 Miura D7/507
- D444,735 S * 7/2001 Ratnayake D11/153
- D461,432 S * 8/2002 Carlson D11/152
- 6,594,953 B2 * 7/2003 Weder A01G 9/026
47/75

- D485,784 S * 1/2004 Fan D11/143
- 6,705,046 B2 * 3/2004 Weder A47G 7/085
206/423
- D531,081 S * 10/2006 Fan D11/143
- D572,168 S * 7/2008 Kurtz D11/152
- 8,268,417 B2 * 9/2012 Helou, Jr. B65D 25/14
428/34.2
- D669,814 S * 10/2012 Plucinski D11/152
- 8,911,843 B2 * 12/2014 Dellinger B65D 65/466
428/36.4
- D746,641 S * 1/2016 Panone D7/602
- 9,301,630 B2 * 4/2016 Guo B65D 25/34
- D781,932 S * 3/2017 Yoshikawa D15/80
- 9,951,248 B2 * 4/2018 Samet C09D 5/00
- D827,486 S * 9/2018 Quinlan D11/143
- D848,266 S * 5/2019 Yi D9/500
- D852,086 S * 6/2019 Crosby D11/143
- D853,271 S * 7/2019 Crosby D11/143
- D869,951 S * 12/2019 Yi D9/500
- D879,658 S * 3/2020 Ockenfeld D11/152

(Continued)

Primary Examiner — Elizabeth A. Albert

(74) *Attorney, Agent, or Firm* — Lex IP Meister, PLLC

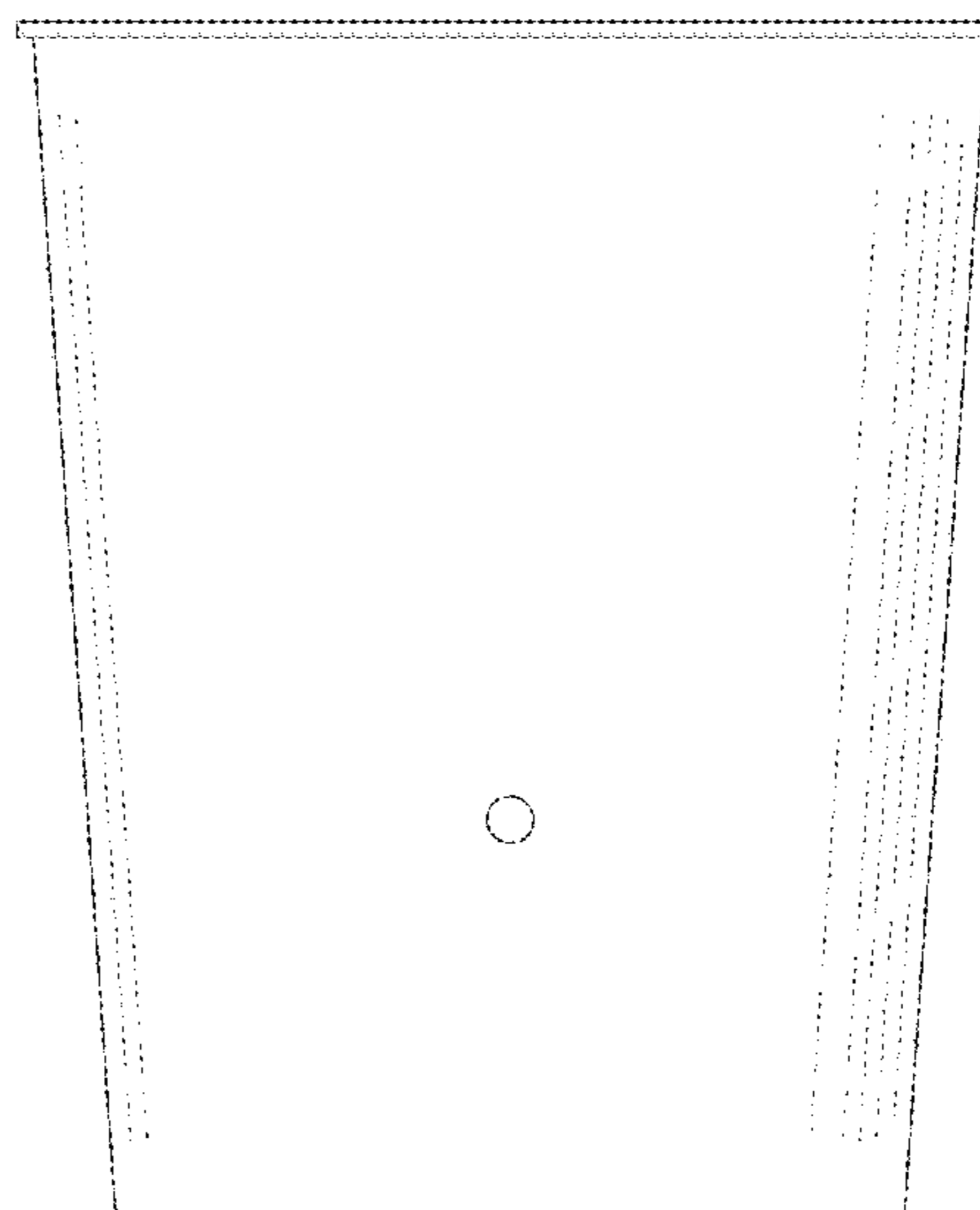
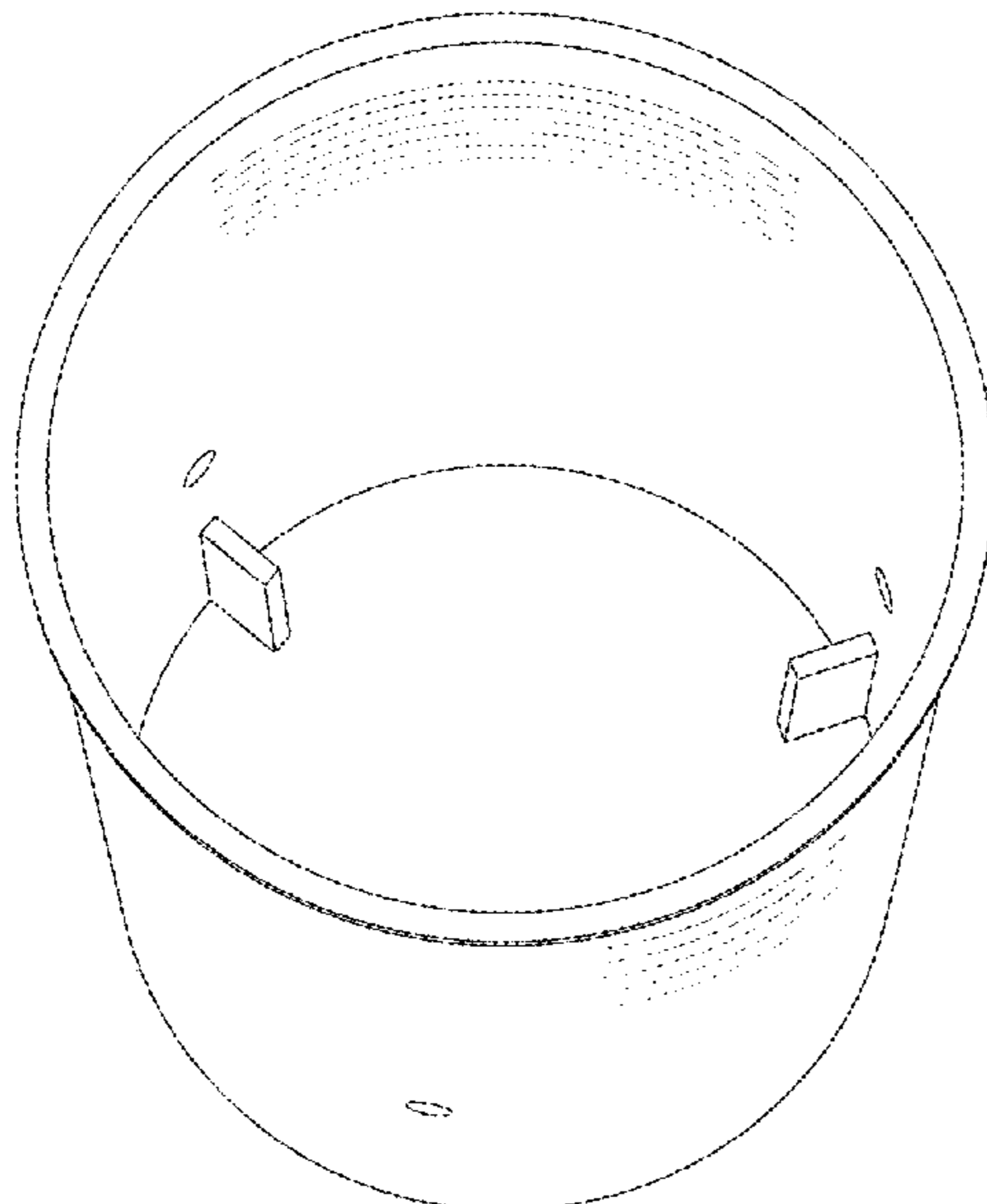
(57) **CLAIM**

The ornamental design for a flowerpot, as shown and described.

DESCRIPTION

FIG. 1 is a perspective view of a flowerpot showing our new design;
 FIG. 2 is a front elevational view thereof;
 FIG. 3 is a rear elevational view thereof;
 FIG. 4 is a left side elevational view thereof;
 FIG. 5 is a right side elevational view thereof;
 FIG. 6 is a top plan view thereof;
 FIG. 7 is a bottom plan view thereof; and,
 FIG. 8 is a cross-sectional view that is taken along a line VIII-VIII of FIG. 6.

1 Claim, 8 Drawing Sheets



(56)

References Cited

U.S. PATENT DOCUMENTS

2012/0097602	A1*	4/2012	Tedford	B65D 65/466 210/500.1
2013/0098916	A1*	4/2013	Charles	B65D 71/70 220/507
2013/0209619	A1*	8/2013	Mahlich	B65D 1/26 426/115
2018/0237655	A1*	8/2018	Samet	A01G 9/021
2018/0352753	A1*	12/2018	Thompson	A01G 9/006
2020/0077606	A1*	3/2020	Hung	A01G 9/02

* cited by examiner

FIG. 1

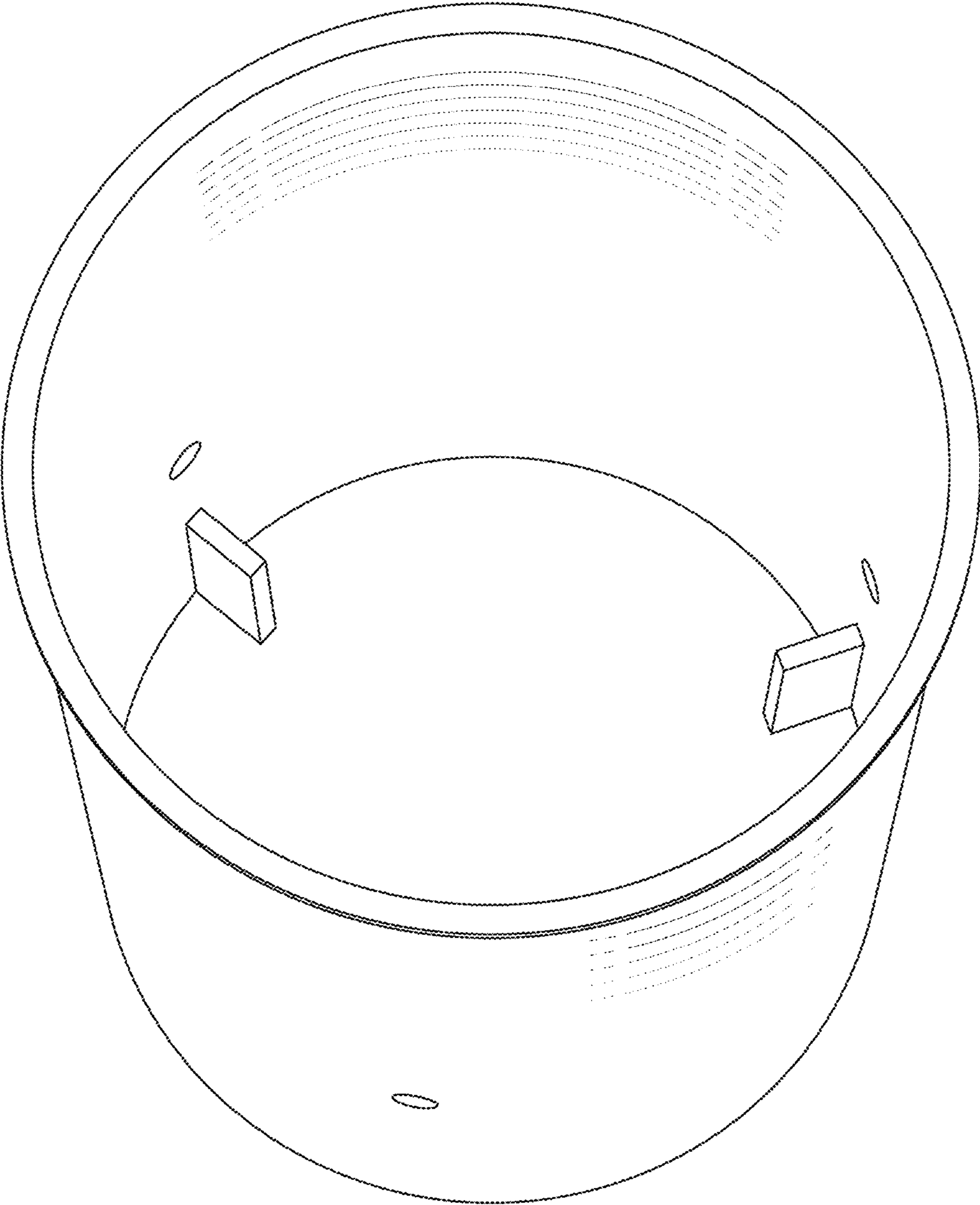


FIG. 2

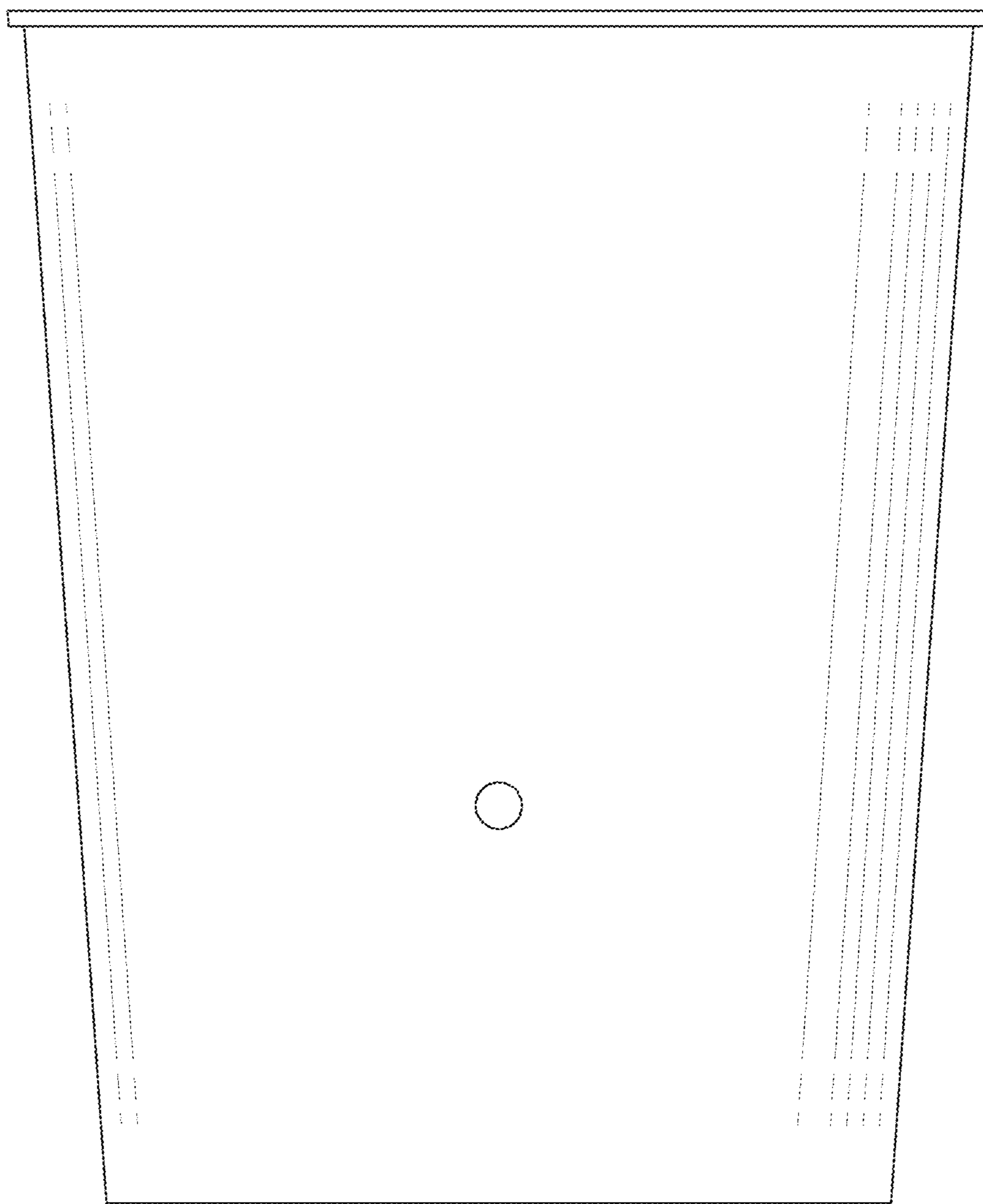


FIG. 3

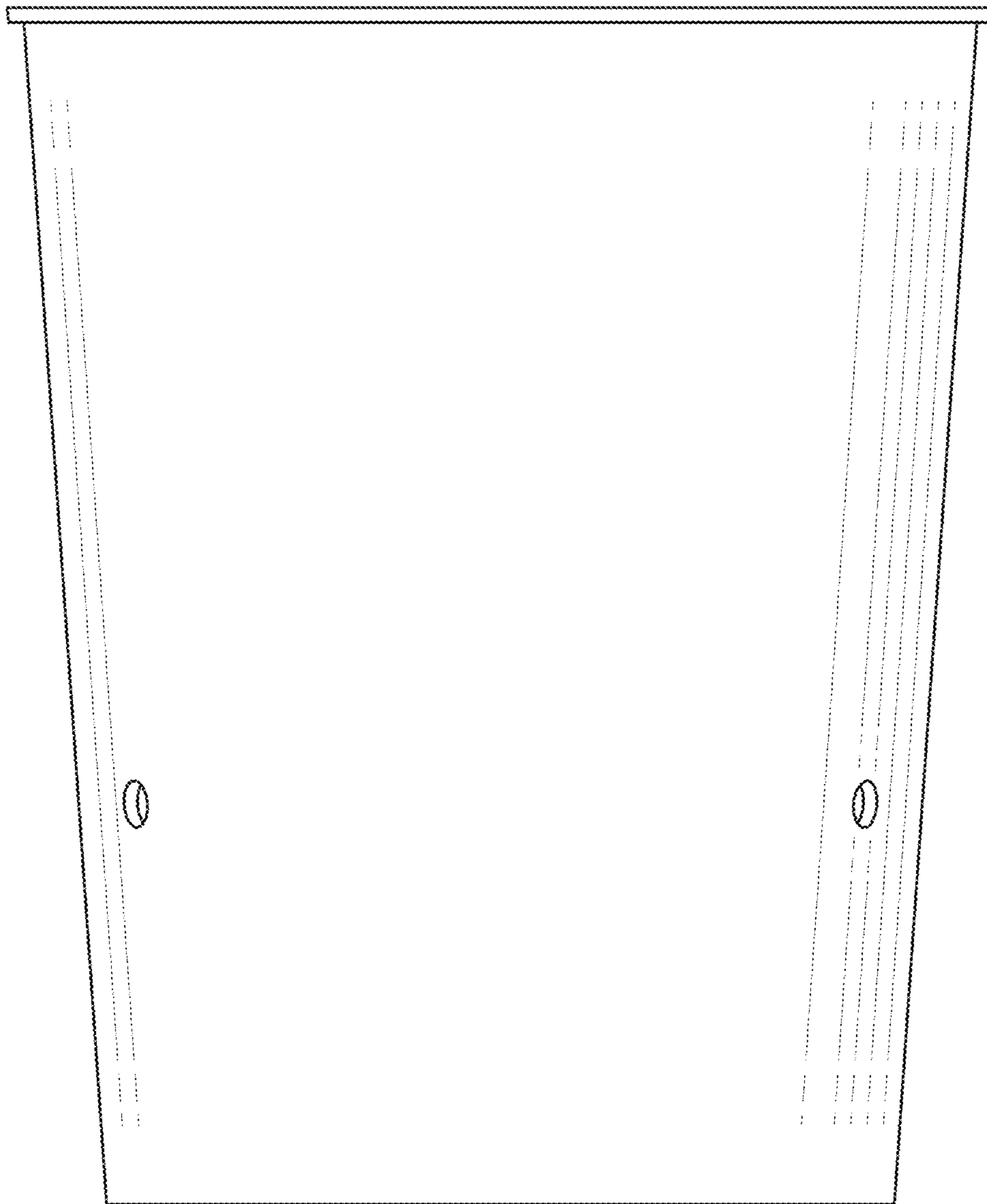


FIG. 4

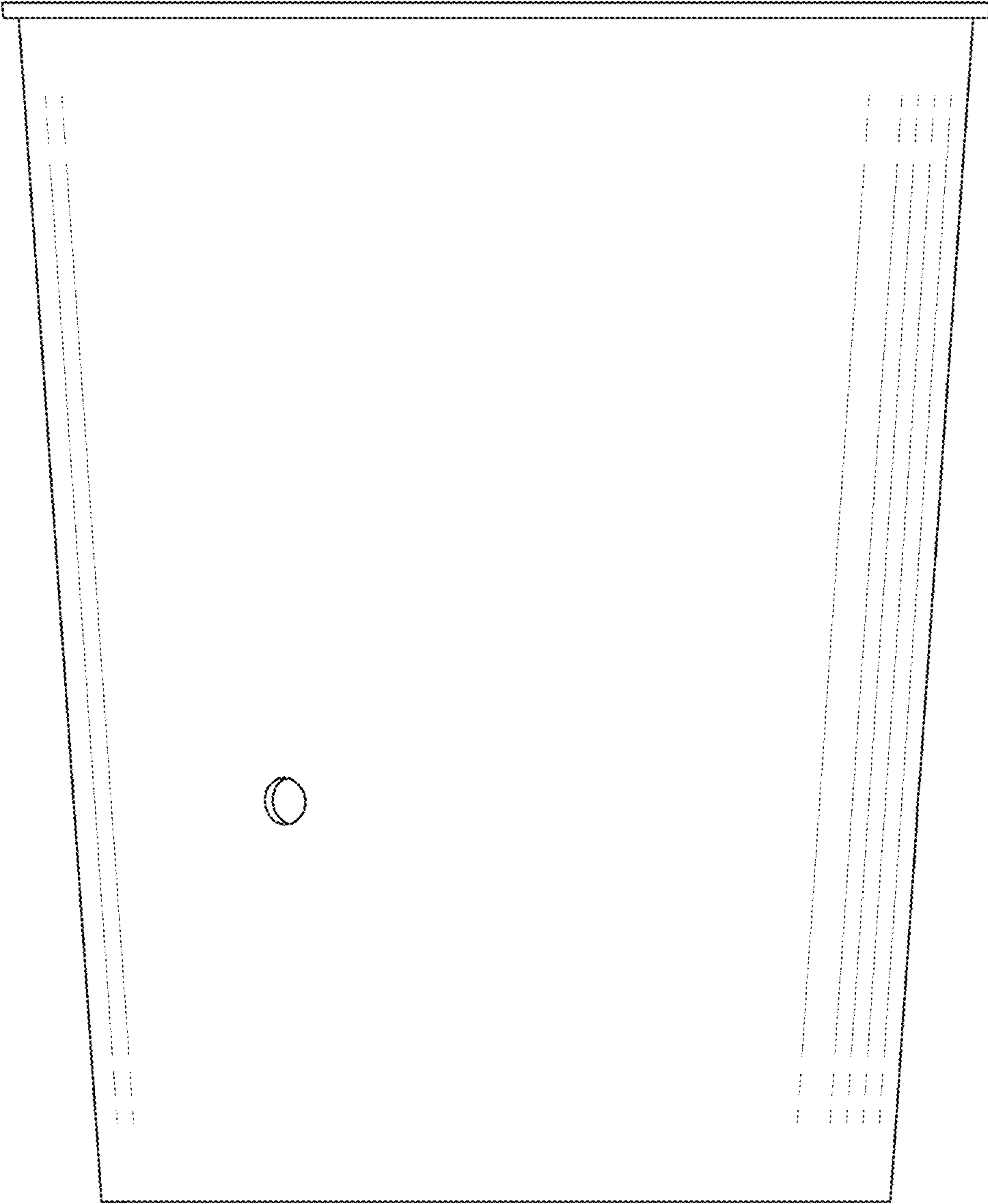


FIG. 5

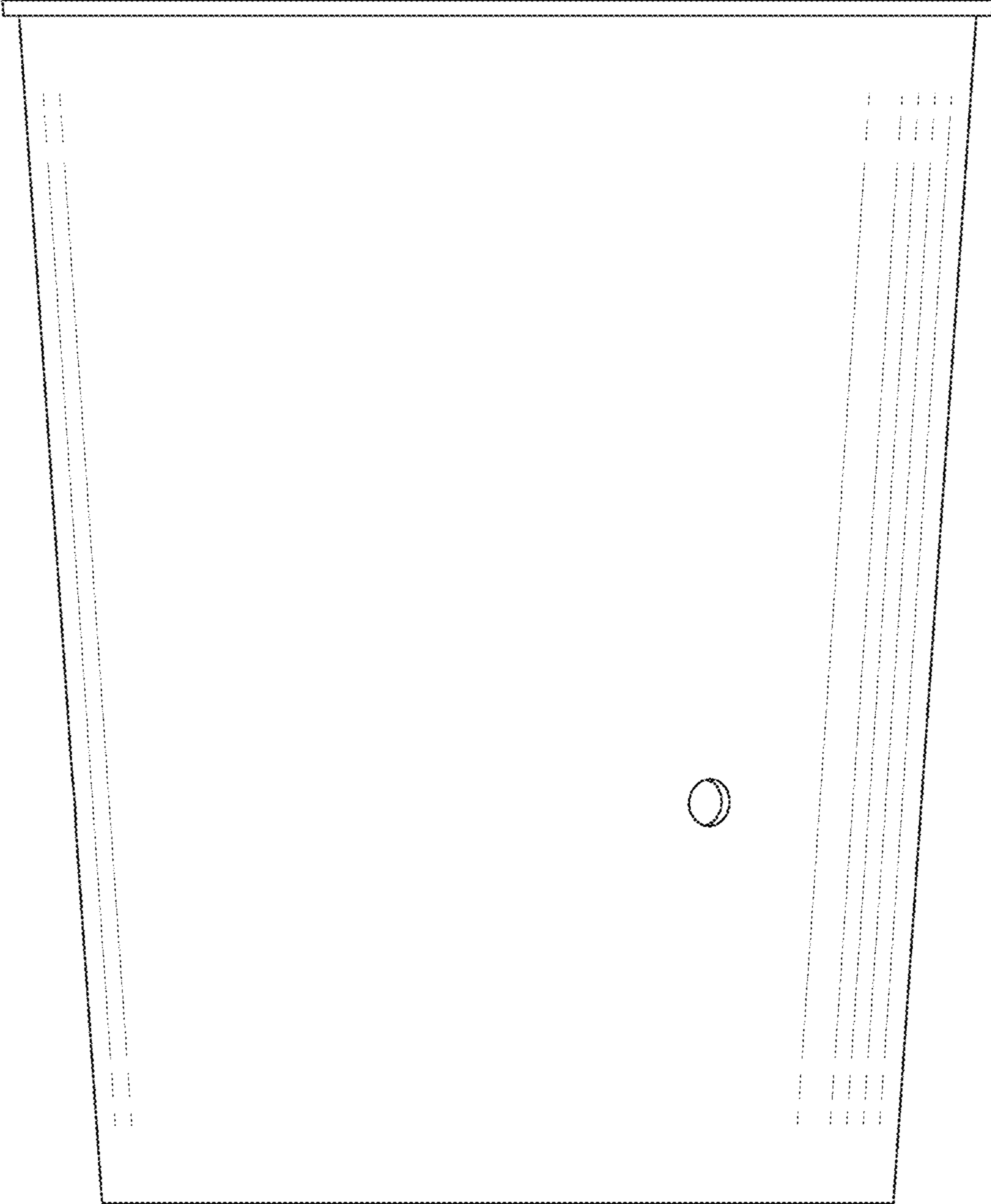


FIG. 6

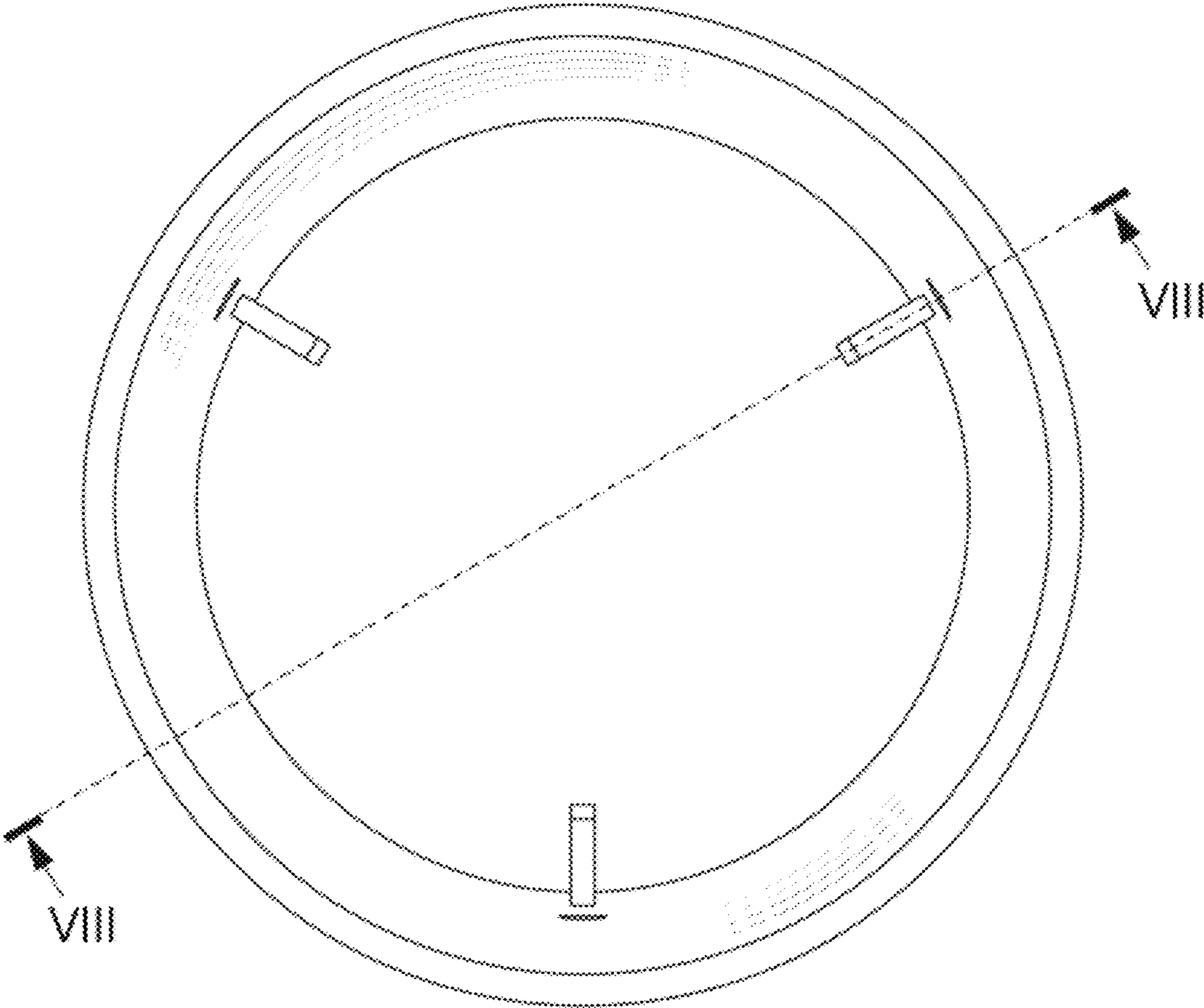


FIG. 7

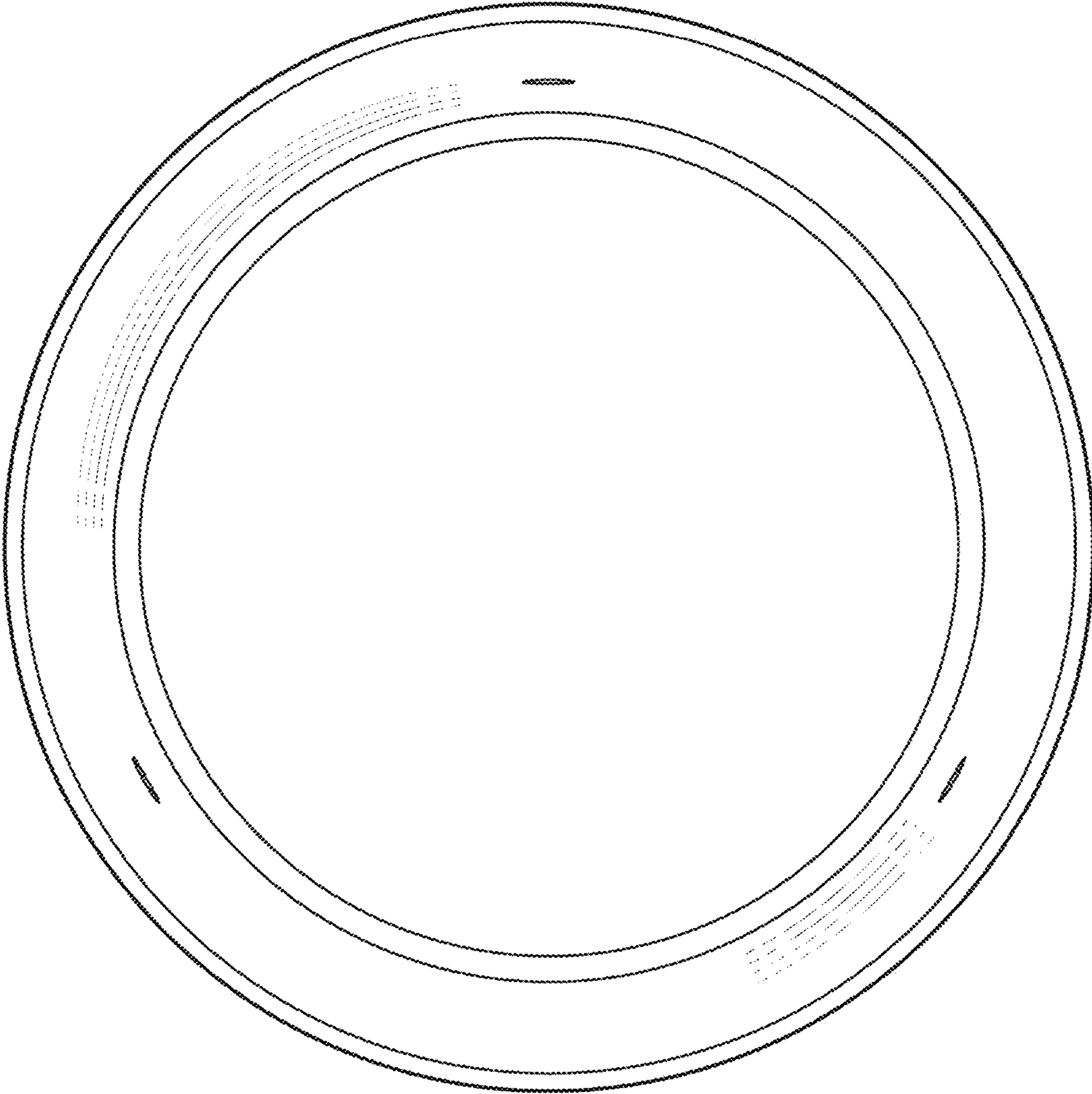


FIG. 8

