



US00D947713S

(12) **United States Design Patent** (10) **Patent No.:** **US D947,713 S**
Arthur (45) **Date of Patent:** **** Apr. 5, 2022**

(54) **PLANTER**
(71) Applicant: **Williams-Sonoma, Inc.**, San Francisco, CA (US)
(72) Inventor: **Emily Arthur**, Brooklyn, NY (US)
(73) Assignee: **Williams-Sonoma, Inc.**, San Francisco, CA (US)

(**) Term: **15 Years**
(21) Appl. No.: **29/728,408**

(22) Filed: **Mar. 18, 2020**
(51) **LOC (13) Cl.** **11-02**
(52) **U.S. Cl.**
USPC **D11/152**
(58) **Field of Classification Search**
USPC D11/143-156, 164; D6/403-405,
D6/556-558; D7/507, 509, 523, 584, 587
CPC . A01G 9/02; A01G 9/021; A01G 9/04; A01G
27/003; A01G 31/02; A01G 31/06
See application file for complete search history.

(56) **References Cited**

U.S. PATENT DOCUMENTS

774,288 A * 11/1904 Temblett et al. A47G 7/06
47/41.1
D217,781 S * 6/1970 Stone D7/523
3,682,347 A * 8/1972 Barrier A47G 7/00
206/423
D233,058 S * 10/1974 Button A01G 9/021
D11/152
D234,531 S * 3/1975 Button D11/152
RE28,854 E * 6/1976 Button A01G 9/021
D11/152
D240,285 S * 6/1976 Sarpaneva D7/509
D256,108 S * 7/1980 Collie D11/152
4,974,741 A * 12/1990 Gustafson B65D 81/3886
206/486
D433,168 S * 10/2000 Cousins D26/9

D478,478 S * 8/2003 Soohoo D11/152
D595,539 S * 7/2009 Starck D7/509
D760,030 S * 6/2016 Wilson D7/558
D790,392 S * 6/2017 Paternostre D11/143
D790,393 S * 6/2017 Paternostre D11/143
D791,013 S * 7/2017 Paternostre D11/143
D791,641 S * 7/2017 Paternostre D11/143

(Continued)

FOREIGN PATENT DOCUMENTS

EM 008589691-0004 * 7/2021

Primary Examiner — Elizabeth A. Albert

(74) *Attorney, Agent, or Firm* — Cook Alex Ltd.

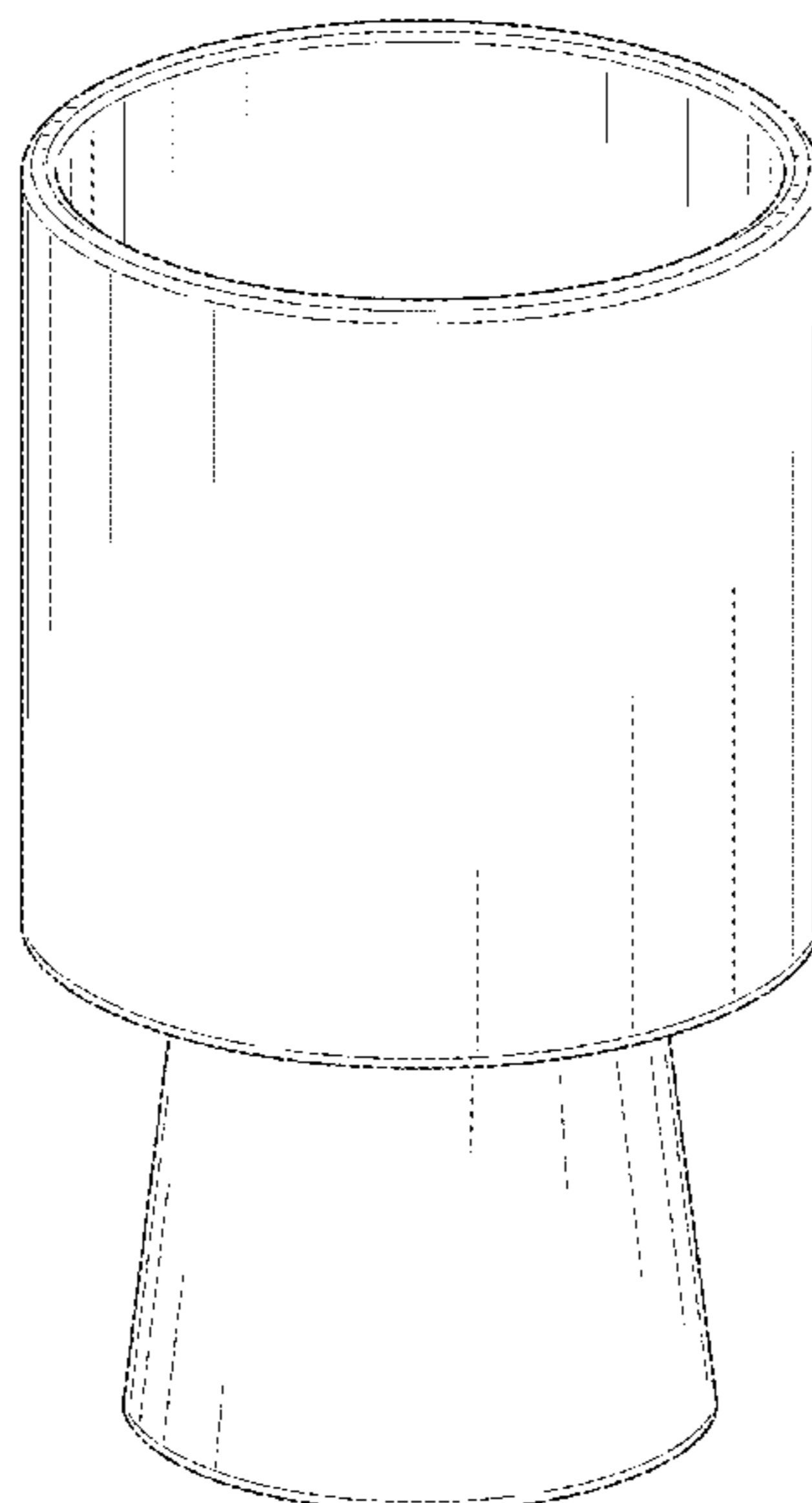
(57) **CLAIM**

The ornamental design for a planter, as shown and described.

DESCRIPTION

FIG. 1 is a perspective view of a first embodiment of the planter;
FIG. 2 is a front elevational view thereof, the opposite side of which is a mirror image;
FIG. 3 is a left side elevational view thereof, the opposite side of which is a mirror image;
FIG. 4 is a top plan view thereof;
FIG. 5 is a bottom plan view thereof;
FIG. 6 is a perspective view of a second embodiment of the planter;
FIG. 7 is a front elevational view thereof, the opposite side of which is a mirror image;
FIG. 8 is a left side elevational view thereof, the opposite side of which is a mirror image;
FIG. 9 is a top plan view thereof; and,
FIG. 10 is a bottom plan view thereof.
The broken lines are included in FIGS. 4, 5, 9 and 10 to show portions of the planter that form no part of the claimed design.

1 Claim, 8 Drawing Sheets



(56)

References Cited

U.S. PATENT DOCUMENTS

D834,447 S * 11/2018 van Smirren A47G 7/06
D11/143
D895,367 S * 9/2020 Hamilton D7/523
D917,970 S * 5/2021 Bullock D7/523
D923,410 S * 6/2021 Hamilton D7/523
2007/0084109 A1* 4/2007 Brister A01G 27/003
47/48.5
2020/0329642 A1* 10/2020 Horiuchi A01G 9/02

* cited by examiner

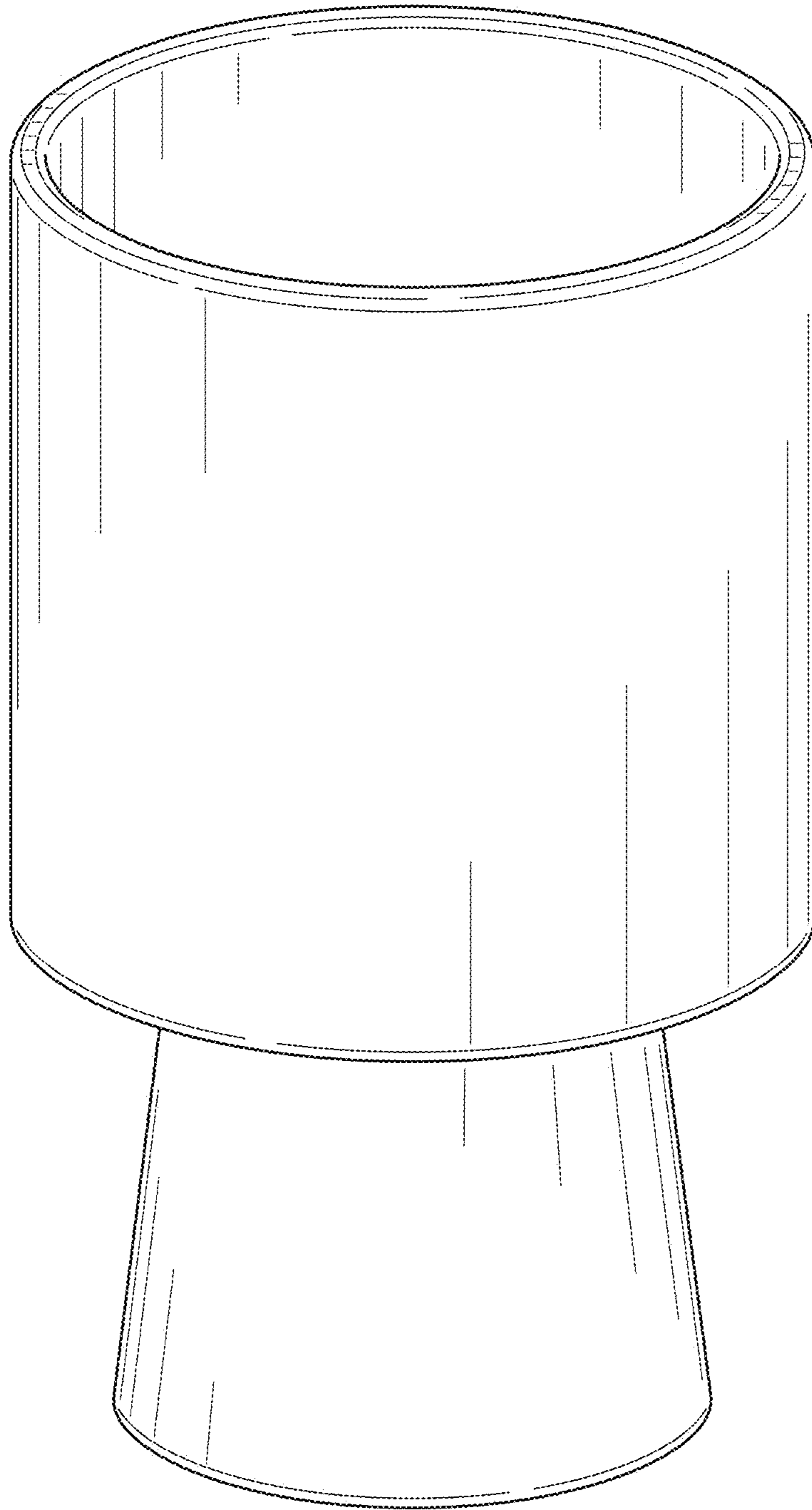


FIG. 1

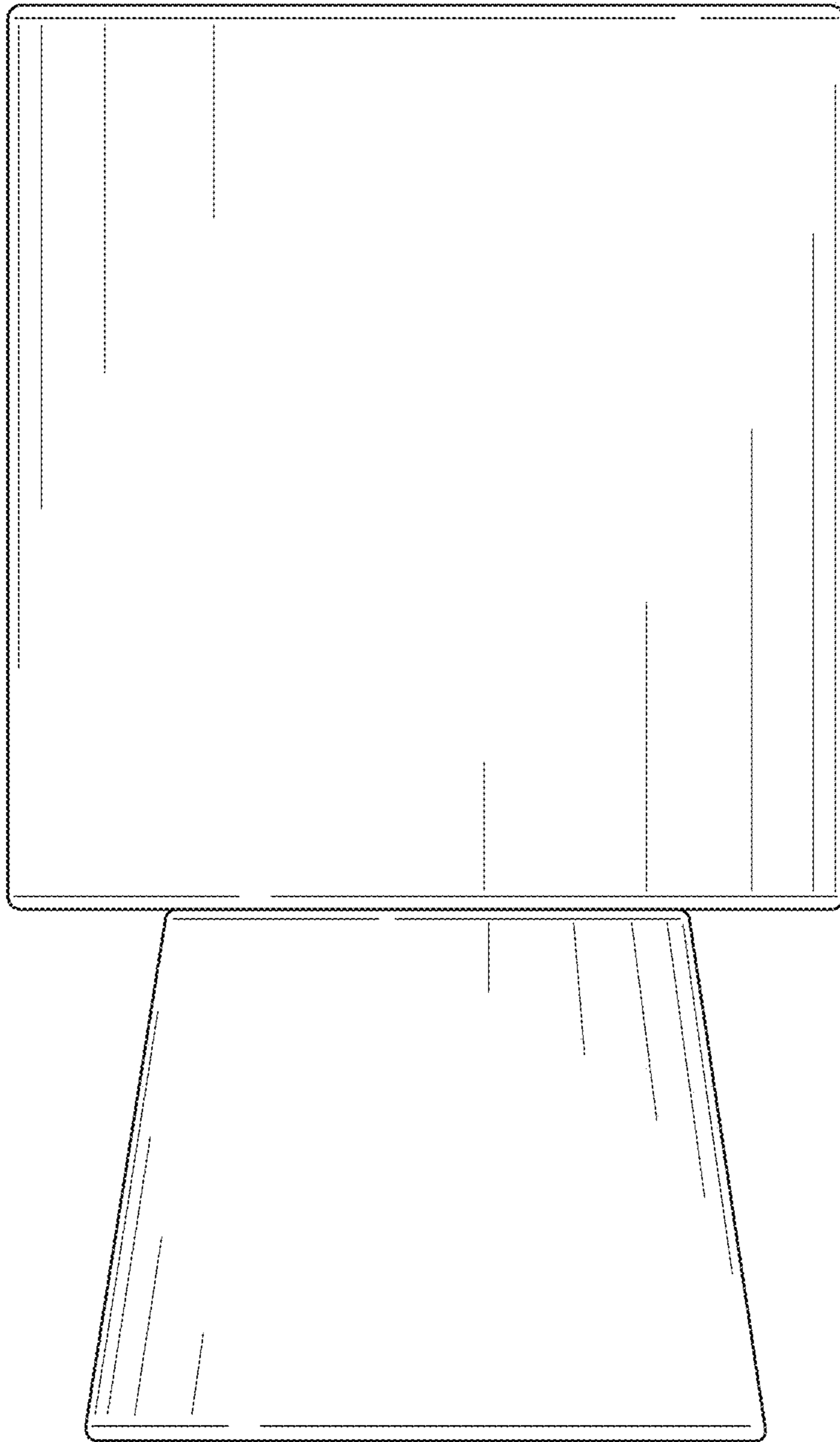


FIG. 2

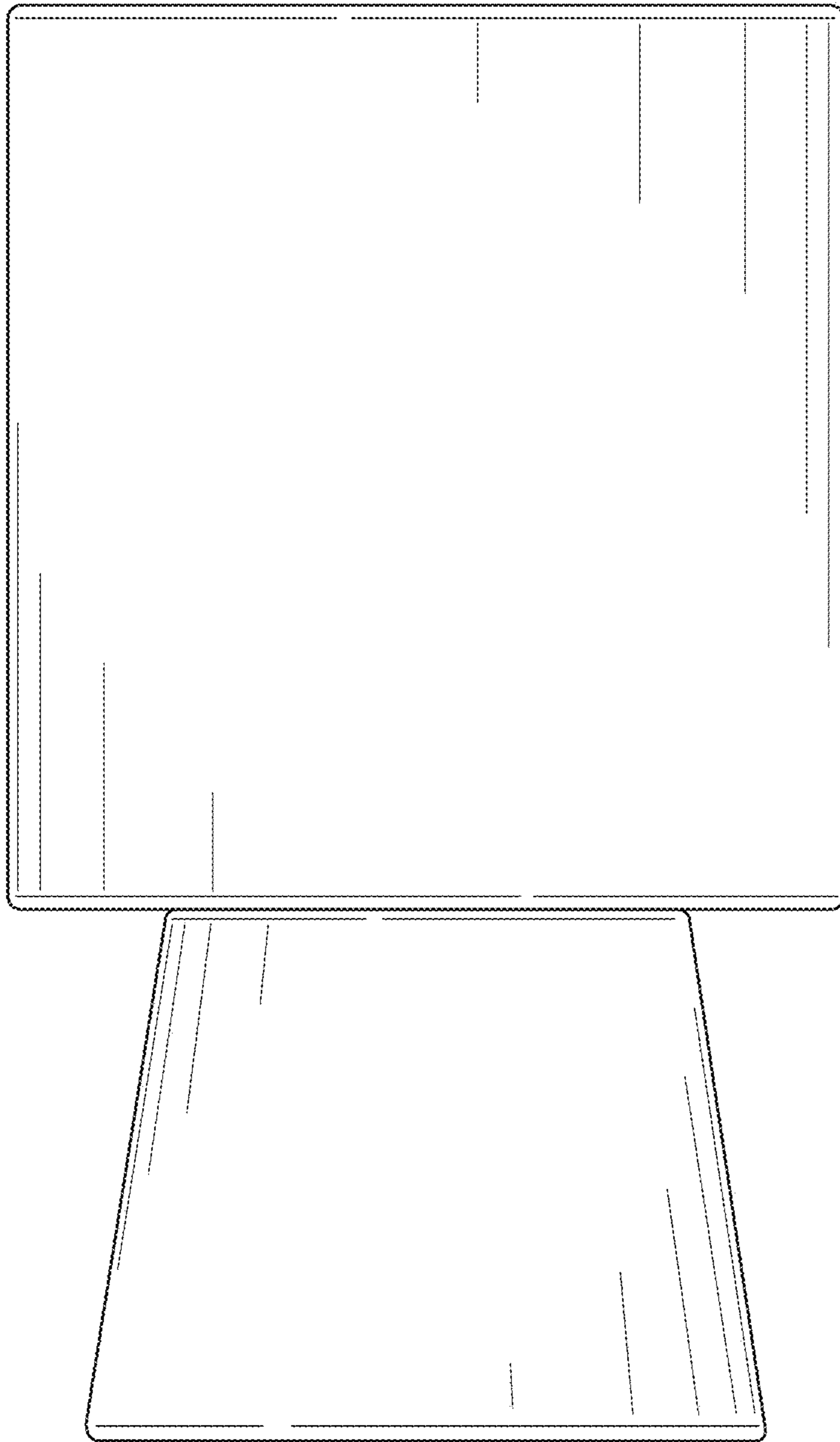


FIG. 3

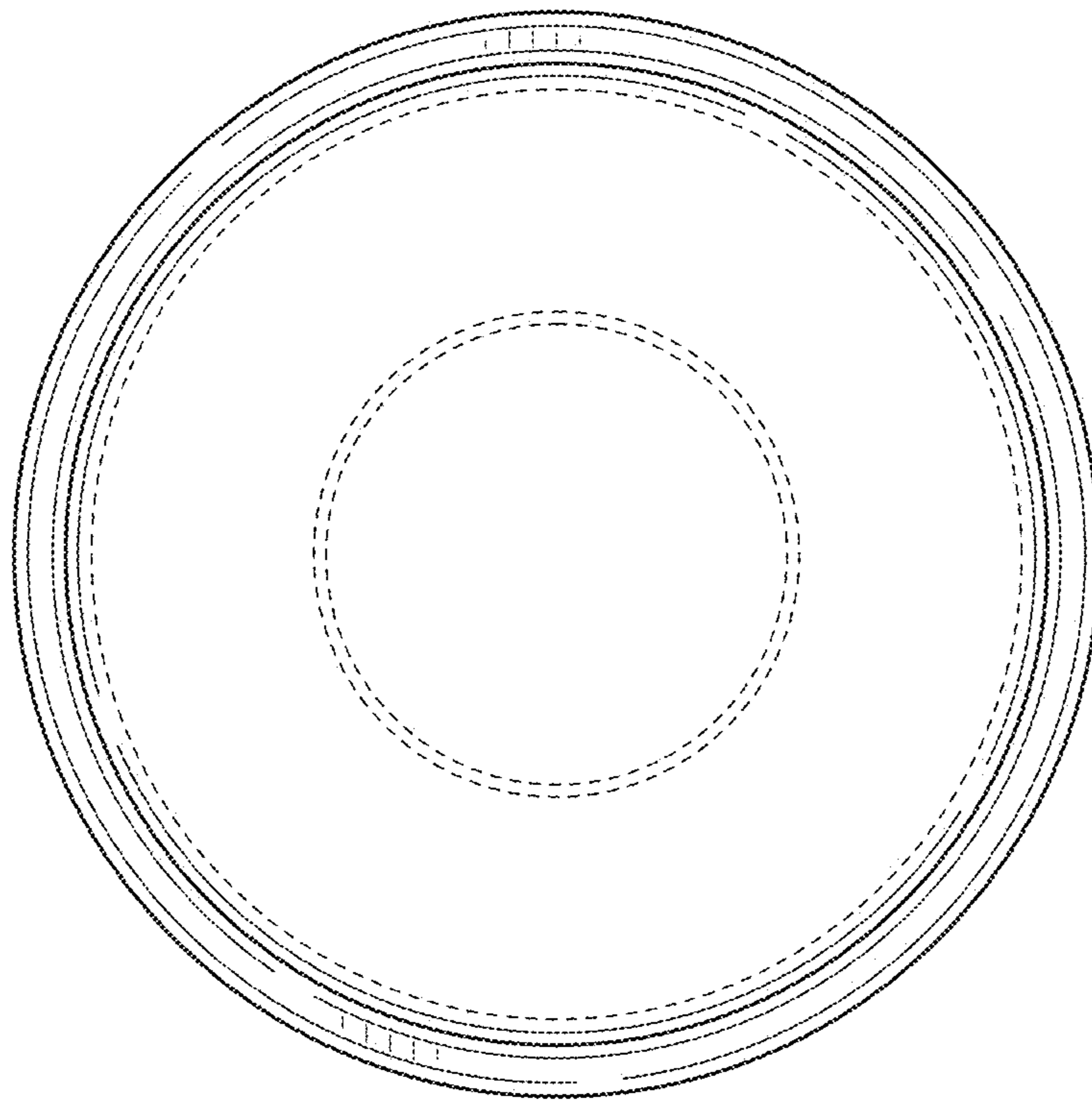


FIG. 4

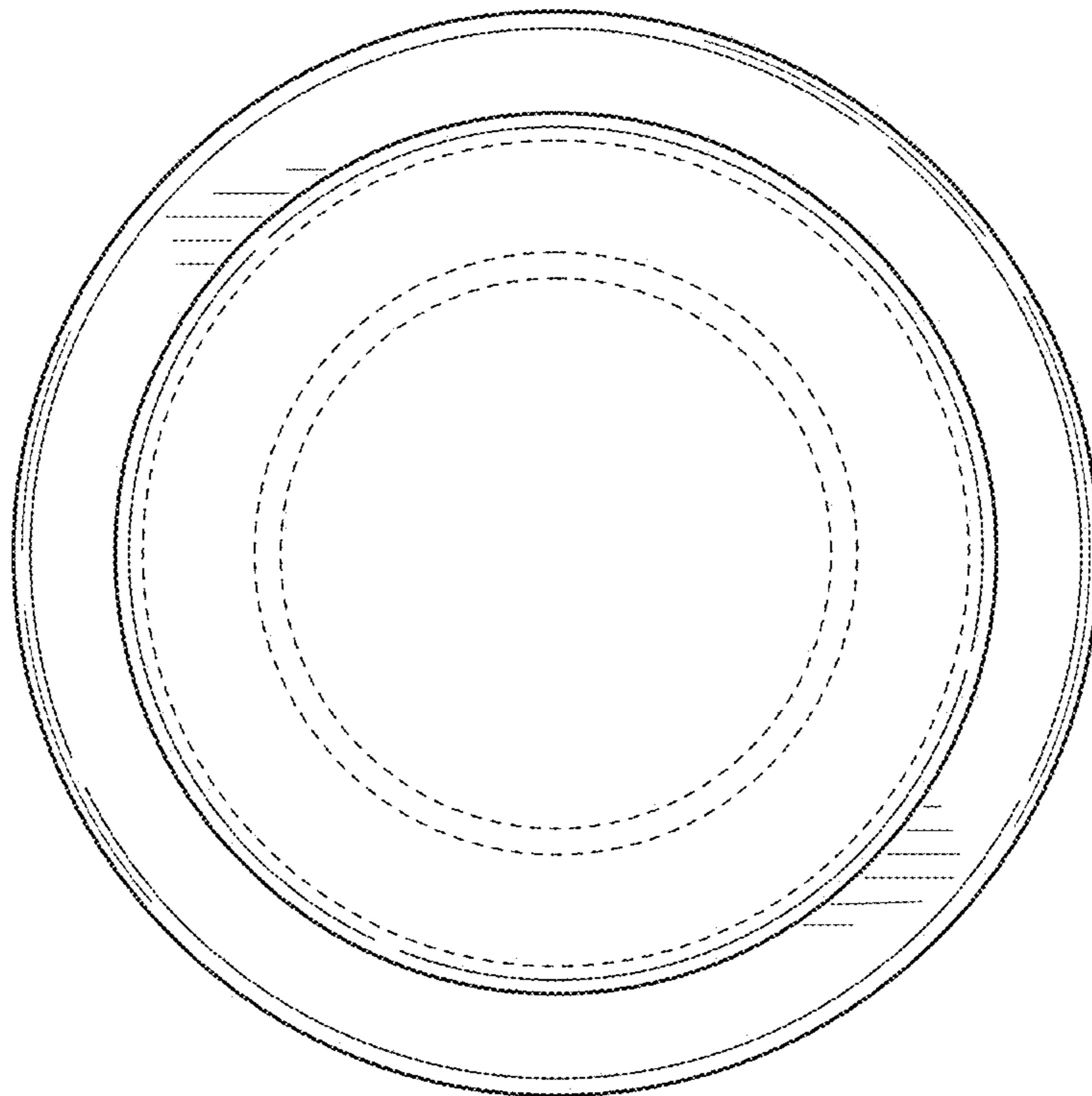


FIG. 5

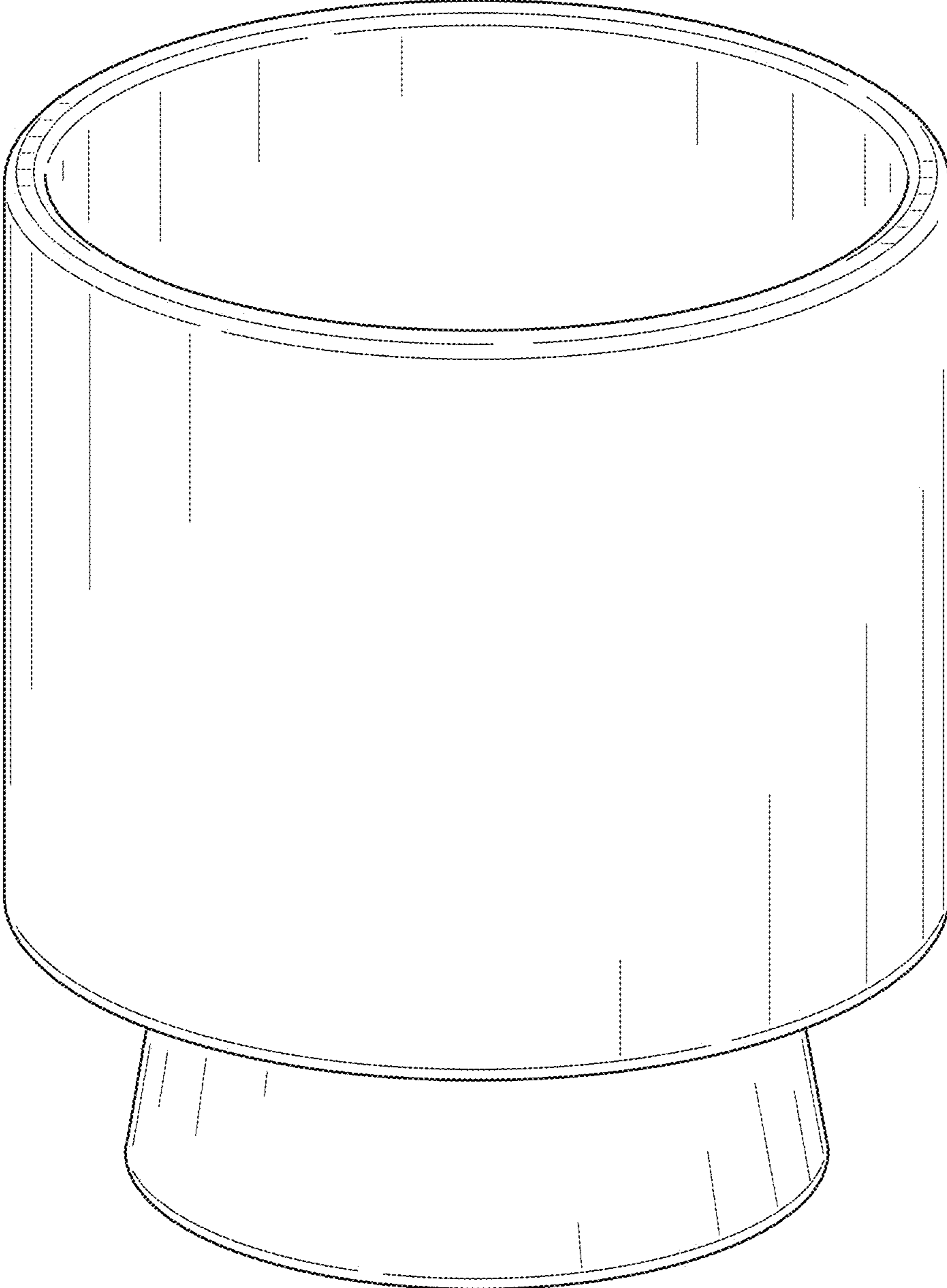


FIG. 6

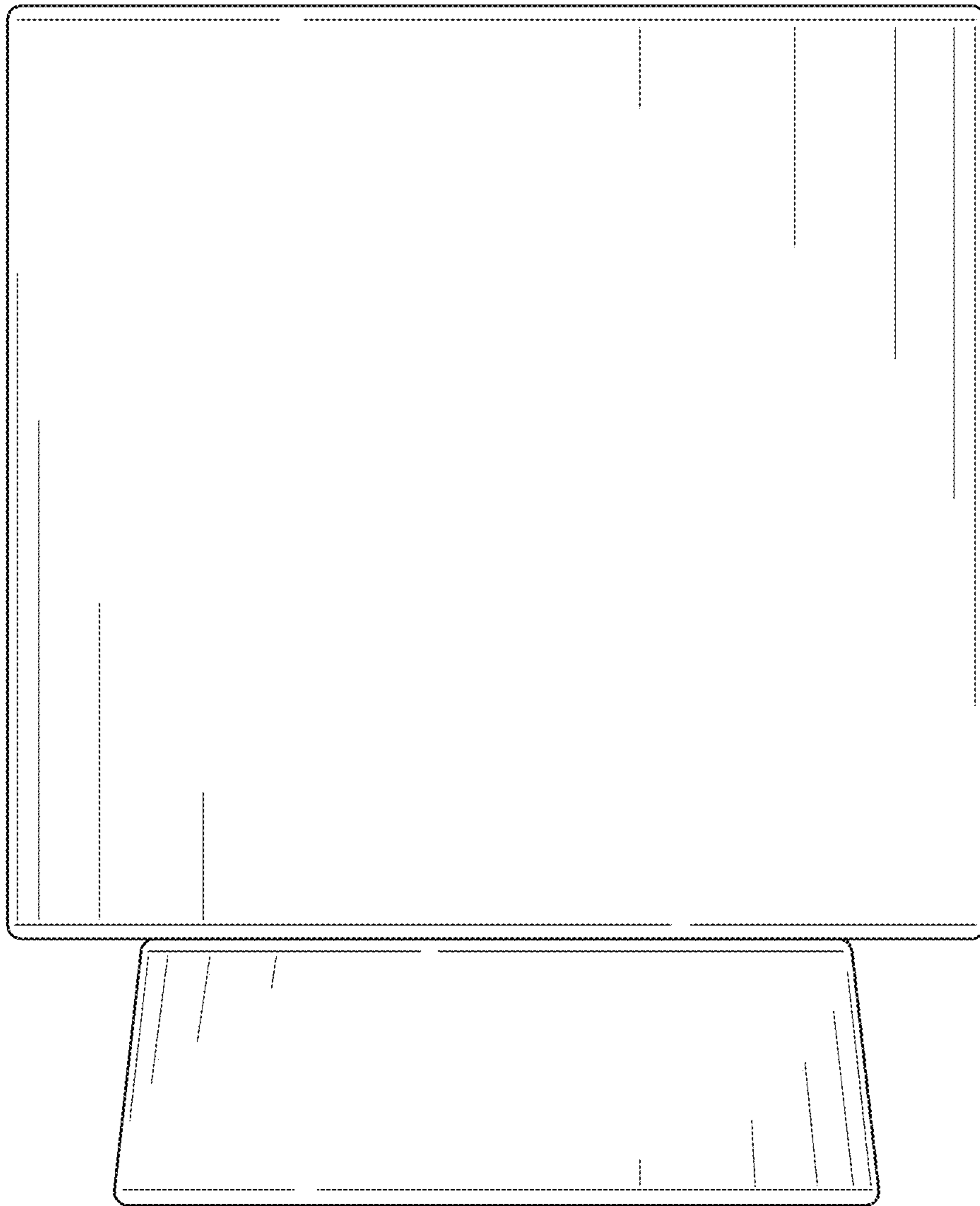


FIG. 7

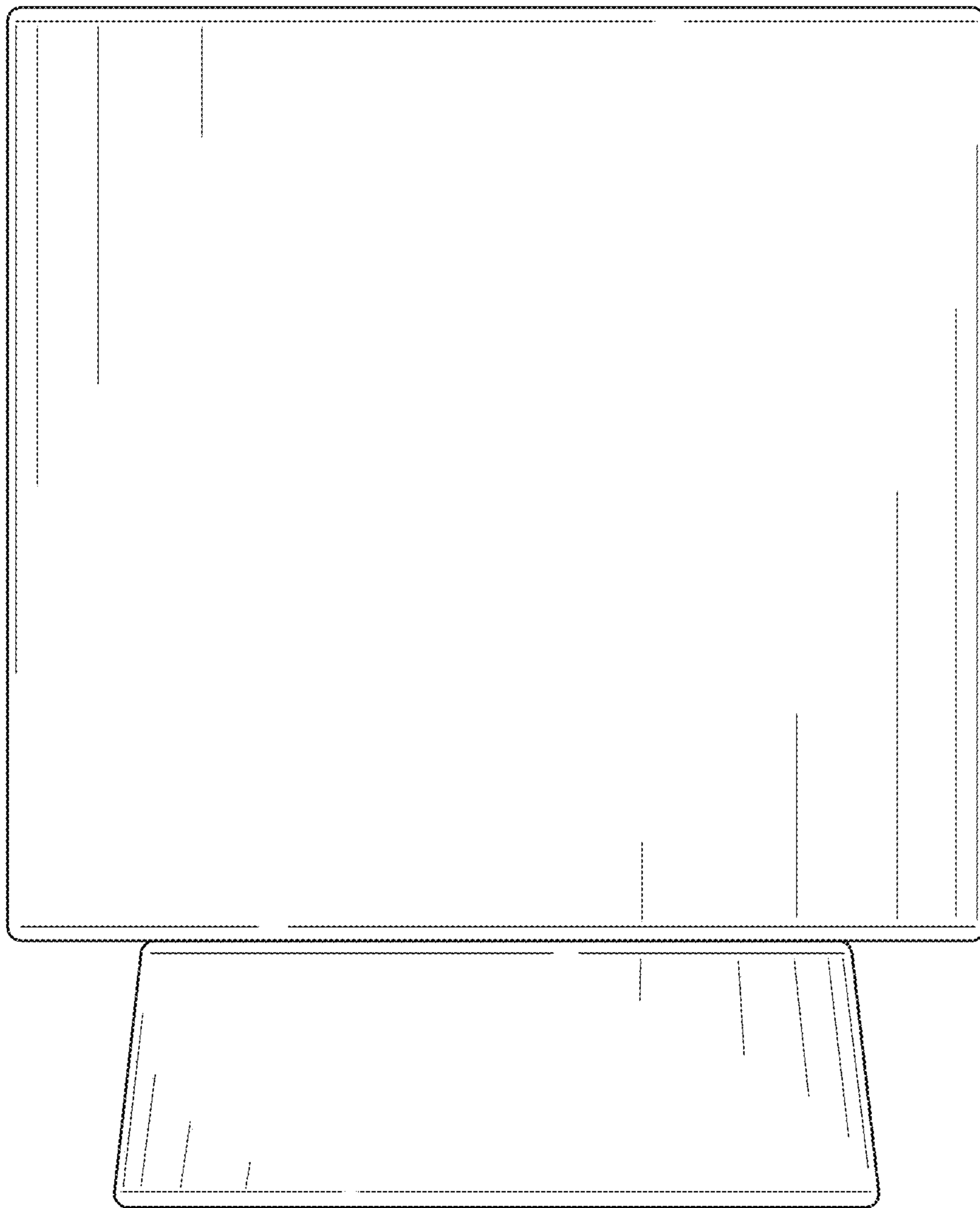


FIG. 8

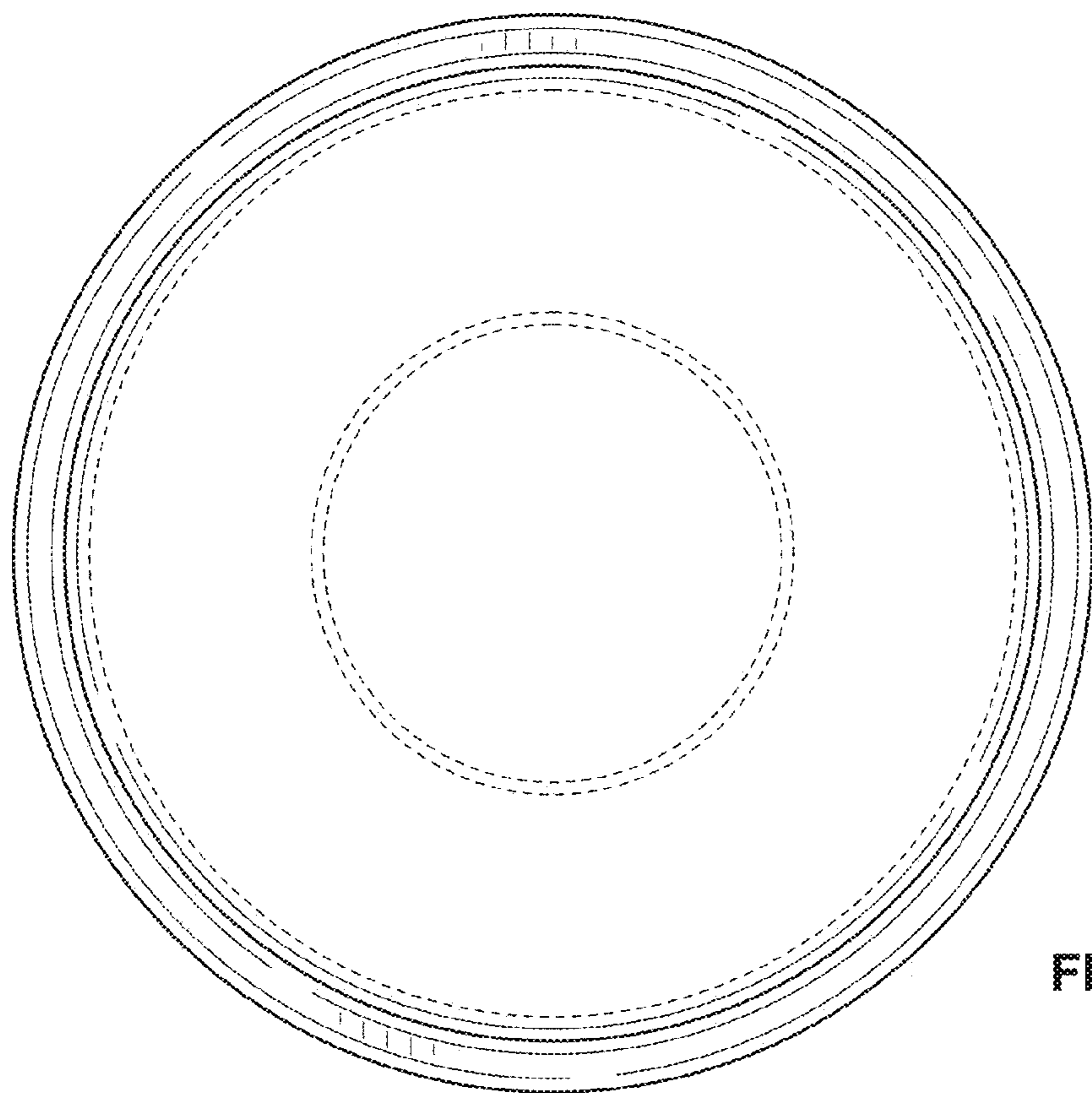


FIG. 9

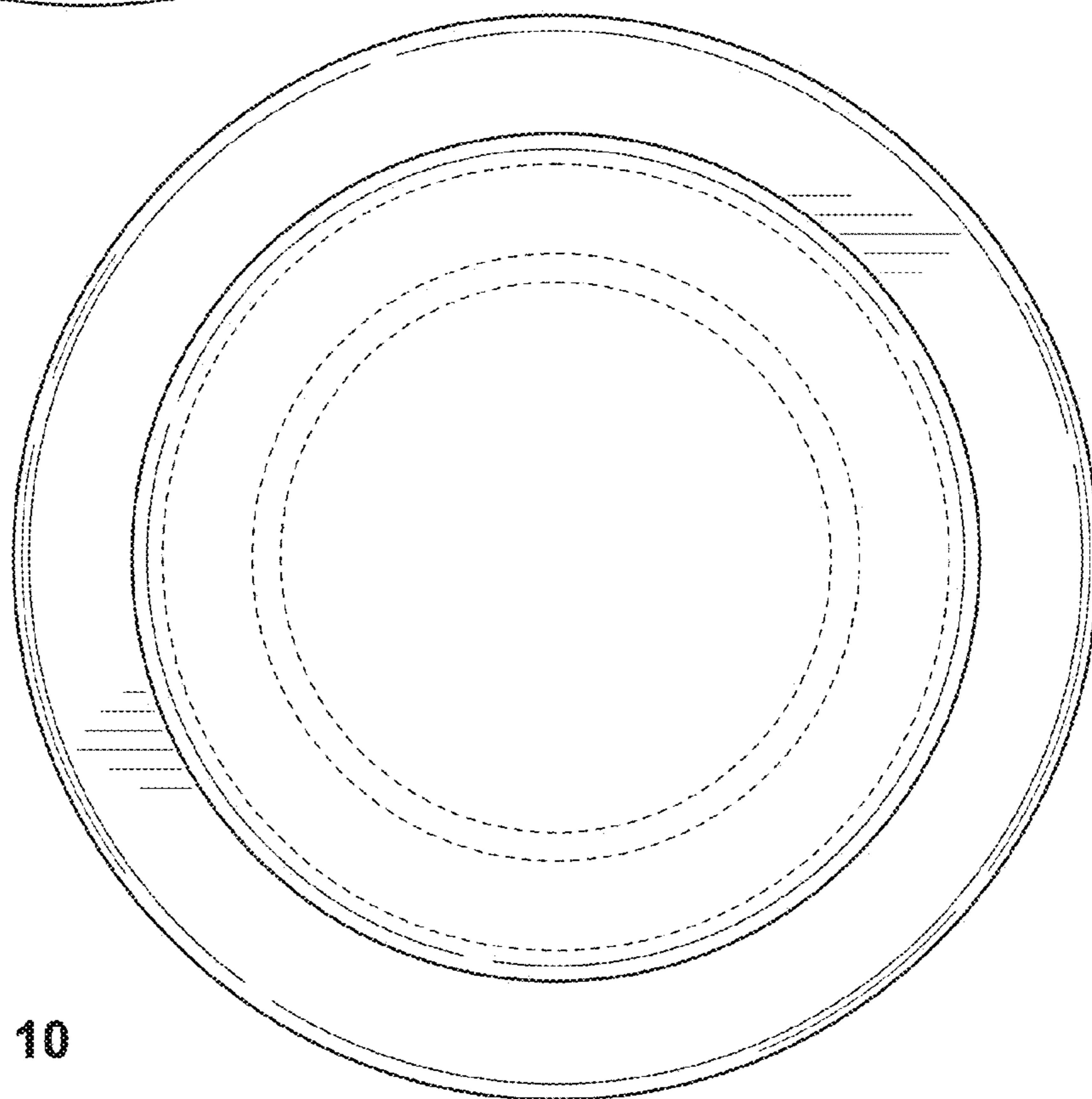


FIG. 10