



US00D947712S

(12) **United States Design Patent**  
**Yacavone**

(10) **Patent No.:** **US D947,712 S**

(45) **Date of Patent:** **\*\* Apr. 5, 2022**

(54) **PLANTER**  
(71) Applicant: **Williams-Sonoma, Inc.**, San Francisco, CA (US)  
(72) Inventor: **Alex Yacavone**, Brooklyn, NY (US)  
(73) Assignee: **Williams-Sonoma, Inc.**, San Francisco, CA (US)  
(\*\*) Term: **15 Years**

6,039,563 A \* 3/2000 Hardy ..... F21V 35/00  
206/503  
D446,746 S \* 8/2001 Simmons ..... D11/143  
D534,369 S \* 1/2007 Wright ..... D6/678  
D693,157 S \* 11/2013 Polidoros ..... A47B 13/02  
D6/681  
D739,295 S \* 9/2015 Thuma ..... D11/152  
D790,924 S \* 7/2017 Hume ..... D7/531  
D805,423 S \* 12/2017 Thuma ..... D11/152  
D836,022 S \* 12/2018 Morris ..... D11/131  
D836,936 S \* 1/2019 Jeppson ..... D6/403

(Continued)

*Primary Examiner* — Elizabeth A. Albert

(74) *Attorney, Agent, or Firm* — Cook Alex Ltd.

(21) Appl. No.: **29/728,251**  
(22) Filed: **Mar. 17, 2020**  
(51) **LOC (13) Cl.** ..... **11-02**  
(52) **U.S. Cl.**  
USPC ..... **D11/152**  
(58) **Field of Classification Search**  
USPC ..... D11/143–156, 164; D6/403–405,  
D6/556–558; D7/507, 509, 523, 584, 587  
CPC . A01G 9/02; A01G 9/021; A01G 9/04; A01G  
27/003; A01G 31/02; A01G 31/06  
See application file for complete search history.

(57) **CLAIM**

The ornamental design for a planter, as shown and described.

**DESCRIPTION**

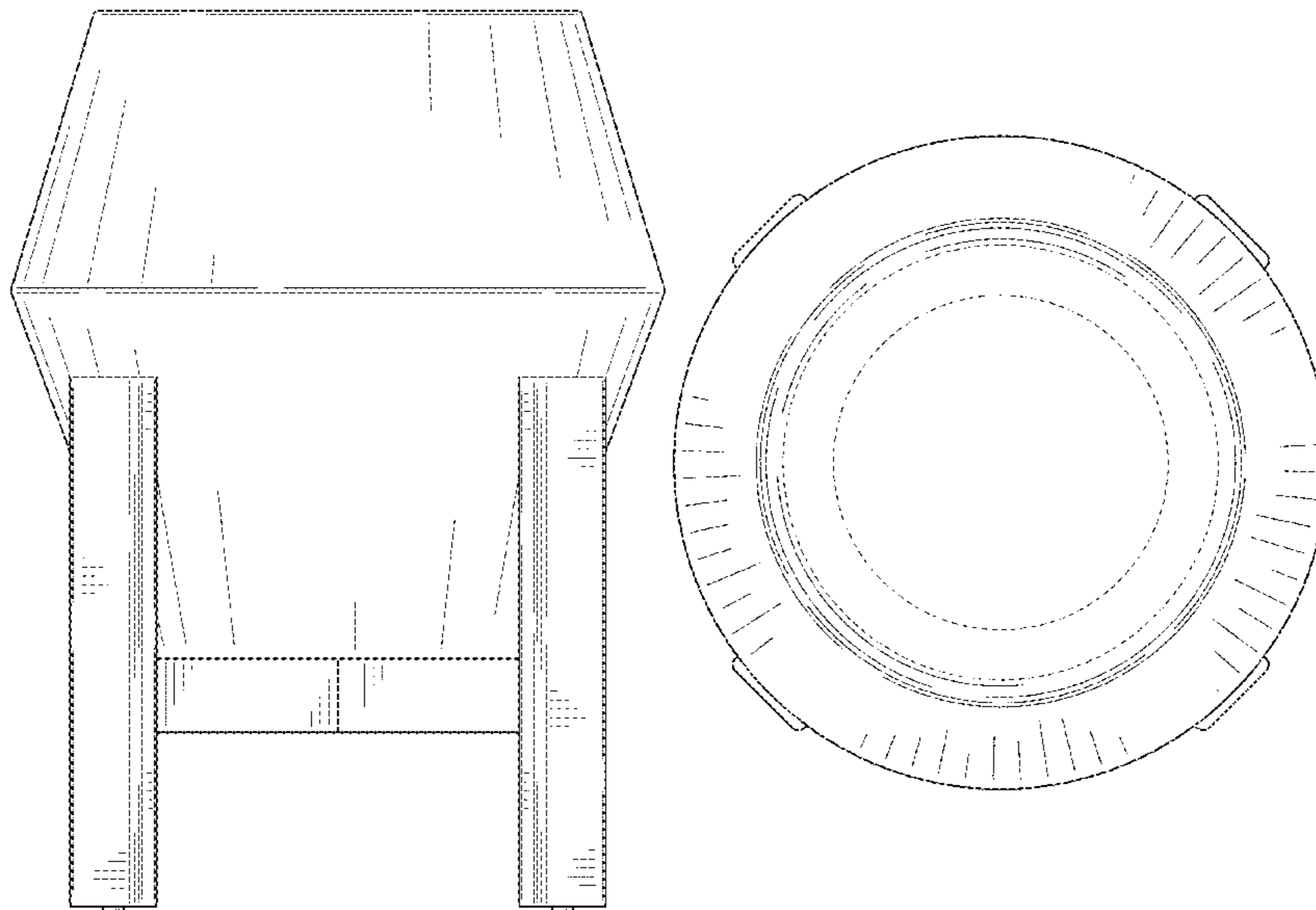
FIG. 1 is a perspective view of a first embodiment of the planter;  
FIG. 2 is a front elevational view thereof;  
FIG. 3 is a rear elevational view thereof;  
FIG. 4 is a left side elevational view thereof, the opposite side of which is a mirror image;  
FIG. 5 is a top plan view thereof;  
FIG. 6 is a bottom plan view thereof;  
FIG. 7 is a perspective view of a second embodiment of the planter;  
FIG. 8 is a front elevational view thereof;  
FIG. 9 is a rear elevational view thereof;  
FIG. 10 is a left side elevational view thereof, the opposite side of which is a mirror image;  
FIG. 11 is a top plan view thereof; and,  
FIG. 12 is a bottom plan view thereof.  
The broken lines are included in FIGS. 5 and 11 to show portions of the planter that form no part of the claimed design.

(56) **References Cited**

**U.S. PATENT DOCUMENTS**

78,233 A \* 5/1868 Poullain ..... A01G 9/0295  
47/73  
932,772 A \* 8/1909 Fleck ..... F21V 1/06  
362/162  
3,076,290 A \* 2/1963 Gallo ..... A47G 7/041  
47/83  
D222,624 S \* 11/1971 Gianfagna ..... D6/692.6  
D241,454 S \* 9/1976 Craft, III ..... D11/155  
D242,736 S \* 12/1976 Craft, III ..... D11/143  
D242,738 S \* 12/1976 Michaeli ..... D26/136  
D264,440 S \* 5/1982 Austin ..... D9/431  
D379,779 S \* 6/1997 Shryock ..... D11/143  
5,752,649 A \* 5/1998 Weder ..... A01G 9/026  
220/495.06  
D416,214 S \* 11/1999 Conner ..... D11/143

**1 Claim, 10 Drawing Sheets**



(56)

**References Cited**

U.S. PATENT DOCUMENTS

D840,115 S *	2/2019	Nieves .....	D30/122
D850,863 S *	6/2019	Miksovsky .....	D7/584
D869,328 S *	12/2019	Nelson .....	D11/152
D883,075 S *	5/2020	Roe .....	D8/378

\* cited by examiner

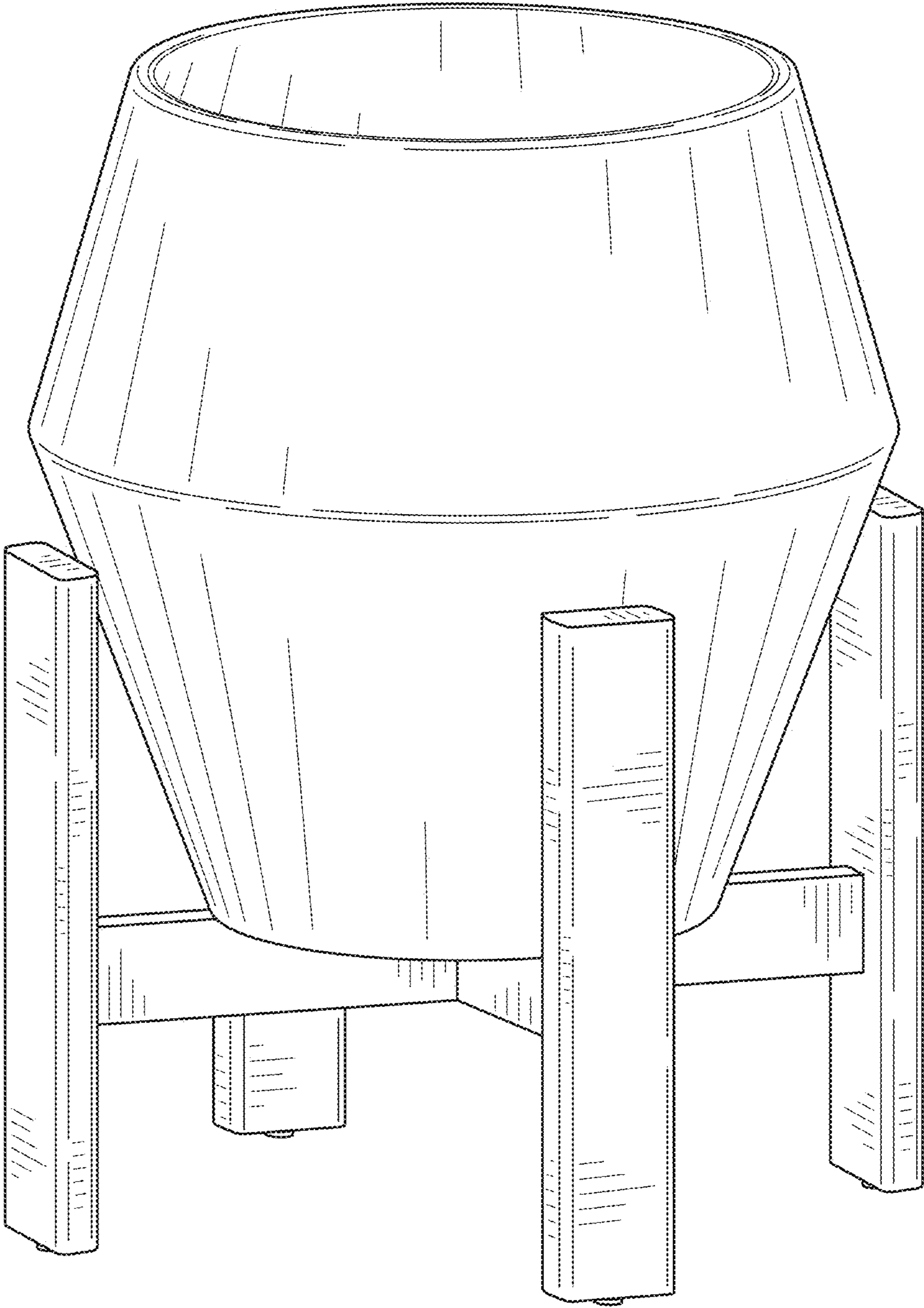


FIG. 1

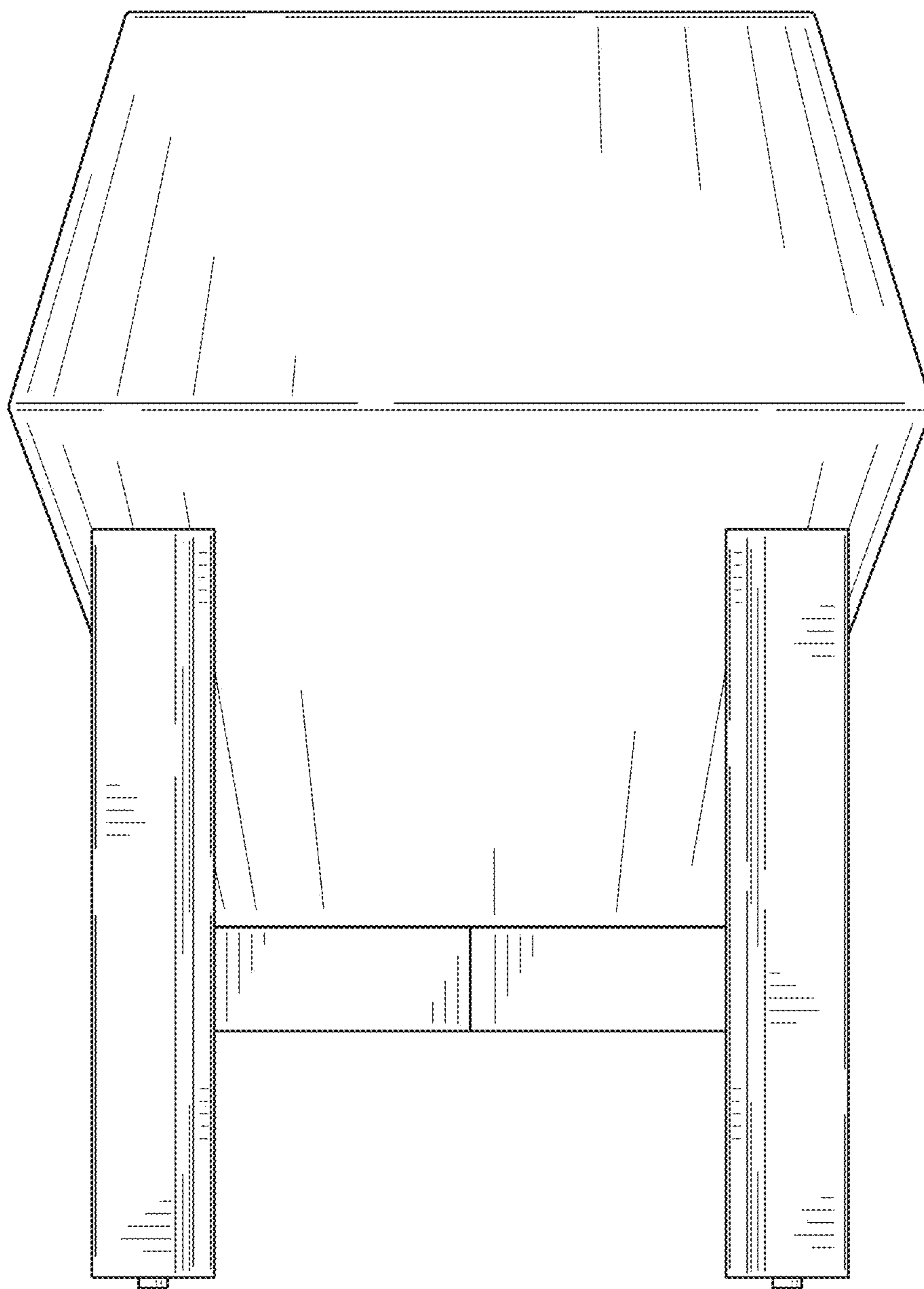


FIG. 2

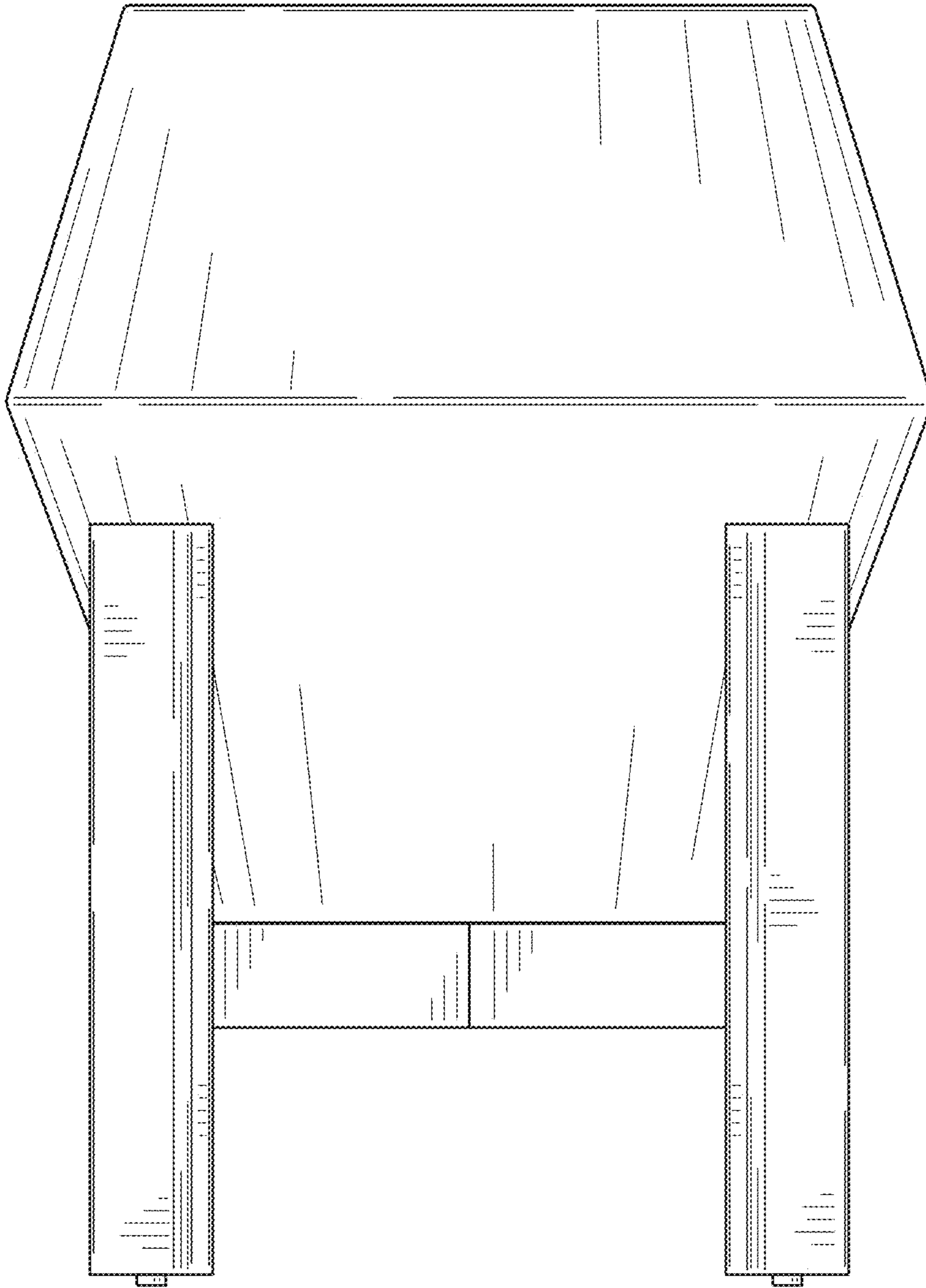


FIG. 3



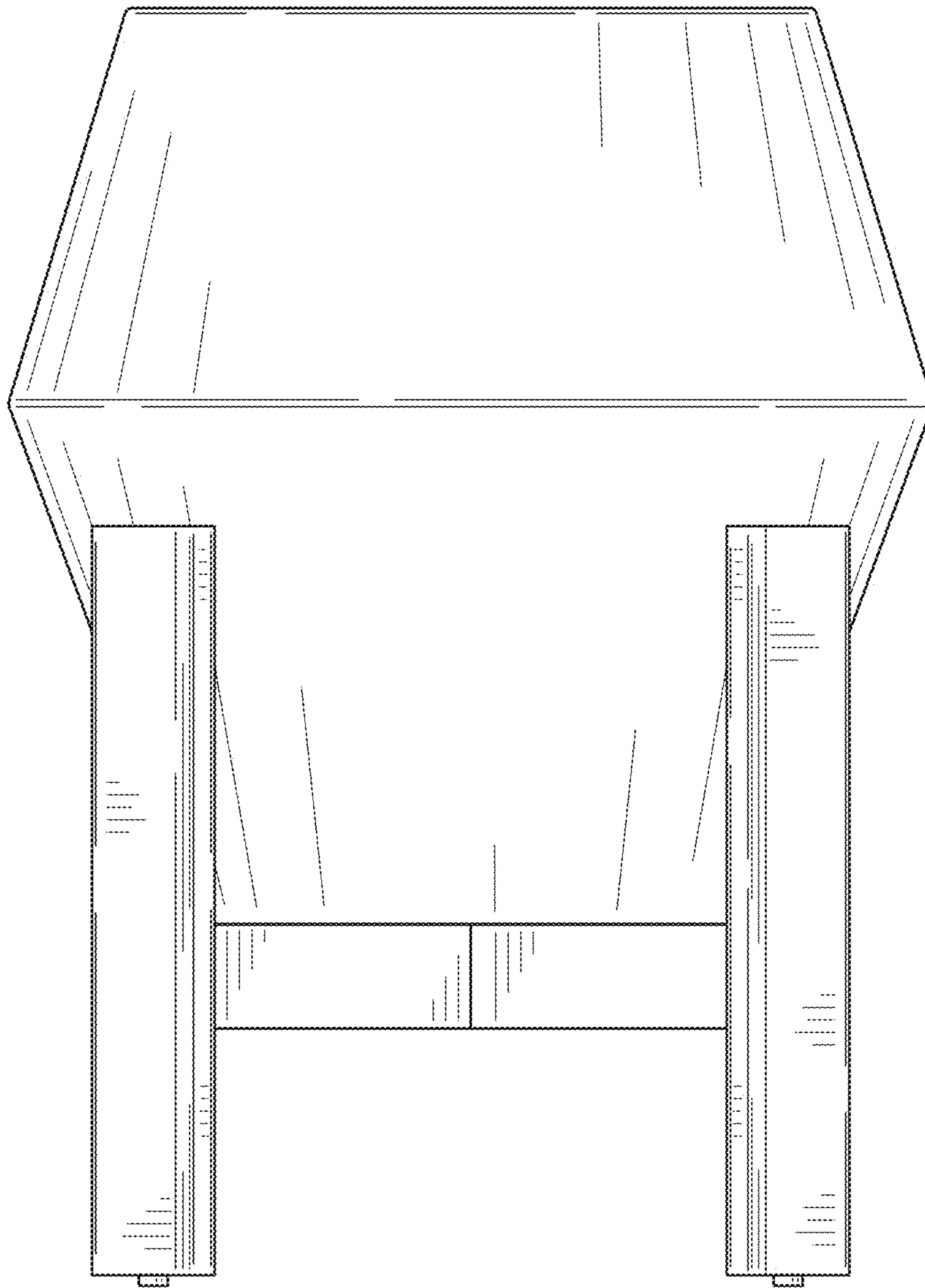


FIG. 4

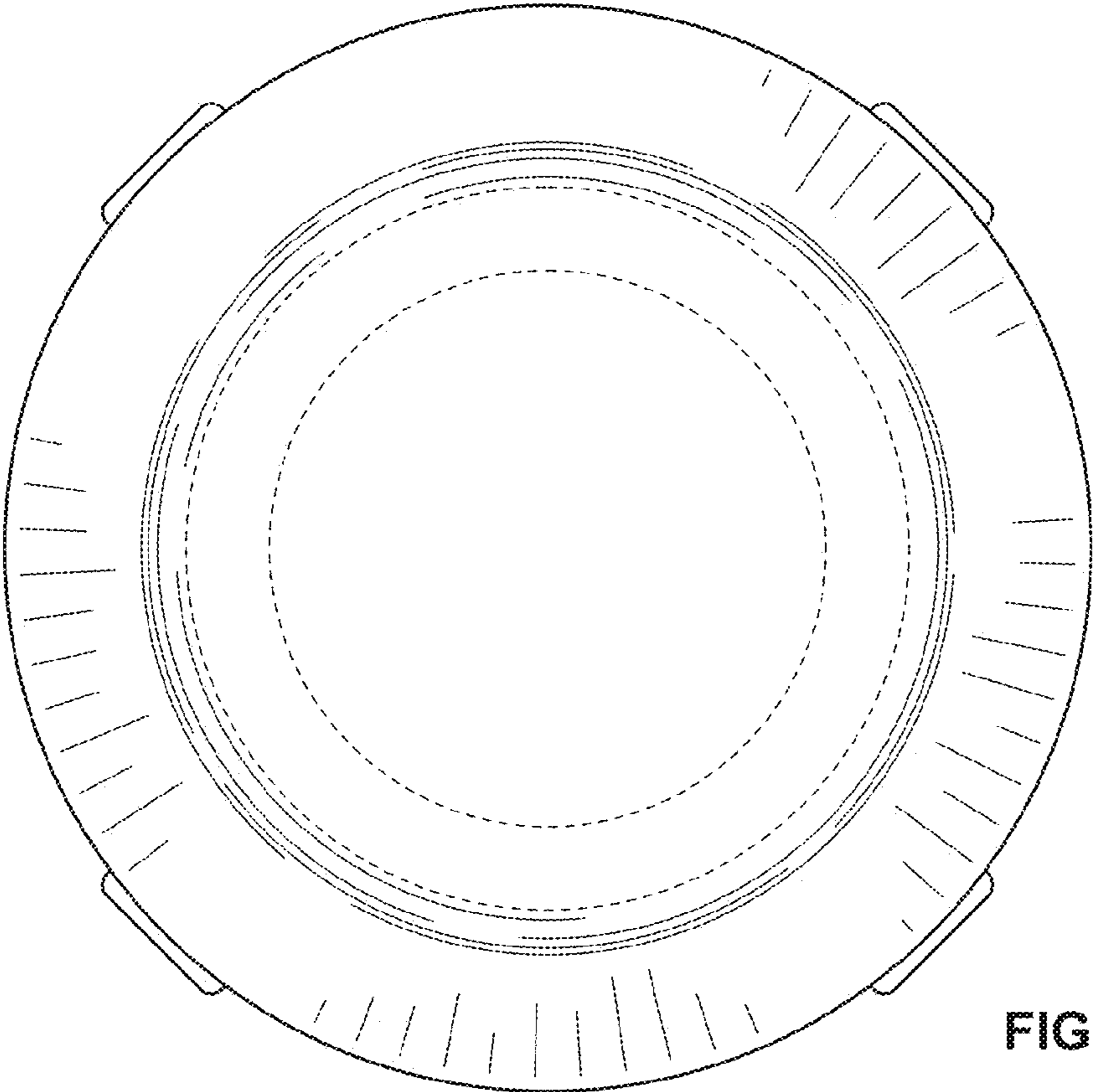


FIG. 5

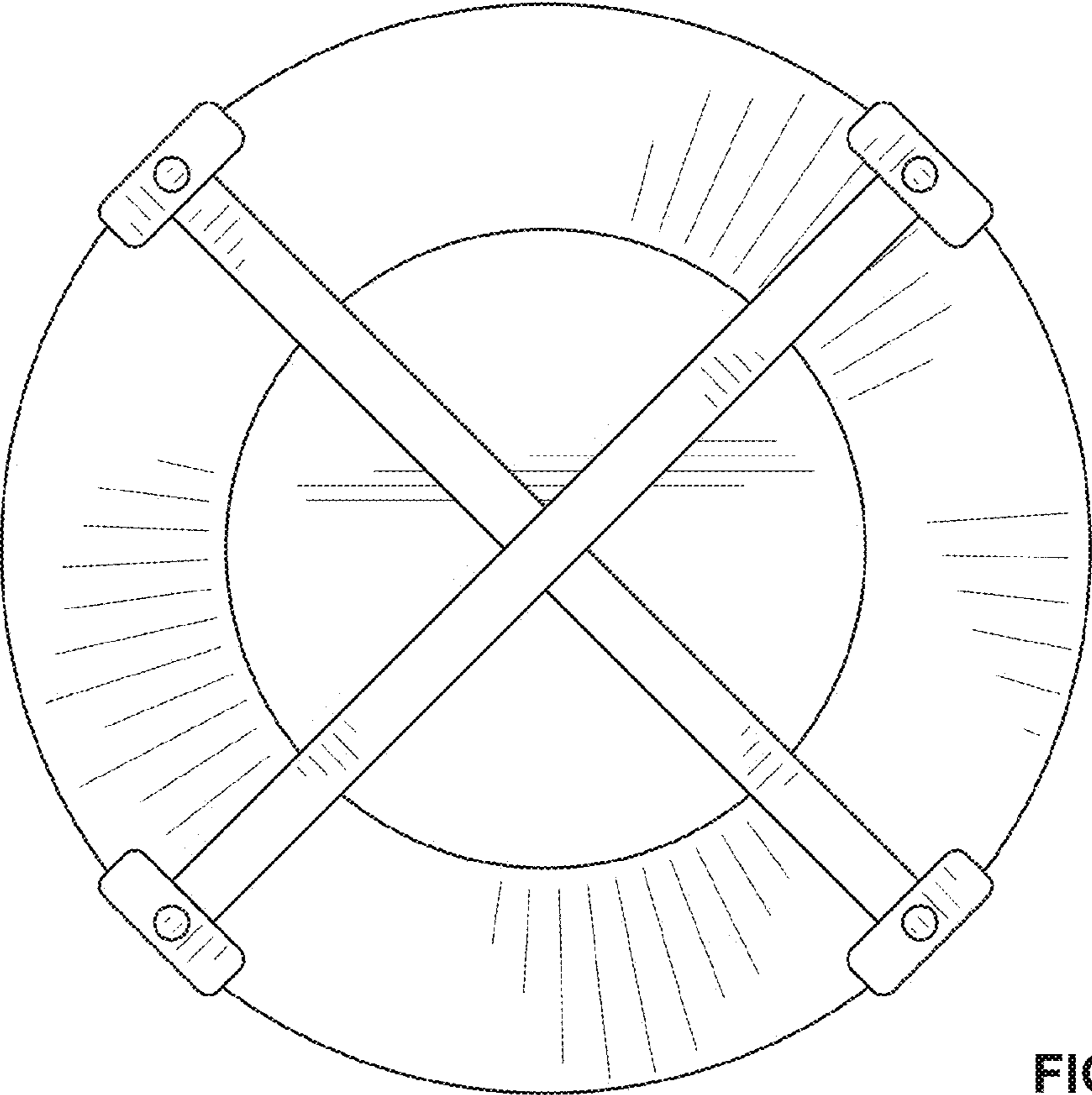


FIG. 6

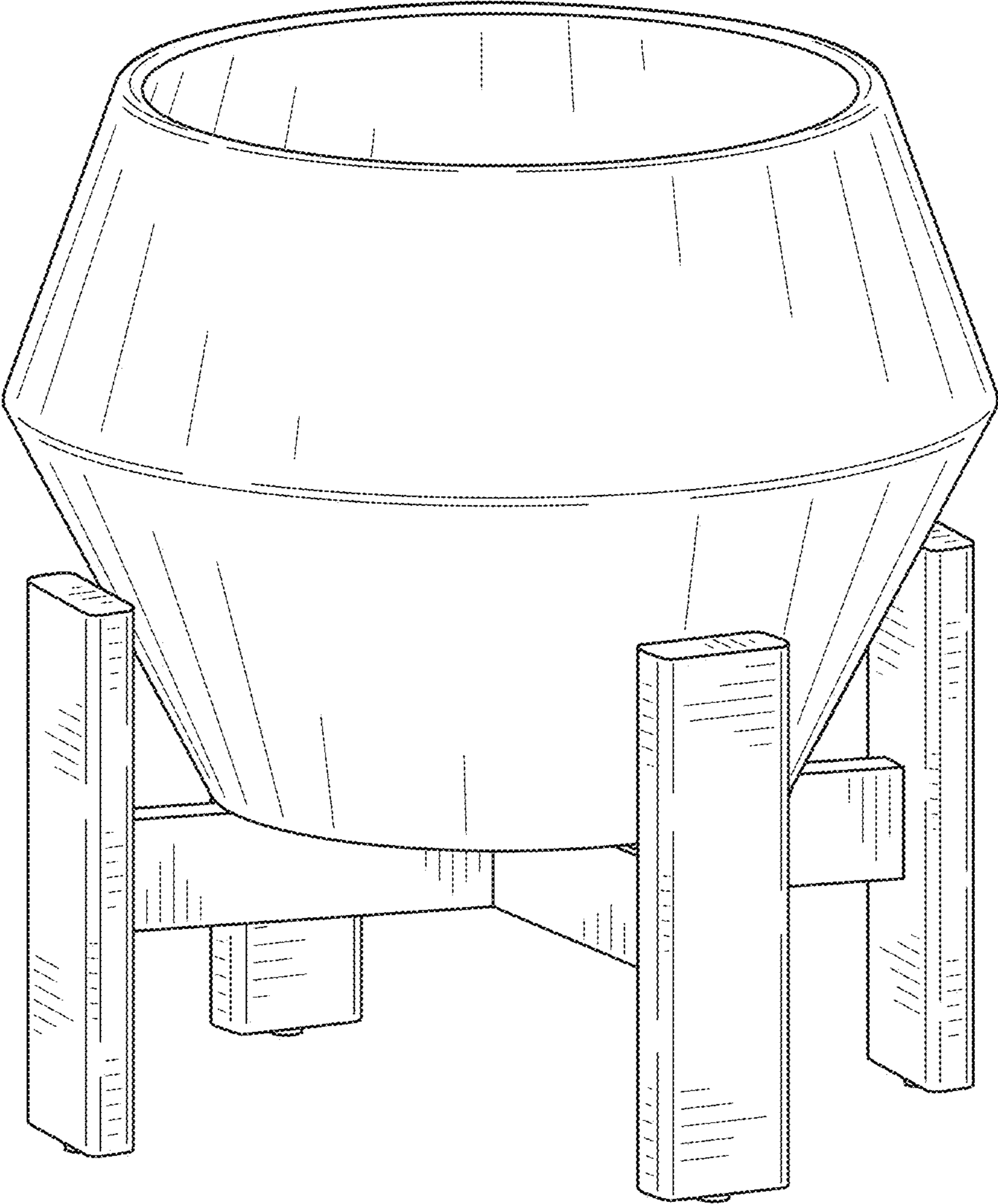


FIG. 7



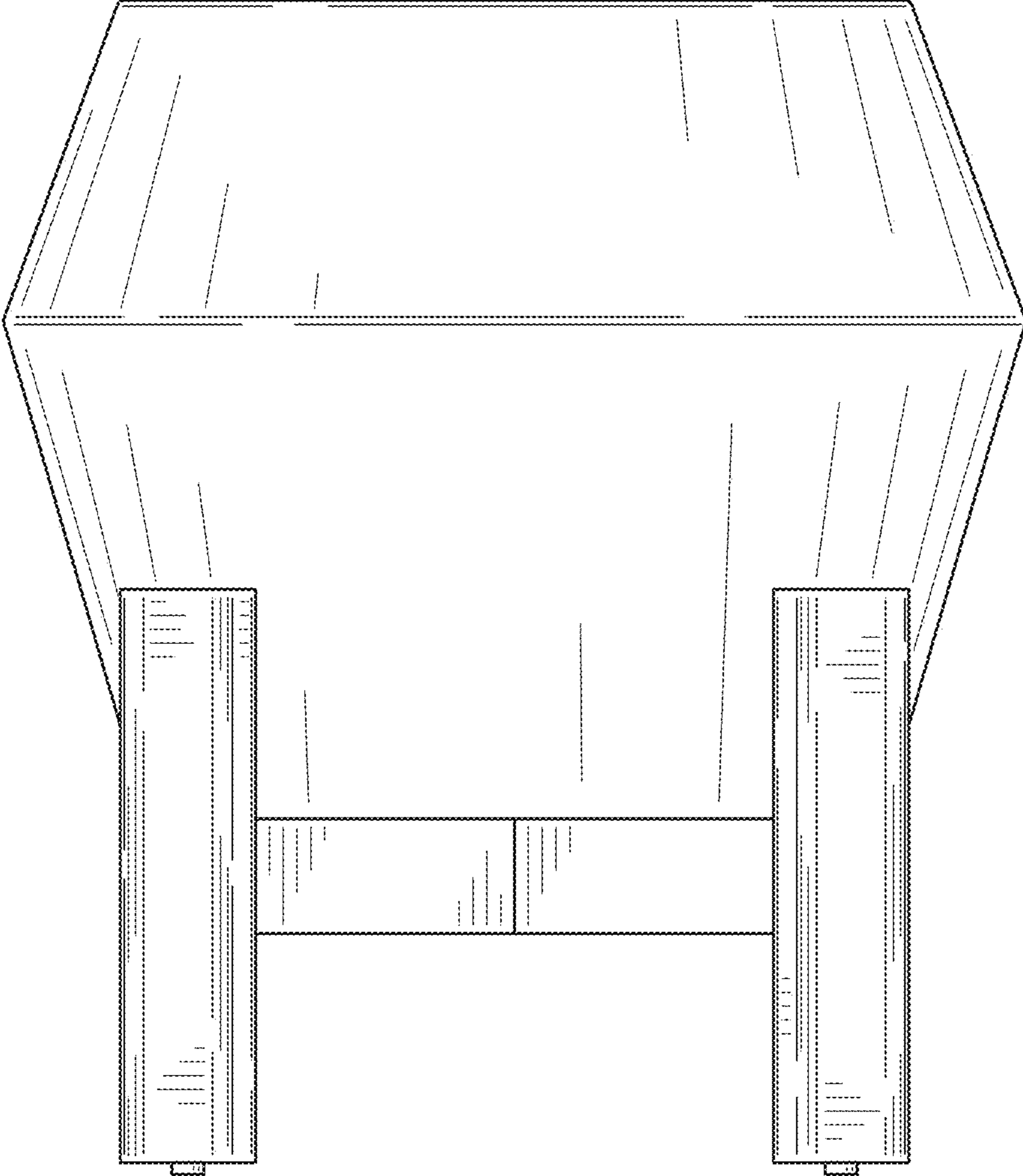


FIG. 8

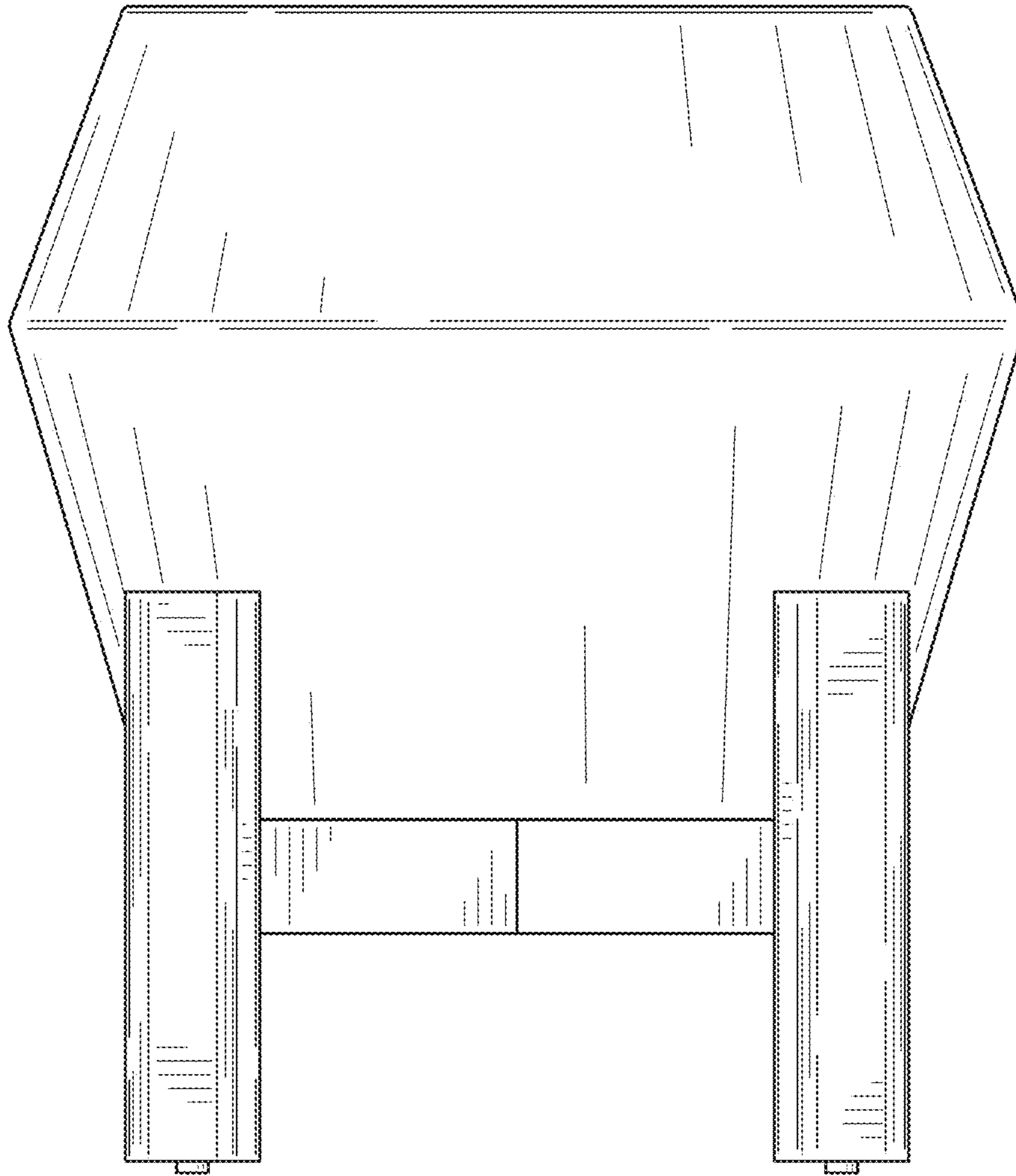


FIG. 9

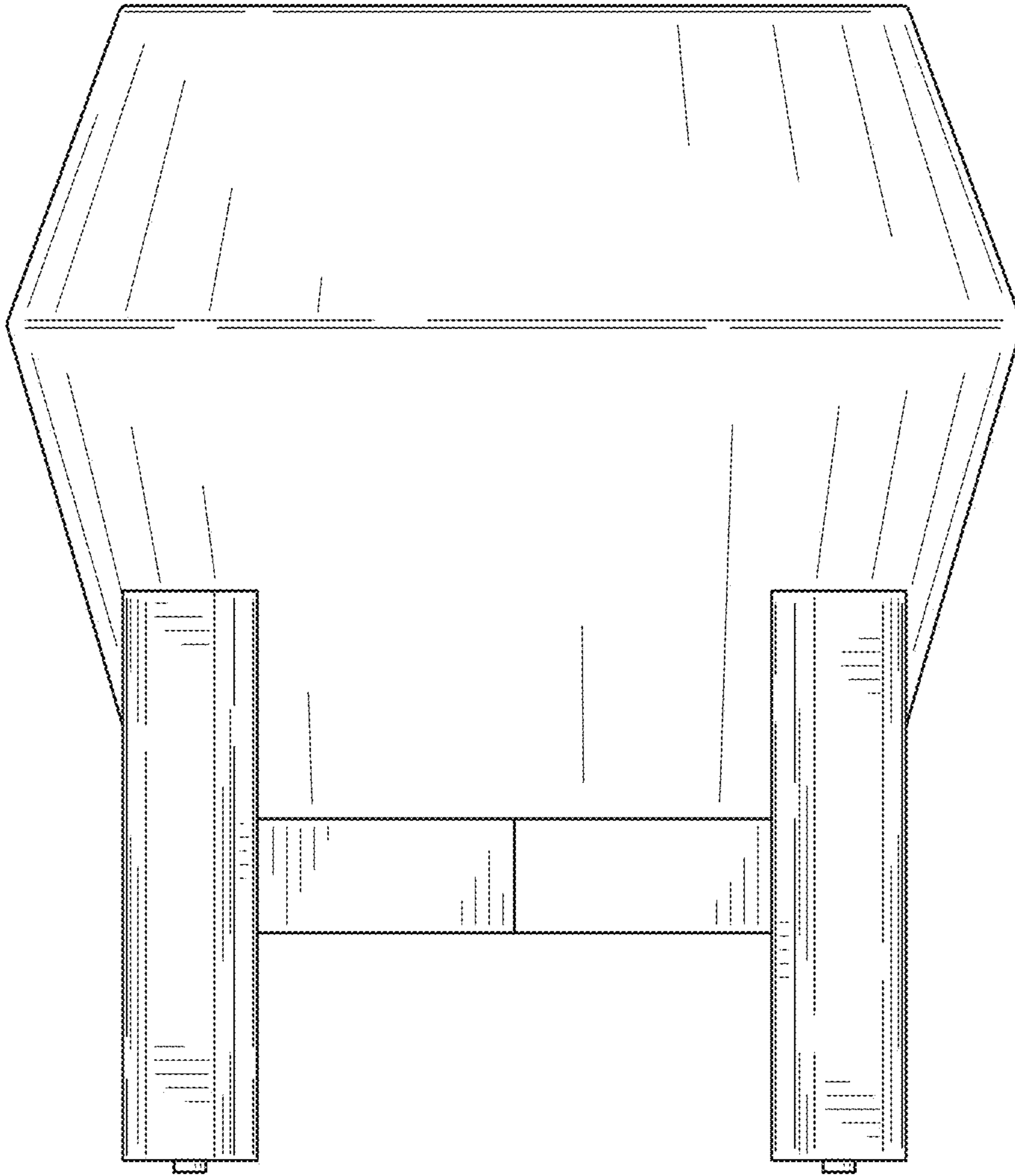


FIG. 10

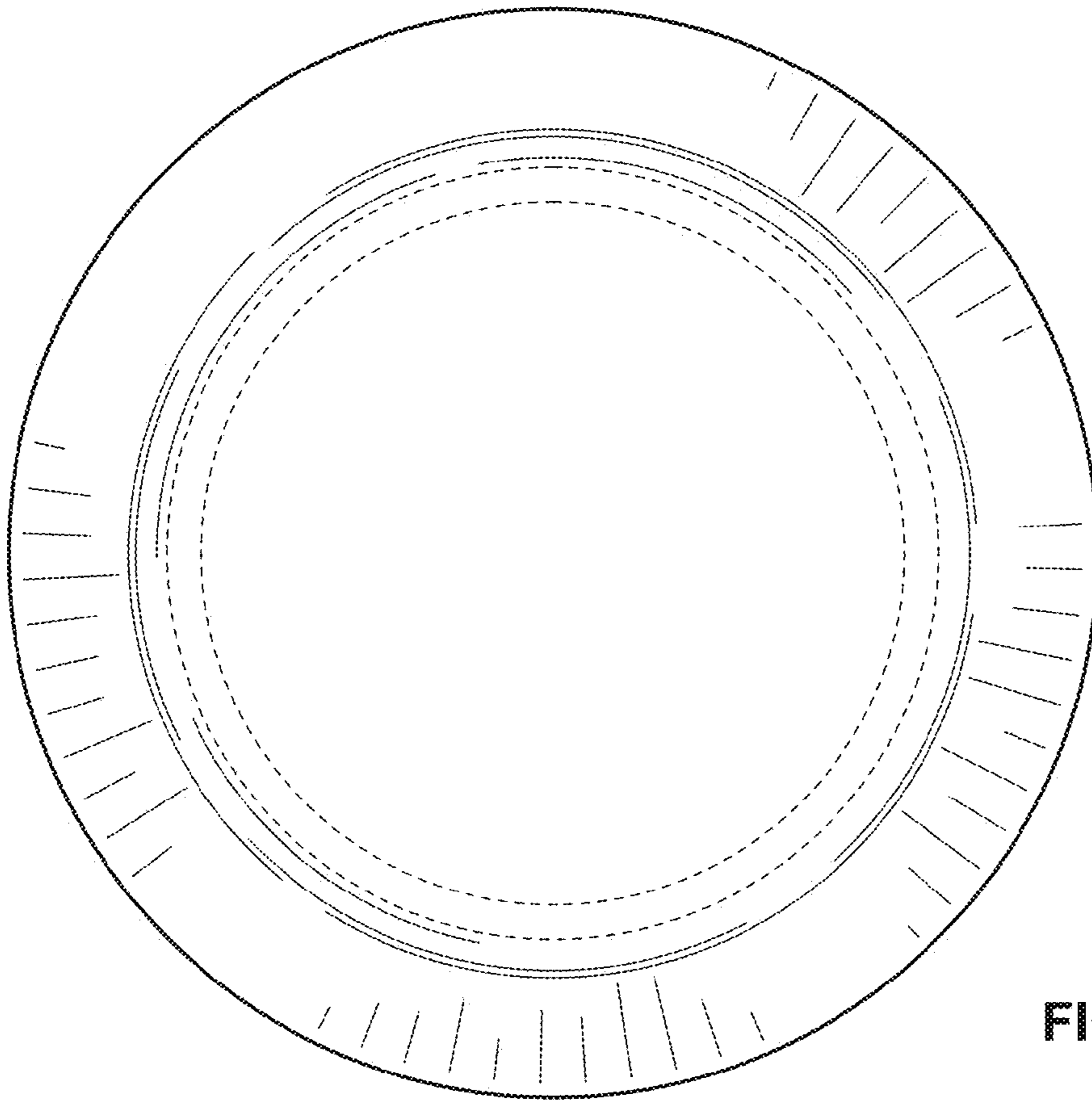


FIG. 11

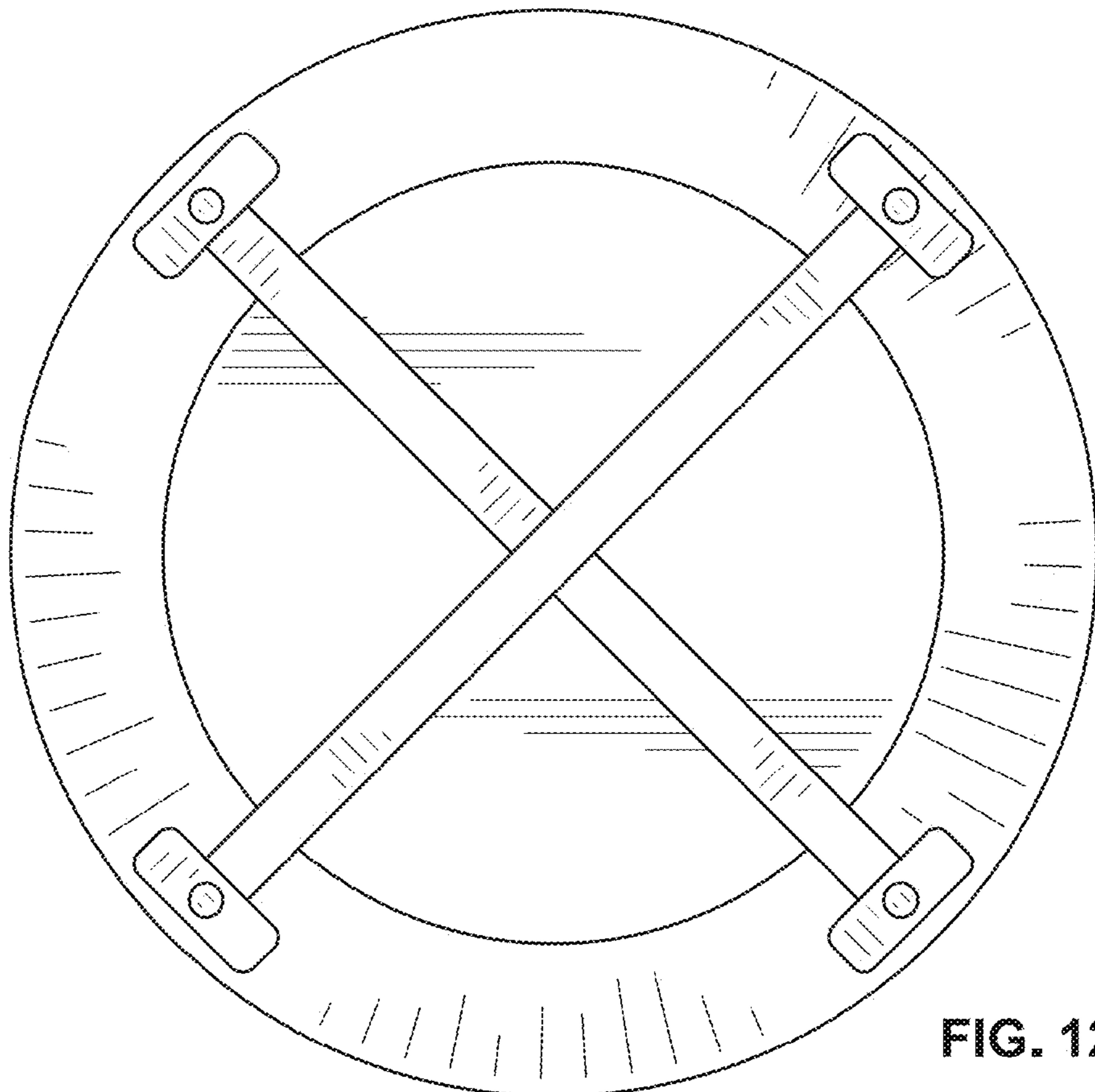


FIG. 12