



US00D947710S

(12) **United States Design Patent** (10) **Patent No.:** **US D947,710 S**
Stowe (45) **Date of Patent:** **** Apr. 5, 2022**

(54) **JEWELRY ITEM**

(71) Applicant: **Linda Faye Stowe**, Brandywine, MD
(US)

(72) Inventor: **Linda Faye Stowe**, Brandywine, MD
(US)

(**) Term: **15 Years**

(21) Appl. No.: **29/733,448**

(22) Filed: **May 1, 2020**

(51) **LOC (13) Cl.** **11-01**

(52) **U.S. Cl.**
USPC **D11/79**

(58) **Field of Classification Search**
USPC ... D11/6-8.4, 43, 44, 48, 49, 51, 52, 61, 62,
D11/65, 69, 70, 76, 79, 80-82, 95-97, 99,
D11/100, 103, 116, 121
CPC A44C 1/00; A44C 15/00; A44C 15/001;
A44C 15/0025; A44C 15/0035; A44C
25/00; A44C 25/001
See application file for complete search history.

(56) **References Cited**

U.S. PATENT DOCUMENTS

D99,928 S * 6/1936 Chernow D11/43
D249,339 S * 9/1978 Coulthurst D11/79
D293,287 S * 12/1987 Cauque D10/31
4,789,573 A * 12/1988 Jenkinson A44B 15/005
40/330
D324,954 S * 3/1992 Lewis D20/27
D363,438 S * 10/1995 Perry D10/60
D364,734 S * 12/1995 Ben-Zeev D3/208
D484,065 S * 12/2003 Kalakie D11/7
D493,493 S * 7/2004 Howard D20/27
D518,406 S * 4/2006 Stern D11/86
D592,078 S * 5/2009 Tang D10/30
D600,138 S * 9/2009 Tang D10/30
D615,447 S * 5/2010 Raum D11/79

D619,919 S * 7/2010 Harding D11/80
D634,117 S * 3/2011 Morrish D3/207
D657,003 S * 4/2012 Goodman-Pollack D21/453
(Continued)

OTHER PUBLICATIONS

5pcs Antique Silver Square Frame Pendant, available Nov. 18, 2021, online, site visited Nov. 18, 2021. Available online, URL: <https://www.mbcork.com/products/5pcs-antique-silver-square-frame-pendant-46x46mm-zamak-jewellery-jewelry-finding-d-3-102> (Year: 2021).*

(Continued)

Primary Examiner — W. A. Teddy Falloway

Assistant Examiner — Sarah J Ault

(74) *Attorney, Agent, or Firm* — Liliana Di Nola-Baron; Di Nola IP

(57) **CLAIM**

I claim the ornamental design for a jewelry item, as shown and described.

DESCRIPTION

FIG. 1 is a front perspective view of the claimed jewelry item design;

FIG. 2 is a rear perspective view of the jewelry item shown in FIG. 1;

FIG. 3 is a front view of the jewelry item shown in FIG. 1;

FIG. 4 is a rear view of the jewelry item shown in FIG. 1;

FIG. 5 is a left side view of the jewelry item shown in FIG. 1;

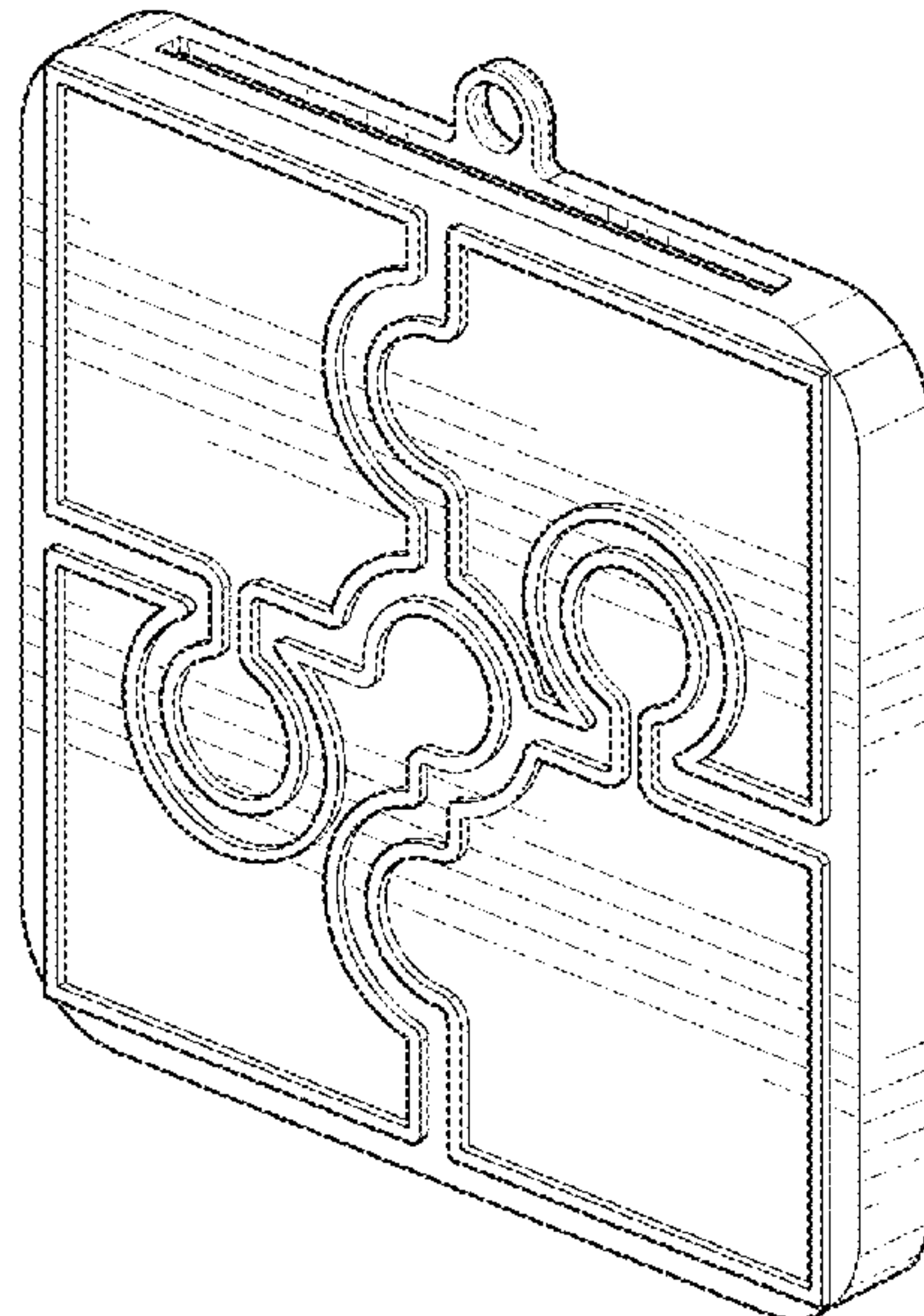
FIG. 6 is a right side view of the jewelry item shown in FIG. 1;

FIG. 7 is a top view of the jewelry item shown in FIG. 1;

and,
FIG. 8 is a bottom view of the jewelry item shown in FIG. 1.

The broken lines illustrate portions of the jewelry item and form no part of the claimed design.

1 Claim, 4 Drawing Sheets



(56)

References Cited

U.S. PATENT DOCUMENTS

D712,297 S * 9/2014 Taylor-Cattapan D11/79
 D744,658 S * 12/2015 Hilkey-Boyatt D24/186
 D798,601 S * 10/2017 Shou D3/327
 D813,710 S * 3/2018 Psaras D11/79
 D849,587 S * 5/2019 Li D11/79
 D854,441 S * 7/2019 Pandolfino D11/79
 D866,953 S * 11/2019 Zhipeng D3/207
 D905,587 S * 12/2020 Nolan, Jr. D11/79
 D924,097 S * 7/2021 Virhia D11/86
 D926,619 S * 8/2021 May D11/79
 2010/0223954 A1 * 9/2010 Kim A44C 3/00
 63/12
 2019/0037979 A1 * 2/2019 Diner A44C 13/00

OTHER PUBLICATIONS

30 Pack Alloy Metal Blanks Bronze Gold Silver Bulk Inner, available Jan. 9, 2020, online, site visited Nov. 18, 2021. Available online, URL: <https://www.amazon.com/Settings-Handmade-Necklaces->

Pendants-Accessories/dp/B083NPN4KS/ref=sr_1_141?keywords=frame+pendant&qid=1637251355&sr=8-141 (Year: 2020).*

Beadthoven 10pcs Platinum Square Alloy Open Back Bezel Big Charms Pendants Frame, available Jun. 11, 2019, online, site visited Nov. 18, 2021. Available online, URL: https://www.amazon.com/Beadthoven-Platinum-Pendants-Projects-29x20x5mm/dp/B07SW9VTHC/ref=sr_1_4?keywords=frame+pendant&qid=1637251297&sr=8-4 (Year: 2019).*

Sterling Silver 25x18mm Rectangle Resin Component Mounting, available 2019, online, site visited Nov. 18, 2021. Available online, URL: <https://www.riogrande.com/product/sterling-silver-25-x-18mm-rectangle-bezel-component-mounting/621889> (Year: 2019).*

Womens Autism Awareness cute T-shirt Elephant Gran Bracelet, available Nov. 7, 2019, online, site visited Nov. 18, 2021. Available online, URL: https://www.zazzle.com/womens_autism_awareness_cute_t_shirt_elephant_gran_bracelet-256566406279354664 (Year: 2019).*

Brass Frame Charm, available Nov. 18, 2021, online, site visited Nov. 18, 2021. Available online, URL: <https://www.rings-things.com/Products/Raw-Brass-Charms/Brass-Charm-Square-30mm.html> (Year: 2021).*

* cited by examiner

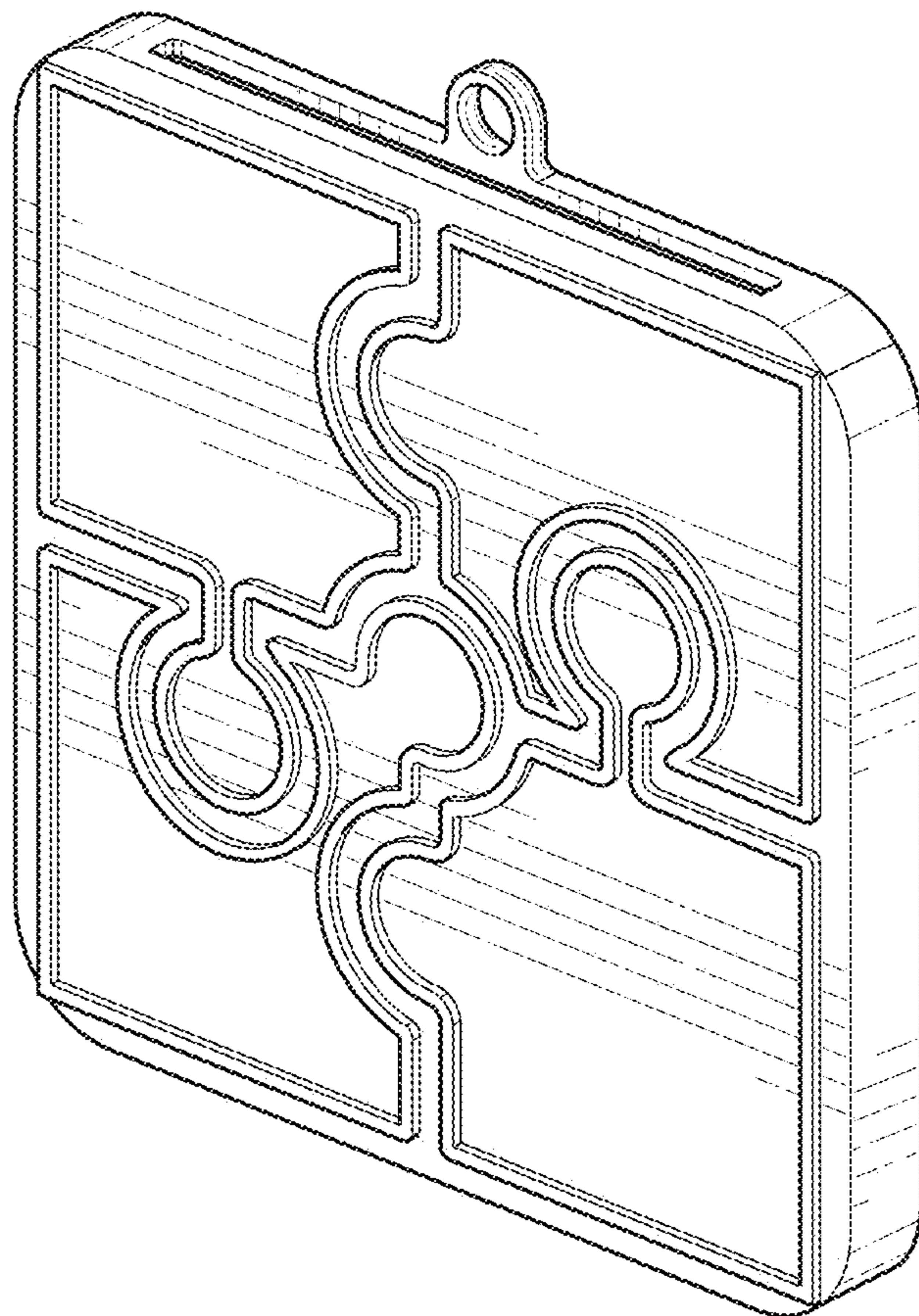


FIG. 1

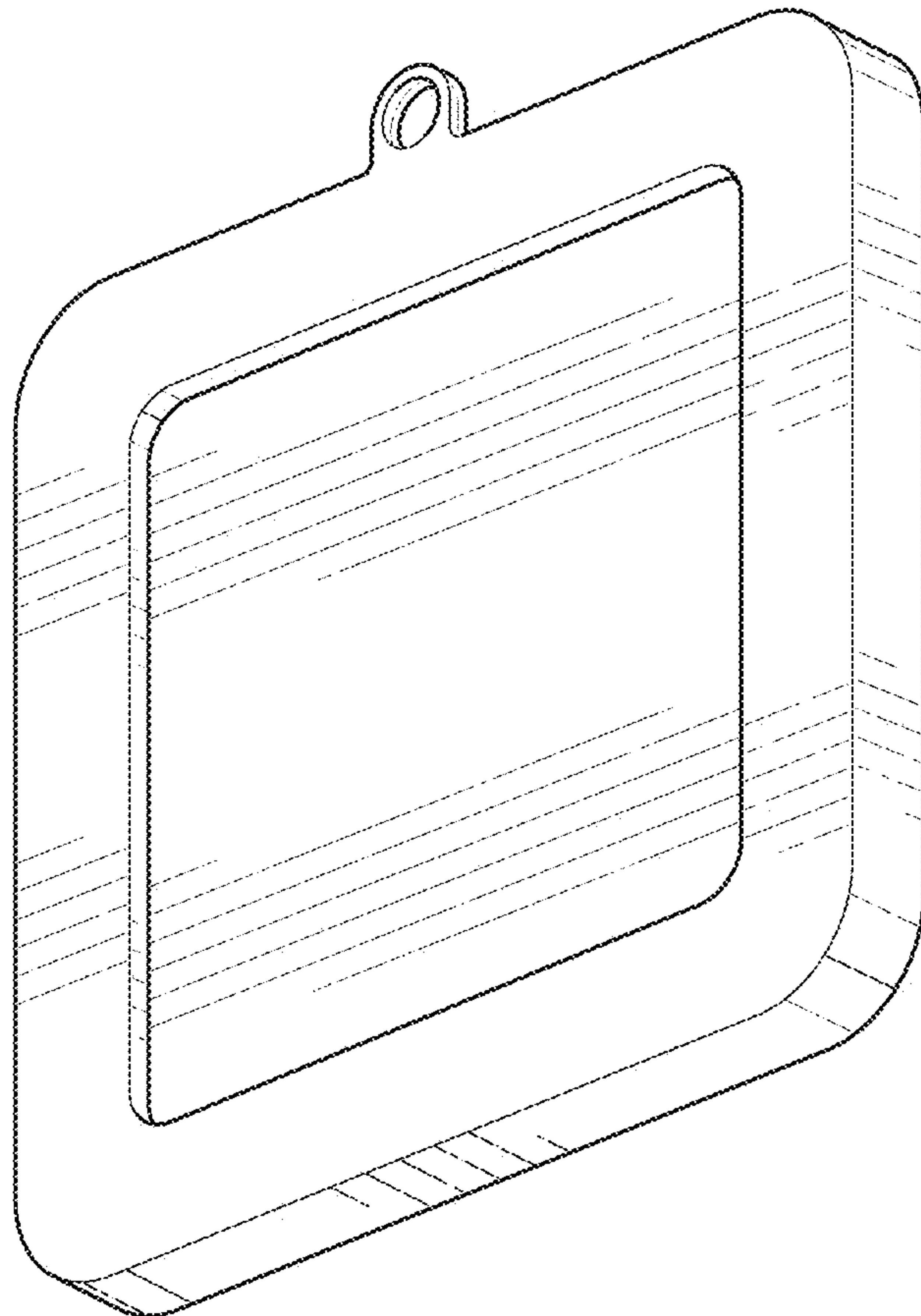


FIG. 2

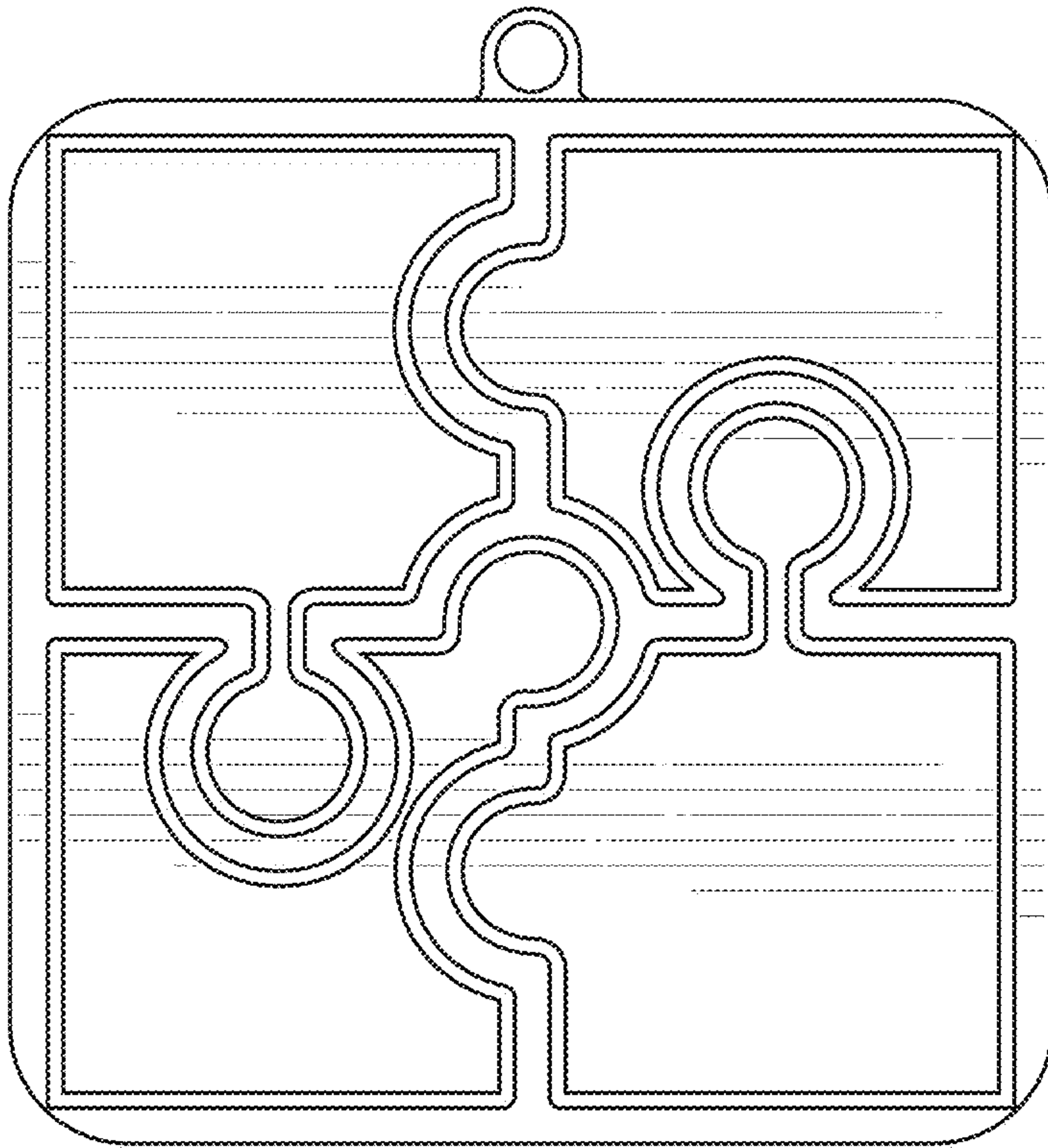


FIG. 3

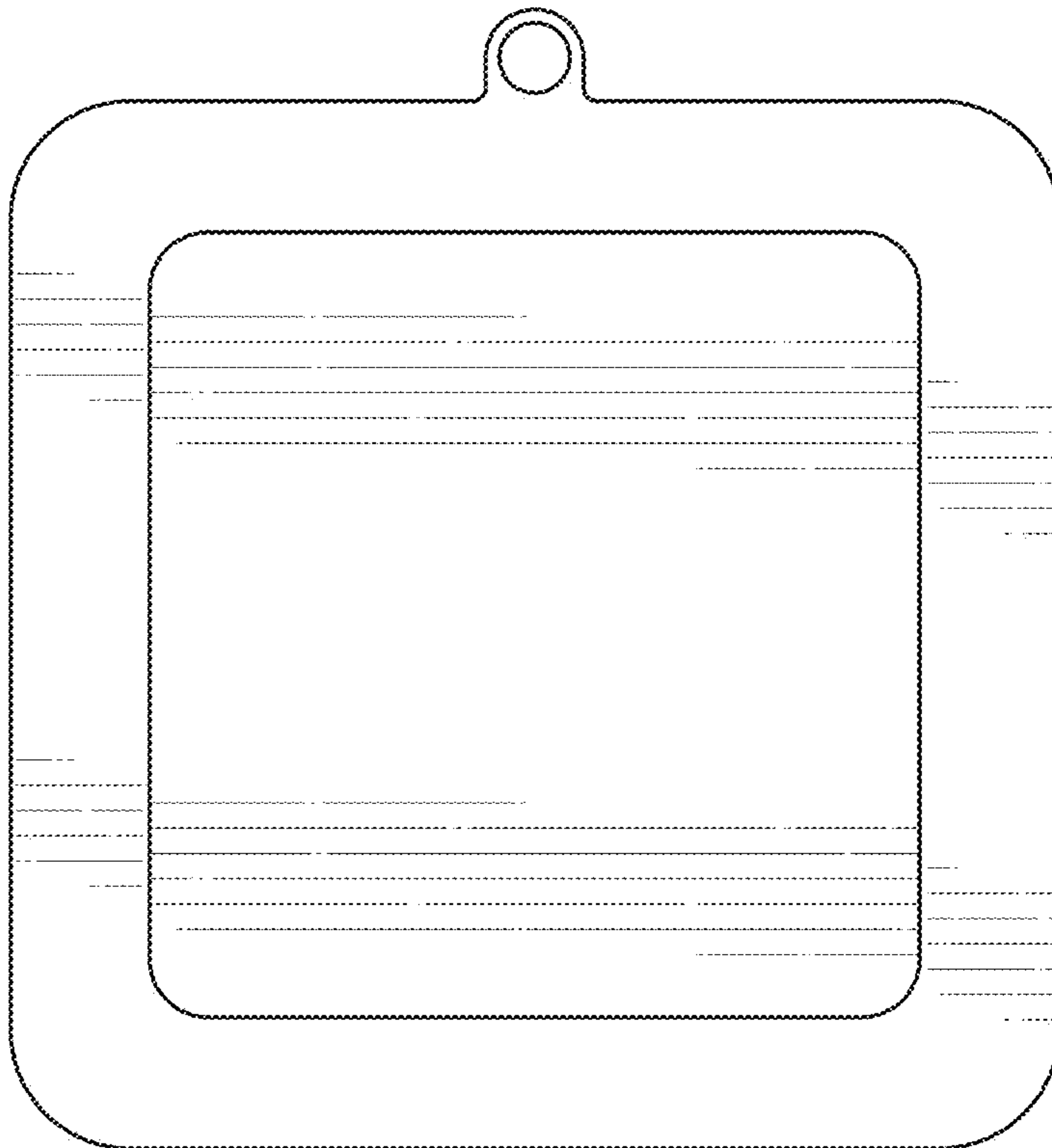


FIG. 4

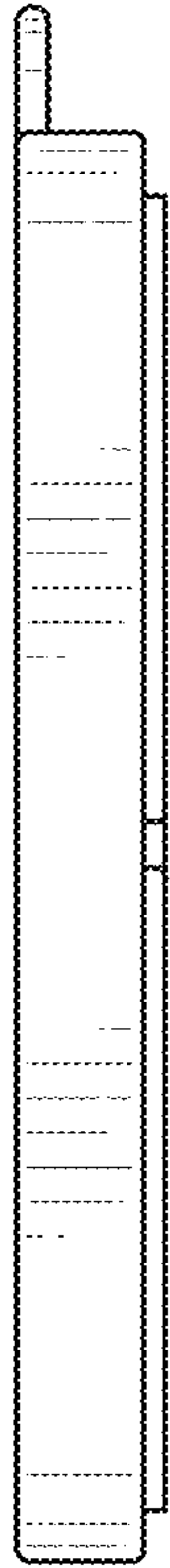


FIG. 5

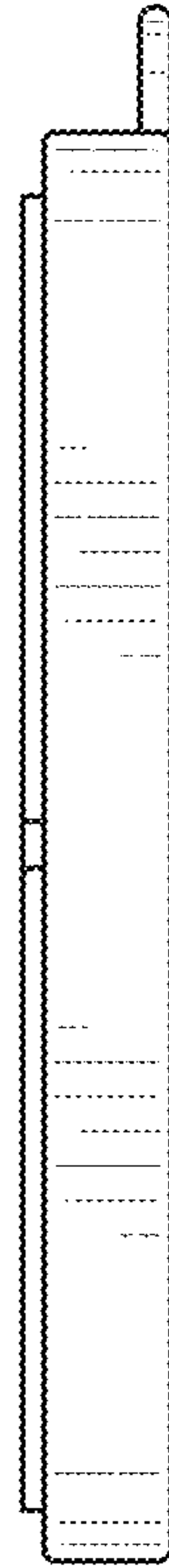


FIG. 6

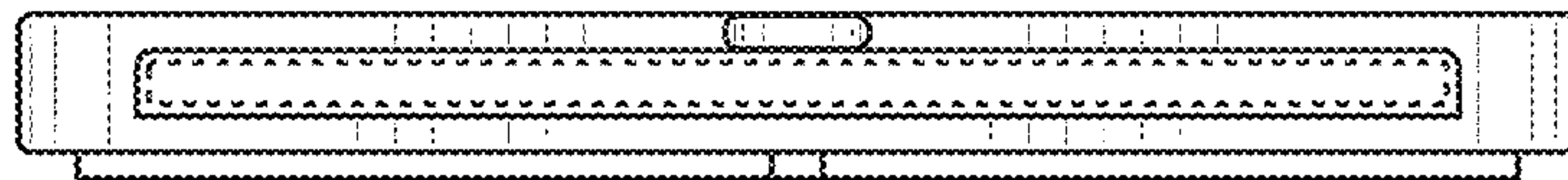


FIG. 7

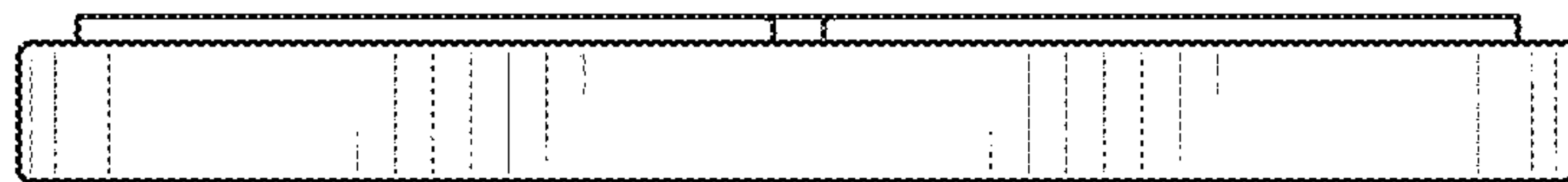


FIG. 8