



US00D947707S

(12) **United States Design Patent** (10) **Patent No.:** **US D947,707 S**
McLear et al. (45) **Date of Patent:** **** *Apr. 5, 2022**

(54) **WEARABLE FINGER RING DEVICE**

G07F 7/1016; G06Q 20/40975; G06K 19/0774; H01Q 1/27; A47Q 21/16; A47Q 21/00

(71) Applicant: **MTG Co., Ltd.**, Aichi (JP)

See application file for complete search history.

(72) Inventors: **John McLear**, West Yorkshire (GB);
Stuart Childs, West Yorkshire (GB)

(56) **References Cited**

(73) Assignee: **MTG Co., Ltd.**, Aichi (JP)

U.S. PATENT DOCUMENTS

(*) Notice: This patent is subject to a terminal disclaimer.

404,956 A * 6/1889 Burdon A44C 9/00 63/15
D29,797 S * 12/1898 Pratt D23/262

(**) Term: **15 Years**

(Continued)

(21) Appl. No.: **29/618,264**

OTHER PUBLICATIONS

(22) Filed: **Sep. 20, 2017**

[Online] "opn" <https://store.nfcring.com/products/opn?variant=500585234433>. Retrieved Nov. 21, 2020.*

(30) **Foreign Application Priority Data**

(Continued)

May 31, 2017 (JP) 2017-011640

(51) **LOC (13) Cl.** **11-01**

(52) **U.S. Cl.**

USPC **D11/26**

(58) **Field of Classification Search**

USPC D11/1-12, 26-39, 91, 92; D8/262, 367, D8/382, 396, 399, 18; D7/633; D23/266, 262; D14/344

CPC A44C 5/00; A44C 5/0007; A44C 5/0023; A44C 5/003; A44C 5/0038; A44C 5/0046; A44C 5/0053; A44C 5/0061; A44C 5/0069; A44C 5/0076; A44C 5/0084; A44C 5/0092; A44C 5/02; A44C 5/022; A44C 5/025; A44C 5/027; A44C 9/00; A44C 9/0007; A44C 9/0015; A44C 9/0023; A44C 9/003; A44C 9/0038; A44C 9/0046; A44C 9/0053; A44C 9/0061; A44C 9/0069; A44C 9/0076; A44C 9/0084; A44C 9/0092; A44C 9/02; A44C 17/02; A44C 17/0208; A44C 17/0215; A44C 17/0225; A44C 17/0233; A44C 17/0241; A44C 17/025; A44C 17/0258; A44C 17/0266; A44C 17/0275; A44C 17/0283; A44C 17/0291; A44C 27/001;

Primary Examiner — Melanie Pellegrini

(74) *Attorney, Agent, or Firm* — Muncy, Geissler, Olds & Lowe, P.C.

(57) **CLAIM**

The ornamental design for a wearable finger ring device, as shown and described.

DESCRIPTION

FIG. 1 is a perspective view of a wearable finger ring device showing our new design;

FIG. 2 is a front elevational view thereof;

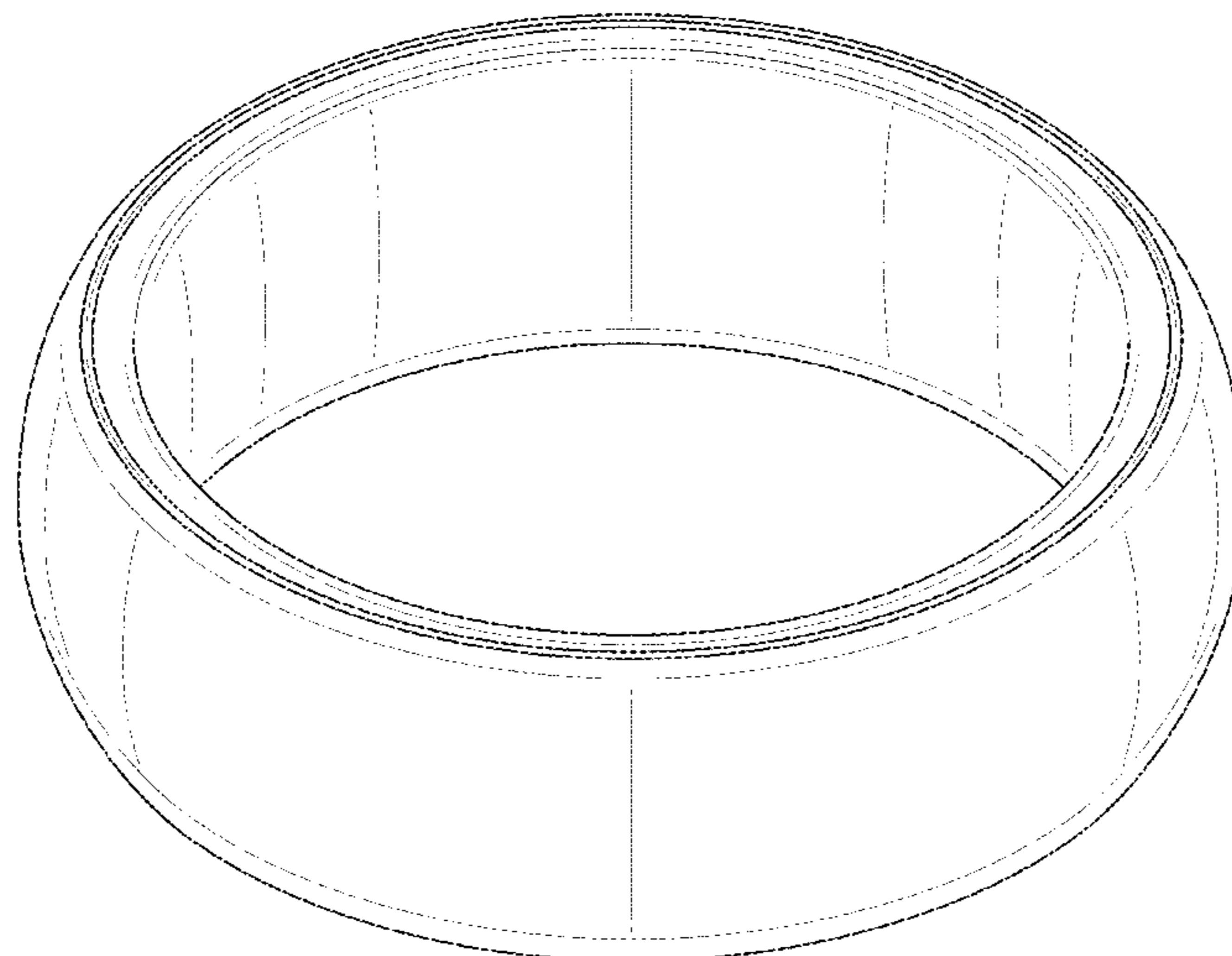
FIG. 3 is a rear elevational view thereof, the left side elevational view and right side elevational views being identical thereto;

FIG. 4 is a top plan view thereof, the bottom plan view being identical thereto; and,

FIG. 5 is a cross-sectional view taken along line 5-5 of FIG. 2.

The broken lines illustrate portions of the wearable finger ring device which form no part of the claimed design.

1 Claim, 5 Drawing Sheets



(56)

References Cited

U.S. PATENT DOCUMENTS

D33,674 S * 12/1900 Bliss, Jr. D11/4
 D44,543 S * 8/1913 Robbins D11/4
 D44,545 S * 8/1913 Robbins D11/4
 D99,688 S * 5/1936 Tomlinson D11/39
 D173,197 S * 10/1954 Gittler D11/38
 D203,551 S * 1/1966 Tranfield D11/26
 3,790,775 A * 2/1974 Rosenblatt A44C 5/00
 362/104
 4,307,502 A * 12/1981 Scola A44C 9/0023
 29/896.412
 D285,275 S * 8/1986 Pollitz D7/633
 D300,731 S * 4/1989 Flinchbaugh D11/26
 D331,724 S * 12/1992 Klein D11/26
 5,483,808 A * 1/1996 Barbazza A44C 9/003
 63/15.4
 D376,556 S * 12/1996 Indorf D11/29
 5,701,765 A * 12/1997 Cerqua A44C 9/003
 63/15
 6,116,053 A * 9/2000 Siebenberg A44C 9/00
 63/15
 D442,509 S * 5/2001 Yamanaka D11/26
 D488,086 S * 4/2004 Schubach D11/26
 D531,077 S * 10/2006 Waldmann D11/39
 D541,693 S * 5/2007 Skuza D11/39
 D562,174 S * 2/2008 Miller D11/34
 D562,175 S * 2/2008 Miller D11/35
 D587,157 S * 2/2009 Hawk D11/26
 D591,557 S * 5/2009 Bodum D7/387
 7,836,726 B2 * 11/2010 Picardi A44C 9/003
 63/15.1
 D642,633 S * 8/2011 Walterscheid D21/444
 D692,790 S * 11/2013 Goerges D11/3
 D734,329 S * 7/2015 Lee D14/344
 D750,994 S * 3/2016 Baker D11/26
 D751,447 S * 3/2016 Baker D11/26
 D751,448 S * 3/2016 Baker D11/26
 D754,356 S * 4/2016 Lee D24/187
 D780,615 S * 3/2017 Baker D11/26
 D784,182 S * 4/2017 Baker D11/26
 D787,363 S * 5/2017 Faught D11/26
 D789,231 S * 6/2017 Baker D11/26
 D789,232 S * 6/2017 Baker D11/26
 D791,764 S * 7/2017 von Badinski D14/344
 D791,765 S * 7/2017 von Badinski D14/344
 D801,848 S * 11/2017 Rosenberg D11/26
 D804,471 S * 12/2017 von Badinski D14/344
 D808,847 S * 1/2018 Warren D11/26
 D822,920 S * 7/2018 Woods D30/160
 D829,712 S * 10/2018 Becker D14/344
 D835,540 S * 12/2018 Bellisha D11/39
 D840,260 S * 2/2019 Forster D11/3
 D844,600 S * 4/2019 Choi D14/344

D845,150 S * 4/2019 Shlyakhturov D10/46
 10,349,709 B2 * 7/2019 Jones A44C 9/02
 10,383,411 B2 * 8/2019 Goodwin B29C 45/14336
 D880,339 S * 4/2020 Fridman D11/26
 10,646,009 B2 * 5/2020 Song C22C 29/02
 D885,962 S * 6/2020 Jones D11/26
 D885,963 S * 6/2020 Riviere D11/26
 D934,102 S * 10/2021 Barnes D11/26
 2003/0137406 A1 * 7/2003 Kaneda H04M 1/03
 340/388.1
 2003/0221450 A1 * 12/2003 Selinger A44C 9/00
 63/15
 2006/0075781 A1 * 4/2006 Kretchmer A44C 5/22
 63/5.1
 2007/0151295 A1 * 7/2007 Picardi A44C 9/003
 63/15.4
 2008/0184738 A1 * 8/2008 Smarsh A44C 9/00
 63/15
 2009/0056373 A1 * 3/2009 Czajka A44C 9/0015
 63/3
 2009/0293541 A1 * 12/2009 Webb A44C 9/0015
 63/3
 2010/0329084 A1 * 12/2010 Mo G04B 47/046
 368/285
 2011/0296873 A1 * 12/2011 Derrig A44C 27/006
 63/15
 2012/0304692 A1 * 12/2012 Derrig C23C 14/00
 63/12
 2012/0308844 A1 * 12/2012 Derrig A44B 15/005
 428/627
 2014/0326022 A1 * 11/2014 Tosyali A44C 9/02
 63/15.1
 2015/0185852 A1 * 7/2015 Guo G06F 3/017
 345/156
 2015/0220109 A1 * 8/2015 von Badinski G02B 19/0052
 340/539.12
 2016/0345692 A1 * 12/2016 Baker B29C 43/203
 2018/0035768 A1 * 2/2018 Goodwin B29C 45/16
 2018/0199681 A1 * 7/2018 Baker A44C 9/00
 2018/0201053 A1 * 7/2018 Graziano A44C 9/00
 2018/0289117 A1 * 10/2018 Guirguis A44C 9/00
 2018/0289118 A1 * 10/2018 Guirguis A44C 9/00
 2018/0343989 A1 * 12/2018 McLearn A44C 27/00
 2019/0005672 A1 * 1/2019 McLearn G06T 7/62
 2019/0006742 A1 * 1/2019 McLearn H01Q 1/2225
 2019/0116946 A1 * 4/2019 Jones A44C 9/00
 2019/0150576 A1 * 5/2019 Bellisha A44C 9/00
 2019/0355191 A1 * 11/2019 Jones G06K 19/0723

OTHER PUBLICATIONS

[Online] "Ringpay" <https://mclear.com/product/payment-ring/>. Retrieved.*

* cited by examiner

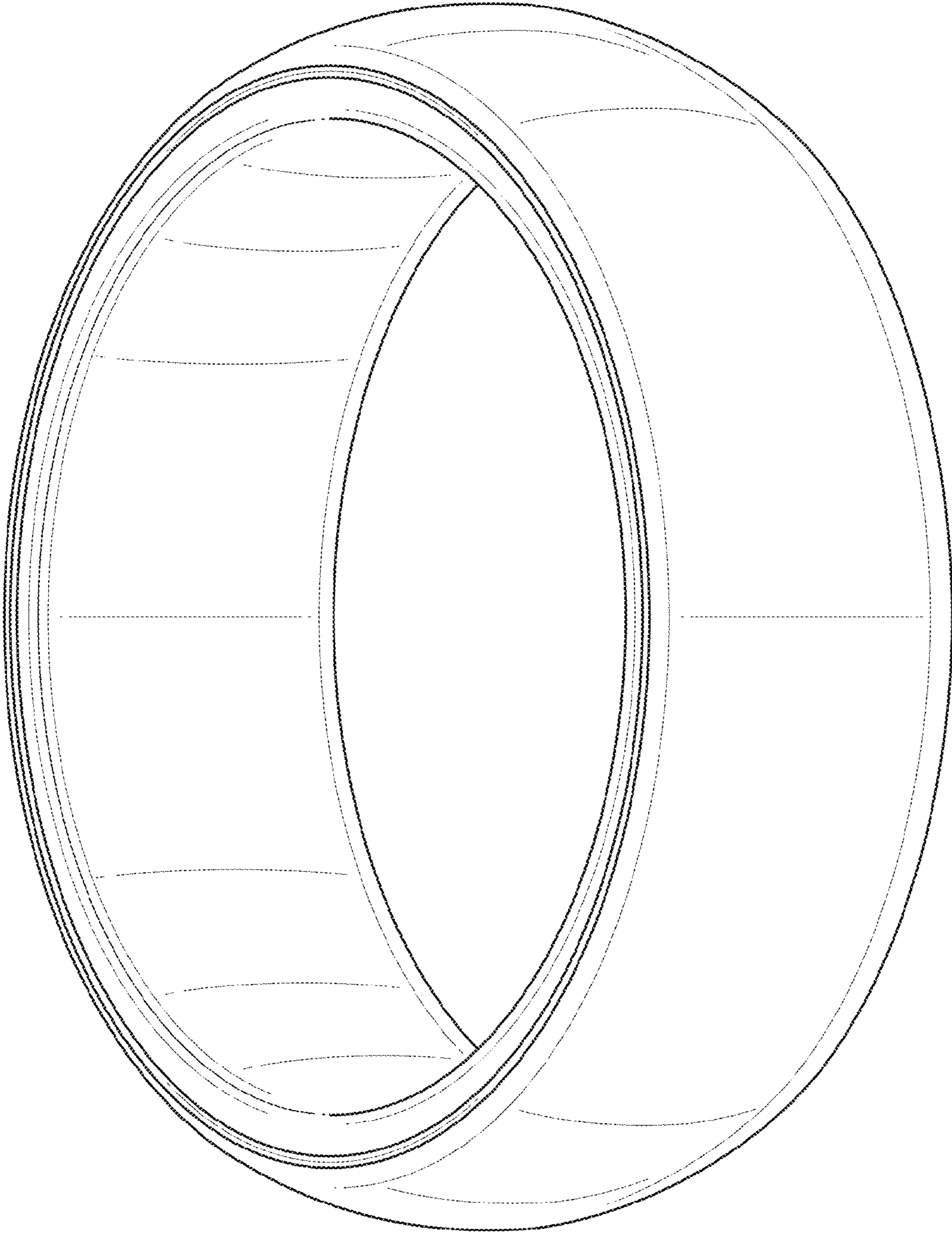


FIG. 1

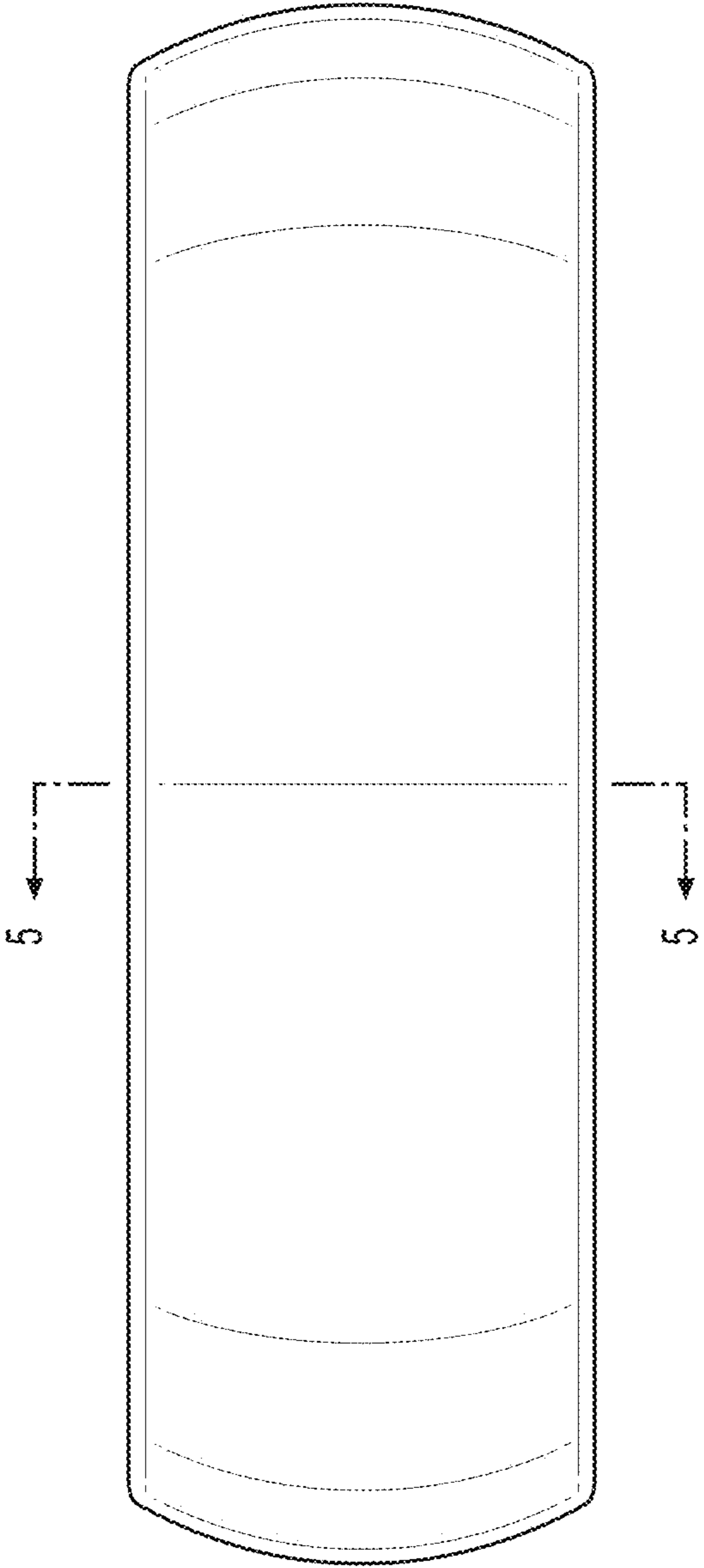


FIG. 2

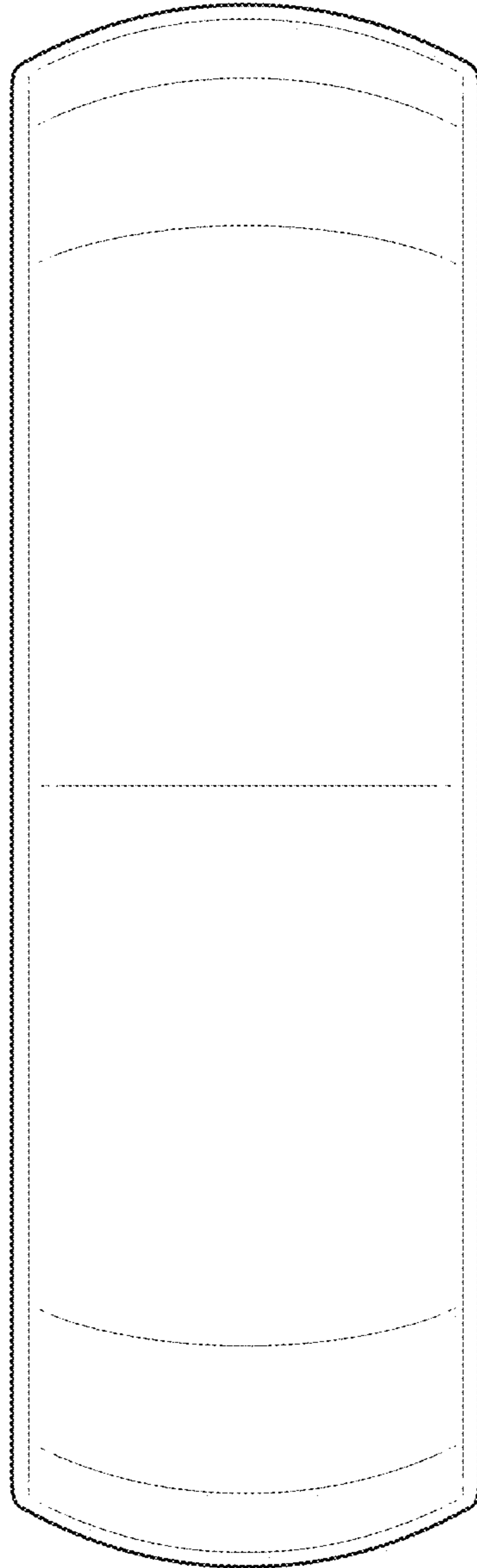


FIG. 3

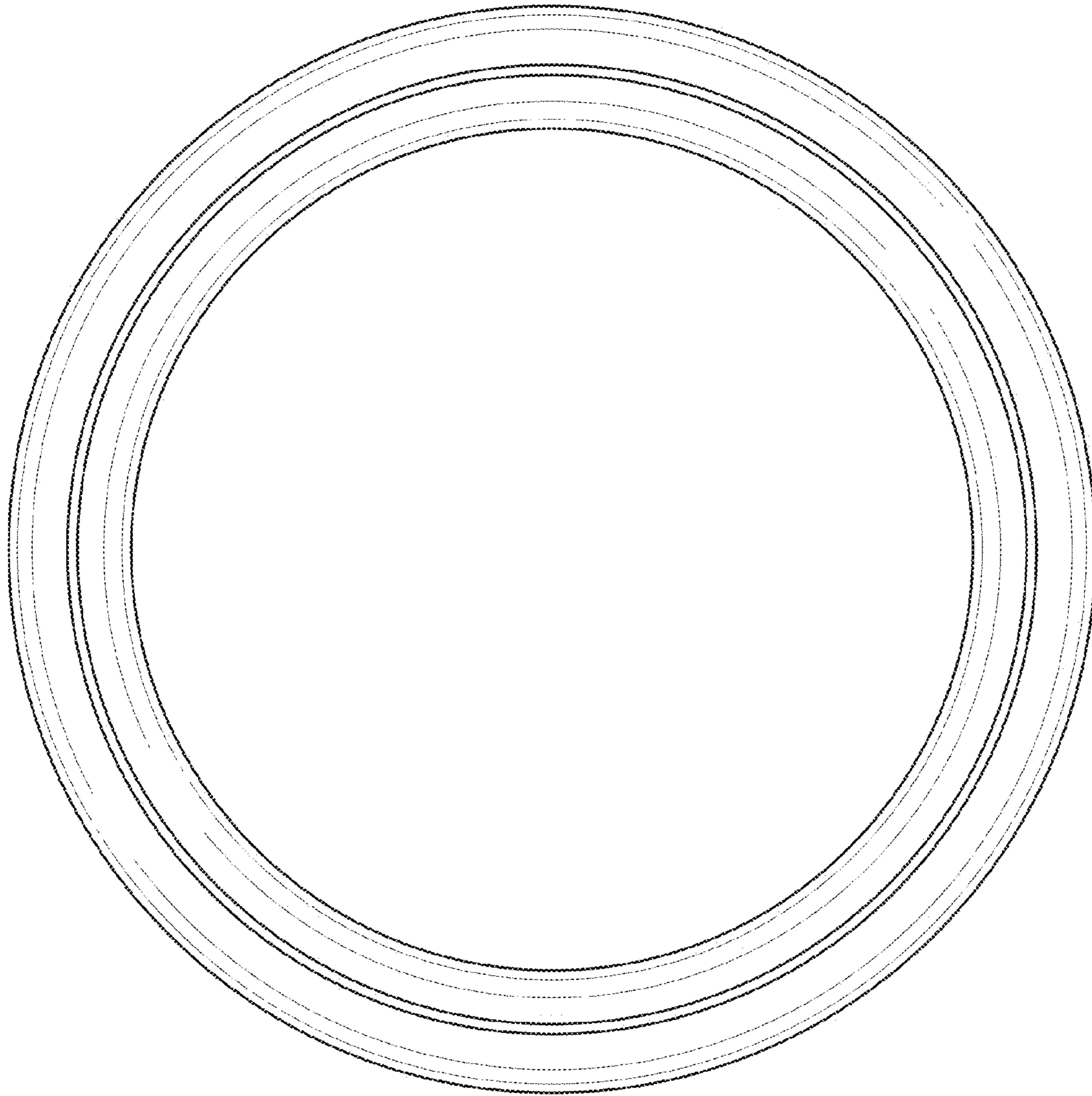


FIG. 4

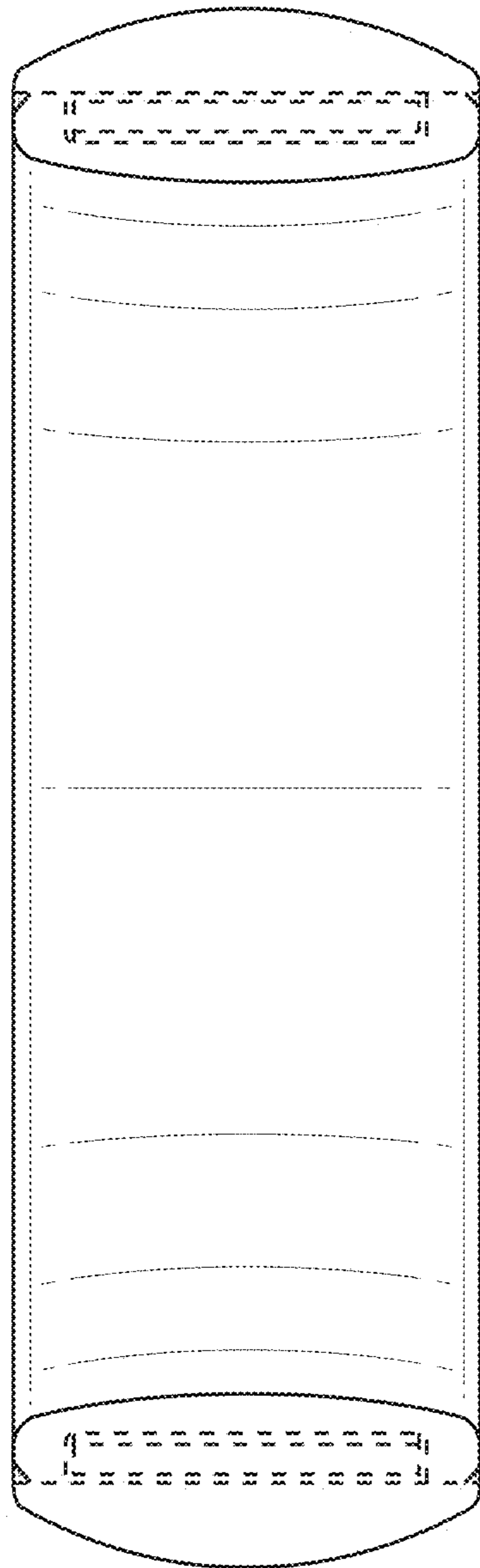


FIG. 5