



US00D947700S

(12) **United States Design Patent** (10) **Patent No.:** **US D947,700 S**  
**Scalisi** (45) **Date of Patent:** **\*\* Apr. 5, 2022**

- (54) **OUTDOOR SECURITY SYSTEM**
- (71) Applicant: **SkyBell Technologies IP, LLC**, Irvine, CA (US)
- (72) Inventor: **Joseph Frank Scalisi**, Lakeway, TX (US)
- (73) Assignee: **SkyBell Technologies IP, LLC**, Irvine, CA (US)
- (\*\*) Term: **15 Years**
- (21) Appl. No.: **29/805,956**
- (22) Filed: **Aug. 31, 2021**

5,774,569 A	6/1998	Waldenmaier	
D444,253 S *	6/2001	Blanchard	D26/67
6,375,366 B1	4/2002	Kato	
6,535,243 B1	3/2003	Tullis	
6,812,970 B1	11/2004	McBride	
7,826,729 B2	11/2010	Cullen	
7,991,575 B2	8/2011	Vogel	
D660,492 S *	5/2012	Williams	D26/68
D728,655 S	5/2015	Yang	
9,113,051 B1	8/2015	Scalisi	
9,142,214 B2	9/2015	Scalisi	
9,674,433 B1	6/2017	De La Cruz	
9,810,887 B1	11/2017	Abdala	
D837,432 S *	1/2019	Ahrari	D26/68

(Continued)

*Primary Examiner* — George D. Kirschbaum  
*Assistant Examiner* — Lillian Windham  
 (74) *Attorney, Agent, or Firm* — Wesley E. Schwie, Esq.; Gallium Law

**Related U.S. Application Data**

- (63) Continuation of application No. 29/725,150, filed on Feb. 21, 2020.
- (51) **LOC (13) Cl.** ..... **10-05**
- (52) **U.S. Cl.**  
USPC ..... **D10/106.6**
- (58) **Field of Classification Search**  
USPC ..... D10/106.6, 106.7, 104.1, 104.2;  
D16/203; D26/52, 67  
CPC ..... G08B 13/19619; G08B 13/19626; G08B 13/19628; G08B 13/1966; G08B 13/19663; G08B 13/19684; G08B 13/19695; G08B 15/001; G08B 25/014; G08B 25/08; G08B 5/38  
See application file for complete search history.

(57) **CLAIM**

The ornamental design for an outdoor security system, as shown and described.

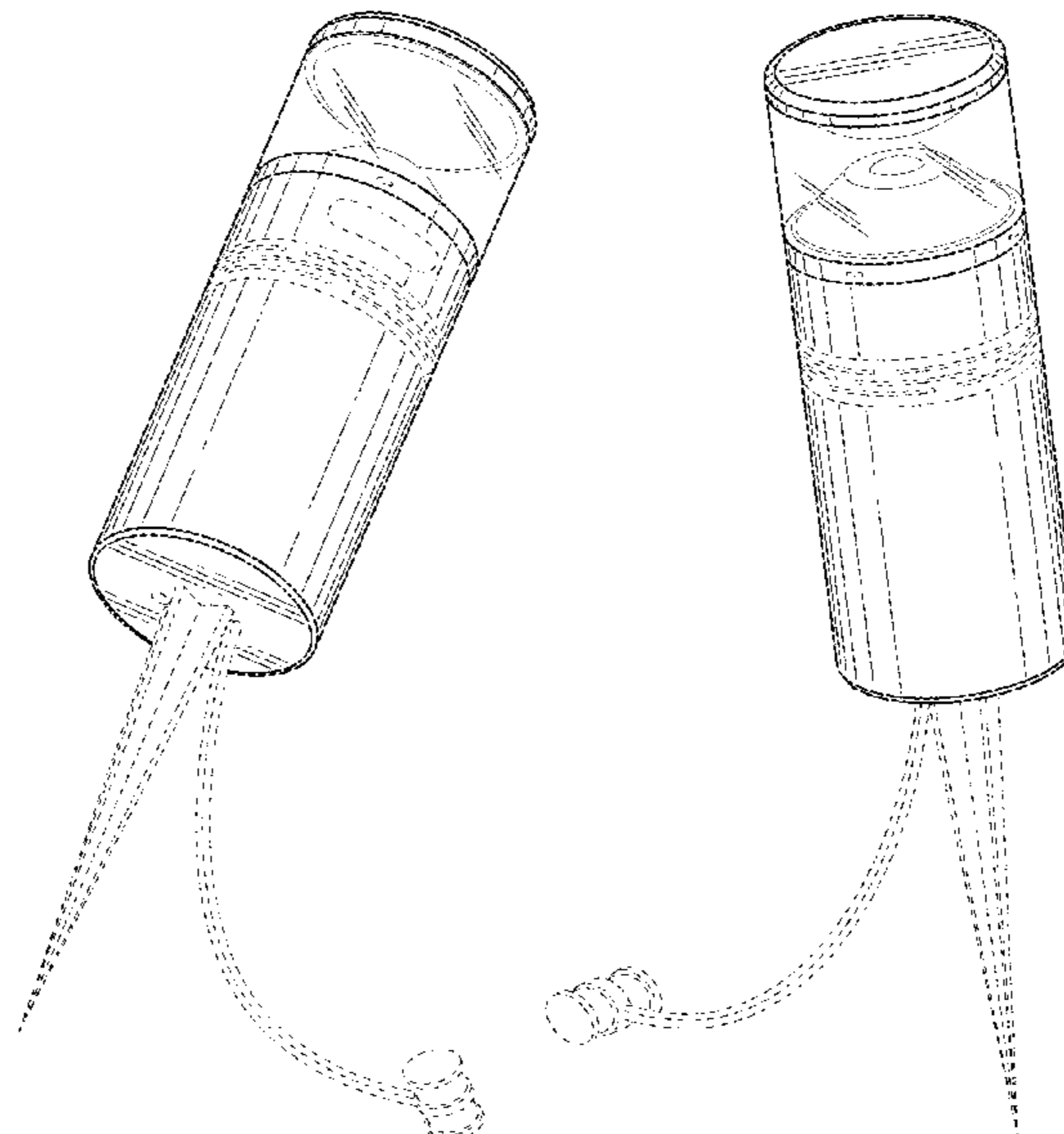
**DESCRIPTION**

FIG. 1 is a front, first side, and bottom perspective view of an outdoor security system embodying the new design; FIG. 2 is a back, first side, and top perspective view thereof; FIG. 3 is a second side perspective view thereof; FIG. 4 is a top perspective view thereof; FIG. 5 is a first side view thereof; FIG. 6 is a front view thereof; FIG. 7 is a second side view thereof; FIG. 8 is a back view thereof; FIG. 9 is a top view thereof; and, FIG. 10 is a bottom view thereof. The broken line showing is included for the purpose of illustrating portions of the outdoor security system and forms no part of the claimed design.

(56) **References Cited**  
 U.S. PATENT DOCUMENTS

D179,803 S	3/1957	Gillette	
3,240,113 A	3/1966	Stechemesser	
D316,758 S *	5/1991	Kira	D26/104
D327,750 S *	7/1992	Klaus	D26/68
D377,229 S *	1/1997	Shalvi	D26/104

**1 Claim, 10 Drawing Sheets**



(56)

**References Cited**

U.S. PATENT DOCUMENTS

D925,089	S	*	7/2021	Ahrari	.....	D26/67
2003/0081952	A1		5/2003	Geng		
2009/0213208	A1		8/2009	Glatt		
2010/0321494	A1		12/2010	Peterson		
2011/0264405	A1		10/2011	Vogel		
2012/0200942	A1		8/2012	Schmidt		
2012/0320150	A1		12/2012	Montgomery		
2013/0057695	A1		3/2013	Huisking		
2013/0223833	A1		8/2013	Tenenbaum		
2014/0292194	A1		10/2014	Sagal		
2014/0320663	A1		10/2014	Chien		
2017/0023780	A1		1/2017	Braker		
2019/0086772	A1	*	3/2019	Scalisi	.....	G03B 37/06
2020/0143644	A1	*	5/2020	Scalisi	.....	G08B 13/19619

\* cited by examiner

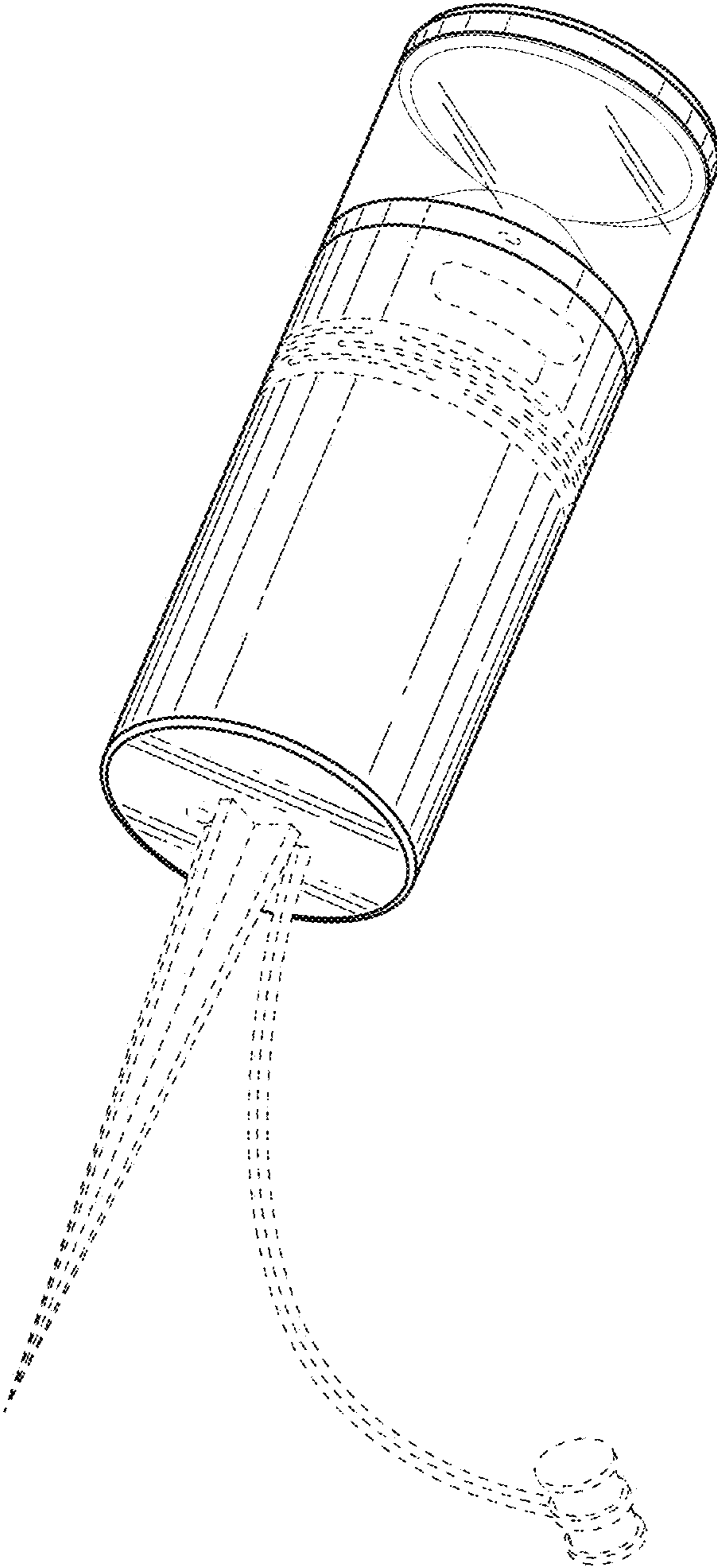


FIG. 1

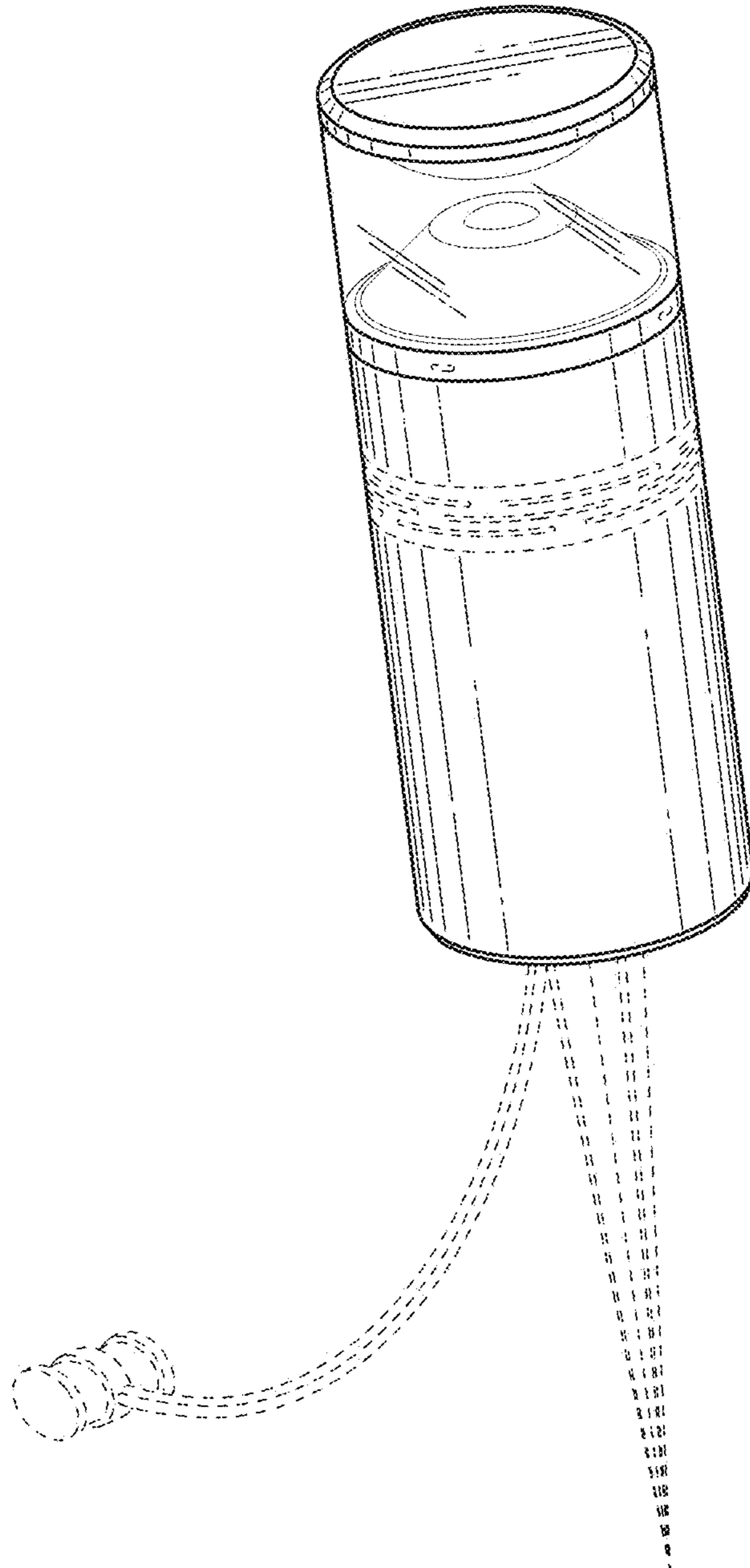


FIG. 2

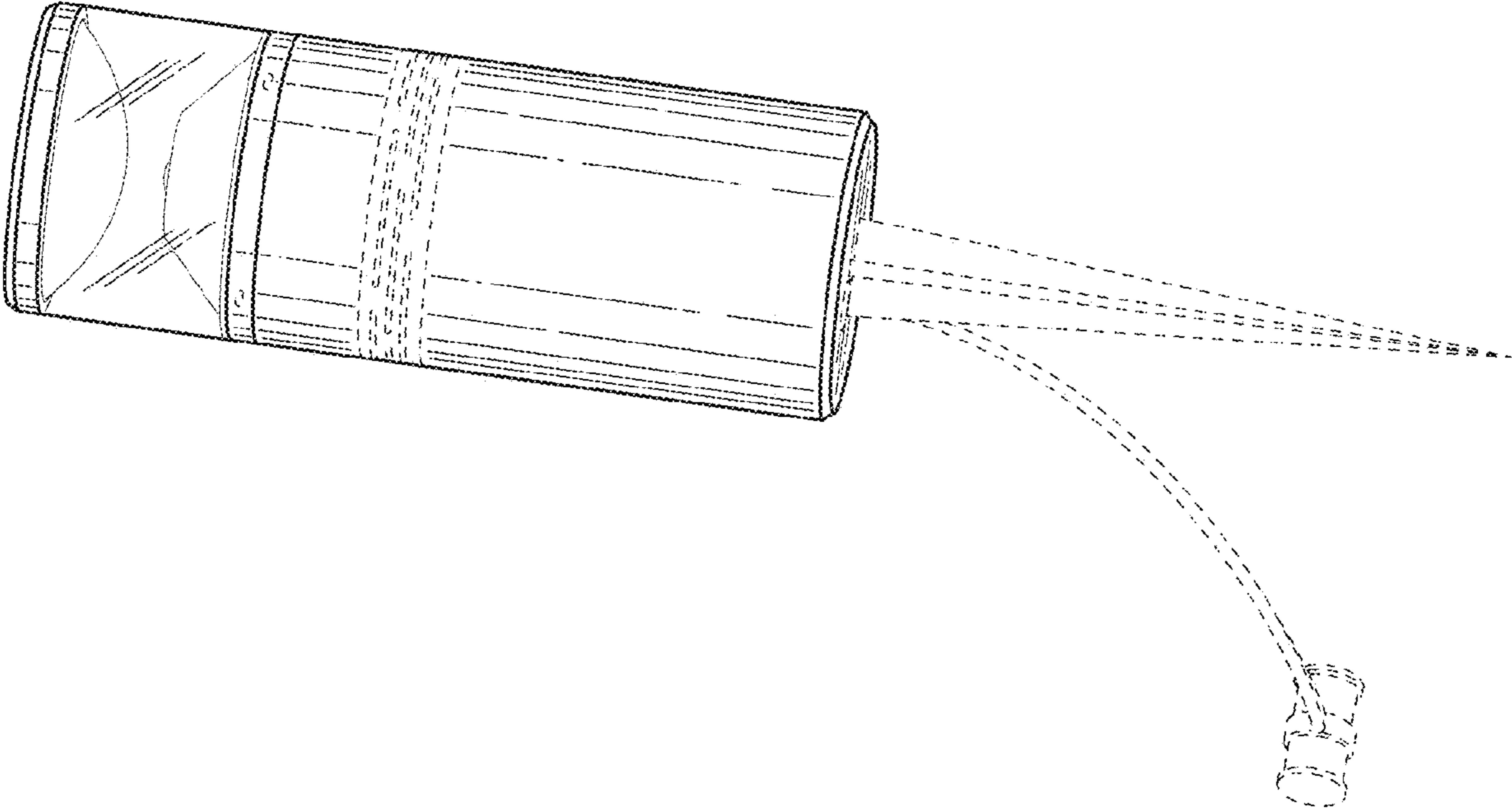


FIG. 3

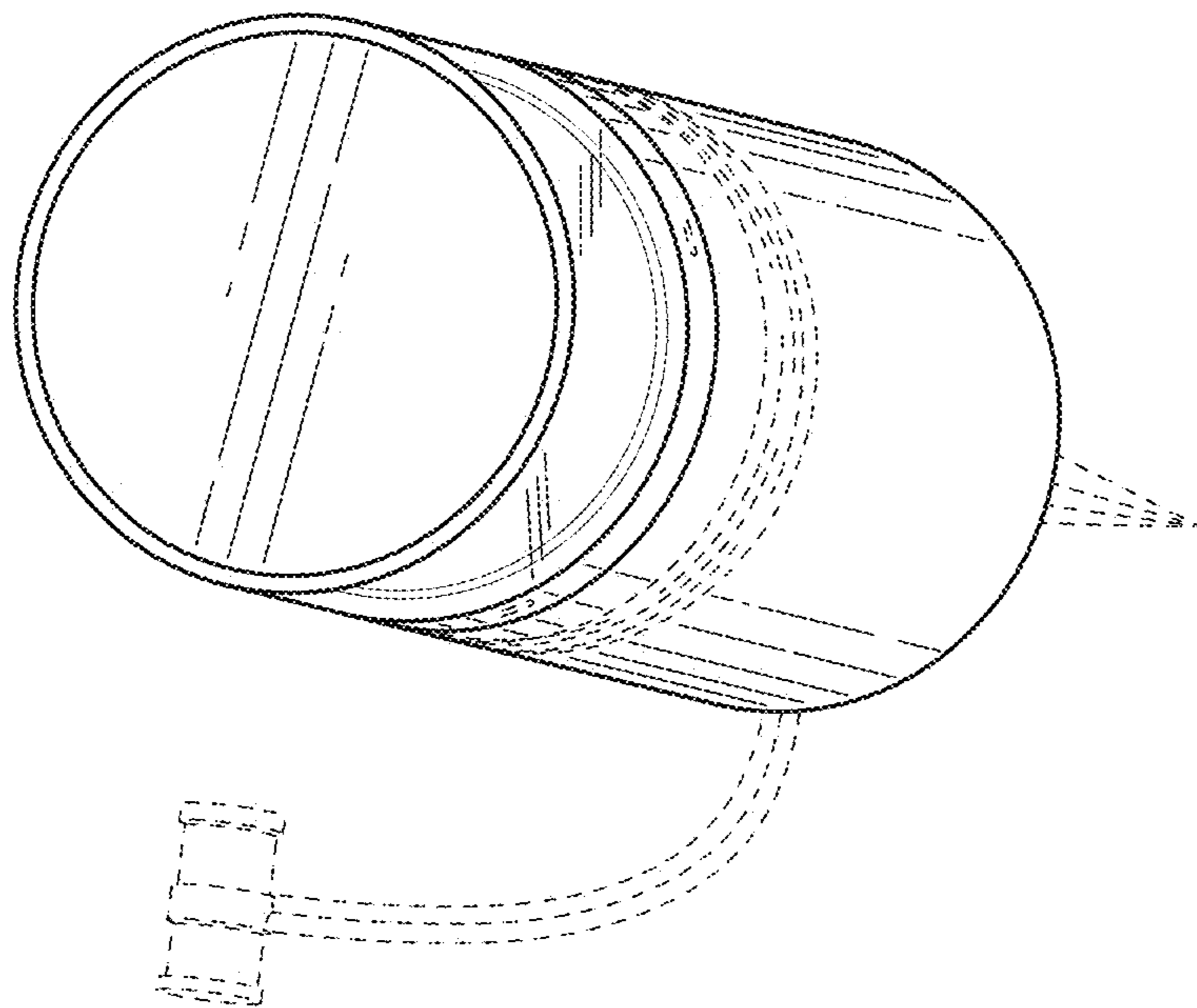


FIG. 4



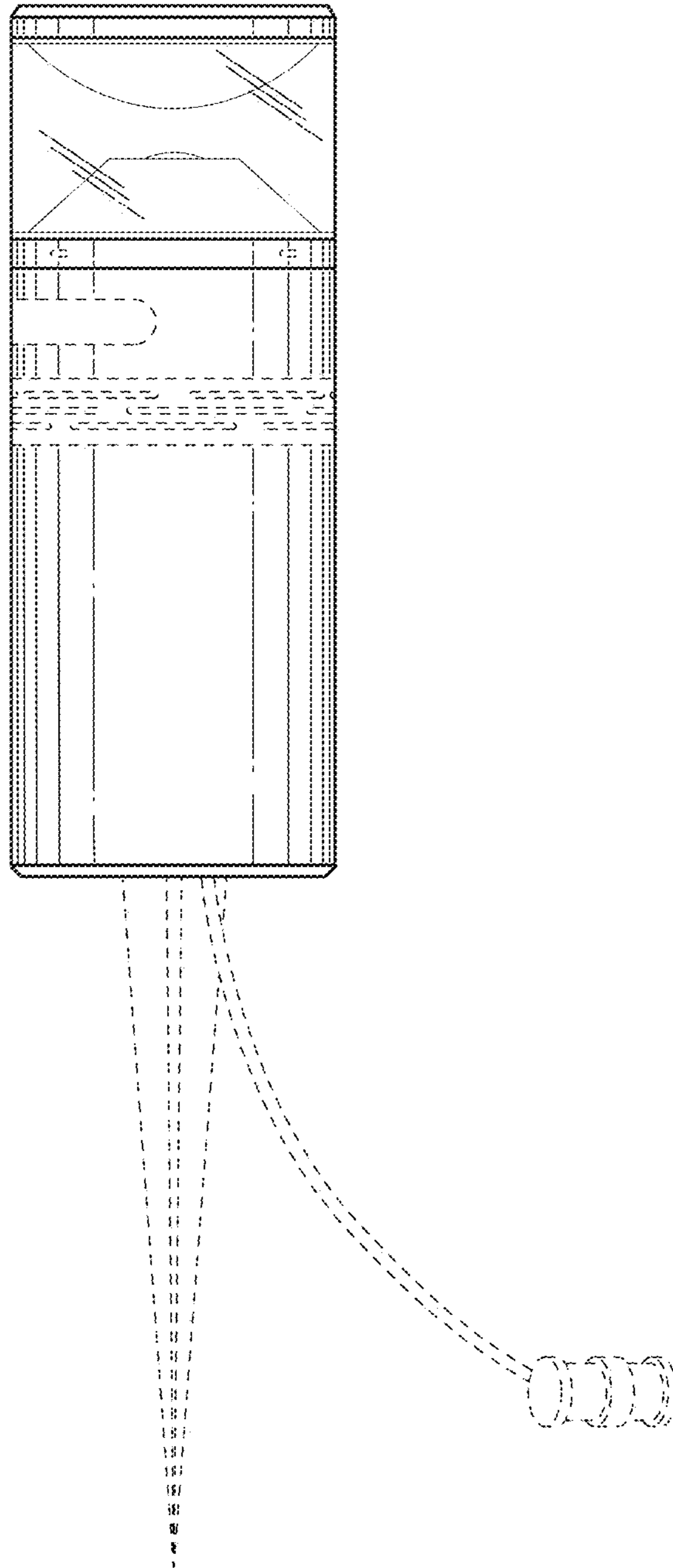


FIG. 5

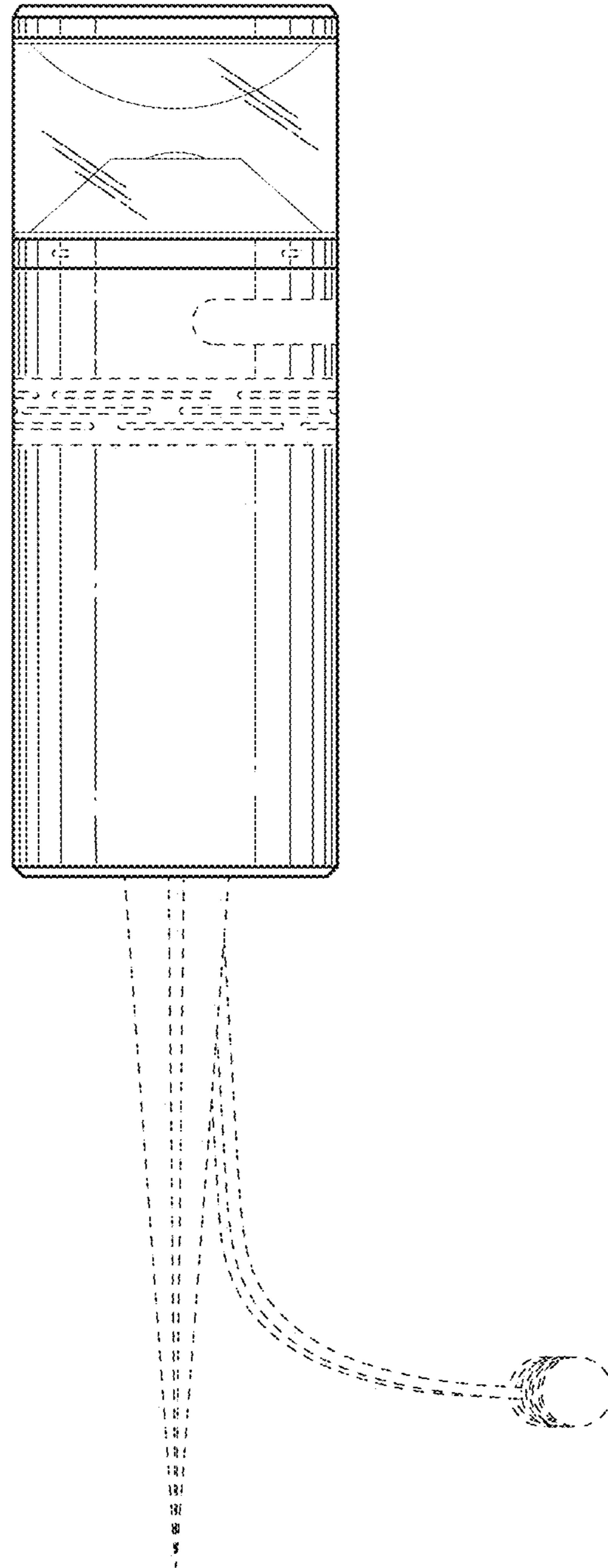


FIG. 6



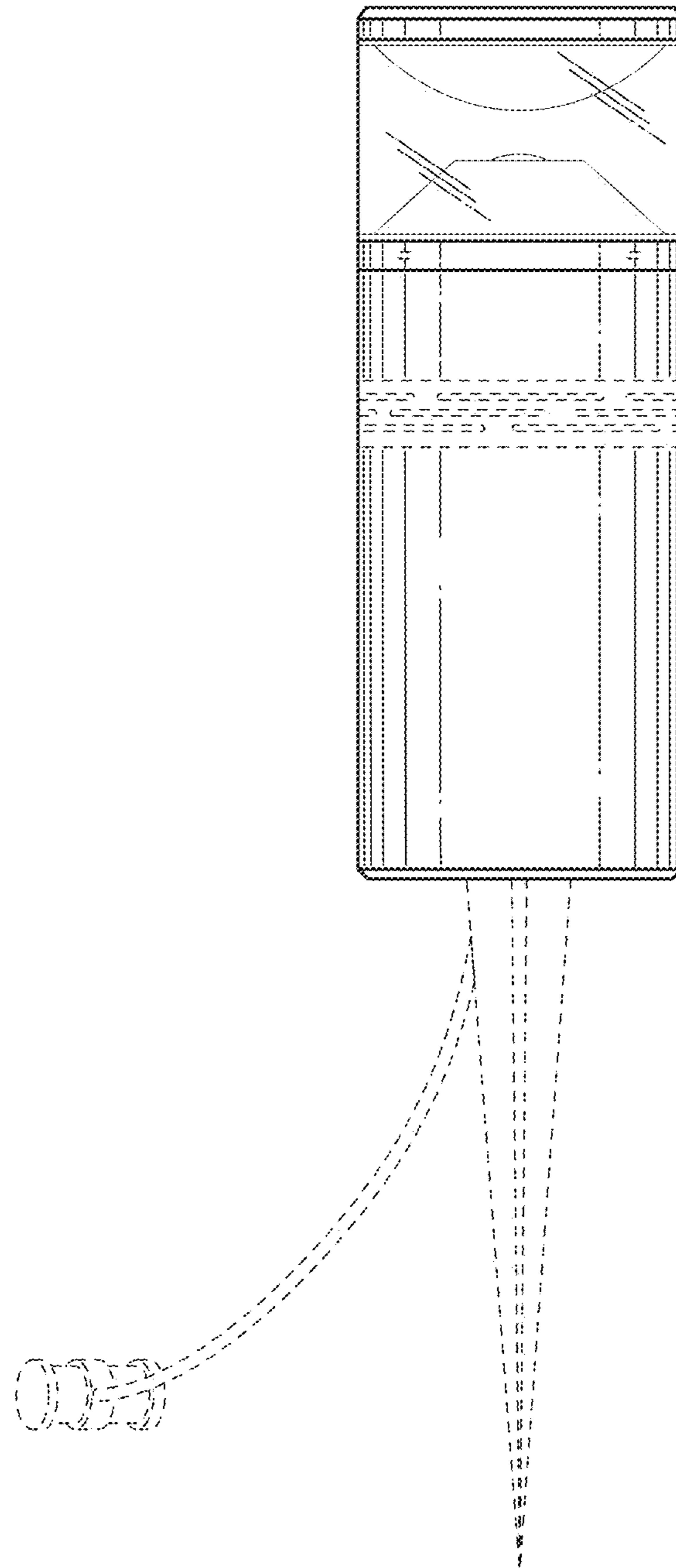


FIG. 7

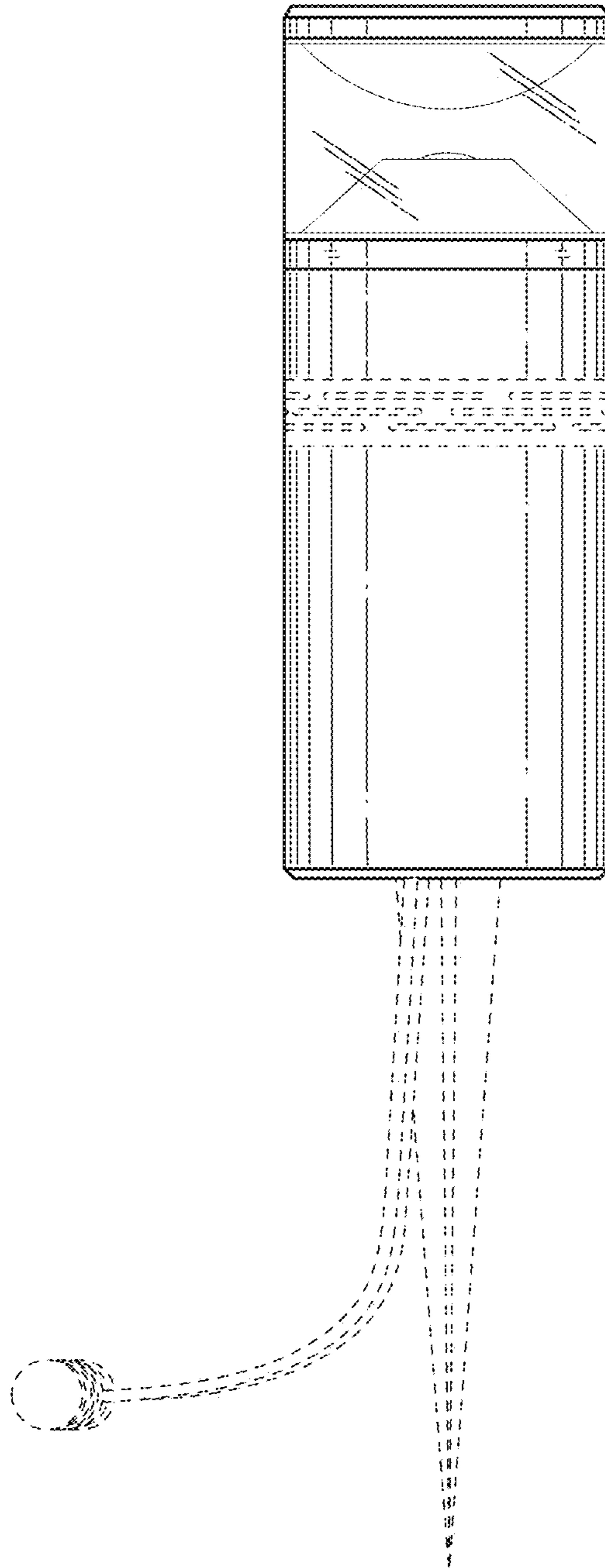


FIG. 8

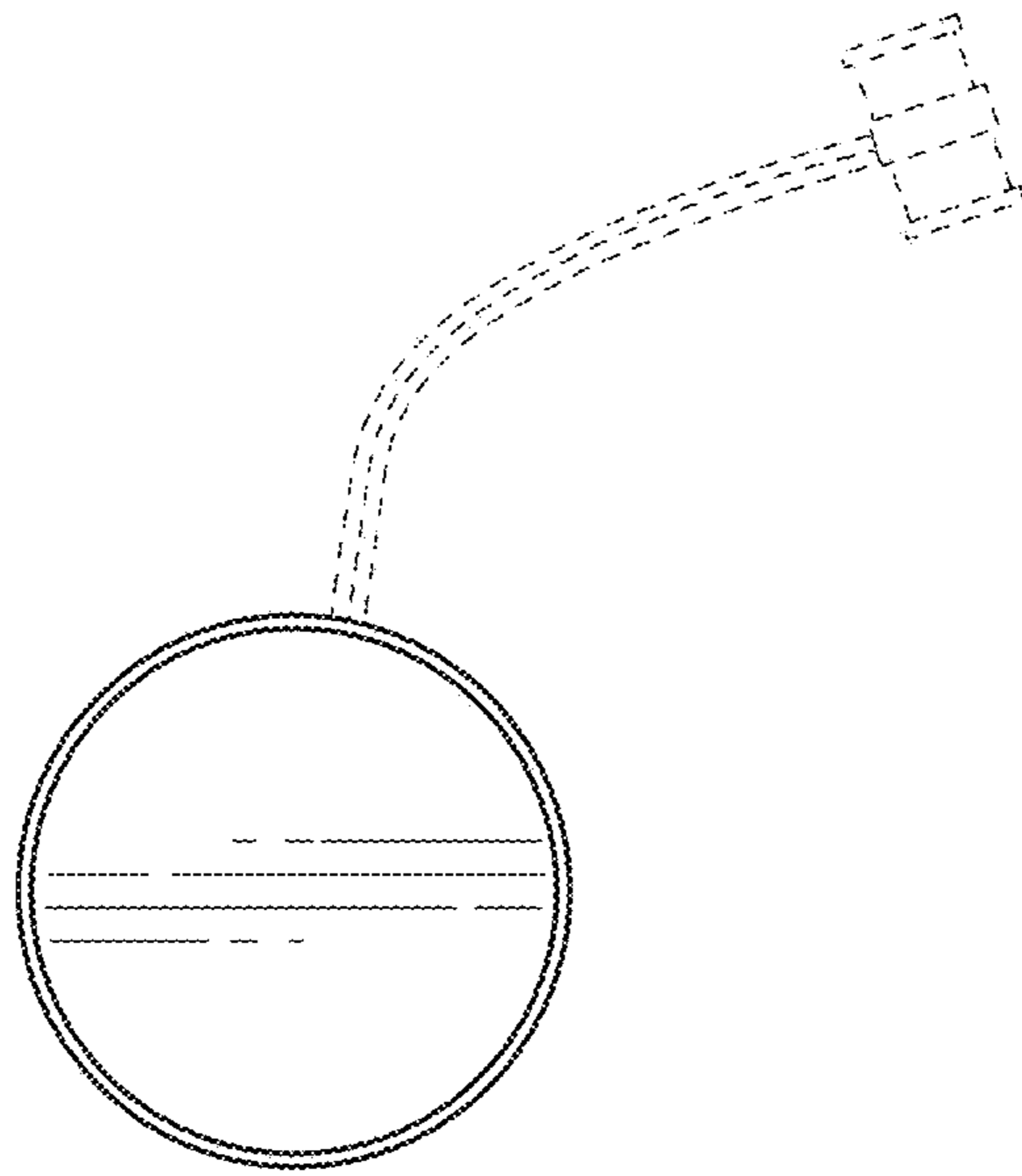


FIG. 9

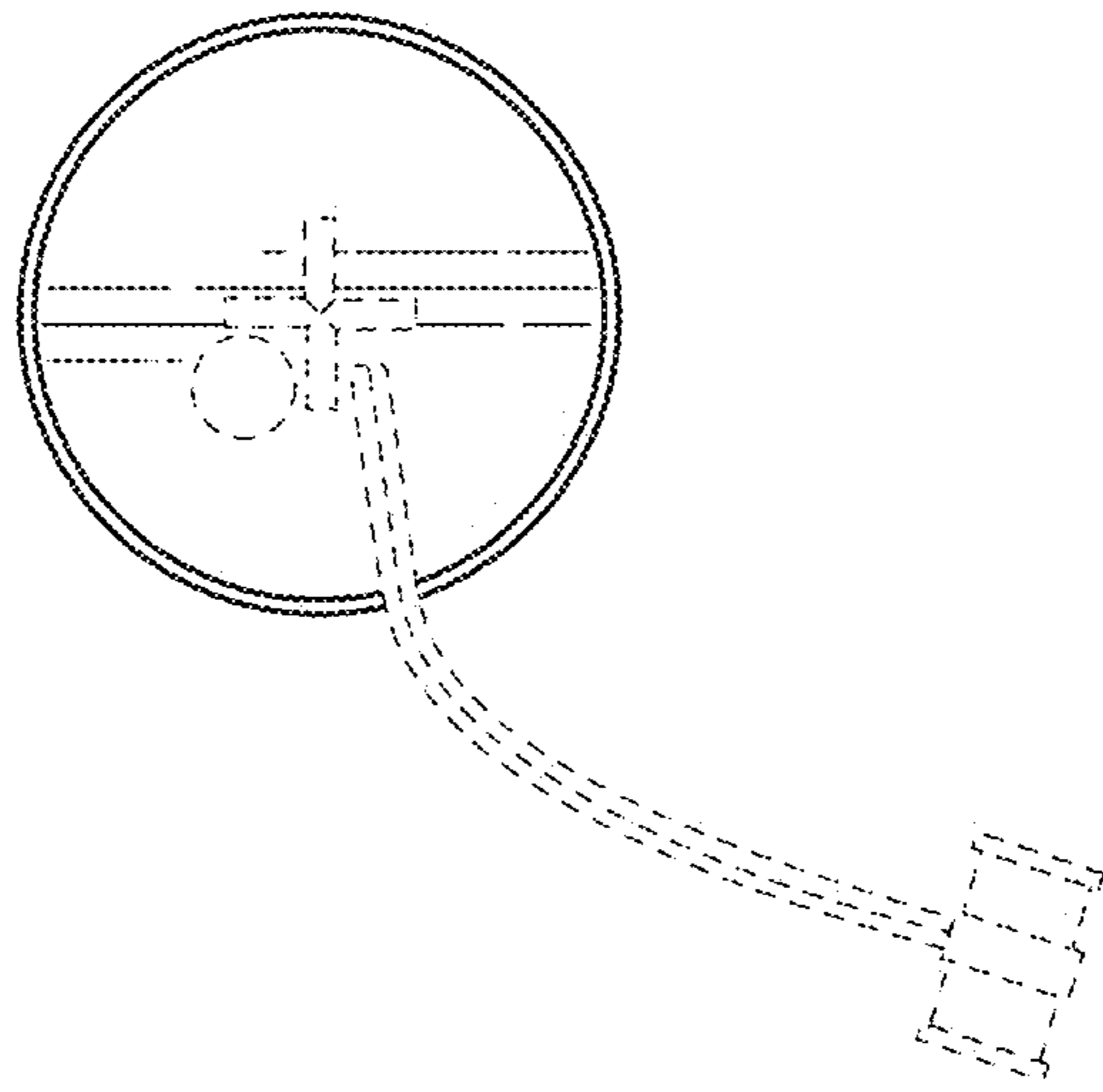


FIG. 10