



US00D947698S

(12) **United States Design Patent**
Mason

(10) **Patent No.:** **US D947,698 S**
(45) **Date of Patent:** **** Apr. 5, 2022**

(54) **HOUSING FOR WATER MONITORING DEVICE**

(71) Applicant: **NIBCO INC.**, Elkhart, IN (US)

(72) Inventor: **Christopher William Mason**, Granger, IN (US)

(73) Assignee: **NIBCO Inc.**, Elkhart, IN (US)

(**) Term: **15 Years**

(21) Appl. No.: **29/746,738**

(22) Filed: **Aug. 17, 2020**

(51) **LOC (13) Cl.** **10-05**

(52) **U.S. Cl.**
USPC **D10/96; D10/103**

(58) **Field of Classification Search**
USPC D10/104.1, 106.1, 106.95, 105, 111, 112,
D10/119.2, 49-60, 65, 81, 103, 96-98;
D23/351, 364

CPC .. B01D 35/147; B01D 46/0086; B01D 46/42;
B01D 2279/50; B01D 46/00; B01D
46/44; F16K 21/04; Y10T 137/87917;
Y10T 137/7837; Y10T 137/7727; F17D
5/02; F24F 3/16; F24F 2110/40; B60H
1/00364; B60H 1/00771; B60H 1/00964;
G08B 19/00; G08B 19/02; G08B 21/20;
G08B 21/182; G01D 7/00; G01D 11/24;
G01D 11/245; G01F 1/00; G01F 23/242;
G01F 23/00; G01N 33/0031; G01N
33/0032;

(Continued)

(56) **References Cited**

U.S. PATENT DOCUMENTS

D751,079 S * 3/2016 Skjoldborg D14/434
D754,081 S * 4/2016 Woodman D13/168
D803,074 S * 11/2017 Dingjian D10/60

(Continued)

FOREIGN PATENT DOCUMENTS

CN 3445718 * 5/2005
CN 303977005 * 5/2016

(Continued)

OTHER PUBLICATIONS

P3 International Store, Save A Drop Water Flow Meter, Date first available Apr. 25, 2018, [online]retrieved Nov. 1, 2021,available from https://www.amazon.com/P3-Measure-Gallon-Outdoor-Conserve/dp/B06XSNPMBS/ref=sr_1_31?dchild=1&keywords=nibco%2Bwater%2Bmonitoring%2Bdevice&qid=1635782090&qsid (Year: 2018).*

(Continued)

Primary Examiner — Keli L Hill

Assistant Examiner — Sara S Sahneh

(74) *Attorney, Agent, or Firm* — Price Heneveld LLP

(57) **CLAIM**

The ornamental design for a housing for water monitoring device, as shown and described.

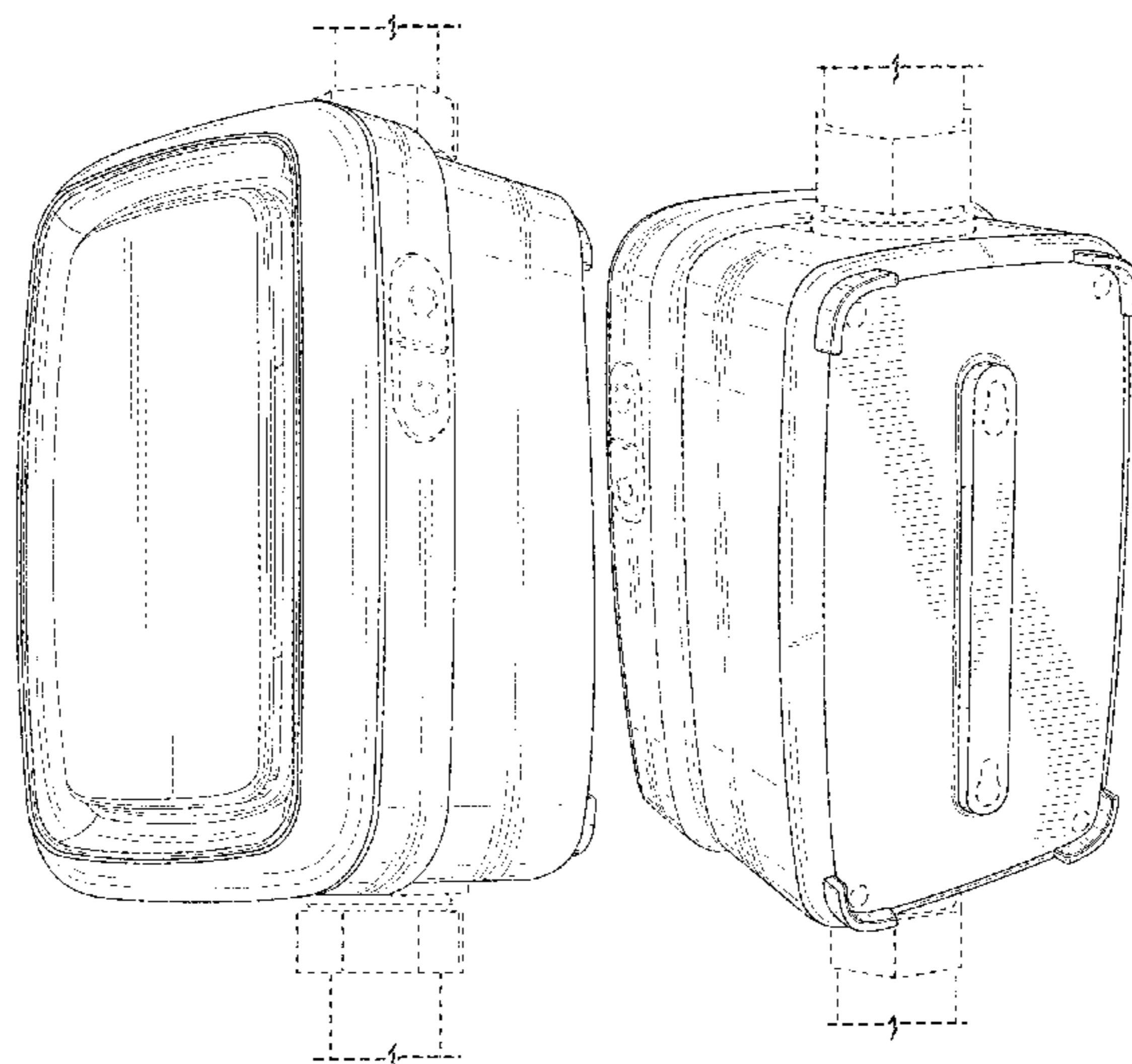
DESCRIPTION

FIG. 1 is a front side perspective view of a housing for a water monitoring device showing the claimed design; FIG. 2 is another front side perspective view thereof; FIG. 3 is a bottom front perspective view thereof; FIG. 4 a rear side perspective view thereof; FIG. 5 is a front view thereof; FIG. 6 is a rear view thereof; FIG. 7 is a side view thereof; FIG. 8 is another side view thereof; FIG. 9 is a top view thereof; and, FIG. 10 is a bottom view thereof.

The shade lines in the Figures show contour and not surface ornamentation.

The broken lines in the Figures show portions of the housing for water monitoring device and a conduit of indeterminate length, which form no part of the claimed design.

1 Claim, 10 Drawing Sheets



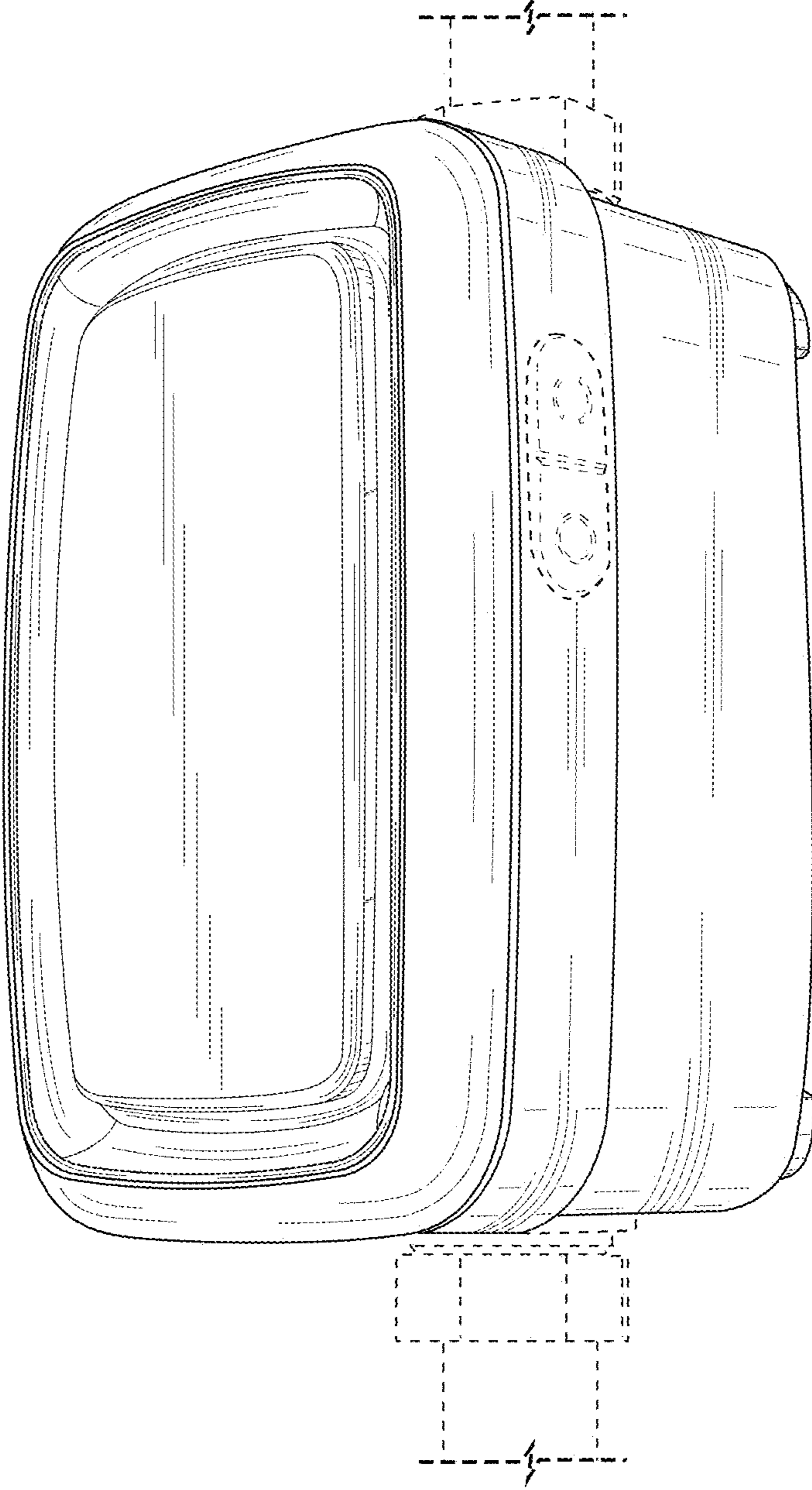


FIG. 1

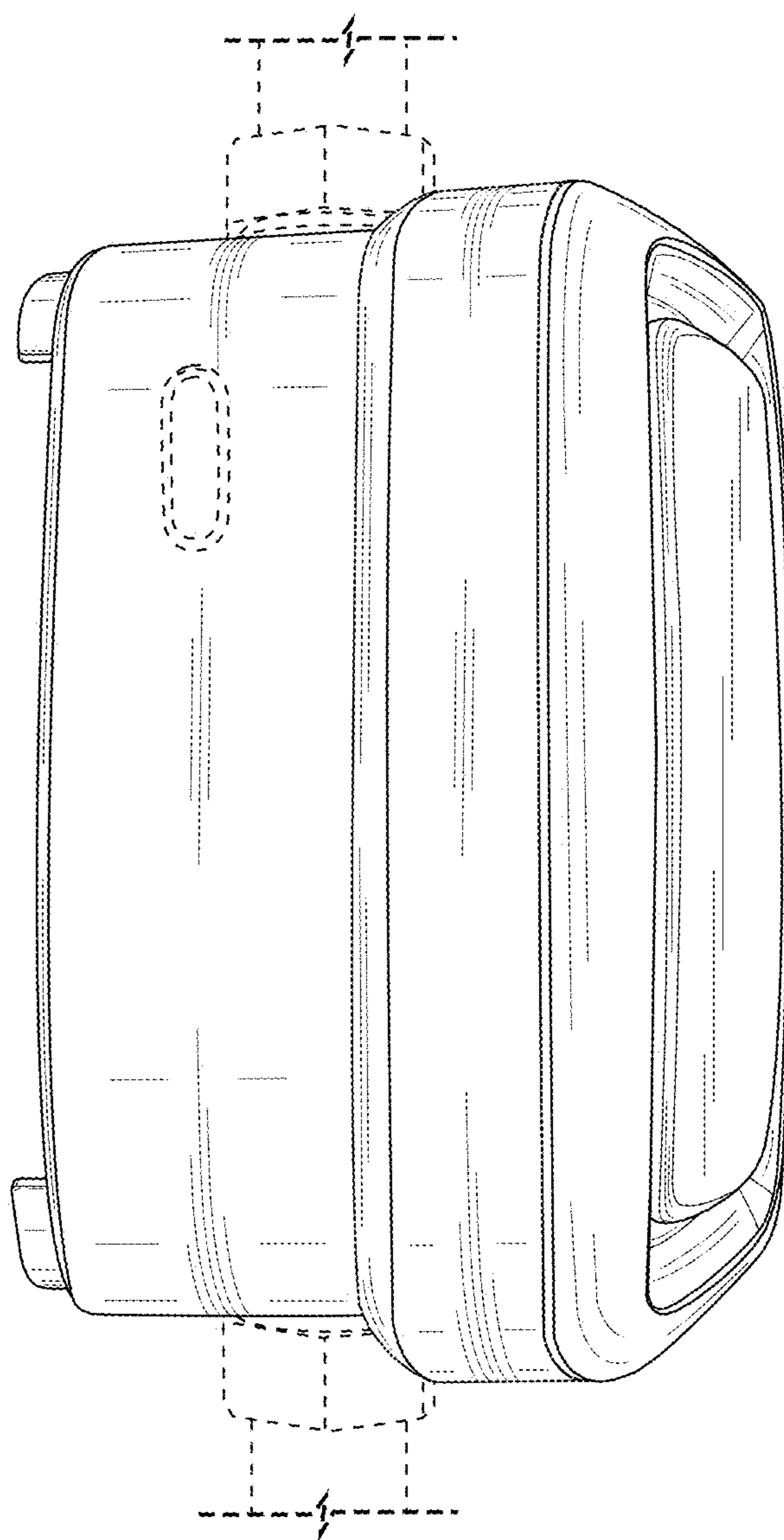


FIG. 2

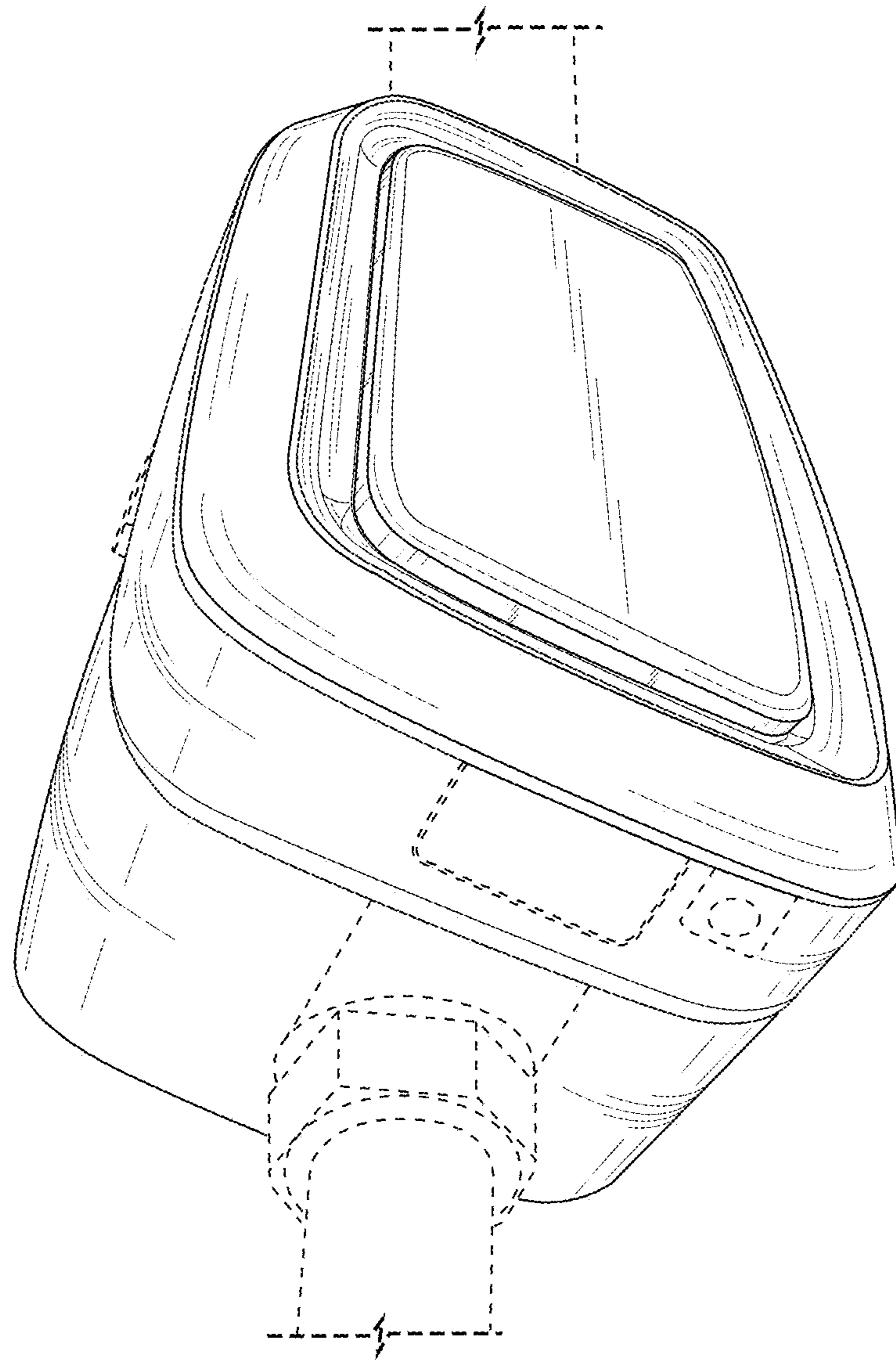


FIG. 3



FIG. 4

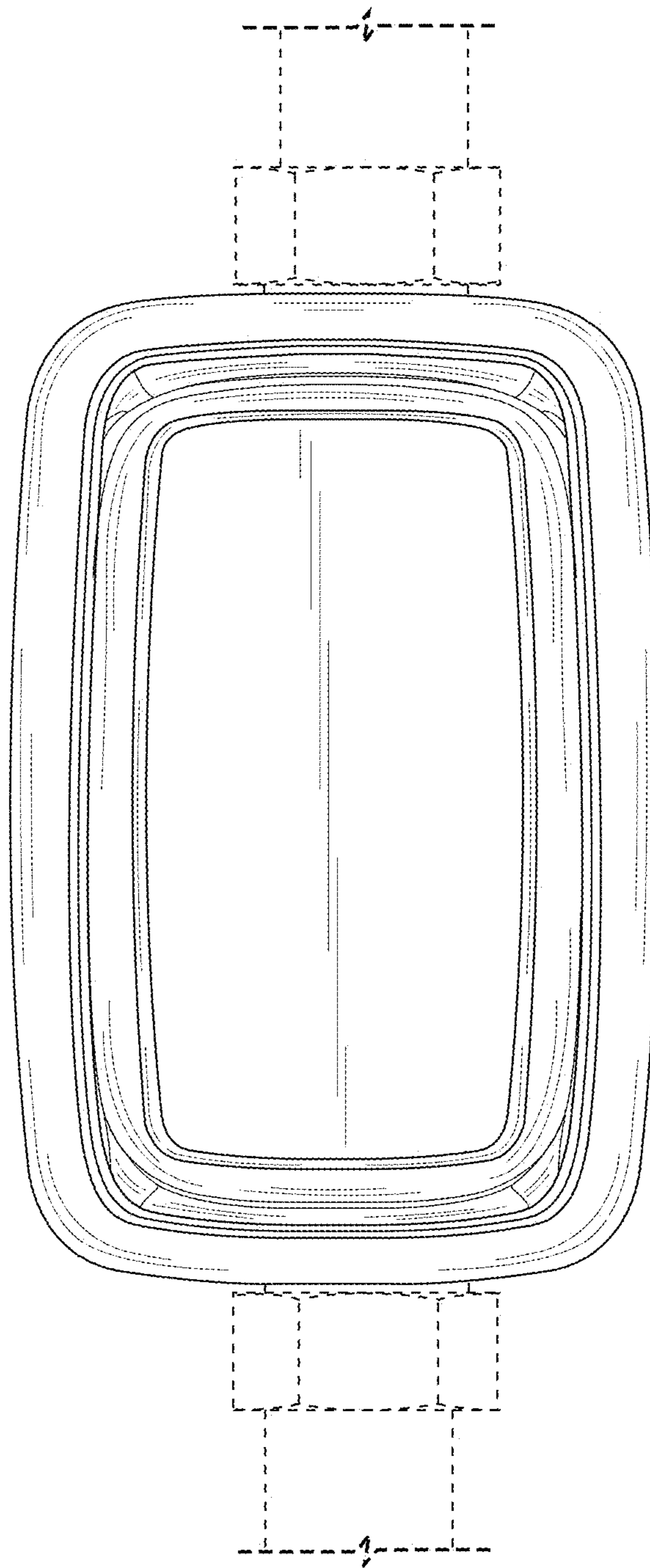


FIG. 5

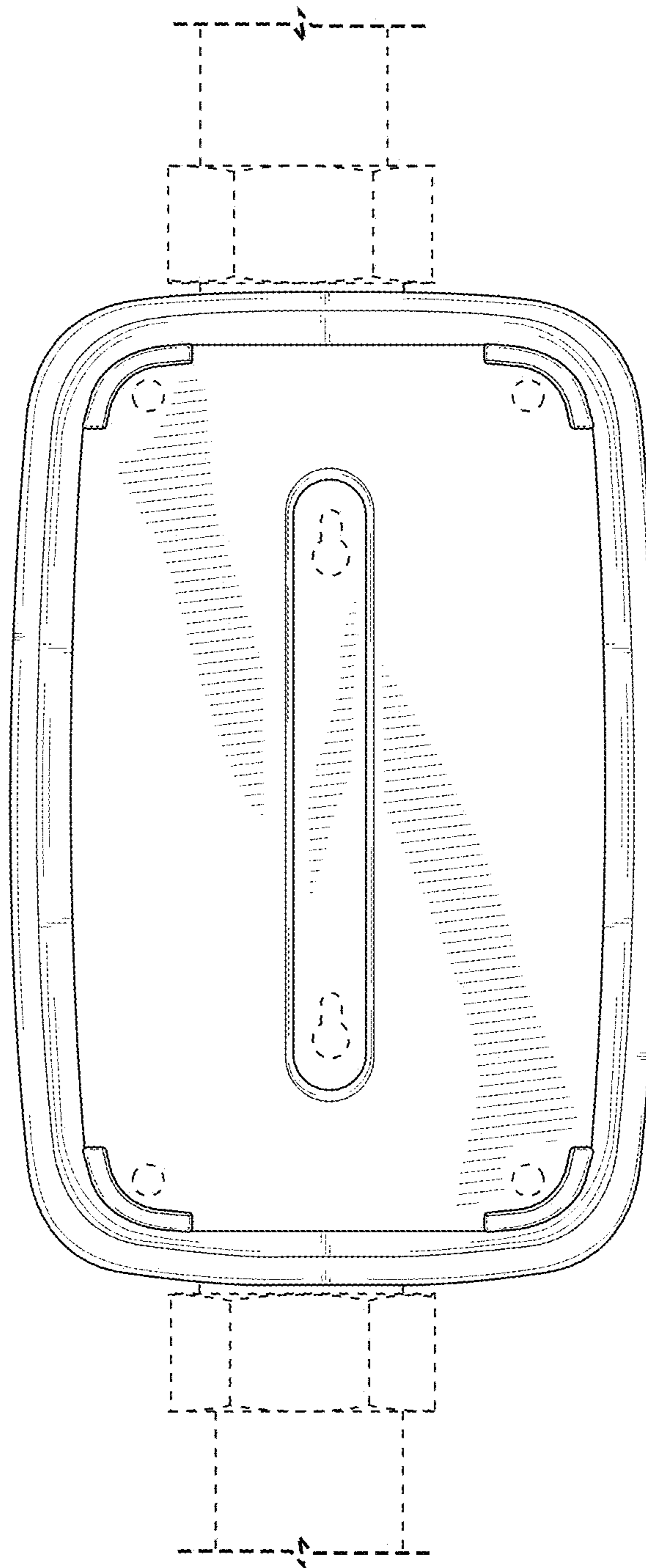


FIG. 6

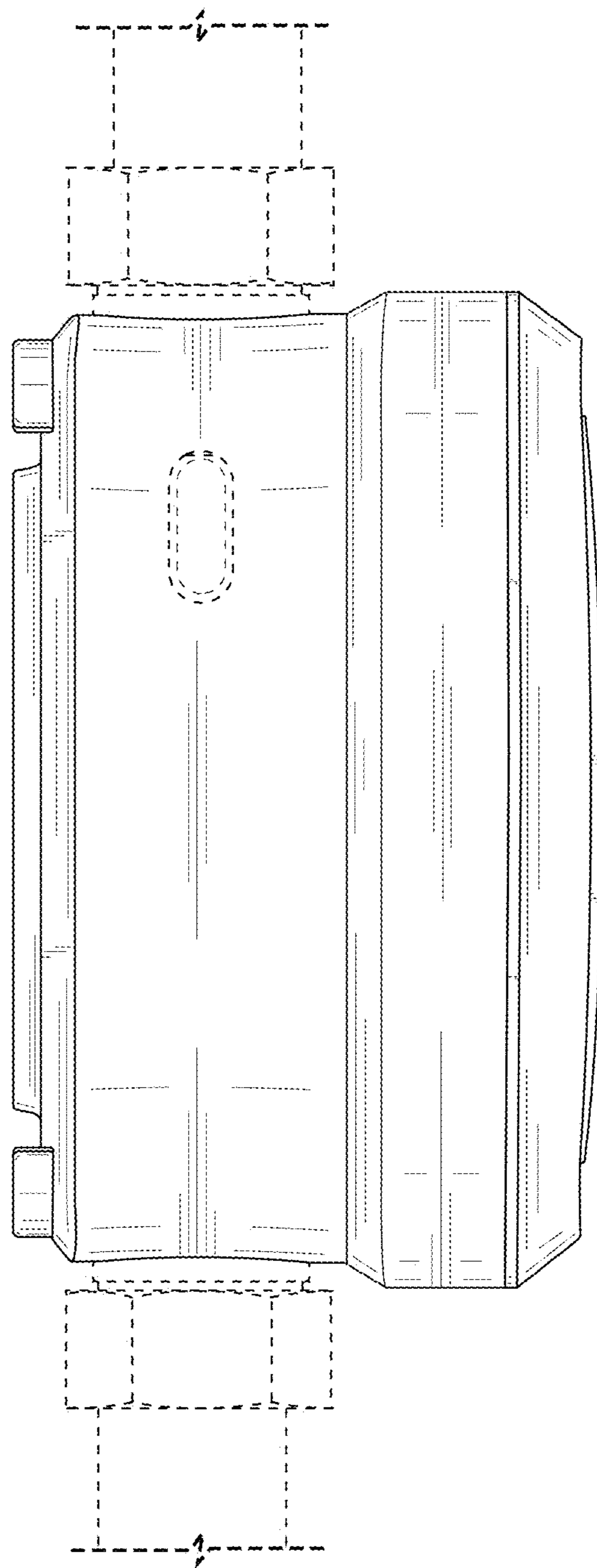


FIG. 7

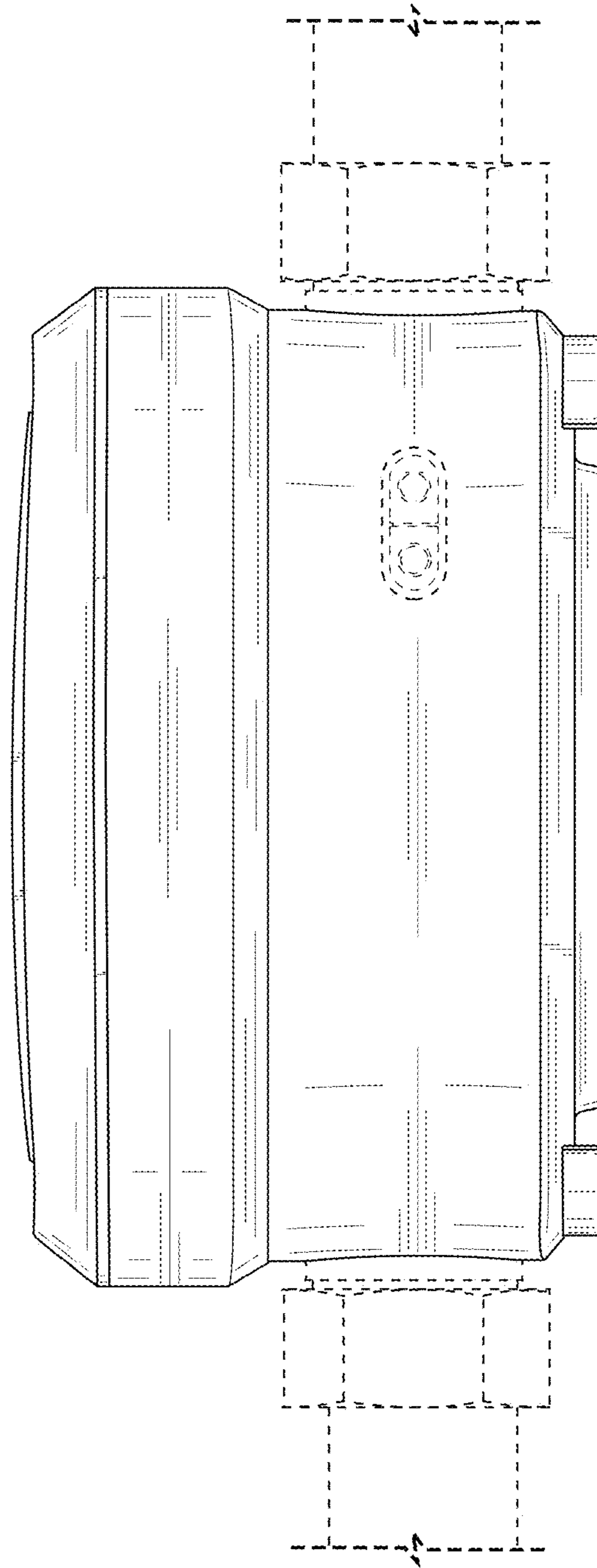


FIG. 8

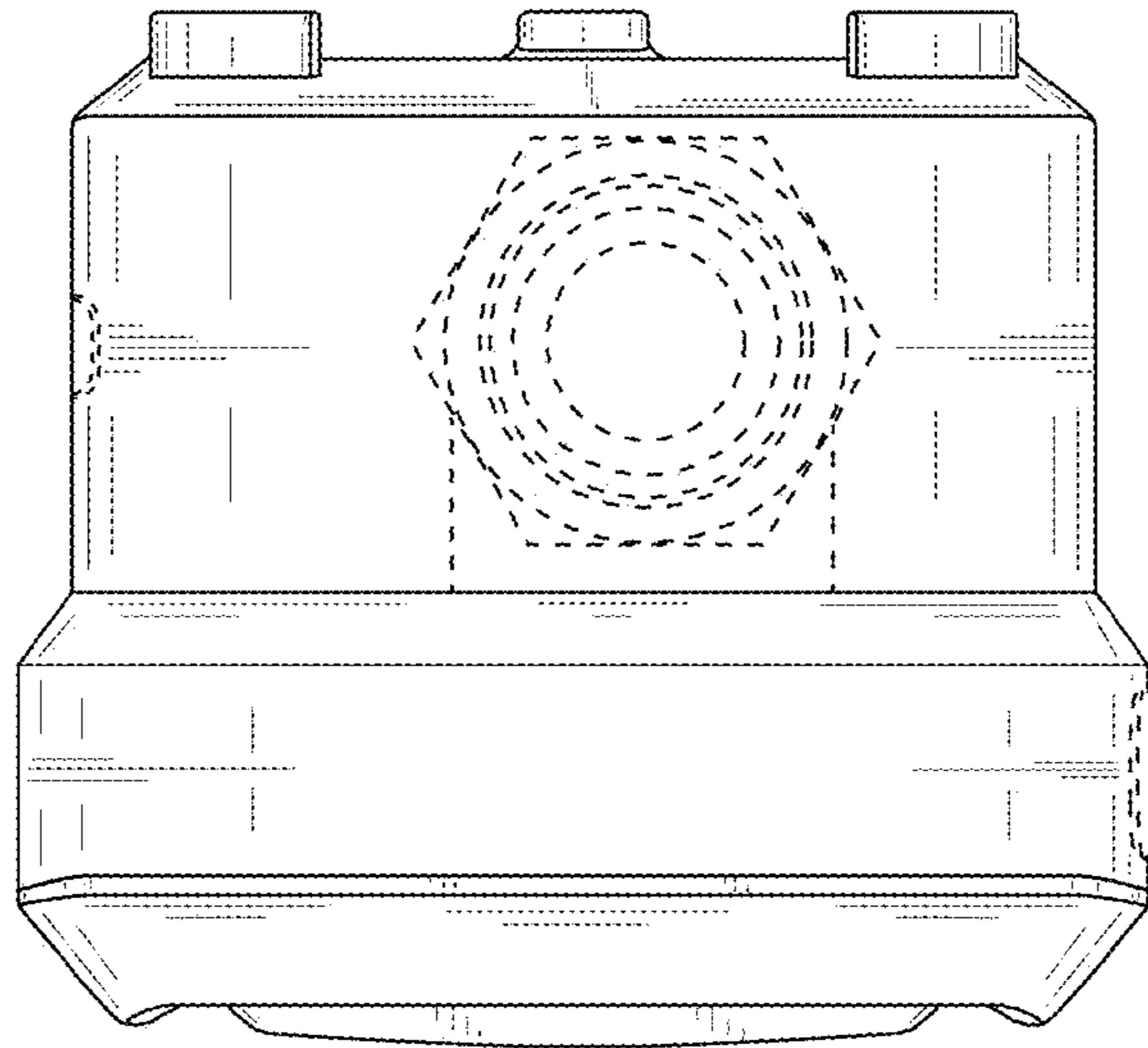


FIG. 9

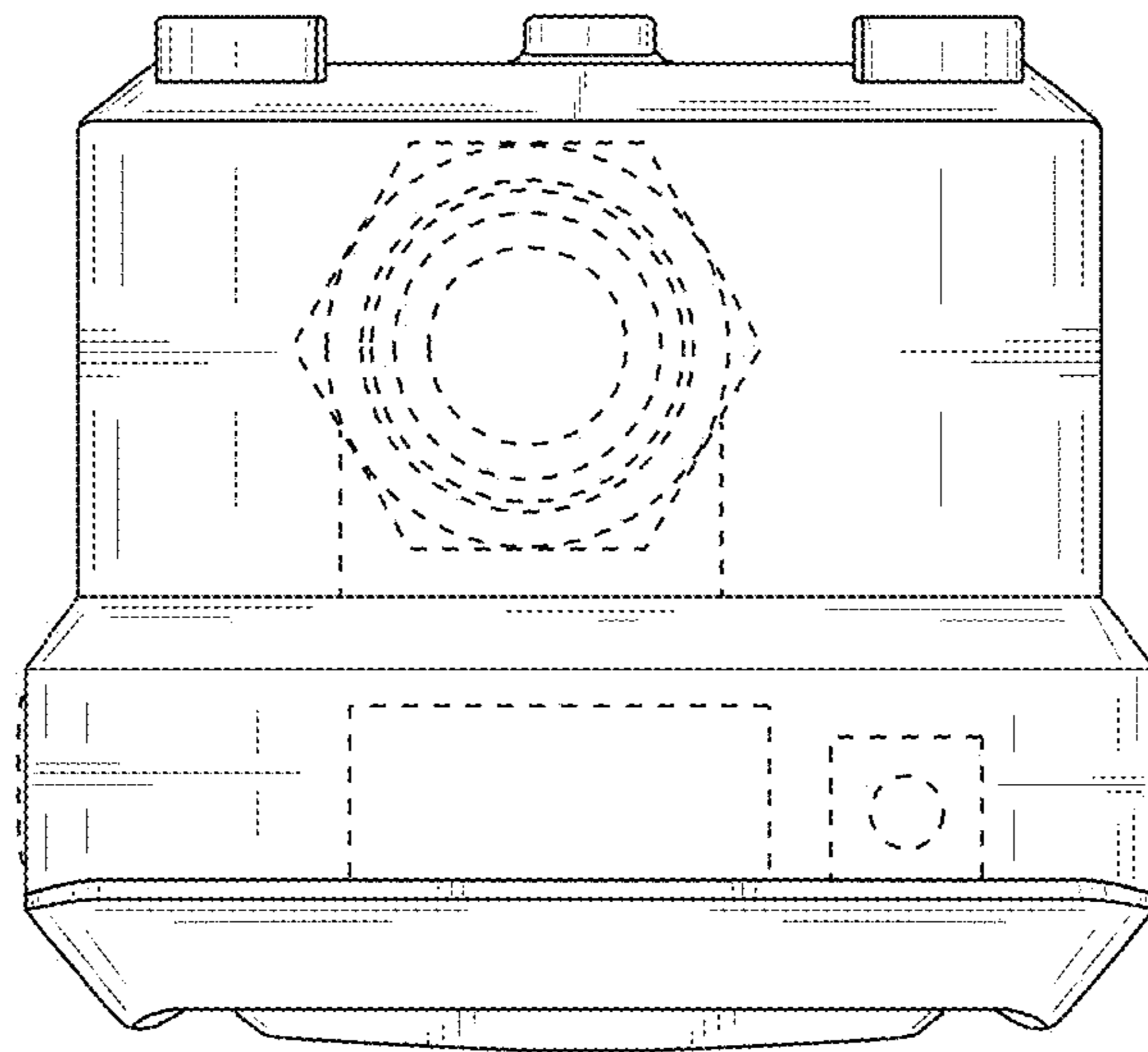


FIG. 10