



US00D947696S

(12) **United States Design Patent**  
**Hu**

(10) **Patent No.:** **US D947,696 S**

(45) **Date of Patent:** **\*\* Apr. 5, 2022**

(54) **ELECTRONIC SCALE**

(71) Applicant: **Dongguan Shengheng Electronics Co., Ltd.**, Dongguan (CN)

(72) Inventor: **Lianjian Hu**, Xinyang (CN)

(\*\*) Term: **15 Years**

(21) Appl. No.: **29/784,764**

(22) Filed: **May 21, 2021**

(51) **LOC (13) Cl.** ..... **10-04**

(52) **U.S. Cl.**  
USPC ..... **D10/91**

(58) **Field of Classification Search**  
USPC ..... D10/83-93  
CPC ..... G01G 21/28; G01G 21/00; G01G 19/414; G01G 19/4144; G01G 19/42; G01G 23/166; G01G 21/30; G01G 23/3728; G01G 23/3735; G01G 19/44; G01G 3/14; G01G 19/46; G01G 19/48; G01G 19/50; G01G 21/44; A61B 5/053; A61B 5/4872; A61B 5/0537; A61B 5/4869; A61B 5/6825; A61B 5/6829; A61B 5/7445; A61B 5/1072; G06Q 20/3678; G06Q 20/387; G06Q 20/065; G06Q 20/36; G06Q 20/06; G06Q 20/208; G09B 19/00; G16H 20/00; G16H 40/63; F16F 1/123  
See application file for complete search history.

(56) **References Cited**

**U.S. PATENT DOCUMENTS**

D499,972 S	*	12/2004	van de Wiel	.....	D10/92
D547,218 S	*	7/2007	Barnes	.....	D10/91
D550,574 S	*	9/2007	Barnes	.....	D10/91
D678,095 S	*	3/2013	Renner	.....	D10/91
D751,071 S	*	3/2016	Kurata	.....	D14/365
D865,552 S	*	11/2019	Ying	.....	D10/92
D884,527 S	*	5/2020	Yang	.....	D10/91
D893,329 S	*	8/2020	Yang	.....	D10/91
D900,813 S	*	11/2020	Akana	.....	D14/371
D918,077 S	*	5/2021	Zhang	.....	D10/91

D925,383 S	*	7/2021	Wu	.....	D10/92
D927,335 S	*	8/2021	Yu	.....	D10/91
D940,577 S	*	1/2022	Dai	.....	D10/91

**FOREIGN PATENT DOCUMENTS**

CN	306247982	*	8/2020
CN	306247983	*	8/2020
CN	306809121	*	5/2021

(Continued)

**OTHER PUBLICATIONS**

Suidreams Store, Food Scale, Date first available Aug. 7, 2021, [online]retrieved Jan. 21, 2022,available from [https://www.amazon.com/dp/B09C2XT9DD/ref=sspa\\_dk\\_detail\\_4?psc=1&pd\\_rd\\_w=nUQym&pf\\_rd\\_p=54ed5474-54a8-4c7f-a88a-45f748d18166&pd\\_rd\\_wg=yfRaF&pf\\_rd\\_r=31FBVW0V7KV4Y6W0H55N&pd\\_rd\\_r=f0f66565-3076-420f-\(Year: 2021\).](https://www.amazon.com/dp/B09C2XT9DD/ref=sspa_dk_detail_4?psc=1&pd_rd_w=nUQym&pf_rd_p=54ed5474-54a8-4c7f-a88a-45f748d18166&pd_rd_wg=yfRaF&pf_rd_r=31FBVW0V7KV4Y6W0H55N&pd_rd_r=f0f66565-3076-420f-(Year: 2021).)\*

(Continued)

*Primary Examiner* — Keli L Hill  
*Assistant Examiner* — Sara S Sahneh

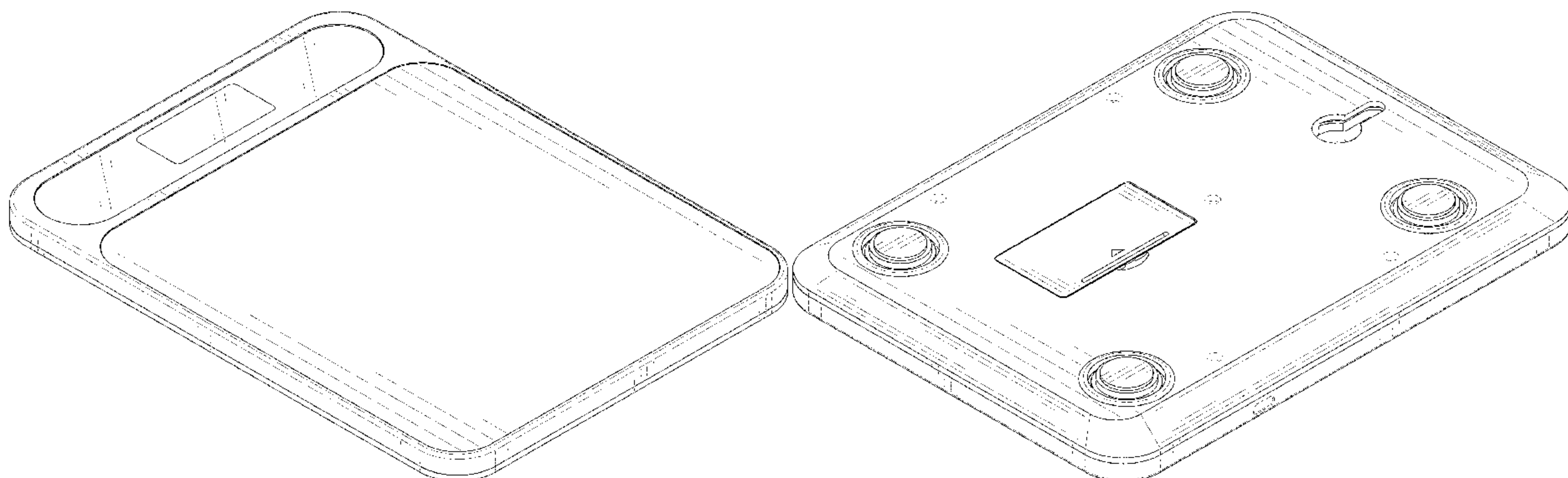
(57) **CLAIM**

The ornamental design for an electronic scale, as shown and described.

**DESCRIPTION**

FIG. 1 is a front and top perspective view of an electronic scale, showing my new design;  
FIG. 2 is a rear and bottom perspective view thereof;  
FIG. 3 is a front elevation view thereof;  
FIG. 4 is a rear elevation view thereof;  
FIG. 5 is a left side elevation view thereof;  
FIG. 6 is a right side elevation view thereof;  
FIG. 7 is a top plan view thereof; and,  
FIG. 8 is a bottom plan view thereof.  
The broken lines in the figures illustrate portions of the electronic scale that form no part of the claimed design.

**1 Claim, 8 Drawing Sheets**



(56)

**References Cited**

## FOREIGN PATENT DOCUMENTS

EM	008655401-0001	*	8/2021
GB	9004731719-0003	*	2/2018
GB	9008214027-0001	*	10/2020
KR	301136231.0000	*	9/2021

## OTHER PUBLICATIONS

Edousin, Food Scale, Date first available Jan. 25, 2021, [online]retrieved Jan. 21, 2022,available from [https://www.amazon.com/dp/B08TTCHPKX/ref=sspa\\_dk\\_detail\\_4?psc=1](https://www.amazon.com/dp/B08TTCHPKX/ref=sspa_dk_detail_4?psc=1) (Year: 2021).\*

Arboleaf Store, Food Scale, Date first available Nov. 4, 2021, [online]retrieved Jan. 21, 2022,available from [https://www.amazon.com/dp/B096MC3JHS/ref=sspa\\_dk\\_detail\\_9?psc=1p13NParams&spLa=ZW5jcnlwdGVkUXVhbGlmaWVyPUE3NUUxMUc4NFNEUk8mZW5jcnlwdGVkSWQ9QTazNjYxMzMyOUZBV1kzUVM5TzZcwJmVuY3J5cHRIZEFkSWQ9QTawNz](https://www.amazon.com/dp/B096MC3JHS/ref=sspa_dk_detail_9?psc=1p13NParams&spLa=ZW5jcnlwdGVkUXVhbGlmaWVyPUE3NUUxMUc4NFNEUk8mZW5jcnlwdGVkSWQ9QTazNjYxMzMyOUZBV1kzUVM5TzZcwJmVuY3J5cHRIZEFkSWQ9QTawNz) (Year: 2021).\*

Zibet Store, Digital Food Scale, Date first available Sep. 17, 2019, [online]retrieved Jan. 21, 2022,available from [https://www.amazon.com/Zibet-Rechargeable-Function-Stainless-Tempered/dp/B07XZKBSDJ/ref=sr\\_1\\_13?crid=VRC5NEWXWLHN&keywords=kitchen+scale&qid=1642702075&sprefix=kitchen](https://www.amazon.com/Zibet-Rechargeable-Function-Stainless-Tempered/dp/B07XZKBSDJ/ref=sr_1_13?crid=VRC5NEWXWLHN&keywords=kitchen+scale&qid=1642702075&sprefix=kitchen) (Year: 2019).\*

\* cited by examiner

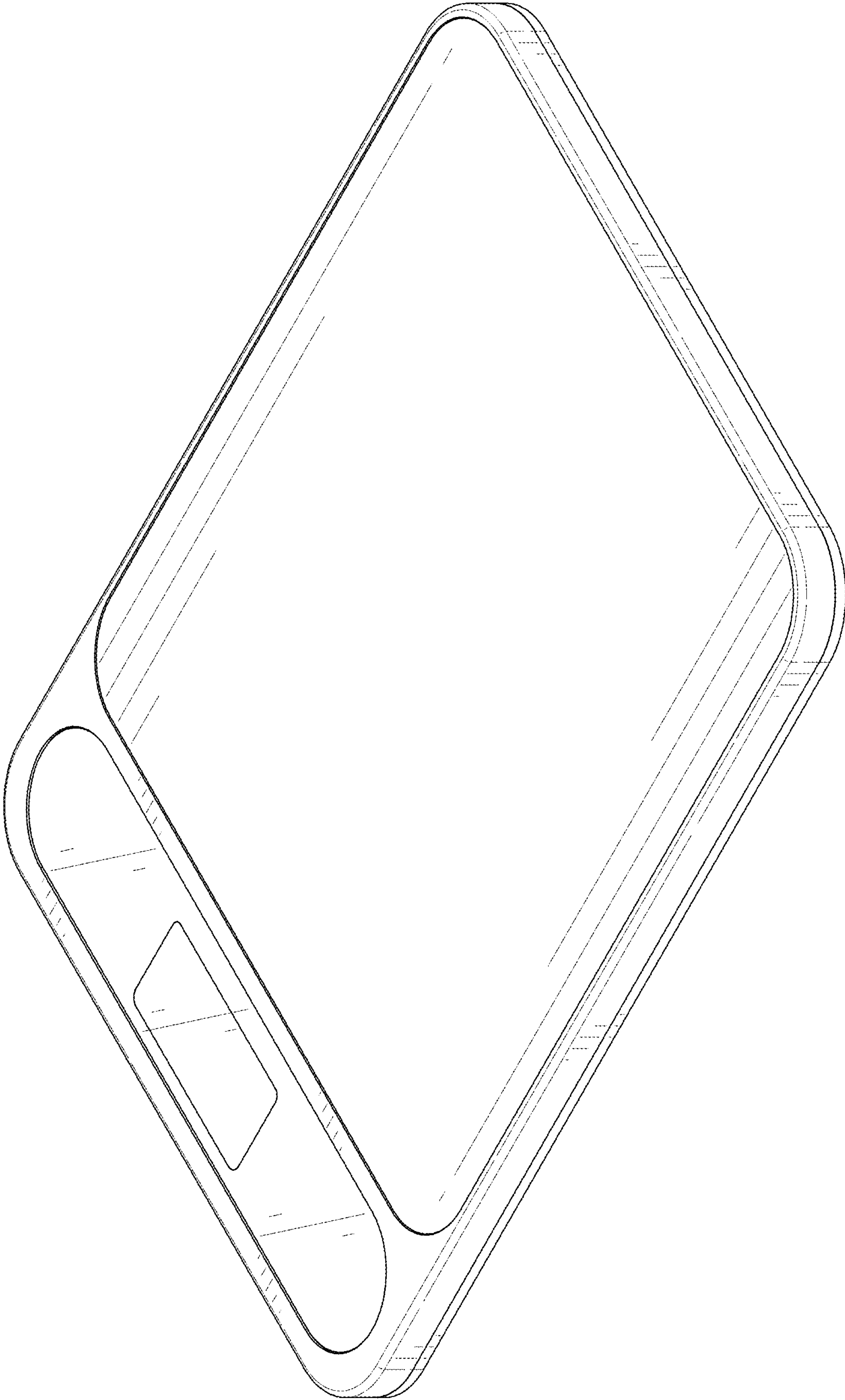


FIG. 1



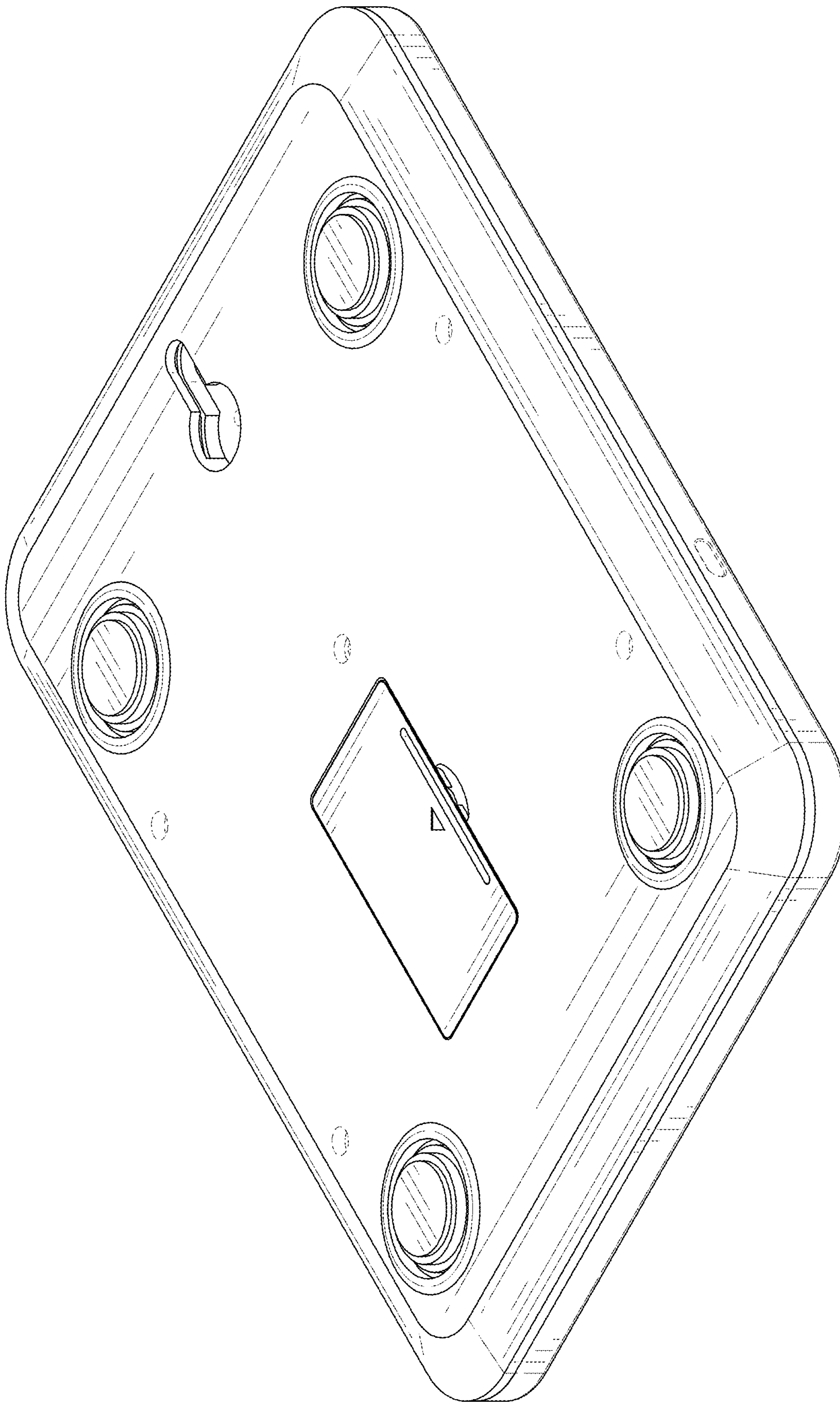


FIG. 2

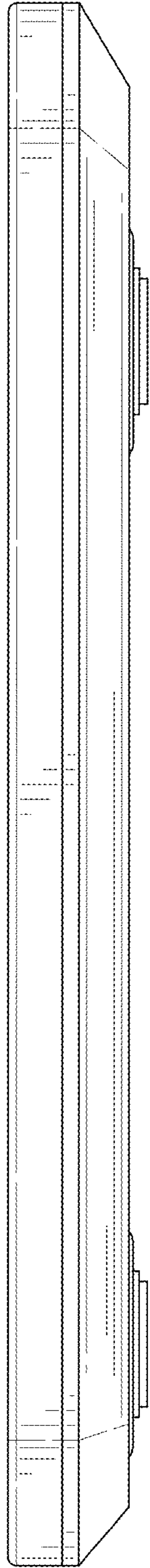


FIG. 3

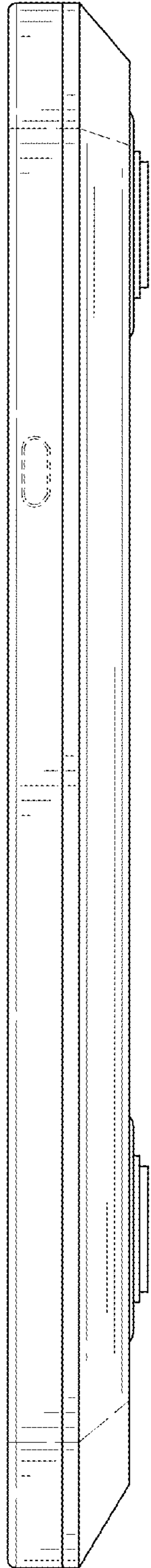


FIG. 4

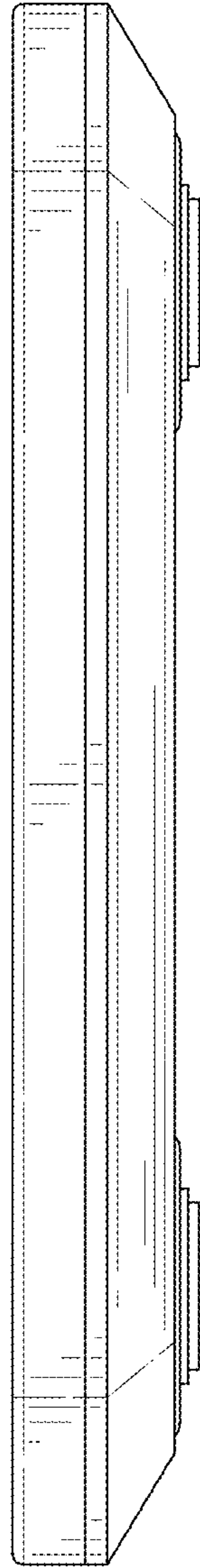


FIG. 5

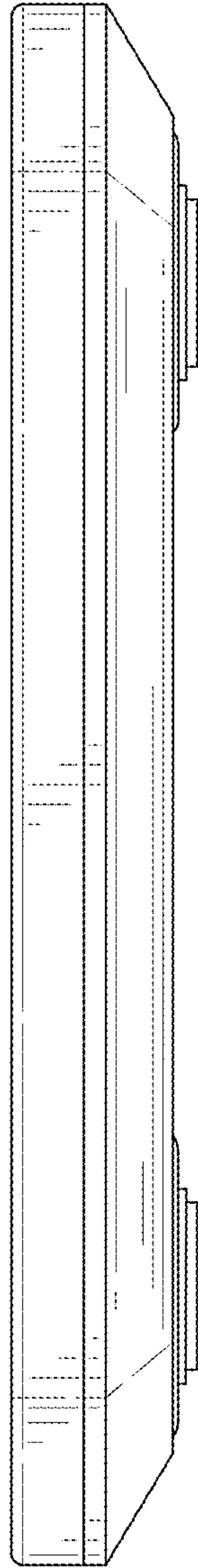


FIG. 6



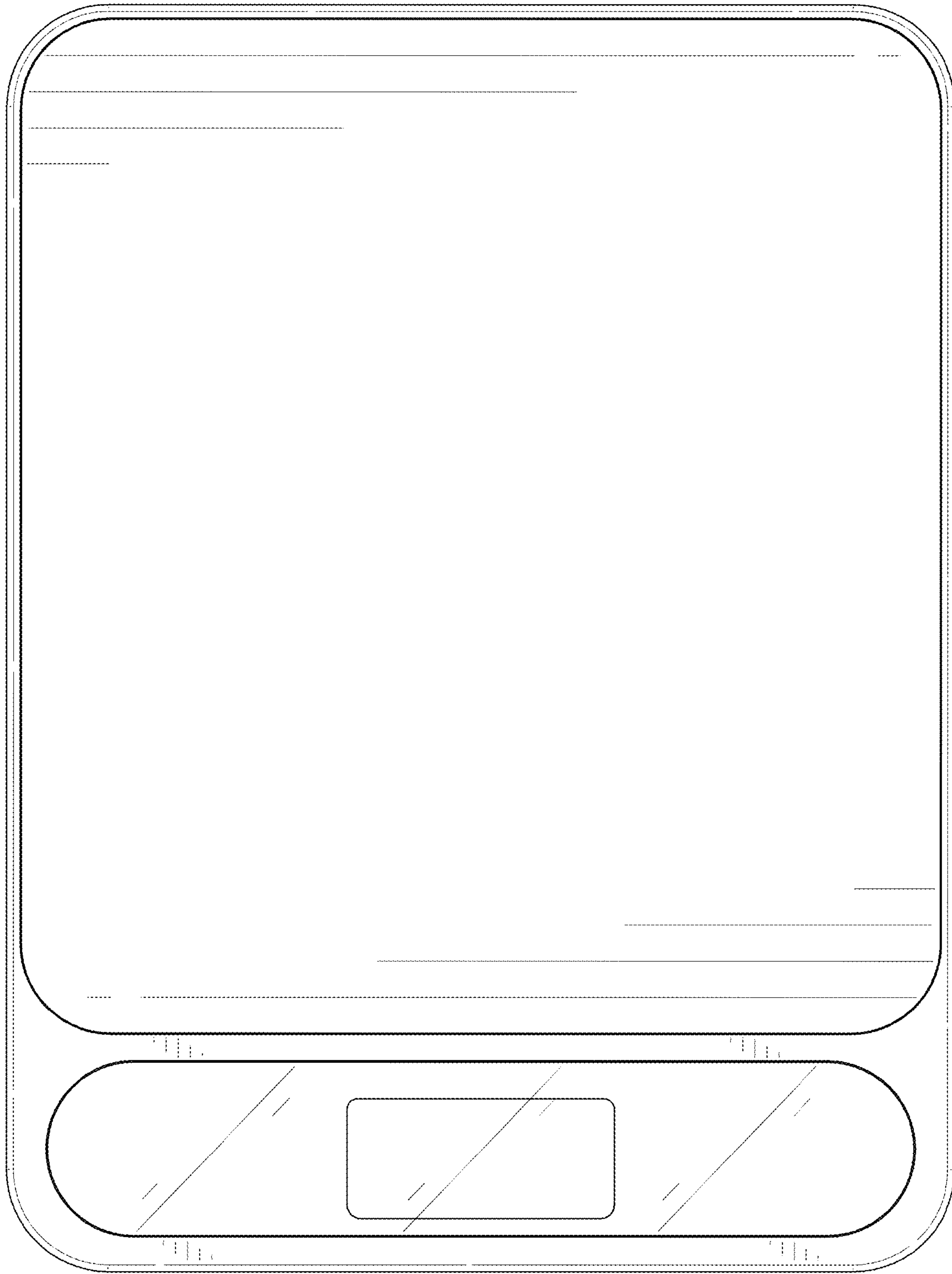


FIG. 7

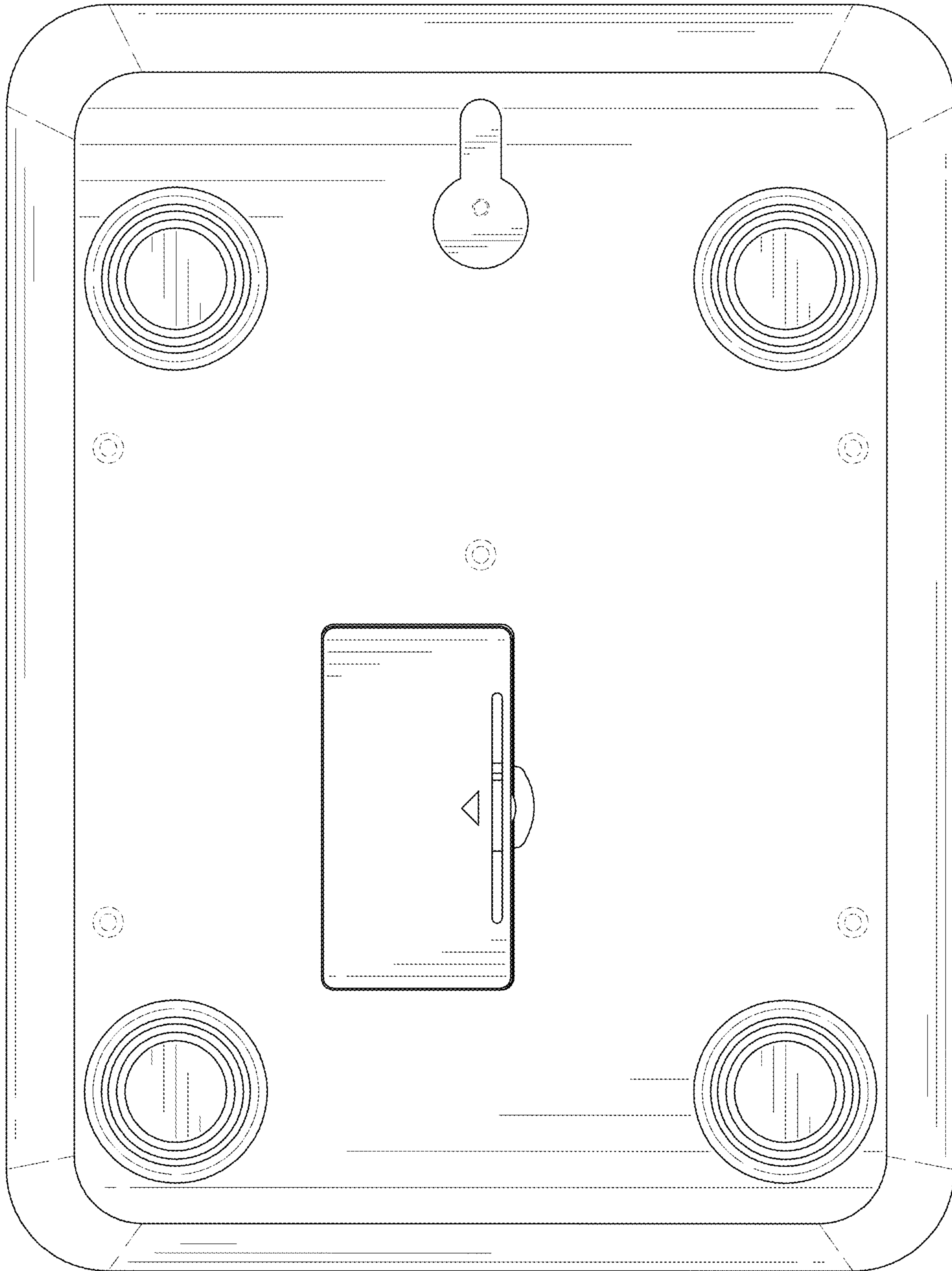


FIG. 8