



US00D947695S

(12) **United States Design Patent** (10) **Patent No.:** **US D947,695 S**
Beckwith et al. (45) **Date of Patent:** **** Apr. 5, 2022**

(54) **DIGITAL TIRE GAUGE**

FOREIGN PATENT DOCUMENTS

(71) Applicant: **JPJ INVESTMENT HOLDING CORP.**, Covina, CA (US)
(72) Inventors: **Jonathan S. Beckwith**, Raleigh, NC (US); **Roger Dale Hurley, Jr.**, Raleigh, NC (US); **Jimmy Shangyao Wei**, Morrisville, NC (US)
(73) Assignee: **OLYMPIA TOOLS INTERNATIONAL, INC.**, Covina, CA (US)

CN 302611642 * 10/2013
CN 302863740 * 11/2013
CN 304166435 * 12/2016
CN 304793358 * 4/2018
CN 305008762 * 6/2018

(Continued)

(**) Term: **15 Years**

OTHER PUBLICATIONS

(21) Appl. No.: **29/719,456**

AstroAI Store, Digital Tire Pressure Gauge, Date first available Aug. 3, 2016, [online]retrieved Nov. 15, 2021,available from https://www.amazon.com/AstroAI-Digital-Pressure-Settings-Non-Slip/dp/B01J8DLGU2/ref=sr_1_5?keywords=tire+gauge&qid=1636984815&qsid=134-5564337-2927451&sr=8-5&sres=B01J8DLGU2%2CB07 (Year: 2016).*

(Continued)

(22) Filed: **Jan. 3, 2020**

Primary Examiner — Keli L Hill

(51) **LOC (13) Cl.** **10-04**

Assistant Examiner — Sara S Sahneh

(52) **U.S. Cl.**
USPC **D10/86**

(74) *Attorney, Agent, or Firm* — Patterson + Sheridan, LLP

(58) **Field of Classification Search**
USPC D10/81–86, 94–103, 57
CPC B60C 23/04; B60C 23/02; G01L 17/00;
G01L 19/142; G01L 19/16; G01L 7/043;
G01B 5/18; G01B 3/28

(57) **CLAIM**

The ornamental design for a digital tire gauge, as shown and described.

See application file for complete search history.

DESCRIPTION

(56) **References Cited**

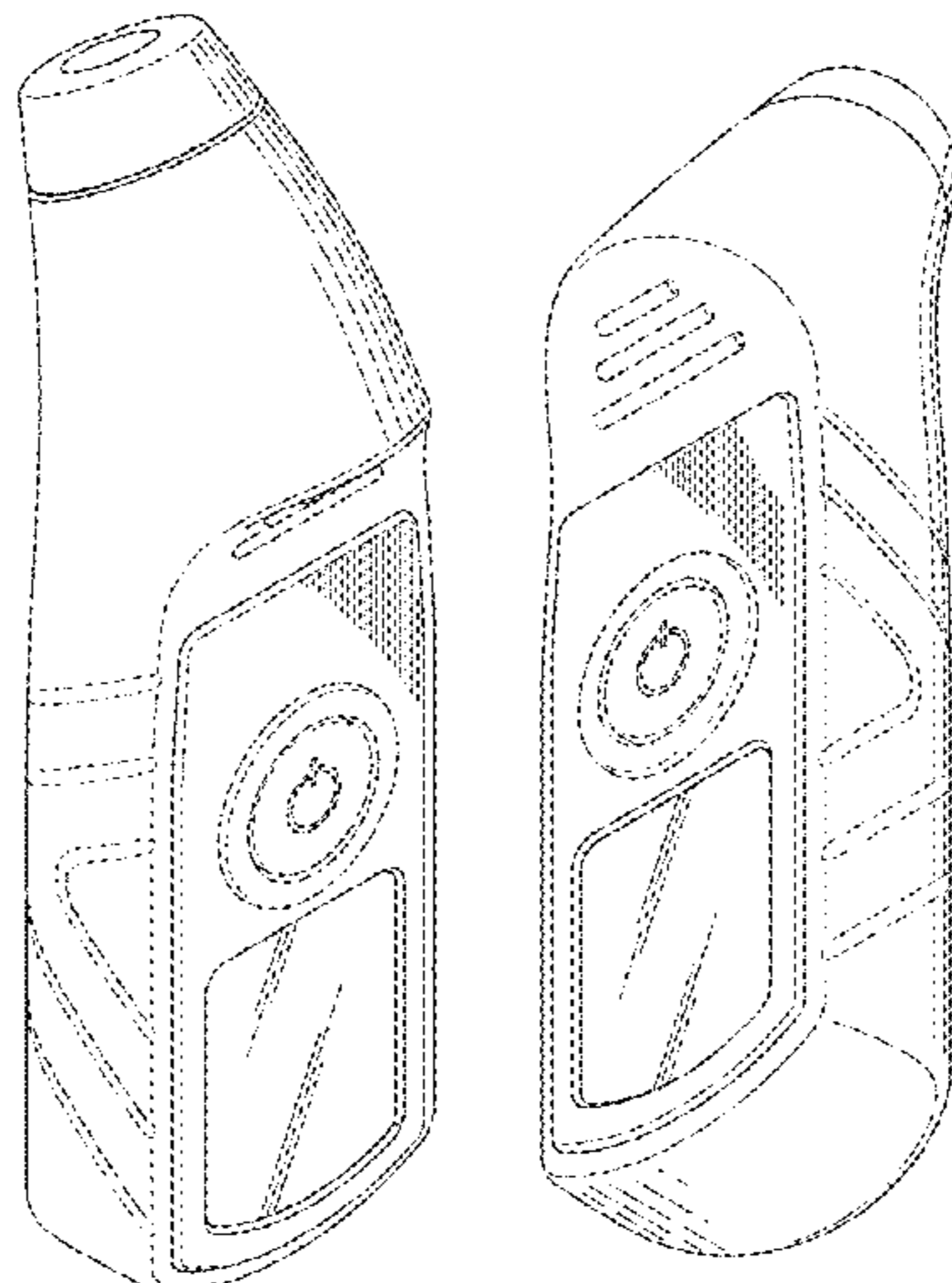
U.S. PATENT DOCUMENTS

D455,361 S * 4/2002 Super D10/86
D503,898 S * 4/2005 Durr D10/86
D522,894 S * 6/2006 Stowers et al.
D579,362 S * 10/2008 Stowers D10/86
D603,733 S * 11/2009 Stowers D10/86
D631,768 S * 2/2011 Petrucelli D10/86
D642,946 S * 8/2011 Chen D10/86
D686,517 S * 7/2013 Chen D10/86
D922,886 S * 6/2021 Cao D10/57
D931,742 S * 9/2021 Dai D10/57
2004/0088135 A1 * 5/2004 Fujioka G01L 17/00
702/138

FIG. 1 is a top left front perspective view of a digital tire gauge showing our new design;
FIG. 2 is a top right rear perspective view thereof;
FIG. 3 is a bottom left front perspective view thereof;
FIG. 4 is a bottom right rear perspective view thereof;
FIG. 5 is a top plan view thereof;
FIG. 6 is a left elevational view thereof;
FIG. 7 is a bottom plan view thereof;
FIG. 8 is a right elevational view thereof;
FIG. 9 is a front elevational view thereof; and,
FIG. 10 is a rear elevational view thereof.
The portions of the digital tire gauge shown in broken lines form no part of the claimed design.

(Continued)

1 Claim, 9 Drawing Sheets



(56)

References Cited

U.S. PATENT DOCUMENTS

2005/0138999 A1* 6/2005 Petrucelli G01L 17/00
73/146
2009/0107229 A1* 4/2009 Bucknell G01L 17/00
73/146.8
2010/0307232 A1* 12/2010 Petrucelli G01L 17/00
73/146.8

FOREIGN PATENT DOCUMENTS

CN 306693969 * 7/2021
EM 003830132-0001 * 3/2017

OTHER PUBLICATIONS

EPAuto Store, Digital Tire Pressure Gauge, Date first available Jan. 18, 2019, [online]retrieved Nov. 15, 2021, available from <https://>

[www.amazon.com/EPAuto-Digital-Tire-Pressure-Gauge/dp/B07MXRH RP5/ref=sr_1_17_sspa?keywords=tire%2Bgauge&qid=1636984815&sr=8-17-spons&spLa=ZW5jenlwdGVkUXVhbGlmaWVyPUExTFQ2RDQ \(Year: 2019\).*](https://www.amazon.com/EPAuto-Digital-Tire-Pressure-Gauge/dp/B07MXRH RP5/ref=sr_1_17_sspa?keywords=tire%2Bgauge&qid=1636984815&sr=8-17-spons&spLa=ZW5jenlwdGVkUXVhbGlmaWVyPUExTFQ2RDQ (Year: 2019).*)
EXELAIR Store, Digital Tire Gauge, Date first available Jun. 7, 2016, [online]retrieved Nov. 15, 2021, available from [https://www.amazon.com/dp/B01GQ7KEQU/ref=sspa_dk_detail_1?psc=1&pd_rd_w=MciUJ&pf_rd_p=9fd3ea7c-b77c-42ac-b43b-c872d3f37c38&pd_rd_wg=utX8m&pf_rd_r=81BBRNJ26WBN7DZ88W6A&pd_rd_r=a5846246-e357-4 \(Year: 2016\).*](https://www.amazon.com/dp/B01GQ7KEQU/ref=sspa_dk_detail_1?psc=1&pd_rd_w=MciUJ&pf_rd_p=9fd3ea7c-b77c-42ac-b43b-c872d3f37c38&pd_rd_wg=utX8m&pf_rd_r=81BBRNJ26WBN7DZ88W6A&pd_rd_r=a5846246-e357-4 (Year: 2016).*)
AstroAI Store, Digital Tire Pressure Gauge, Date first available Aug. 7, 2018, [online]retrieved Nov. 15, 2021, available from [https://www.amazon.com/dp/B07D6MRN51/ref=sspa_dk_detail_3?psc=1&pd_rd_w=pqfEP&pf_rd_p=54ed5474-54a8-4c7f-a88a-45f748d18166&pd_rd_wg=MLTNH&pf_rd_r=FKTYFNQGG1M6T4YM6WH4&pd_rd_r=a5355 \(Year: 2018\).*](https://www.amazon.com/dp/B07D6MRN51/ref=sspa_dk_detail_3?psc=1&pd_rd_w=pqfEP&pf_rd_p=54ed5474-54a8-4c7f-a88a-45f748d18166&pd_rd_wg=MLTNH&pf_rd_r=FKTYFNQGG1M6T4YM6WH4&pd_rd_r=a5355 (Year: 2018).*)

* cited by examiner

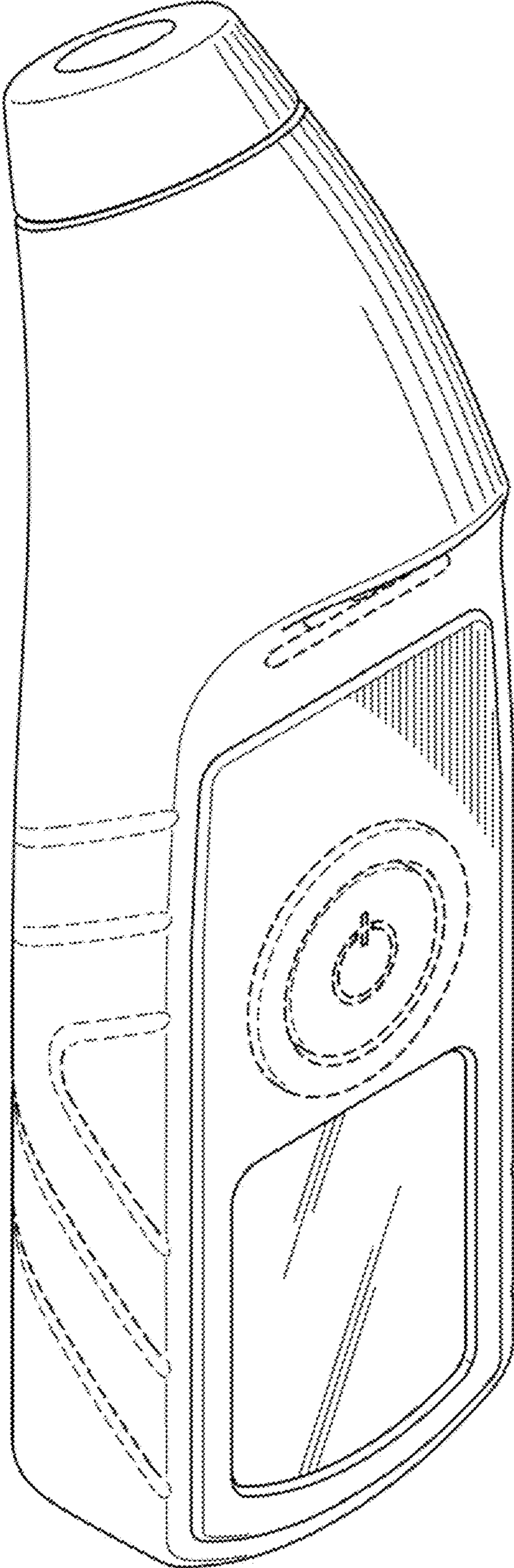


Fig. 1

Fig. 2

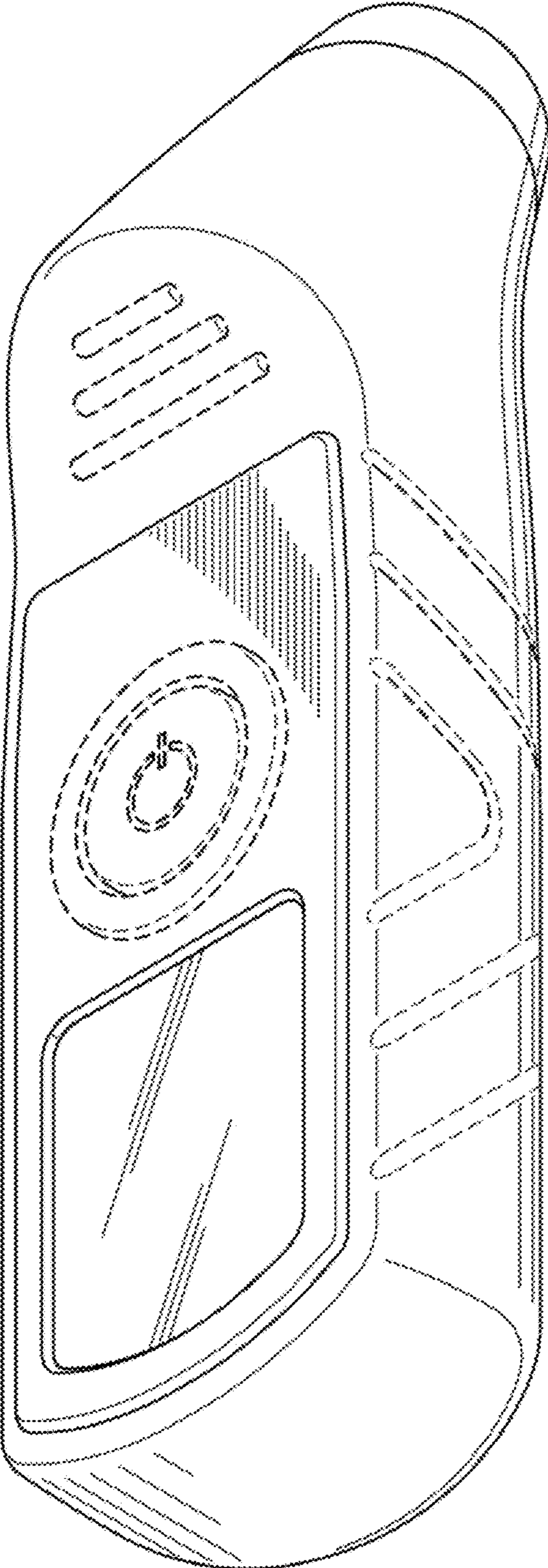


Fig. 3

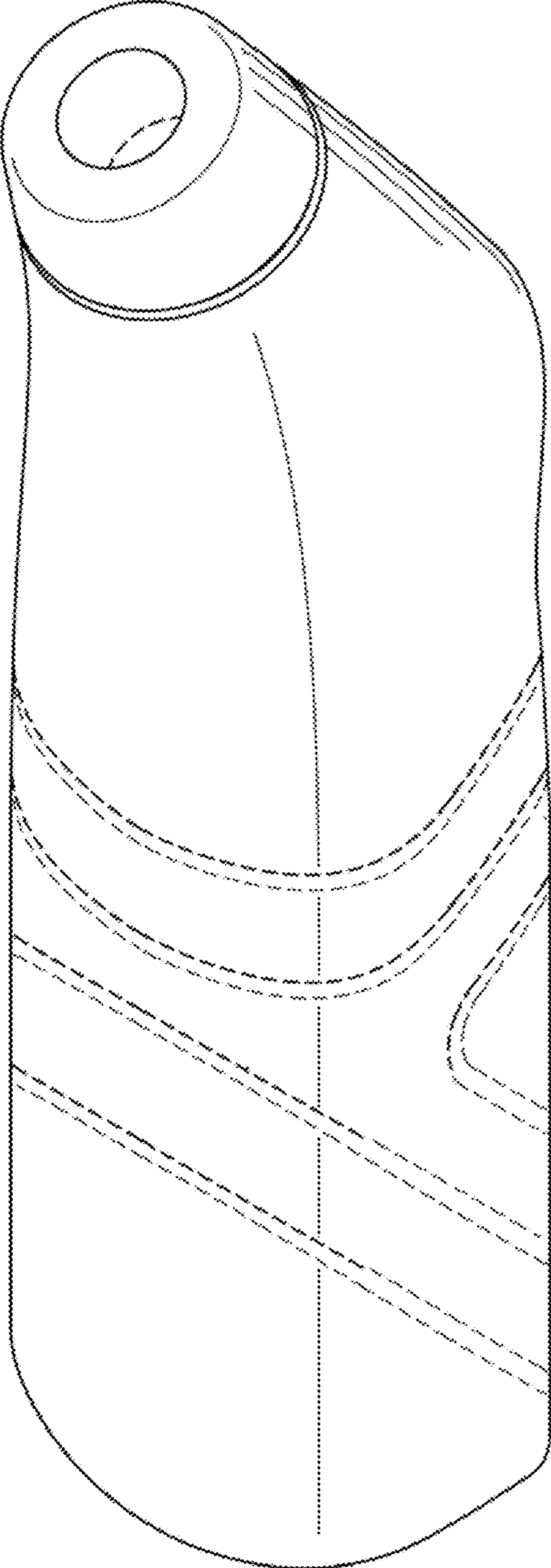


Fig. 4

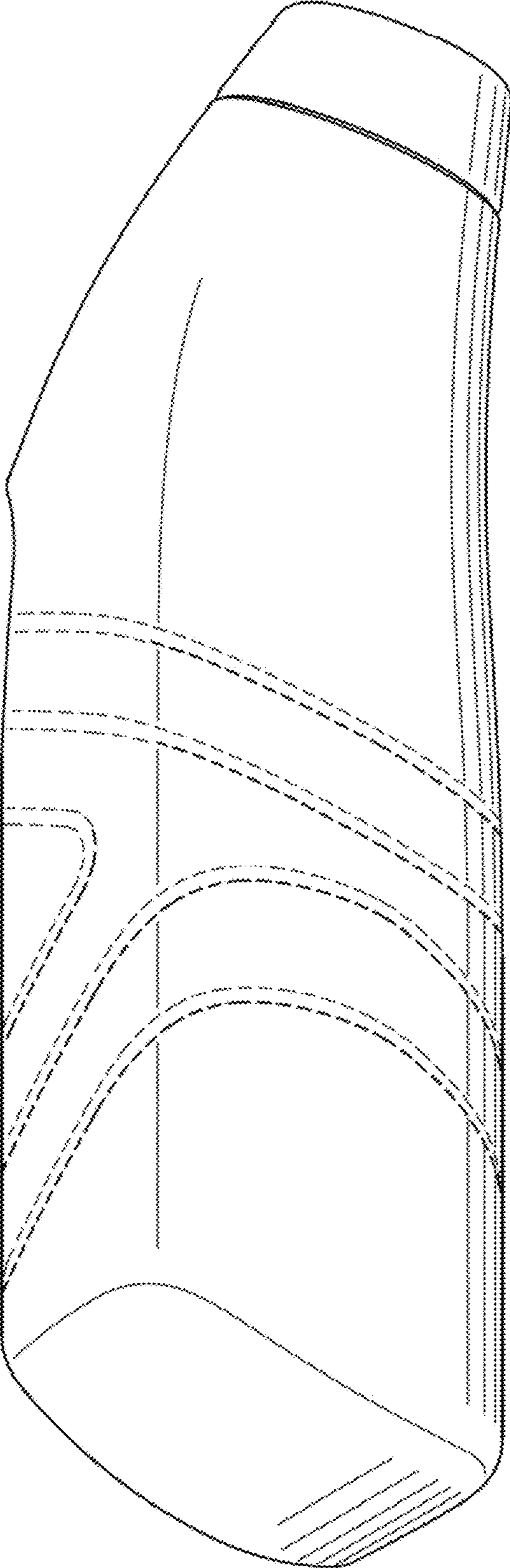
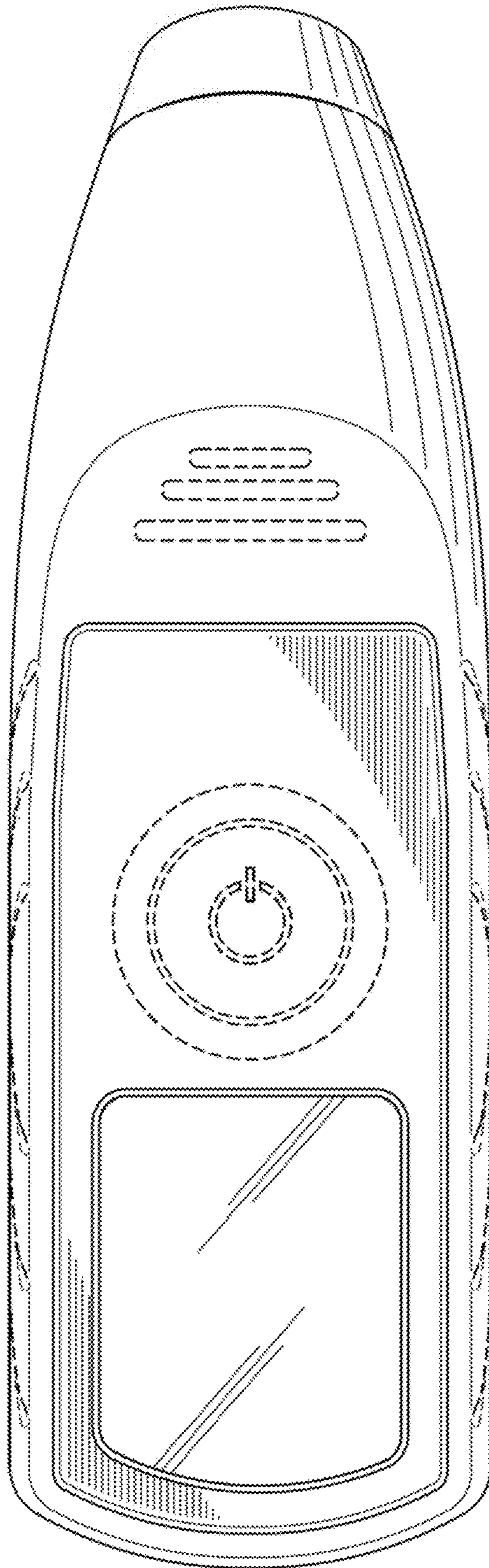


Fig. 5



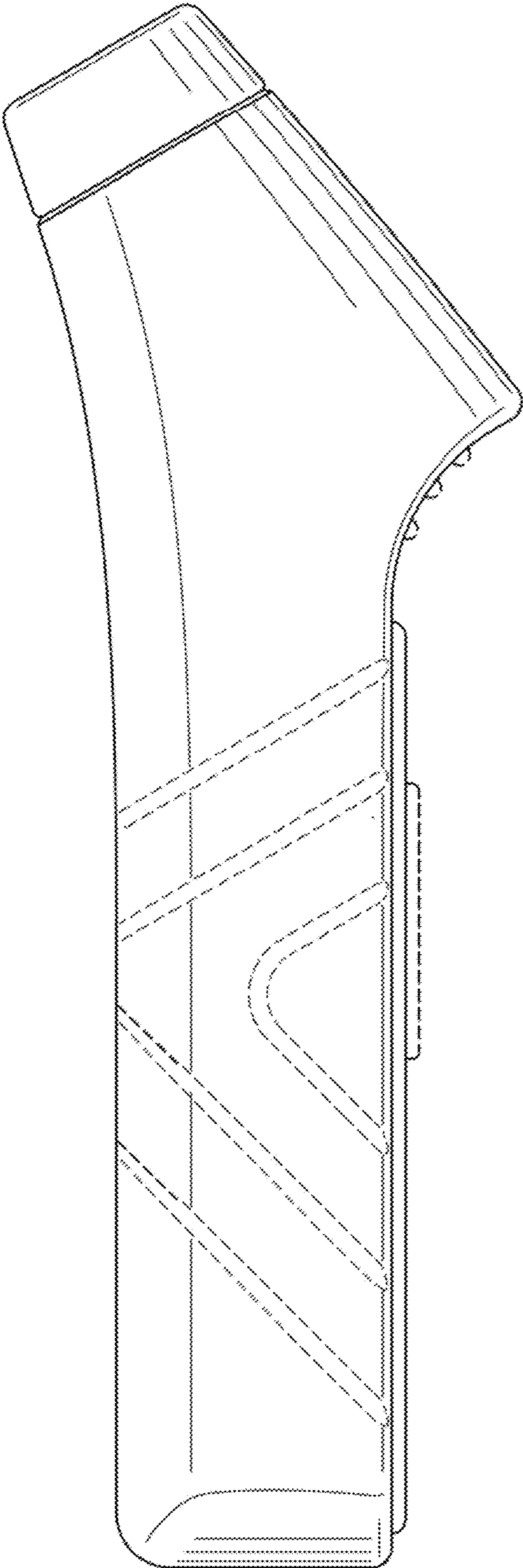


Fig. 6

Fig. 7

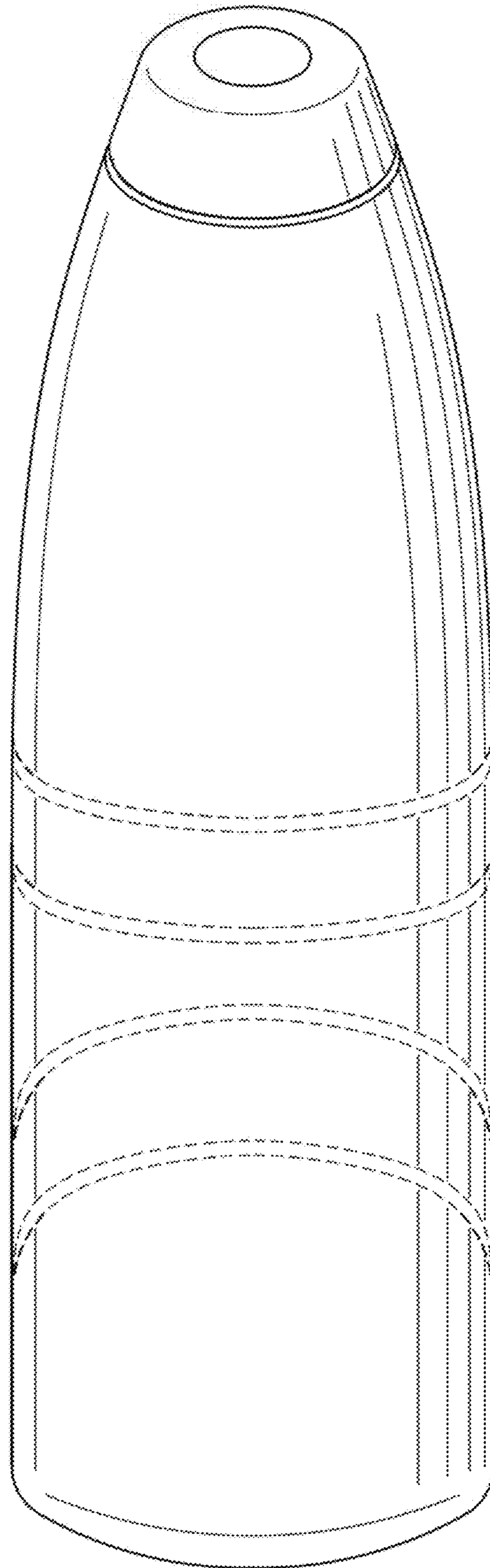
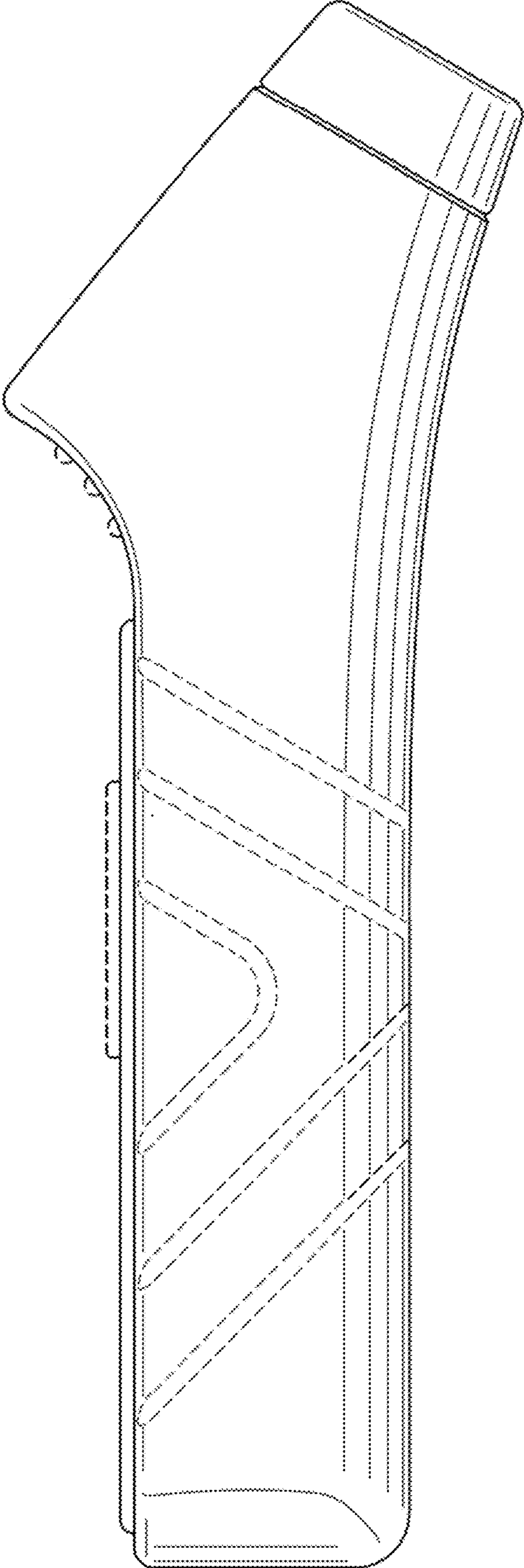


Fig. 8



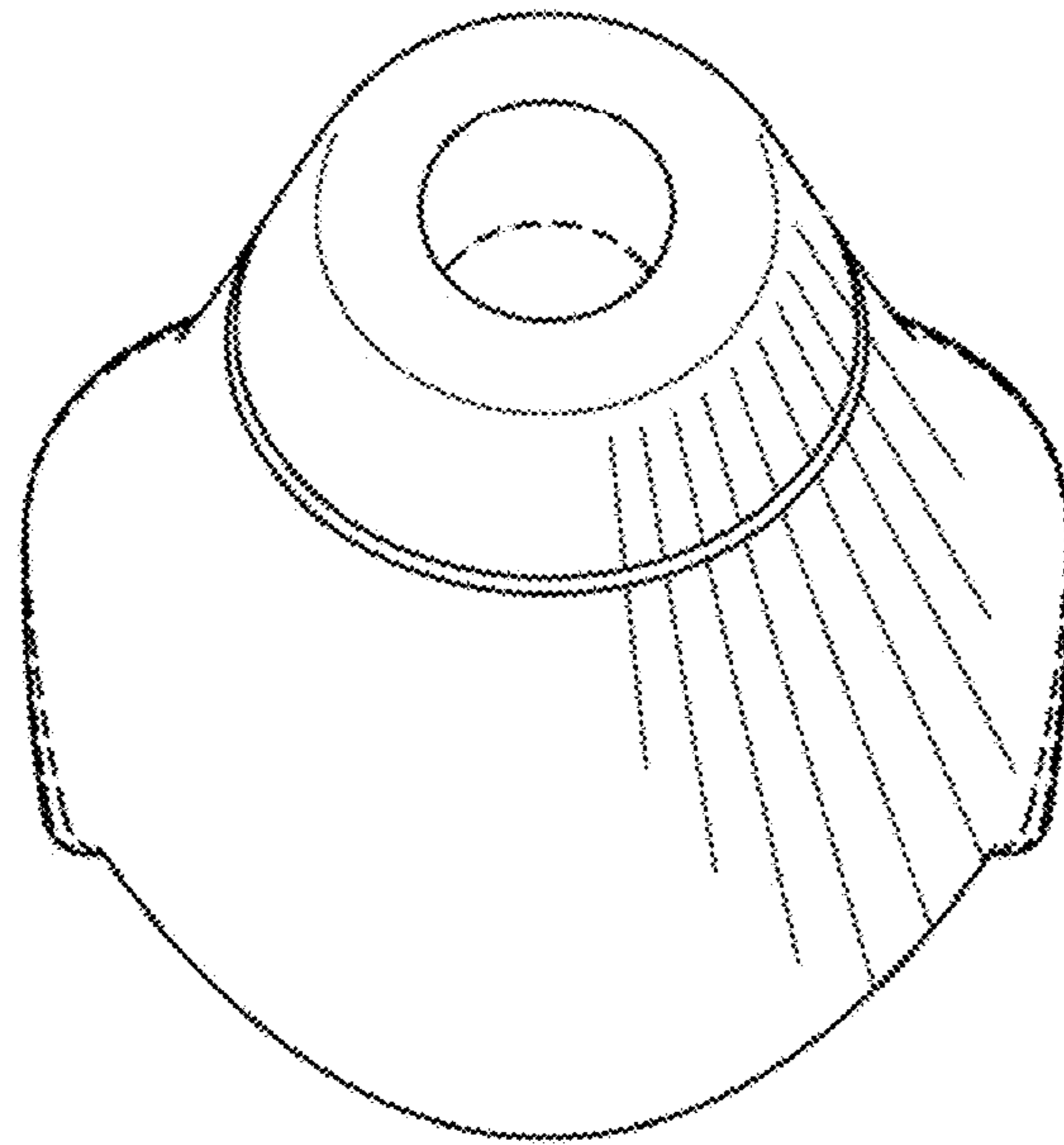


Fig. 9

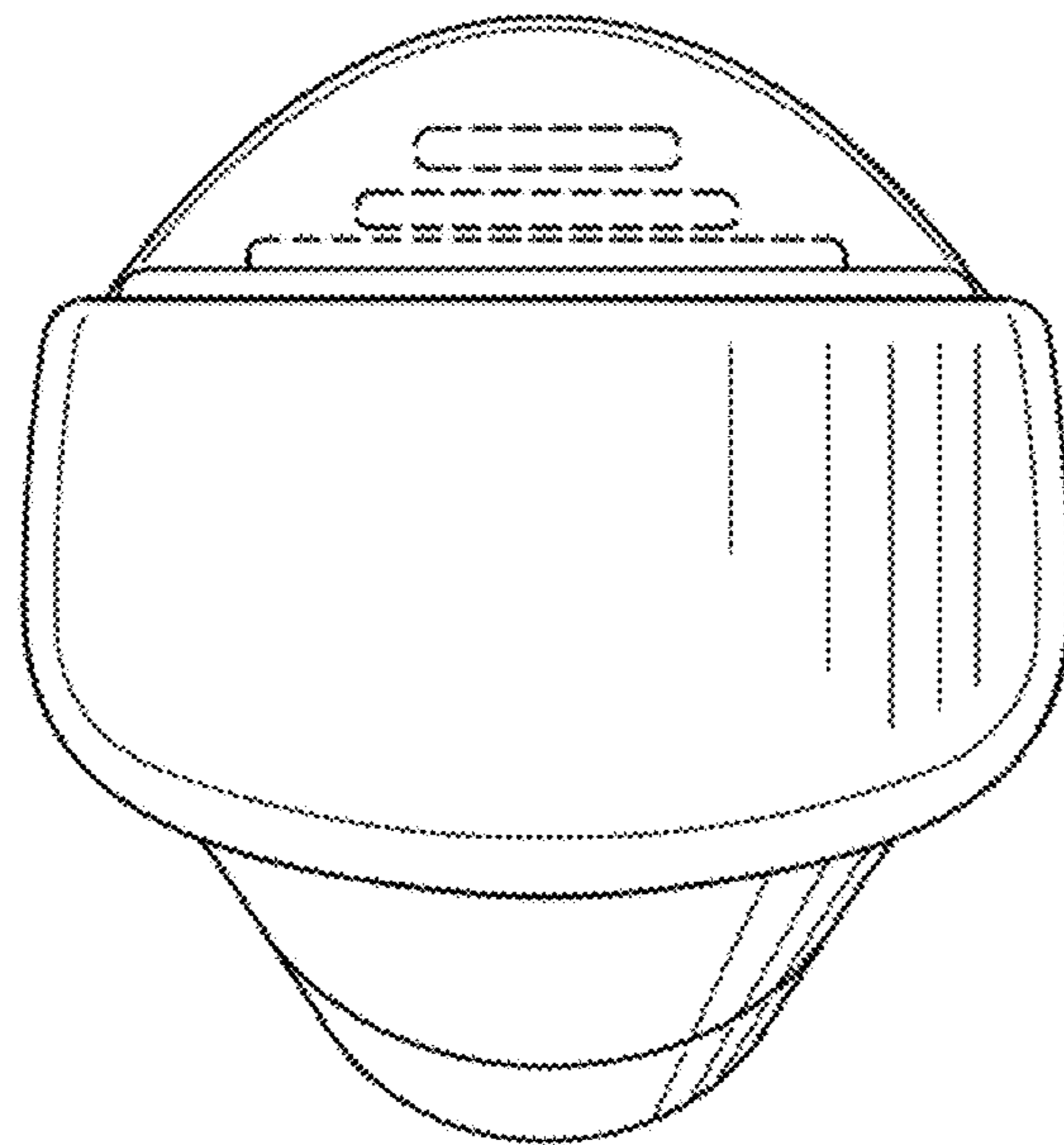


Fig. 10