



US00D947694S

(12) **United States Design Patent**
Moutzouris et al.

(10) **Patent No.:** **US D947,694 S**
(45) **Date of Patent:** **** Apr. 5, 2022**

(54) **ELECTRONIC MEASUREMENT DEVICE**

(71) Applicant: **Pokit Innovations Pty Ltd**, North Ryde (AU)

(72) Inventors: **Paul Moutzouris**, Epping (AU);
Rowan Bell, McMahons Point (AU)

(73) Assignee: **Pokit Innovations Pty Ltd**

(**) Term: **15 Years**

(21) Appl. No.: **29/712,687**

(22) Filed: **Nov. 11, 2019**

(30) **Foreign Application Priority Data**

Aug. 9, 2019 (AU) 201914450

(51) **LOC (13) Cl.** **10-04**

(52) **U.S. Cl.**
USPC **D10/78**

(58) **Field of Classification Search**

USPC D10/61, 70-82, 65, 67, 85, 86, 106.91,
D10/106.9, 106.4, 96-103, 104.1, 56
CPC G01R 1/06733; G01R 1/067; G01R 13/20;
G01R 31/3644; G01R 19/0084; G01R
15/125; G01R 1/06788; G01R 1/0408;
G01R 1/04; G01R 15/08; G01R 19/145;
G01R 31/20; G01R 1/44; G01R 22/06;

(Continued)

(56) **References Cited**

U.S. PATENT DOCUMENTS

D260,619 S * 9/1981 Koslar D10/103
D389,419 S * 1/1998 Beha D10/78

(Continued)

FOREIGN PATENT DOCUMENTS

CN 3509868 * 6/2005
CN 006777629-0001 * 8/2019

(Continued)

OTHER PUBLICATIONS

Auroland, Pen Type Digital Multimeter, Date first available May 14, 2020, [online]retrieved Oct. 20, 2021, available from https://www.amazon.com/Multimeter-Electrical-Voltmeter-Resistance-Flashlight/dp/B088ND8FWM/ref=pd_bxgy_img_1/134-5564337-2927451?pd_rd_w=WBUtd&pf_rd_p=c64372fa-c41c-422e-990d-9e034f73989 (Year: 2020).*

(Continued)

Primary Examiner — Keli L Hill

Assistant Examiner — Sara S Sahneh

(74) *Attorney, Agent, or Firm* — Lerner, David, Littenberg, Krumholz & Mentlik, LLP

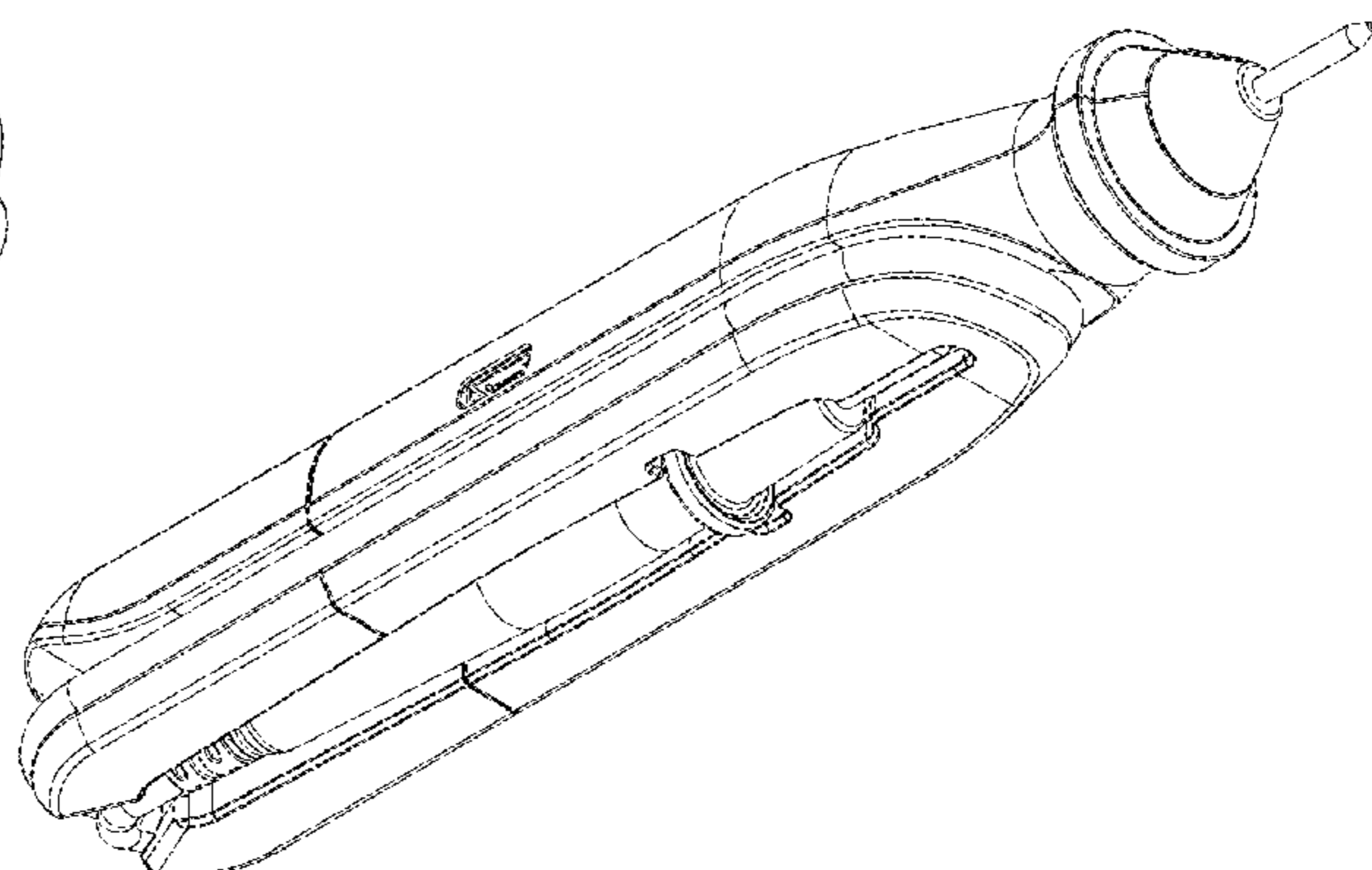
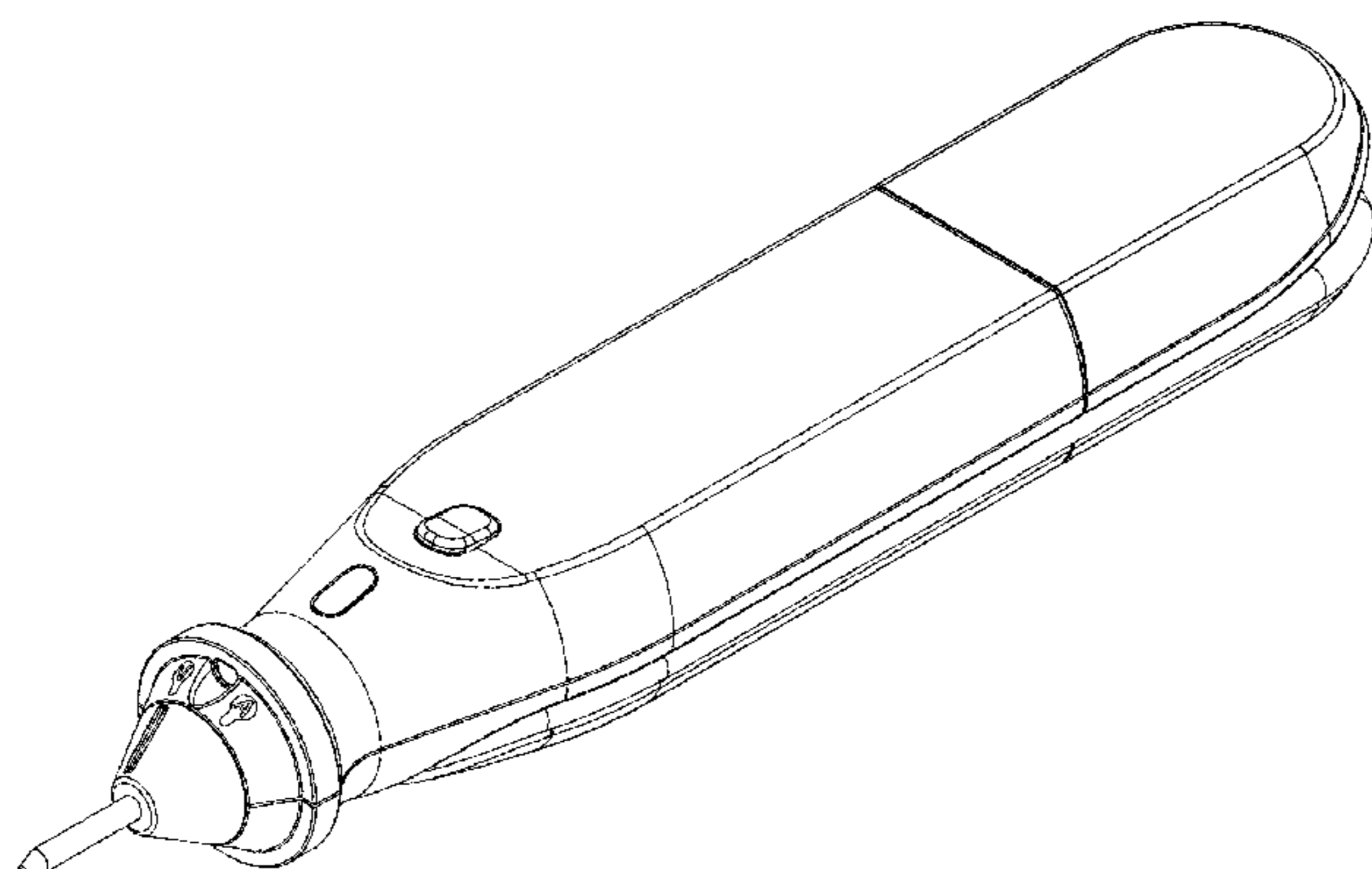
(57) **CLAIM**

The ornamental design for an electronic measurement device, as shown and described.

DESCRIPTION

FIG. 1 is a front perspective view of an electronic measurement device according to our new design; FIG. 2 is another front perspective view thereof; FIG. 3 is a bottom perspective view thereof; FIG. 4 is another bottom perspective view thereof; FIG. 5 is a rear perspective view of the bottom thereof; FIG. 6 is another rear perspective view of the bottom thereof; FIG. 7 is a top plan view thereof; FIG. 8 is a bottom plan view thereof; FIG. 9 is a right side view thereof; FIG. 10 is a left side view thereof; FIG. 11 is a front elevation view thereof; FIG. 12 is a rear elevation view thereof; FIG. 13 is a rear perspective view showing an in-use example thereof; FIG. 14 is a front perspective view showing an in-use example thereof; and, FIG. 15 is a bottom plan view showing an in-use example thereof.

1 Claim, 15 Drawing Sheets



(58) **Field of Classification Search**

CPC G01R 19/2509; G01R 13/02; G01R 1/00;
 G01R 15/18; G01R 1/22; G01R 15/181;
 G01R 22/10; G01R 22/063; G01R
 22/061; G01K 13/00; G01K 1/14; G01K
 15/00; G01K 15/005; H04Q 2209/40;
 G08C 17/02; G01D 4/002; G01D 4/008;
 G01D 4/04; G01D 11/24; G01D 18/008;
 G06Q 50/06; G06Q 20/145; H05K 7/20;
 H05K 5/0017; F28D 15/00; H04L 67/16;
 H04L 67/12; H04L 67/303; G09G
 2330/021; H04W 88/005; H04W 88/00;
 G05B 19/0426; G05B 2219/25428

See application file for complete search history.

(56) **References Cited**

U.S. PATENT DOCUMENTS

| | | | |
|-------------------|---------|-----------------|----------------------------|
| D400,454 S * | 11/1998 | Arnoux | D10/78 |
| D409,929 S * | 5/1999 | Fisher | D10/78 |
| D427,534 S * | 7/2000 | Beha | D10/78 |
| D460,702 S * | 7/2002 | Kaise | D10/78 |
| D481,963 S * | 11/2003 | Onuma | D10/78 |
| 8,154,316 B2 * | 4/2012 | Lagerberg | G01R 1/025 324/754.03 |
| 10,775,410 B1 * | 9/2020 | Kraft | F21L 4/005 |
| D908,518 S * | 1/2021 | Clarke | D10/78 |
| 2010/0176828 A1 * | 7/2010 | Eccleston | G01R 1/06788 324/755.01 |
| 2011/0156696 A1 * | 6/2011 | Cheek | G01R 19/2503 324/115 |
| 2021/0181239 A1 * | 6/2021 | Constable | G01R 15/125 |

FOREIGN PATENT DOCUMENTS

| | | | |
|----|-----------------|---|---------|
| CN | 306660601 | * | 1/2021 |
| CN | 306784903 | * | 4/2021 |
| GB | 9005889383-0001 | * | 12/2018 |
| KR | 301057888.0000 | * | 2/2019 |
| RU | 00053376 | * | 8/2002 |

OTHER PUBLICATIONS

Ubrand,Non Contact Voltage Tester Pen,Date first available Dec. 31, 2020, [online]retrieved Oct. 20, 2021,available from https://www.amazon.com/dp/B08RRY4DQL/ref=sspa_dk_detail_3?pf_rd_p=9fd3ea7c-b77c-42ac-b43b-c872d3f37c38&pd_rd_wg=LPOHg&pf_rd_r=Z2ZFFEW86QEB3J5JFVY8&pd_rd_w=CaVZq&pd_rd_r=b8033ae8-886 (Year: 2020).*

Etekcitey Store, Digital Multimeter,Date first available May 22, 2014, [online]retrieved Oct. 20, 2021,available from https://www.amazon.com/Etekcitey-Multimeter-MSR-R500-Electronic-Multimeters/dp/B01N9QW620/ref=psdc_14244471_t4_B08P7DMHJ5?th=1 (Year: 2014).*

AOPUTTRIVER Store, Pen Type Digital Multimeter,Date first available Aug. 29, 2019, [online]retrieved Oct. 25, 2021,available from https://www.amazon.com/dp/B07X22ZT4P/ref=sspa_dk_detail_2?psc=1&pf_rd_p=9fd3ea7c-b77c-42ac-b43b-c872d3f37c38&pd_rd_wg=cCbox&pf_rd_r=RXZV2DYEMTD4E9CZ4WZ9&pd_rd_w=ePJ19 (Year: 2019).*

TENMA Pen Type Digital Multimeter, Product Sheet, Jul. 7, 2010, 1 page.

* cited by examiner

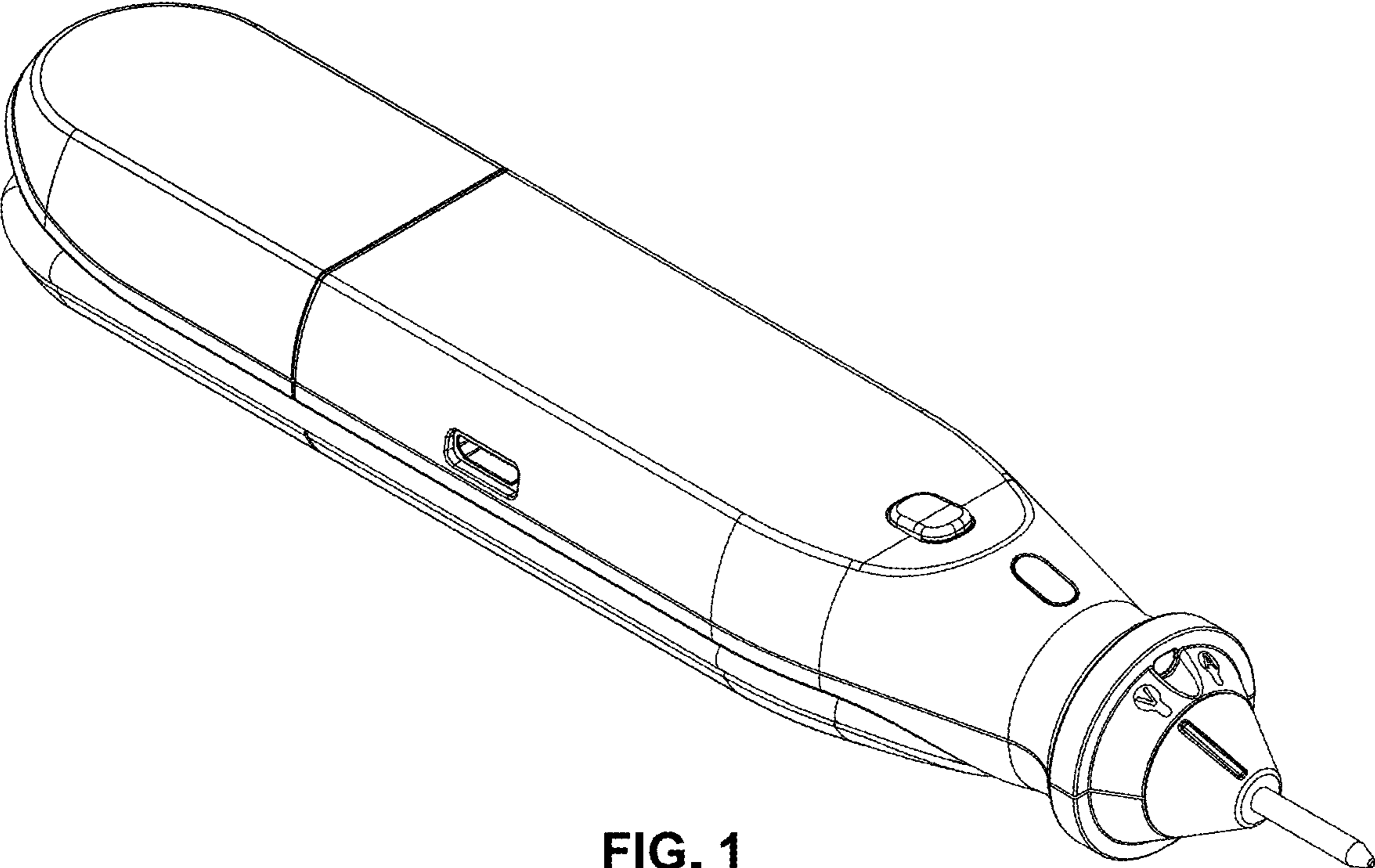
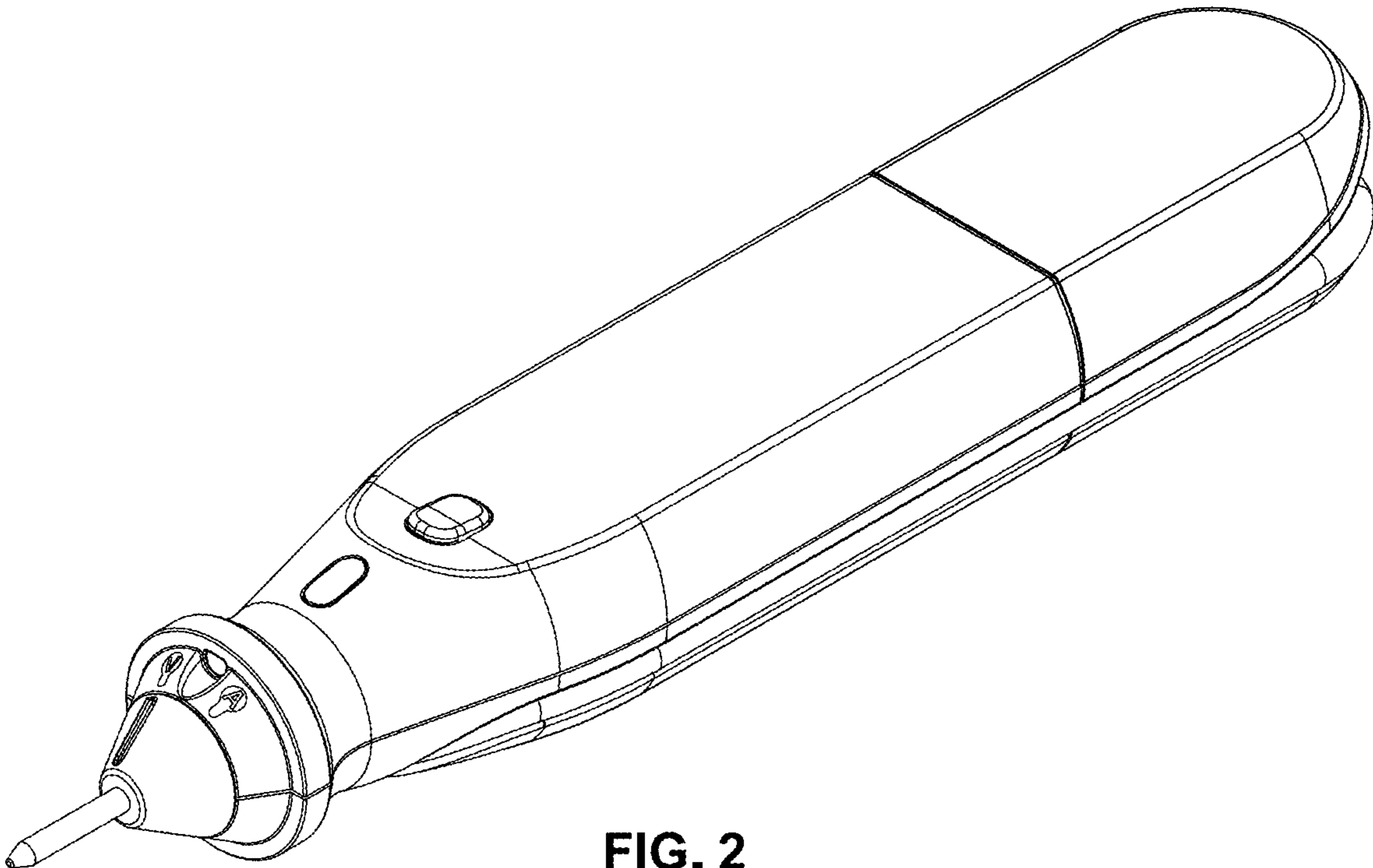


FIG. 1



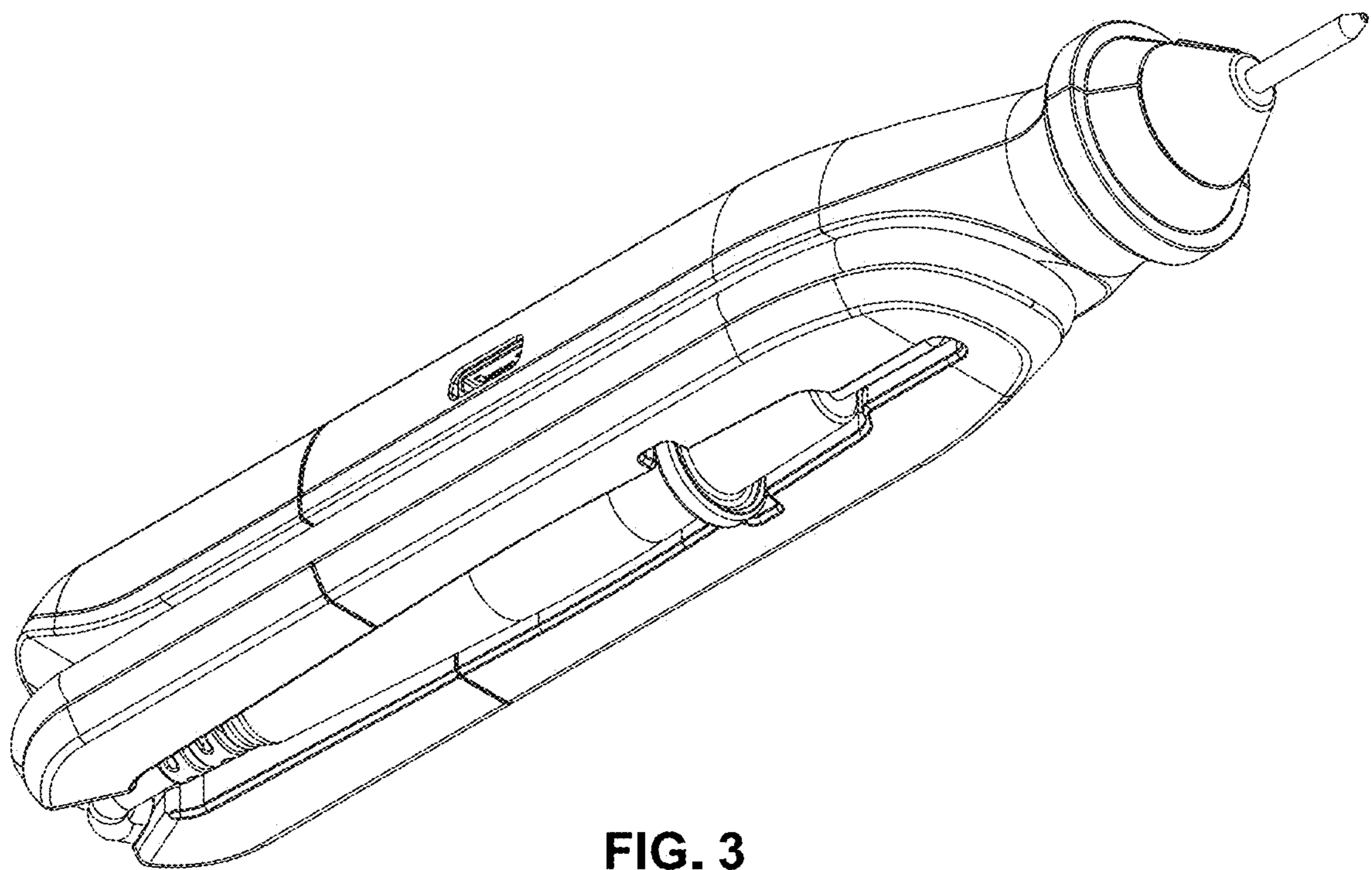


FIG. 3

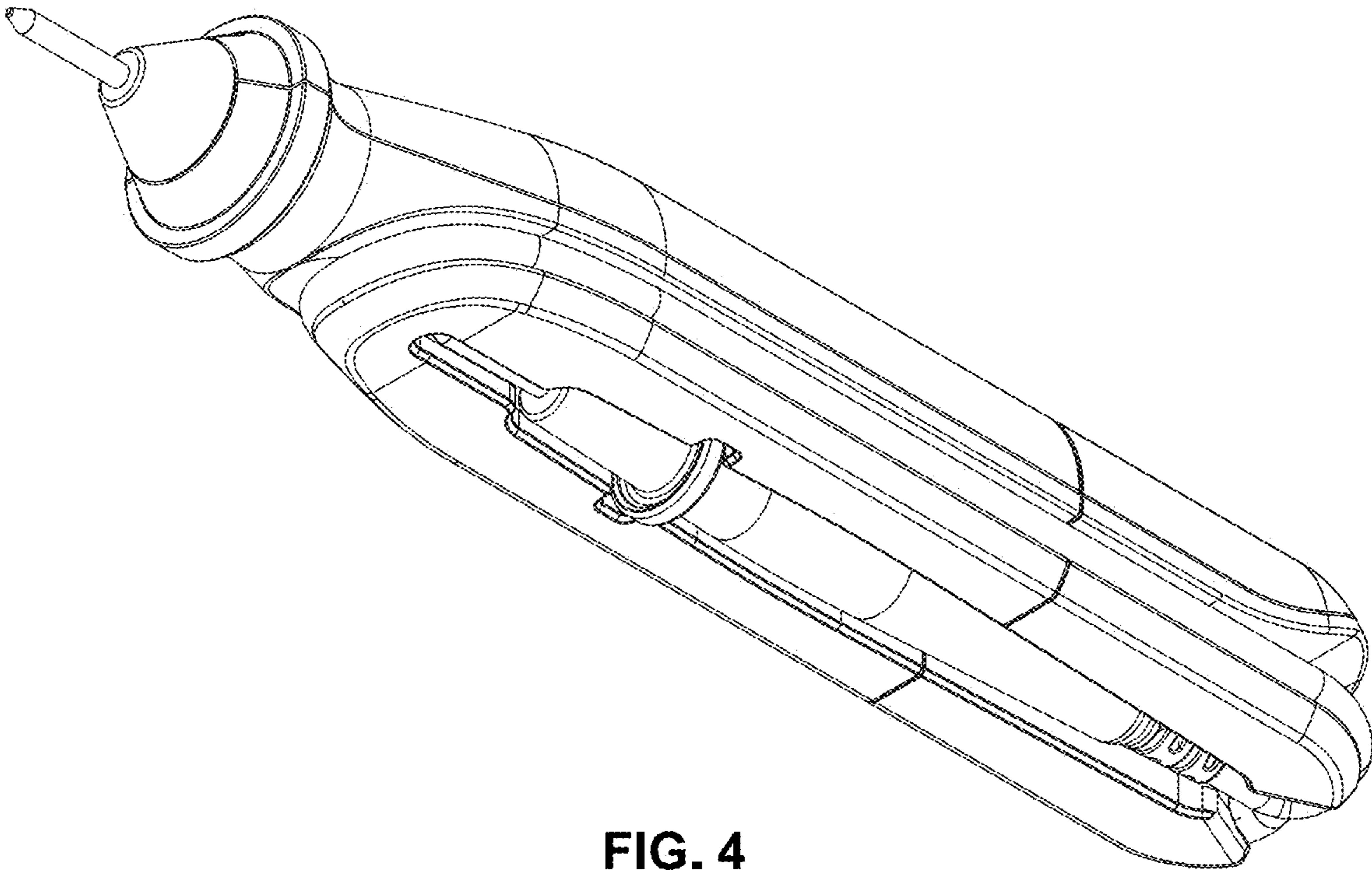


FIG. 4

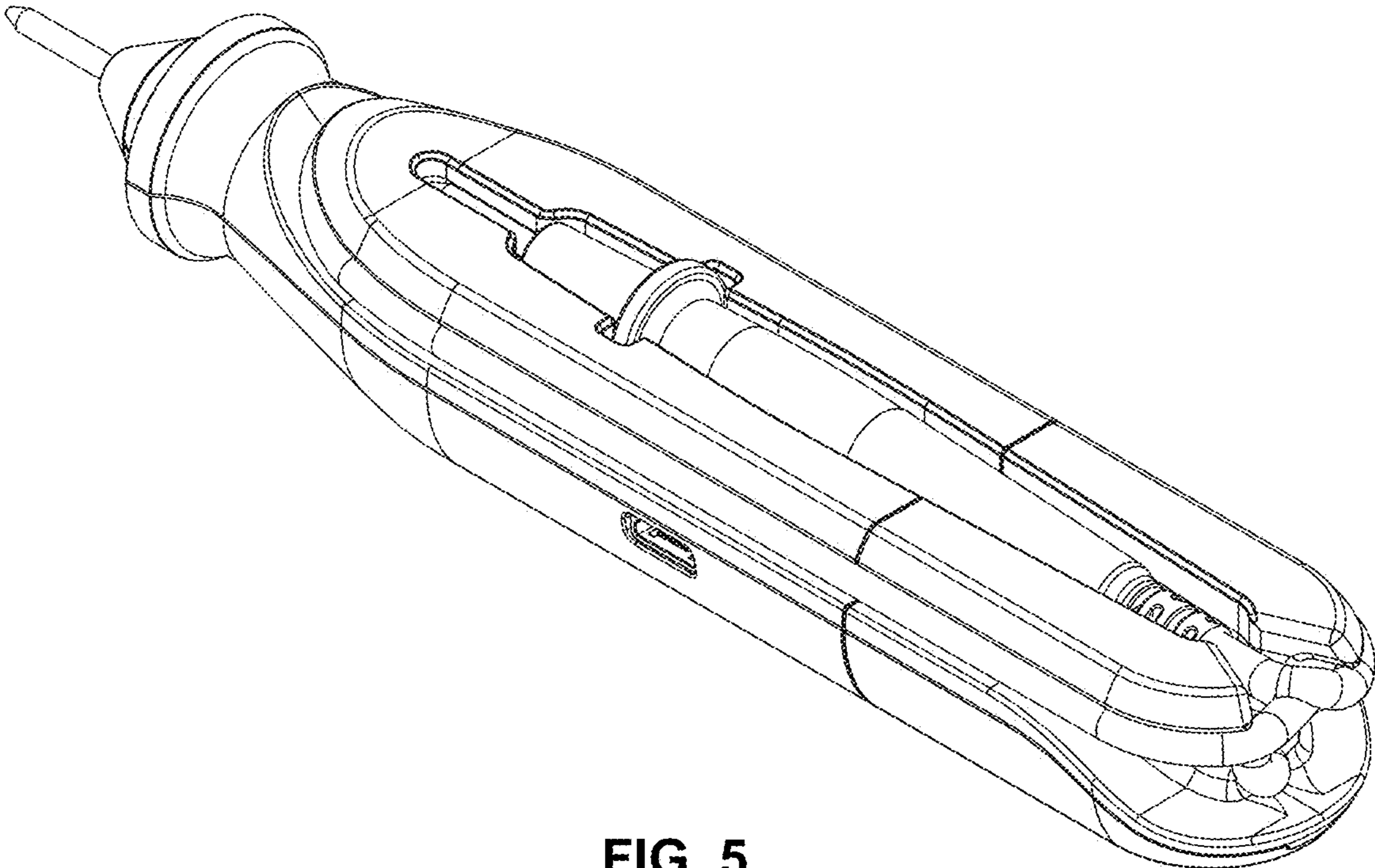


FIG. 5

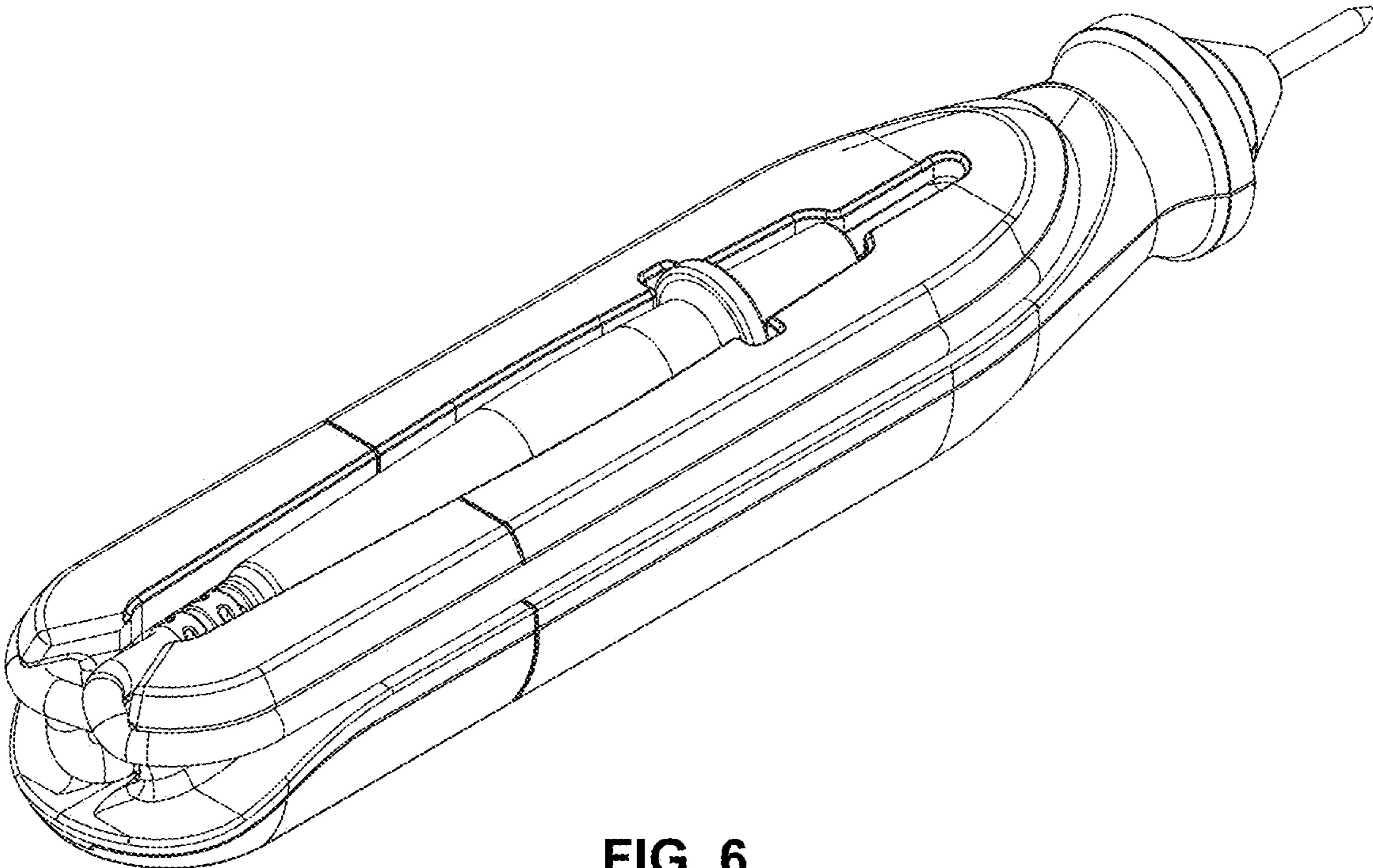


FIG. 6

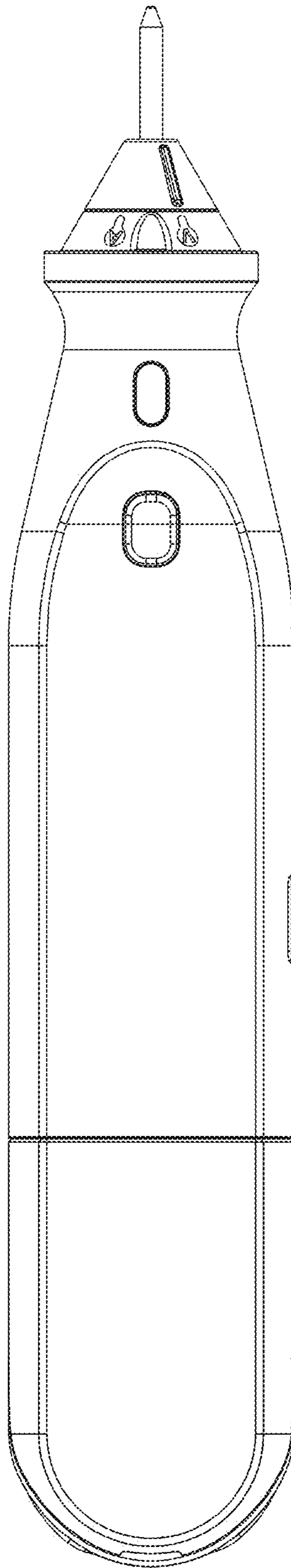


FIG. 7

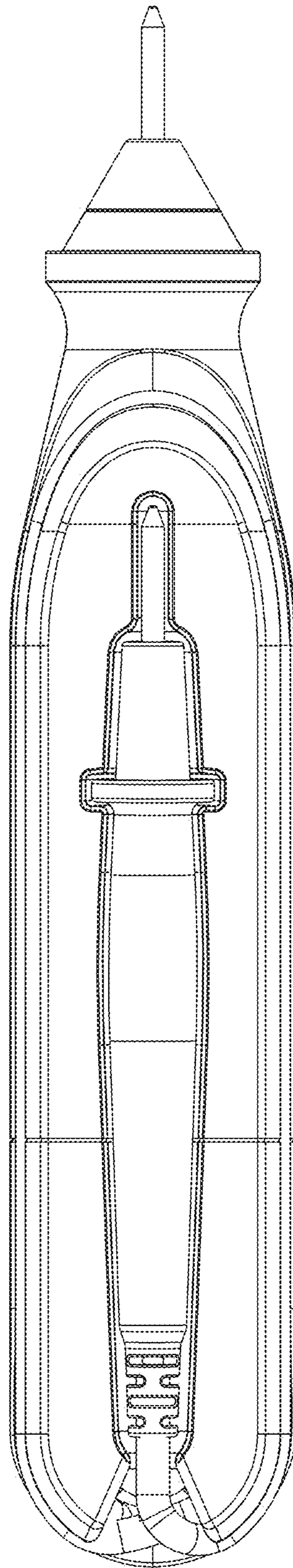


FIG. 8

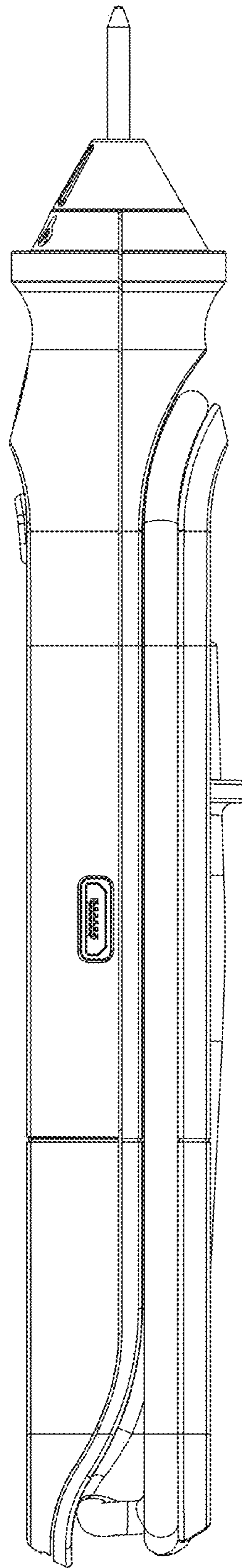


FIG. 9

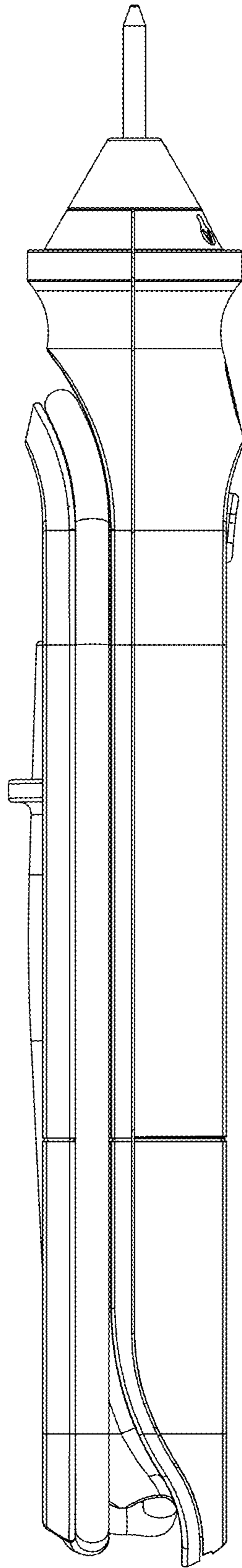


FIG. 10

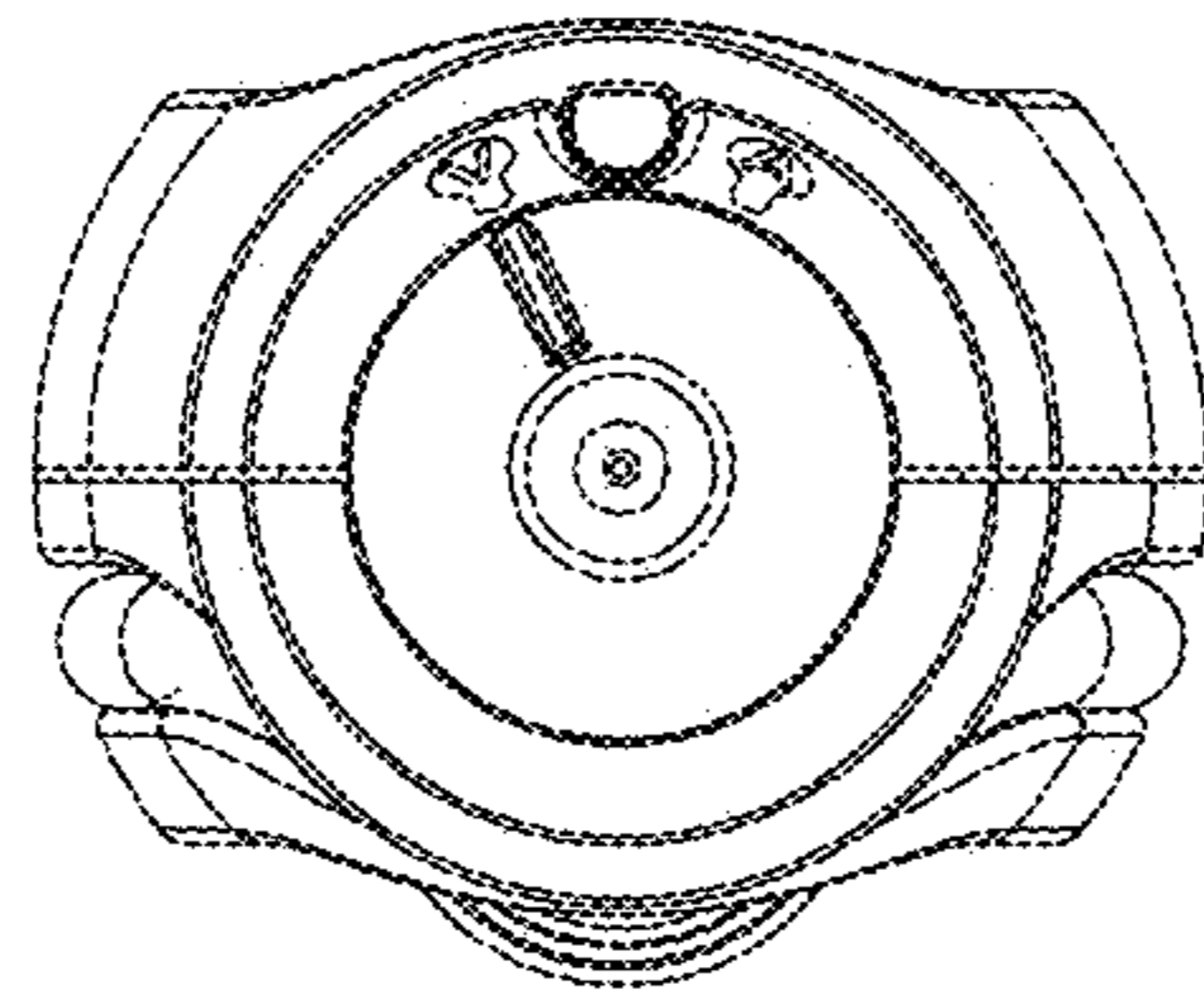


FIG. 11

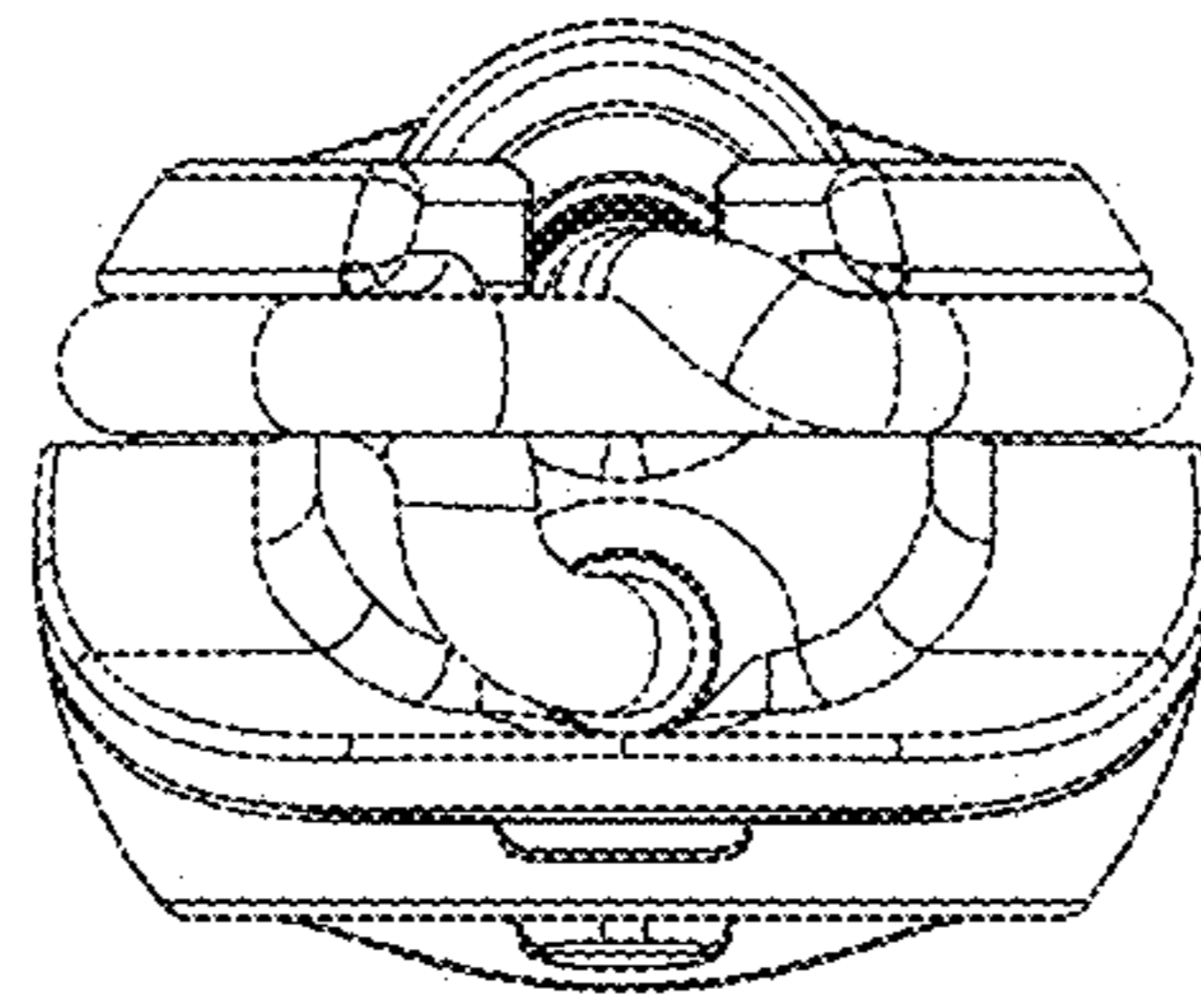


FIG. 12

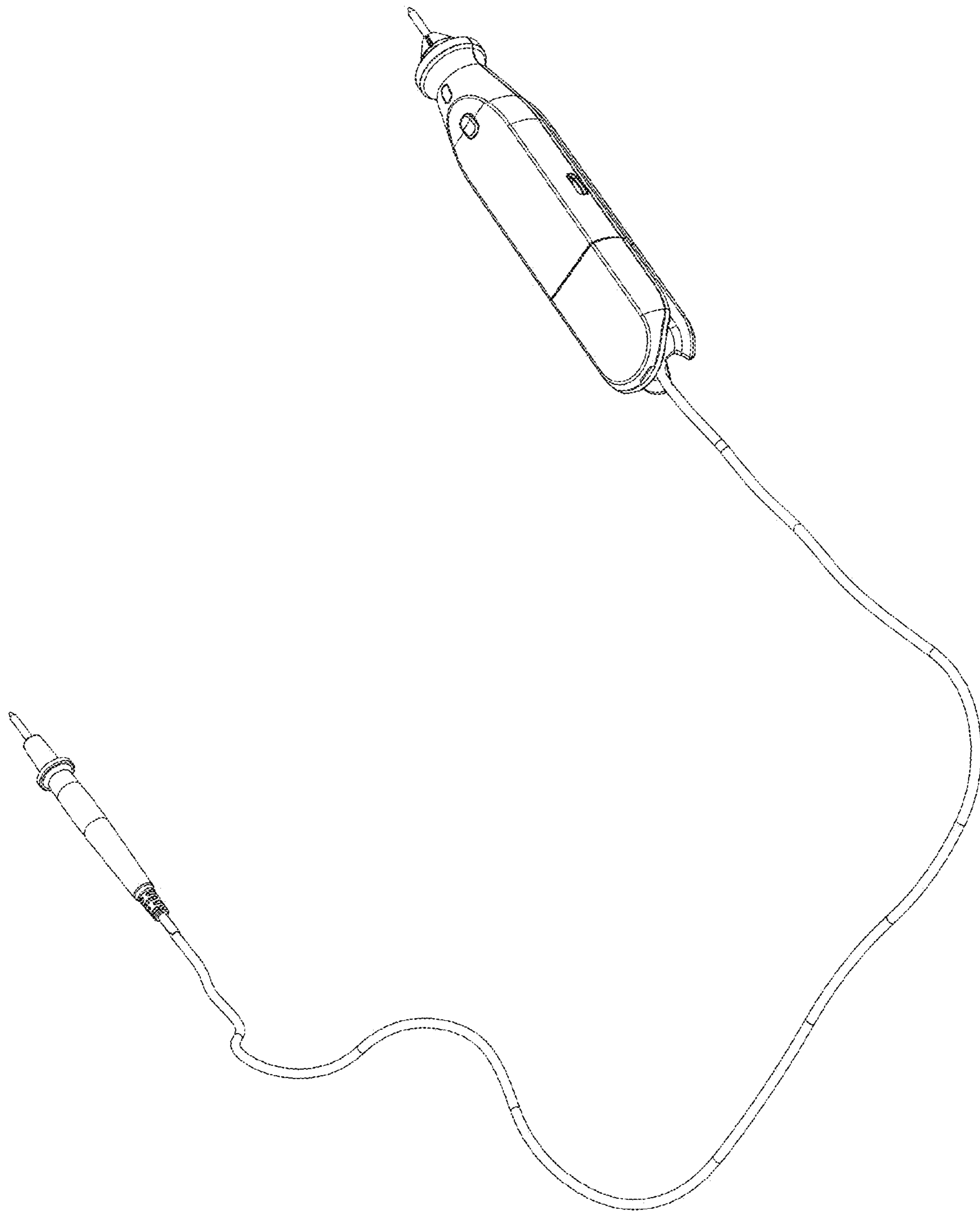


FIG. 13

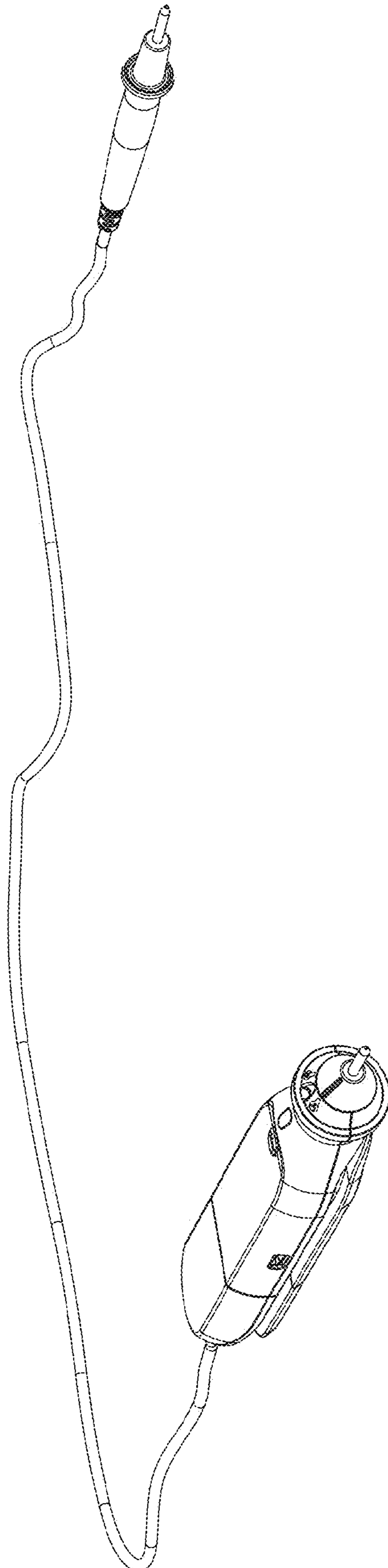


FIG. 14

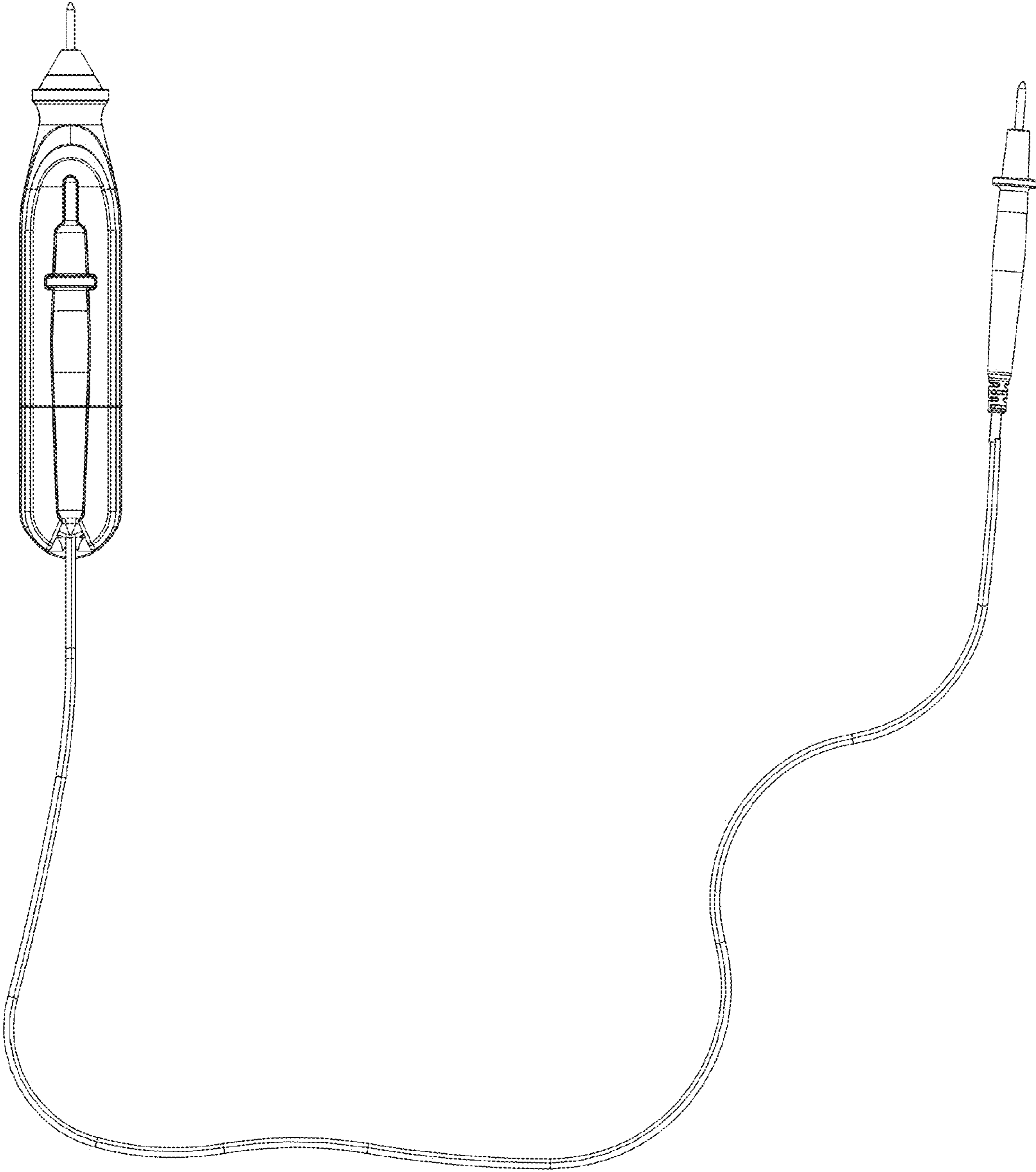


FIG. 15