



US00D947693S

(12) **United States Design Patent**  
**Engquist et al.**

(10) **Patent No.:** **US D947,693 S**

(45) **Date of Patent:** **\*\* Apr. 5, 2022**

(54) **MEASUREMENT PROBE HEAD ASSEMBLY**

(71) Applicant: **Tektronix, Inc.**, Beaverton, OR (US)

(72) Inventors: **David Thomas Engquist**, Portland, OR (US); **Heather J. Vermilyea**, Beaverton, OR (US); **Karl A. Rinder**, Beaverton, OR (US); **Michael J. Mende**, Portland, OR (US); **Tony Lee Tarr**, Portland, OR (US)

(73) Assignee: **Tektronix, Inc.**, Beaverton, OR (US)

(\*\*) Term: **15 Years**

(21) Appl. No.: **29/706,540**

(22) Filed: **Sep. 20, 2019**

(51) **LOC (13) Cl.** ..... **10-04**

(52) **U.S. Cl.**  
USPC ..... **D10/78**

(58) **Field of Classification Search**  
USPC ..... D10/46, 78, 80  
CPC ..... G01R 1/06788  
See application file for complete search history.

(56) **References Cited**

**U.S. PATENT DOCUMENTS**

5,149,182 A	9/1992	Keller
D354,923 S	1/1995	Nightingale
5,406,067 A	4/1995	Keller
D365,997 S	1/1996	Wrisley et al.
D366,432 S	1/1996	Wrisley et al.
5,491,548 A	2/1996	Bell et al.
D400,457 S	11/1998	Wrisley
D401,521 S	11/1998	Wrisley et al.
D401,875 S	12/1998	Wrisley
D404,664 S	1/1999	Wrisley
D404,665 S	1/1999	Wrisley et al.
D404,666 S	1/1999	Wrisley
D413,823 S	9/1999	Dobyns et al.
D420,607 S	2/2000	Wrisley et al.

6,088,029 A	7/2000	Guiberson et al.
6,229,456 B1	5/2001	Engholm et al.
D443,538 S	6/2001	Wrisley et al.
D444,084 S	6/2001	Wrisley et al.
D444,085 S	6/2001	Wrisley et al.
D444,086 S	6/2001	Wrisley et al.
6,297,796 B1	10/2001	Letts et al.
6,321,171 B1	11/2001	Baker

(Continued)

*Primary Examiner* — Antoine D Davis

(74) *Attorney, Agent, or Firm* — Miller Nash LLP;  
Andrew J. Harrington

(57) **CLAIM**

The ornamental design for a measurement probe head assembly, as shown and described.

**DESCRIPTION**

FIG. 1 is a front-side isometric view of a measurement probe head assembly in an operating environment.

FIG. 2 is a front-side isometric view of the measurement probe head assembly of FIG. 1 resting in a stand.

FIG. 3 is a front-side isometric view of a measurement probe head assembly of FIG. 1.

FIG. 4 is a front view of the measurement probe head assembly of FIG. 1.

FIG. 5 is a rear view of the measurement probe head assembly of FIG. 1.

FIG. 6 is a top view of the measurement probe head assembly of FIG. 1.

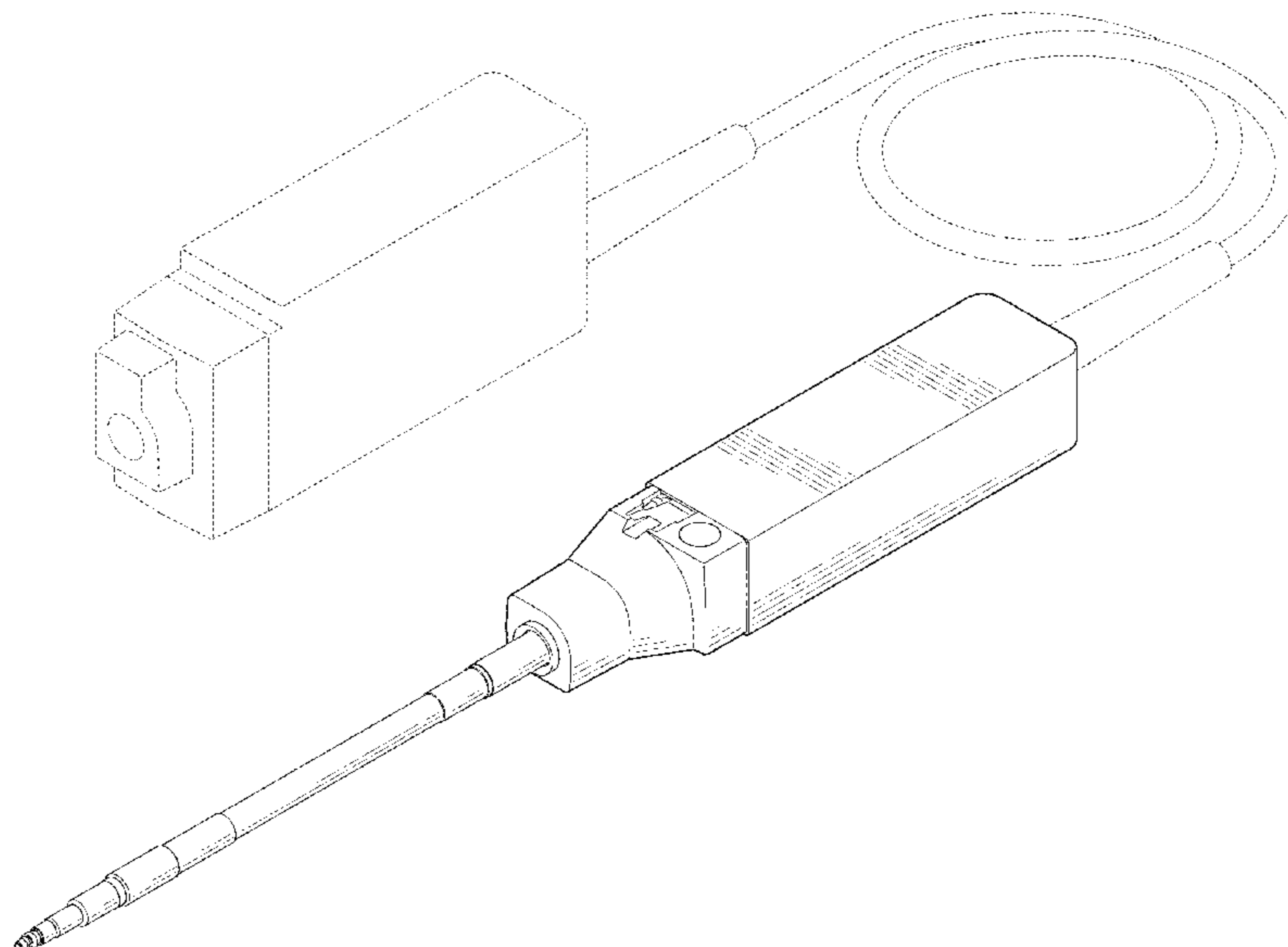
FIG. 7 is a first-side view of the measurement probe head assembly of FIG. 1.

FIG. 8 is a bottom view of the measurement probe head assembly of FIG. 1; and,

FIG. 9 is a second-side view of the measurement probe head assembly of FIG. 1.

Environmental portions of the measurement probe head assembly and stand are shown in broken lines and form no part of the claimed design.

**1 Claim, 4 Drawing Sheets**



(56)

References Cited

U.S. PATENT DOCUMENTS

6,336,592 B1	1/2002	Russell et al.	8,793,536 B2	7/2014	Tran	
D460,371 S	7/2002	Wrisley et al.	8,818,744 B2	8/2014	Martin et al.	
D460,703 S	7/2002	Wrisley et al.	8,924,175 B2	12/2014	Smith et al.	
D472,171 S	3/2003	Wrisley et al.	9,020,016 B2	4/2015	Dobyns et al.	
6,615,148 B2	9/2003	Pickerd	9,026,390 B2	5/2015	Martin	
6,642,926 B1	11/2003	Letts	9,075,696 B2	7/2015	Smith et al.	
6,681,191 B1	1/2004	Pickerd et al.	9,134,347 B2	9/2015	Niles et al.	
6,693,576 B2	2/2004	Azinger	9,157,943 B2	10/2015	Dobyns et al.	
6,728,648 B1	4/2004	Letts	9,207,269 B2	12/2015	Turpin et al.	
6,778,931 B1	8/2004	Letts et al.	9,239,343 B2	1/2016	Martin	
7,474,972 B2	1/2009	Pickerd et al.	9,291,646 B2	3/2016	Dobyns et al.	
7,529,641 B2	5/2009	Sullivan	9,297,834 B2	3/2016	Dobyns et al.	
7,734,442 B2	6/2010	Sedeh et al.	9,306,590 B2	4/2016	Knierim et al.	
8,024,141 B2	9/2011	Bartlett et al.	9,432,042 B2	8/2016	Knierim et al.	
8,055,464 B2	11/2011	Rule et al.	9,525,427 B1	12/2016	Knierim	
8,089,293 B2	1/2012	Hagen	9,529,017 B2	12/2016	Martin et al.	
8,103,473 B2	1/2012	Acuff et al.	9,568,503 B2	2/2017	Knierim et al.	
D663,636 S	7/2012	Dobyns et al.	D786,108 S	5/2017	Campbell	
D664,458 S	7/2012	Kreitzer et al.	9,714,956 B2	7/2017	Bergsieker et al.	
8,228,072 B2	7/2012	Hagen	D808,832 S	1/2018	Engquist et al.	
D671,021 S	11/2012	Dobyns et al.	9,858,240 B2	1/2018	Dees et al.	
8,324,885 B2	12/2012	Dobyns	9,859,908 B2	1/2018	Knierim	
8,335,950 B2	12/2012	Tran	9,934,355 B2	4/2018	Smith et al.	
D677,184 S	3/2013	Kluser et al.	D820,127 S	6/2018	Kreitzer et al.	
8,461,850 B2	6/2013	Dobyns et al.	D820,129 S	6/2018	Kreitzer et al.	
8,521,460 B2	8/2013	Dobyns	D821,234 S	6/2018	Li et al.	
8,615,382 B2	12/2013	Dobyns et al.	10,094,868 B2	10/2018	Knierim et al.	
8,649,989 B2	2/2014	Hillman, Jr. et al.	10,107,649 B2	10/2018	Dobyns et al.	
8,675,719 B2	3/2014	Dobyns et al.	10,330,705 B2	6/2019	Knierim et al.	
8,742,749 B2	6/2014	Knierim	10,559,173 B2 *	2/2020	Hickman .....	G01R 1/07
			2016/0187383 A1 *	6/2016	Themm .....	G01R 1/06788 324/754.02

\* cited by examiner

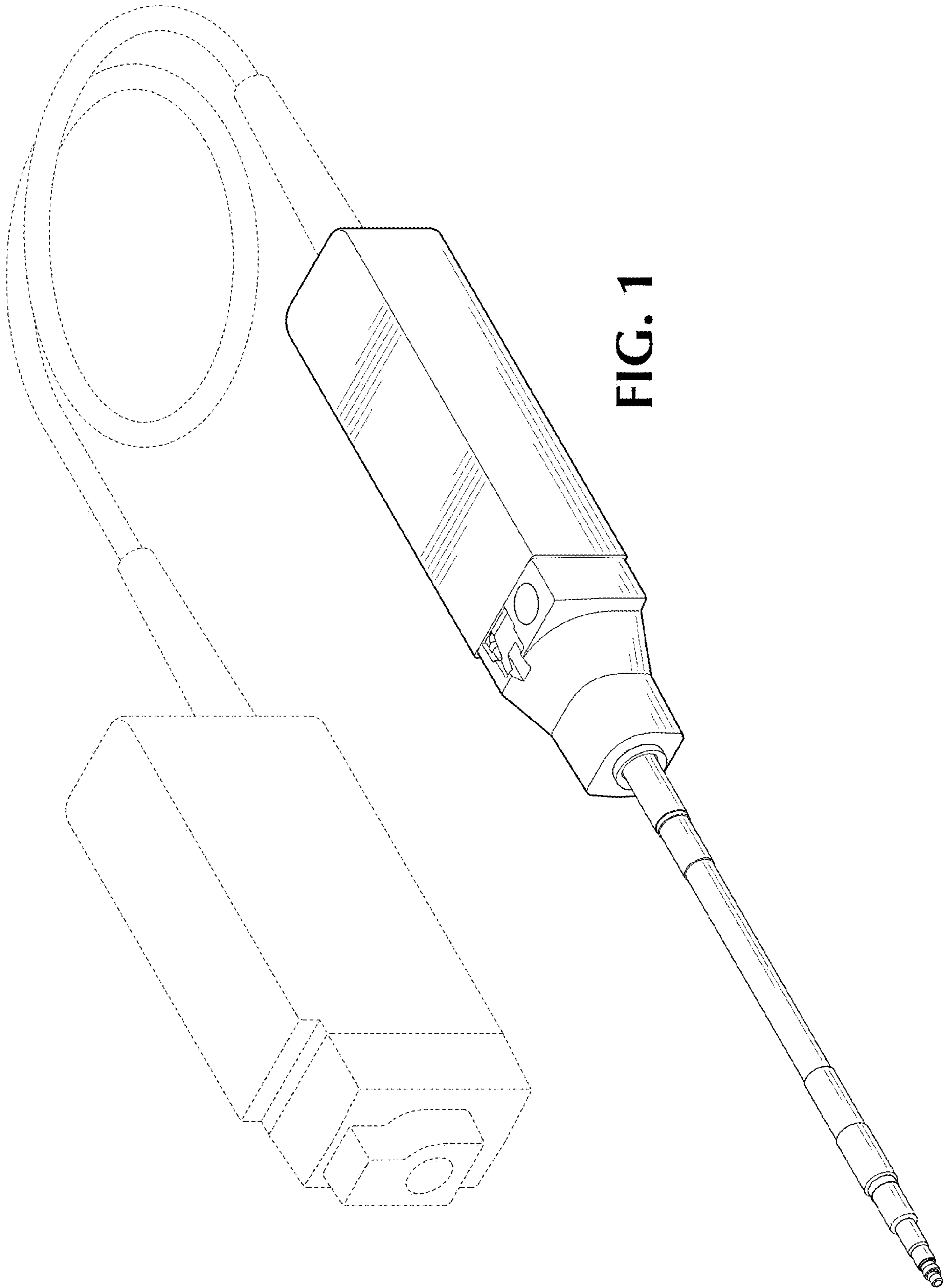


FIG. 1

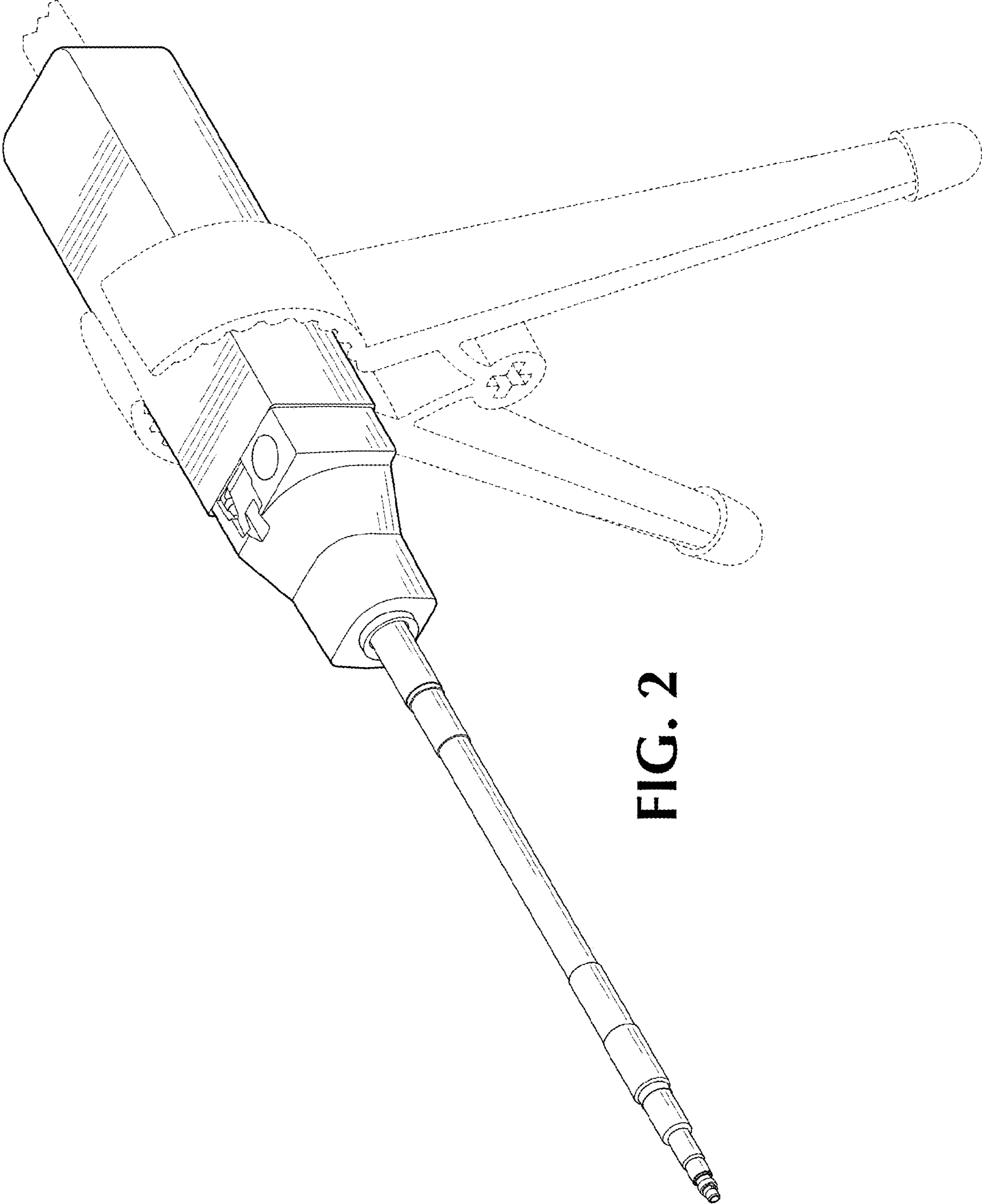


FIG. 2

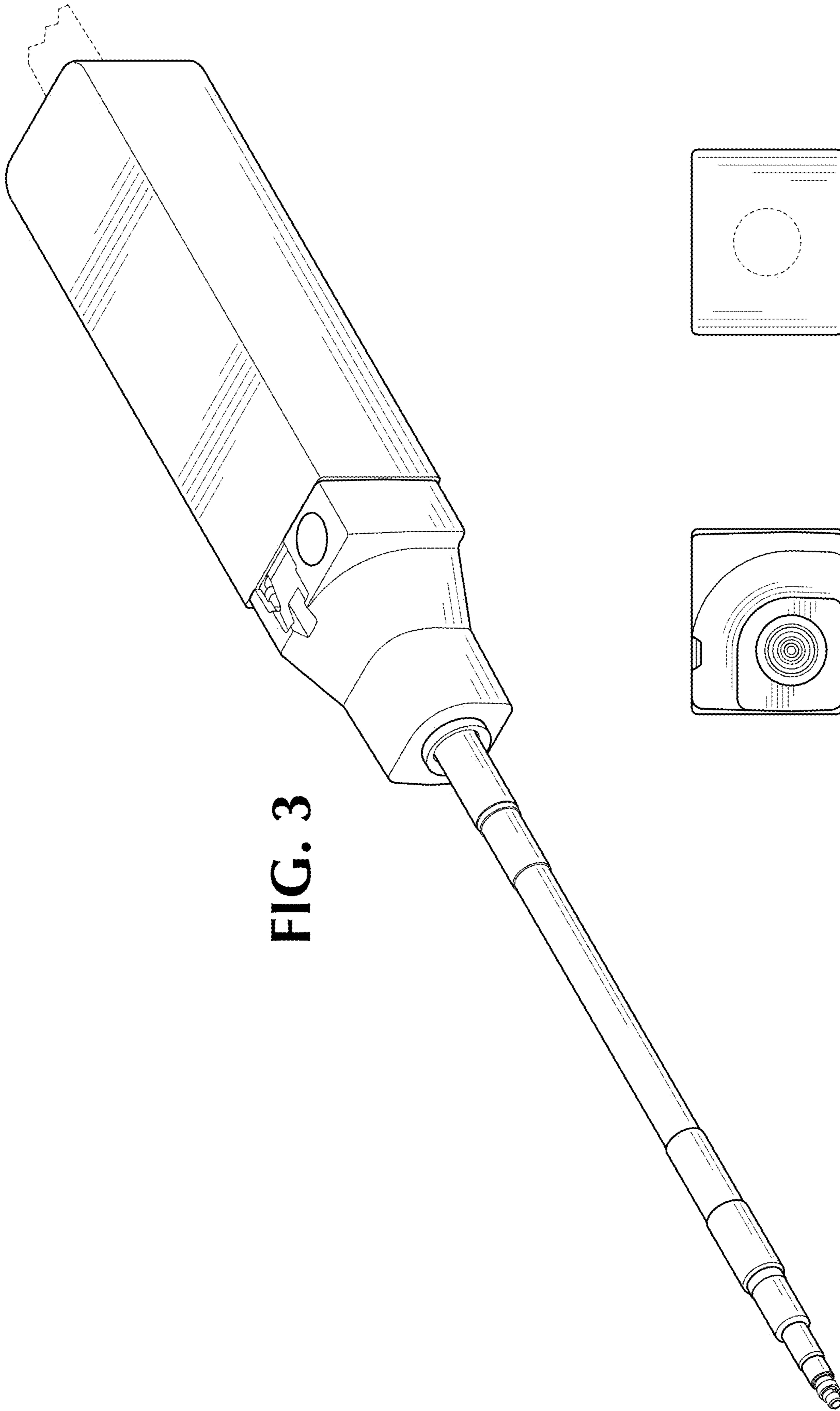


FIG. 3

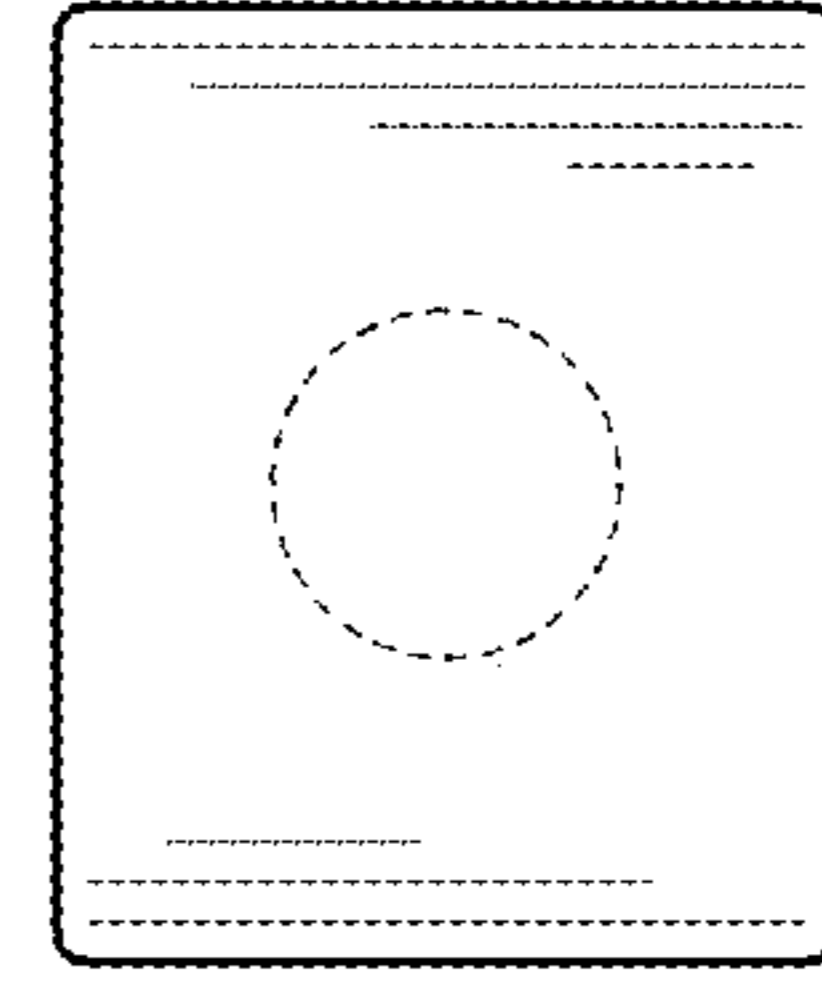


FIG. 5

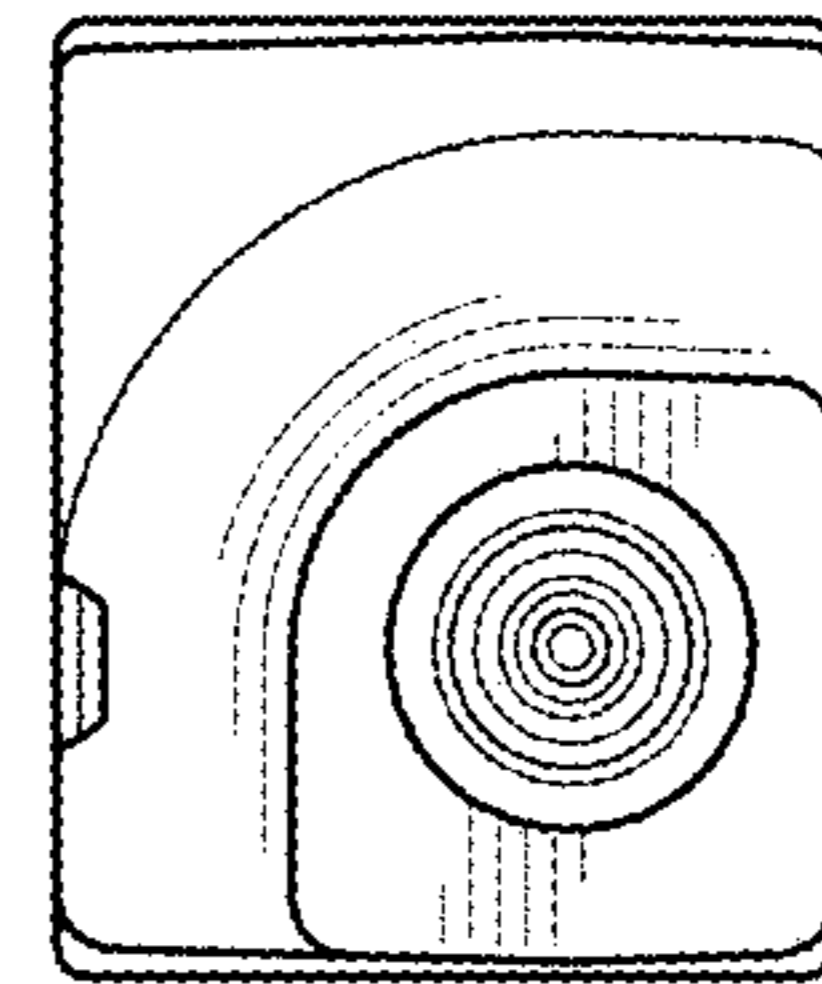
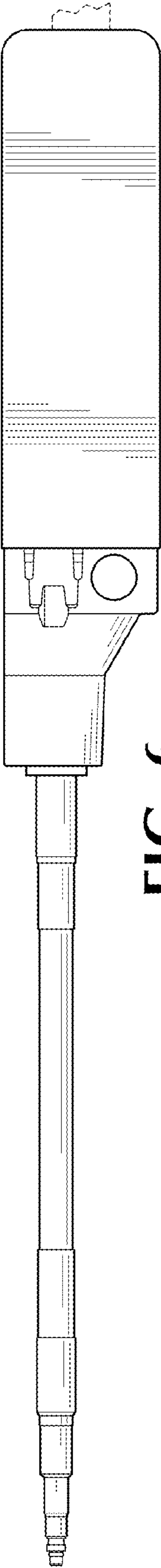
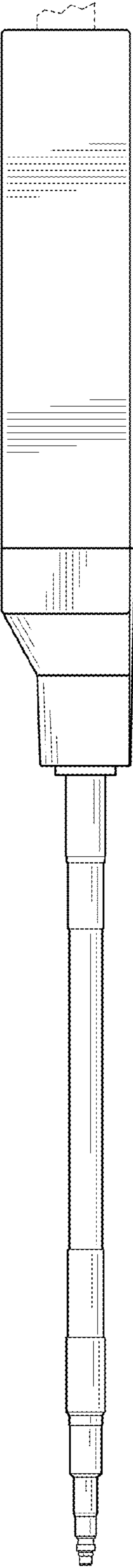


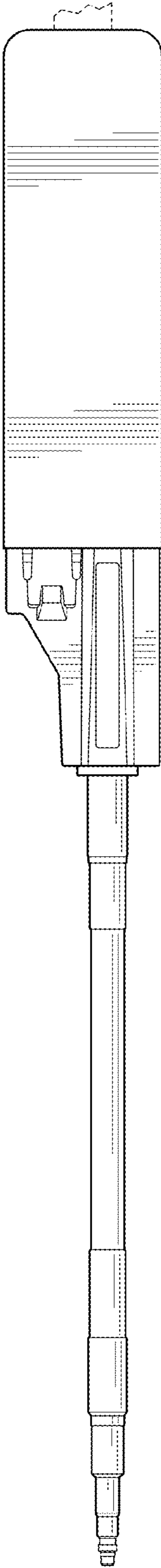
FIG. 4



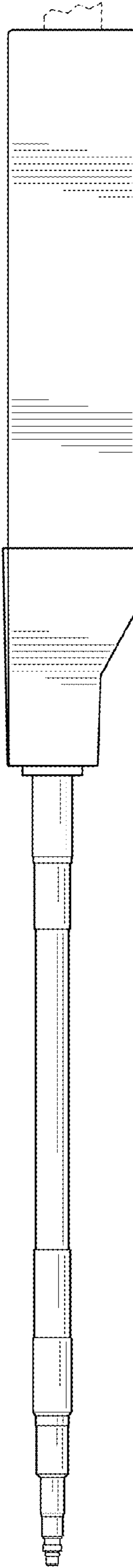
**FIG. 6**



**FIG. 7**



**FIG. 8**



**FIG. 9**