



US00D947692S

(12) **United States Design Patent**
Akana et al.

(10) **Patent No.:** **US D947,692 S**

(45) **Date of Patent:** **** Apr. 5, 2022**

(54) **WEARABLE DEVICE**

(71) Applicant: **Apple Inc.**, Cupertino, CA (US)

(72) Inventors: **Jody Akana**, San Francisco, CA (US);
Bartley K. Andre, Palo Alto, CA (US);
Shota Aoyagi, San Francisco, CA (US);
Anthony Michael Ashcroft, San Francisco, CA (US);
Jeremy Bataillou, San Francisco, CA (US);
Daniel J. Coster, San Francisco, CA (US);
Daniele De Iuliis, San Francisco, CA (US);
M. Evans Hankey, San Francisco, CA (US);
Julian Hoenig, San Francisco, CA (US);
Richard P. Howarth, San Francisco, CA (US);
Jonathan P. Ive, San Francisco, CA (US);
Duncan Robert Kerr, San Francisco, CA (US);
Marc A. Newson, London (GB);
Matthew Dean Rohrbach, San Francisco, CA (US);
Peter Russell-Clarke, San Francisco, CA (US);
Benjamin Andrew Shaffer, San Jose, CA (US);
Mikael Silvano, San Francisco, CA (US);
Christopher J. Stringer, Woodside, CA (US);
Eugene Antony Whang, San Francisco, CA (US);
Rico Zörkendörfer, San Francisco, CA (US)

(73) Assignee: **Apple Inc.**, Cupertino, CA (US)

(**) Term: **15 Years**

(21) Appl. No.: **29/724,426**

(22) Filed: **Feb. 14, 2020**

Sep. 19, 2016, now Pat. No. Des. 807,765, which is a continuation of application No. 29/537,173, filed on Aug. 24, 2015, now Pat. No. Des. 766,893, which is a continuation of application No. 29/499,088, filed on Aug. 11, 2014, now Pat. No. Des. 737,157.

(51) **LOC (13) Cl.** **10-04**

(52) **U.S. Cl.**
USPC **D10/70; D10/39**

(58) **Field of Classification Search**

USPC D10/30-39, 65, 70, 78, 97, 98; D11/3; D14/203.5, 203.6, 341, 344; D24/167, D24/168, 186

CPC A44C 5/00-5/16; G04B 37/00-37/228;

G04B 45/0069; G04B 47/04; G04B

19/00-19/34; G04B 21/12; G04B 23/12;

G04B 47/00-47/068; G04B 47/065;

G04B 47/066; G01C 17/00; G01C

21/00-21/3697; G01C 22/00-22/025;

G01C 23/00-23/005; G01C 21/16; G06F

19/3481; G06F 3/00-3/027; G06F 1/163;

G01P 1/00-1/26; G01P 15/00-15/18;

A63B 24/00-2024/0096; A63B 2213/00;

A63B 69/0028; A63B

2071/0658-2071/0666; A63B

2220/00-2220/89; A63B 2225/02; A63C

11/02; A61B 5/0537; A61B 5/4872; A61B

5/6831; A61B 5/4869; A61B 5/0858;

A61B 5/1075; A61B 5/107; A61B

5/4875; A61B 5/4878; A61B 5/4881;

A61B 5/61-5/6898; G04R 20/02; G04C

10/00; G04C 10/02; G08B 21/0269;

G08B 21/0272; G08B 21/0286; G08B

21/0288; G08B 21/0291; G08B

21/04-21/2454; G01S 19/00-19/55;

G04G 9/0064; G04G 9/0005

See application file for complete search history.

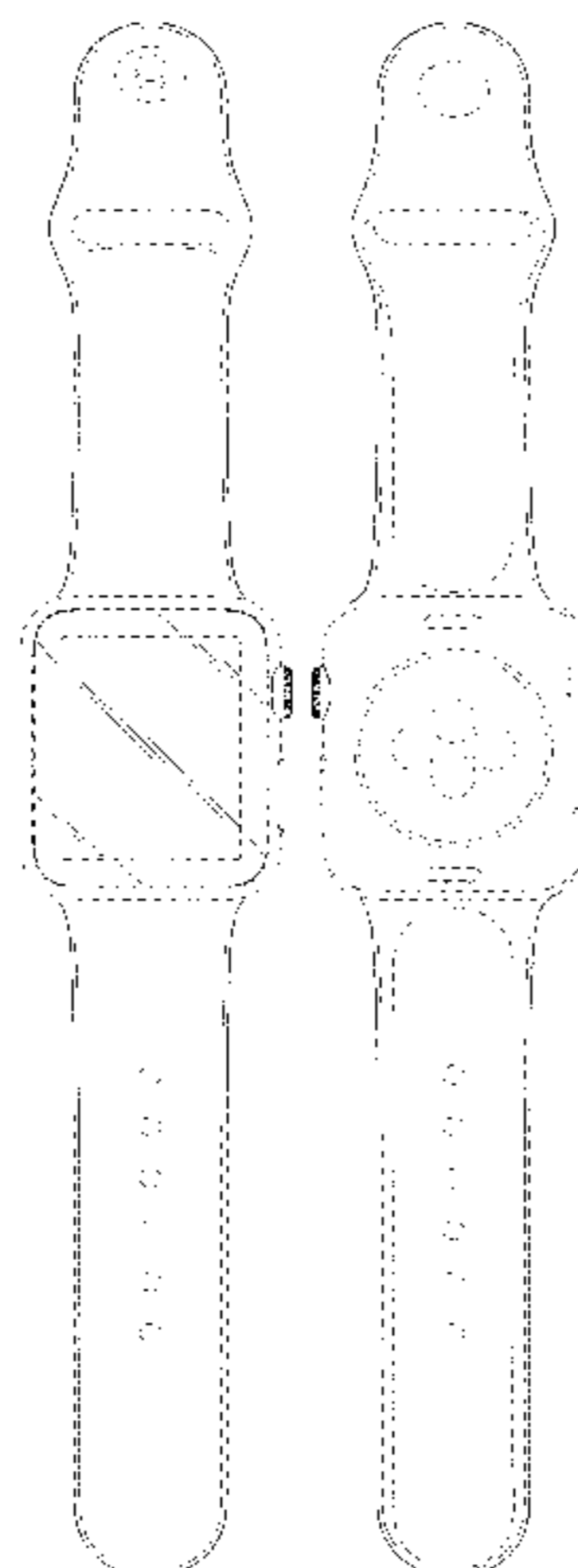
Related U.S. Application Data

(63) Continuation of application No. 29/694,966, filed on Jun. 14, 2019, now Pat. No. Des. 875,576, which is a continuation of application No. 29/632,050, filed on Jan. 4, 2018, now Pat. No. Des. 854,432, which is a continuation of application No. 29/578,059, filed on

(56) **References Cited**

U.S. PATENT DOCUMENTS

296,505 A 4/1884 Babbitt
851,288 A 4/1907 Hodges
1,165,262 A 12/1915 Jolly
1,962,037 A 6/1934 Schofer



US D947,692 S

Page 2

D141,753 S	7/1945	Du Bois	D656,856 S	4/2012	Kleinberg
2,451,749 A	10/1948	Kreisler	8,205,370 B2	6/2012	Padgett et al.
2,451,750 A	10/1948	Kreisler et al.	D666,503 S	9/2012	Bulgari
D152,491 S	1/1949	Ostier	D670,583 S	11/2012	Shaanan
2,498,211 A	2/1950	Kreisler	D672,667 S	12/2012	Mix
3,030,686 A	4/1962	Burkhardt	8,328,073 B1	12/2012	Smith et al.
3,233,801 A	2/1966	Schulenberg	D681,483 S	5/2013	Biegert et al.
3,640,065 A	2/1972	Lederrey et al.	8,601,784 B2	12/2013	Kaltenrieder
3,665,565 A	5/1972	Kruger	D699,701 S	2/2014	Kim
3,675,284 A	7/1972	Rieth	8,647,268 B2	2/2014	Tran
3,983,483 A	9/1976	Pando	D709,874 S	7/2014	Aumiller et al.
D269,254 S	6/1983	Kishimoto	D709,875 S	7/2014	Aumiller et al.
D287,471 S	12/1986	Sato et al.	8,766,805 B2	7/2014	Alameh et al.
4,627,231 A	12/1986	Kiuchi	D711,872 S	8/2014	Aumiller et al.
D297,123 S	8/1988	Kabaya	D711,873 S	8/2014	Aumiller et al.
D299,718 S	2/1989	Steer et al.	D714,288 S	9/2014	Aumiller et al.
D305,422 S	1/1990	Steer et al.	D715,668 S	10/2014	Roush et al.
D331,020 S	11/1992	Ishii et al.	D717,678 S	11/2014	Anderssen et al.
D333,626 S	3/1993	Chang	D717,679 S	11/2014	Anderssen et al.
5,201,789 A	4/1993	Fontana	D718,170 S	11/2014	Aumiller et al.
5,265,009 A	11/1993	Colavita	D719,123 S	12/2014	Park et al.
D343,584 S	1/1994	Olmes et al.	D720,248 S	12/2014	Law
D349,864 S	8/1994	Dunlap et al.	D720,249 S	12/2014	Park et al.
5,363,351 A	11/1994	Carney	D720,355 S	12/2014	Akana et al.
D355,375 S	2/1995	Bandy, II	D724,103 S	3/2015	Akana et al.
5,386,933 A	2/1995	Greene et al.	D724,176 S	3/2015	Maestas
D356,957 S	4/1995	Burgener	D724,469 S	3/2015	Akana et al.
D364,097 S	11/1995	Mickey, Sr.	D724,556 S	3/2015	Choi et al.
D372,658 S	8/1996	Decursu et al.	D727,197 S	4/2015	Akana et al.
D417,236 S	11/1999	Burrus	D727,198 S	4/2015	Akana et al.
D438,812 S	3/2001	Bert	D727,199 S	4/2015	Akana et al.
D439,172 S	3/2001	Brzezinski	D727,316 S	4/2015	Song
D455,093 S	4/2002	Fitzgerald	D727,787 S	4/2015	Akana et al.
D459,238 S	6/2002	Wunderman	D728,562 S	5/2015	Park et al.
D473,818 S	4/2003	Salvisberg	D728,624 S	5/2015	Akana et al.
6,655,831 B1	12/2003	Ruffieux	D729,091 S	5/2015	Nuovo et al.
D494,098 S	8/2004	Cohen	D729,237 S	5/2015	Fagnot
D496,589 S	9/2004	Perrenoud	D729,651 S	5/2015	Nuovo et al.
6,970,157 B2	11/2005	Siddeeq	D729,652 S	5/2015	Nuovo et al.
D513,195 S	12/2005	Gruosi	D729,653 S	5/2015	Nuovo et al.
7,004,469 B2	2/2006	Von Goeben	D729,654 S	5/2015	Nuovo et al.
D517,441 S	3/2006	Heatherly et al.	D729,667 S	5/2015	Nuovo et al.
D528,018 S	9/2006	Burton	D729,670 S	5/2015	Nuovo et al.
D528,439 S	9/2006	Burton	D729,671 S	5/2015	Nuovo et al.
D528,928 S	9/2006	Burton	D729,681 S	5/2015	Lee
7,106,197 B2	9/2006	Gaiotto et al.	D730,209 S	5/2015	Wolos et al.
D534,821 S	1/2007	Chen	D730,210 S	5/2015	Song
D535,055 S	1/2007	Been et al.	D731,346 S	6/2015	Akana et al.
D535,205 S	1/2007	Frederick et al.	D731,482 S	6/2015	Song
D536,265 S	2/2007	Reynoso	D732,022 S	6/2015	Song
D538,687 S	3/2007	Komulainen	D732,416 S	6/2015	Akana et al.
D549,602 S	8/2007	Oberrieder et al.	9,060,683 B2	6/2015	Tran
D550,105 S	9/2007	Oberrieder et al.	D733,598 S	7/2015	Just et al.
D558,227 S	12/2007	Cho et al.	D733,706 S	7/2015	Song
D559,723 S	1/2008	Kraus et al.	D734,327 S	7/2015	Song
D560,520 S	1/2008	Oberrieder et al.	D734,330 S	7/2015	Huang et al.
D566,580 S	4/2008	Giorgio	D734,331 S	7/2015	Wu et al.
D569,282 S	5/2008	Daniel	D736,652 S	8/2015	Isaacs et al.
D572,266 S	7/2008	Anderson et al.	D737,156 S	8/2015	Akana et al.
D573,905 S	7/2008	Poirier	D737,157 S	8/2015	Akana et al.
D574,735 S	8/2008	Landman et al.	D737,158 S	8/2015	Akana et al.
D578,922 S	10/2008	Hoshino	D737,159 S	8/2015	Akana et al.
D581,826 S	12/2008	Molyneux	D738,236 S	9/2015	Song
D584,170 S	1/2009	Morrison	D738,237 S	9/2015	Song
D586,823 S	2/2009	Anderson et al.	D739,780 S	9/2015	Akana et al.
D588,487 S	3/2009	Hartzband	9,141,087 B2	9/2015	Brown et al.
D589,375 S	3/2009	Tang	D741,726 S	10/2015	Akana et al.
D596,610 S	7/2009	Hou	D744,356 S	12/2015	Akana et al.
D599,680 S	9/2009	Schoepfer	D745,421 S	12/2015	Akana et al.
7,591,581 B2	9/2009	Lovegrove et al.	D746,707 S	1/2016	Akana et al.
D603,724 S	11/2009	Jorst et al.	D746,868 S	1/2016	Akana et al.
D610,476 S	2/2010	Daniel	D747,997 S	1/2016	Akana et al.
D612,748 S	3/2010	Jorst et al.	D748,008 S	1/2016	Akana et al.
D616,417 S	5/2010	Liao	D748,009 S	1/2016	Akana et al.
7,708,457 B2	5/2010	Girardin et al.	D748,010 S	1/2016	Akana et al.
D637,094 S	5/2011	Cobbett et al.	D748,527 S	2/2016	Akana et al.
D637,918 S	5/2011	Cobbett et al.	D749,009 S	2/2016	Akana et al.
D645,360 S	9/2011	Kiser et al.	D749,460 S	2/2016	Akana et al.
D650,706 S	12/2011	Zanella et al.	D750,525 S	3/2016	Akana et al.

US D947,692 S

D751,070 S	3/2016	Akana et al.
D752,044 S	3/2016	Akana et al.
D753,008 S	4/2016	Akana et al.
D755,070 S	5/2016	Akana et al.
D755,662 S	5/2016	Akana et al.
D756,357 S	5/2016	Akana et al.
D756,822 S	5/2016	Akana et al.
D756,824 S	5/2016	Akana et al.
D757,583 S	5/2016	Roush et al.
D758,363 S	6/2016	Akana et al.
D759,011 S	6/2016	Akana et al.
D759,121 S	6/2016	Akana et al.
D759,725 S	6/2016	Akana et al.
D764,340 S	8/2016	Akana et al.
D765,655 S	9/2016	Tao
D771,035 S	11/2016	Akana et al.
D771,504 S	11/2016	Lai et al.
D777,163 S	1/2017	Akana et al.
9,551,608 B2	1/2017	Cho et al.
D779,993 S	2/2017	Akana et al.
D782,537 S	3/2017	Akana et al.
D784,326 S	4/2017	Akana et al.
D790,517 S	6/2017	Akana et al.
D797,809 S	9/2017	Akana et al.
D802,465 S	11/2017	Dukerschein et al.
D802,466 S	11/2017	Yu et al.
D807,765 S	1/2018	Akana et al.
D813,058 S *	3/2018	Kanikananta D10/32
D821,246 S	6/2018	Akana et al.
D824,273 S	7/2018	Akana et al.
D875,576 S	2/2020	Akana et al.
D882,563 S *	4/2020	Akana D14/344
D916,699 S *	4/2021	Akana D14/344
2010/0061191 A1	3/2010	Chen
2014/0096345 A1	4/2014	Tschumi
2014/0098649 A1	4/2014	Tschumi
2017/0046451 A1	2/2017	Akana et al.
2018/0017943 A1	1/2018	Huang et al.
2018/0235327 A1	8/2018	Bayley et al.

FOREIGN PATENT DOCUMENTS

CN	2052214 U	2/1990
CN	D3118417	8/1999
CN	2353201 Y	12/1999
CN	D3184158	4/2001
CN	D3210240	11/2001
CN	D3229132	3/2002
CN	D3329483	10/2003
CN	302900930 S	8/2014
CN	203859742 U	10/2014
CN	303451390 S	11/2015
CN	303451393 S	11/2015
CN	303451413 S	11/2015
CN	303561799 S	1/2016
CN	205247081 U	5/2016
CN	303660915 S	5/2016
CN	205547667 U	9/2016
CN	206101835 U	4/2017
CN	304332089 S	10/2017
CN	206630111 U	11/2017
CN	107495924 A	12/2017
CN	107713198 A	2/2018
CN	304612337 S	5/2018
CN	207706386 U	8/2018
CN	108523325 A	9/2018
CN	207979138 U	10/2018
CN	304868711 S	10/2018
DE	10229050 C1	6/2003
EM	003313071-0002	10/2016
EM	005792520-0001	10/2018
EM	005792520-0003	10/2018
EM	005321213-0001	1/2019
EM	005321213-0002	1/2019
EM	005792520-0002	1/2019
EP	1098231 A1	5/2001
EP	2636328 A1	9/2013
ES	001359301-0002	6/2013
GB	618917 A	3/1949

GB	1059756	5/1989
GB	2082277	6/1999
GB	3005267	8/2002
HK	0501949.8	12/2005
HK	1001605.7	12/2010
JP	H02310580 A	12/1990
JP	D1058606	1/2000
JP	D1095230	1/2001
JP	D1119440	8/2001
JP	D1127245	11/2001
JP	D1127493	11/2001
JP	D1204216	5/2004
JP	D1218830	10/2004
JP	D1236213	4/2005
JP	2005171013 A	6/2005
JP	D1264904	3/2006
JP	D1281287	9/2006
JP	2006288484 A	10/2006
JP	D1302423	6/2007
JP	D1350052	2/2009
JP	D1350063	2/2009
JP	D1368561	8/2009
JP	D1423962	9/2011
JP	D1433113	2/2012
JP	D1448195	8/2012
JP	D1462747	2/2013
JP	D1466391	4/2013
JP	D1477307	8/2013
JP	D1503504	7/2014
JP	D1511746	11/2014
JP	D1511747	11/2014
JP	D1518040 S	2/2015
WO	WO-DM/047140-001	5/1999
WO	WO-DM/048231-004	8/1999
WO	WO-DM/049177-024	11/1999
WO	WO-DM/049512-006	12/1999
WO	WO-DM/052261-005	8/2000
WO	WO-DM/057659-011	11/2001
WO	WO-DM/057659-012	11/2001
WO	WO-DM/058718-003	3/2002
WO	WO-DM/064910-005	3/2004
WO	WO-DM/066491-004	3/2005
WO	WO-DM/068702-001	9/2007
WO	WO-DM072215	9/2009
WO	WO-DM-077215	9/2009
WO	WO-DM/077452-004	6/2011
WO	WO-DM/076656-001	9/2011
WO	WO-DM/080373-001	3/2013
WO	WO-DM/080997-001	6/2013
WO	WO-2013182397 A1	12/2013
WO	WO-2014135709 A2	9/2014
WO	WO-D0864610001	5/2016

OTHER PUBLICATIONS

22mm Interlocking Stainless Steel Mesh Divers Watch Band Bracelet, XX, <<http://www.strapcode.com/store/22mm-interlocking-stainless-steel-mesh-divers-watch-band-bracelet-p-1255.html>>, accessed on Dec. 4, 2014.

28mm Reform Stainless Steel “Shark” Polished Mesh Watch Band Deployant Strap, <http://www.ebay.com/itm/28mm-Reform-Stainless-Steel-SHARK-Polished-Mesh-Watch-Band-Deployant-Strap-/231397551849?pt=US_Watch_Bands&hash=item35e05e6ee9>, accessed Dec. 4, 2014.

Adams, Ariel, “Max Bill By Junghans Watches For 2010,” A Blog to Watch.com, <<http://www.ablogtowatch.com/max-bill-by-junghans-watches-for-2010/>>, dated Mar. 25, 2010.

Alvarez, Edgar, “Basis Peak to get its smartwatch-like features in December,” engadget.com, <<http://www.engadget.com/2014/11/20/basis-peak-new-features/>>, dated Nov. 20, 2014, accessed Dec. 15, 2014.

“Brand New Ikepod Grey or Orange Rubber Strap , Hemipode , Marc Newson Design,” accessed at <http://www.ebay.com/itm/BRAND-NEW-IKEPOD-GREY-OR-ORANGE-RUBBER-STRAP-HEMIPODE-MARC-NEWSON-DESIGN-/291133335907>, last updated Nov. 30, 2014, 3 pages.

- Calar Zhao, "SW102 Bluetooth bracelet watch smart healthy Silicone Wristband sports watch Time Display/Caller ID/ alarm/ Pedometer + Freeship", accessed at (<http://www.aliexpress.com/item/SW102-bluetooth-bracelet-watch-smart-healthy-Silicone-Wristband-sports-watch-Time-Display-Caller-ID-alarm-Pedometer/2039225352.html>), accessed on Nov. 26, 2014.
- Cool Material, "Braun Square Digital Watch," <<http://web.archive.org/web/20111125033014/http://coolmaterial.com/style/braun-square-digital-watch/>>, dated Nov. 25, 2011, accessed Dec. 18, 2014.
- Emily, "Nixon—The Newton Digital," <<http://www.freshnessmag.com/2009/09/08/nixon-the-newton-digital/>>, freshnessmag.com, dated Sep. 8, 2009, accessed Oct. 9, 2014.
- etsy.com, "1 Set Silver End Cap Clasp—Findings Large Toggle Clasp End Caps Buckle Connector with Five Inside Loops for Jewelry Making 26mm," <<http://www.etsy.com/listing/101269004/1-set-silver-end-cap-clasp-findings?ref=market>>, Listed on Aug. 29, 2014, accessed Oct. 9, 2014.
- Fitbit, "Fitbit Surge™ Fitness Super Watch" <<https://www.fitbit.com/surge>>, accessed Dec. 15, 2014.
- geekbuying.com, "Makibes unisex red led digital wrist watch with square case silicone watchband—white," <<http://www.geekbuying.com/item/Unisex-Red-LED-Digital-Wrist-Watch-with-Square-Case-Silicone-Watchband---White-326443.html>>, accessed Oct. 9, 2014.
- Hadley Roma, Hadley-Roma Men's MB3836RWSE 20 20-mm Stainless Steel Heavy Mesh Watch Strap, <http://www.amazon.com/Hadley-Roma-MB3836RWSE-20-20-mm-Stainless/dp/B005EJFWFA/ref=sr_1_213?ie=UTF8&qid=1416670549&sr=8-213&keywords=watch+band>, accessed Dec. 4, 2014.
- Haedges, "1 Set Silver End Cap Clasp—Findings Large Toggle Clasp End Caps Buckle Connector with Five Inside Loops for Jewelry Making 26mm," <<http://www.etsy.com/listing/101269004/1-set-silver-end-cap-clasp-findings?ref=market>>, Listed on Aug. 29, 2014, accessed Oct. 9, 2014.
- Hodinkee.com, "Apple iPod Nano Now Available With Mickey Mouse Dial, Also Cheesy, Mechanically Inaccurate Open-Worked Dial," <<http://web.archive.org/web/20111006043916/http://www.hodinkee.com/blog/2011/10/5/apple-ipod-nano-now-available-with-mickey-mouse-dial-also-ch.html>>, dated Oct. 6, 2011, accessed Dec. 18, 2014.
- Homego, "M6 Silver Smart Watch Cell Phone 1.54 inch Bluetooth 3.0 Dialer Outdoor Sports Pedometer," amazon.com, <<http://www.amazon.com/Silver-Bluetooth-Dialer-Outdoor-Pedometer/dp/B00MQTBGK6>>, accessed Dec. 15, 2014.
- Ikepod, "Original Ikepod Watch With GMT—Marc Newson Design," Watchbox.be, <<http://www.watchbox.be/prod/Others-Watches/Marc%20Newson%20Design/item7165.htm#.VJLm2fAo5D8>>, accessed Dec. 17, 2014.
- "Innovative Components Knurled Knob K4 Master," posted at knobsource.com/catalog_prints.html, Posting date unknown, Drawing dated Nov. 27, 2007. Available from Internet: <<http://www.knobsource.com/pdf/k4-masterrev-0.pdf>>. Retrieved Oct. 10, 2017.
- LG Life's Good, "LG G Watch (W100)," <<http://www.lg.com/US/smart-watches/lg-W100-g-watch>>, accessed Dec. 18, 2014.
- "Louis Moinet Geograph," posted at worldwatchreview.com, dated Mar. 14, 2011. Available from Internet: <<http://www.worldwatchreview.com/2011/03/14/louis-moinet-geograph-limited-edition/>>. Retrieved Oct. 10, 2017.
- MbSPB, accessed at <http://www.mbs-p-b.com/mbs-p-b/2015/5/25/apple-watch-sport-band>, Posted on May 27, 2015, accessed on Mar. 29, 2018.
- Metawatch, "FRAME—Black (MW3005)," <<http://meta.watch/collections/smartwatch-all/products/frame-ss-black-leather>>, accessed Dec. 15, 2014.
- Omate, "Omate TrueSmart: Water-resistant standalone Smartwatch 2.0," <<http://www.kickstarter.com/projects/omate/omate-truesmart-water-resistant-standalone-smartwa>>, dated Aug. 21, 2013, accessed Oct. 8, 2014.
- Omate, "The TrueSmart™ is the world's first standalone smartwatch 2.0 running on top of Android and OUI 2.0," <<http://www.omate.com/product.html>>, accessed Dec. 15, 2014.
- [Online] <http://blogs-images.forbes.com/robertpearl/files/2014/10/Apple-Watch-health-fitness-white-blue-1940x1231.jpg>. Retrieved Feb. 4, 2015.
- [Online] <http://i1.wp.com/cdn.bgr.com/2015/04/apple-watch-7.jpg?w=625>. Retrieved Dec. 9, 2015.
- [Online] http://jewelrynewsnetwork.blogspot.com/2014_01_01_archive.html. Retrieved Mar. 17, 2015. Posted online Jan. 30, 2014.
- [Online] https://lh6.googleusercontent.com/zOUR6N5g8flH1ouyyCpl7PGTLCMGI_hor1fADdMLMKdwxkbhVSUIzk-xdirsUk-KxTsHxN_In6WDNHZLo8HNhjGB7GWEXqtMA5bngmvH_MByEitDmuAc0TuFk86vYCArcw. Retrieved Feb. 17, 2015.
- [Online] <https://s-media-cache-ak0.pinning.com/736x/bd/9d/7d/bd9d7d7b5618e1518d744dd28c999fc4.jpg>. Retrieved Mar. 31, 2015.
- [Online] https://s.yimg.com/cd/resizer/2.0/FIT_TO_WIDTH-w500/8088fe4930fb9d97123f776d1cdcb7ca585d7485.jpg. Retrieved Feb. 17, 2015.
- [Online] http://timerecs.com/imgs/a/c/s/v/b/ikepod_hemipode_marc_newson_marcus_limited_limited_edition_black_dlc_chronograph_46mm_5_lgw.jpg. Retrieved Mar. 31, 2015.
- [Online] <http://www.ablogtowatch.com/10-interesting-facts-marc-newson-watch-design-work-ikepod/>. Retrieved Mar. 17, 2015. Posted online Sep. 9, 2014.
- [Online] <http://www.imedicalapps.com/wp-content/uploads/2014/09/watch-dm.jpg>. Retrieved Feb. 4, 2015.
- Pebble, "Pebble Smartwatch," getpebble.com, <<https://getpebble.com/checkout>>, accessed Dec. 15, 2014.
- Ruano, L., "Ikepod Solaris Watch by Marc Newson," Hypebeast.com, <<http://hypebeast.com/2009/1/ikepod-solaris-watch-by-marc-newson>>, dated Jan. 12, 2009.
- Samsung, "Samsung Gear™ 2 Charcoal Black SM-R3800VSAXAR," <<http://www.samsung.com/us/mobile/wearable-tech/SM-R3800VSAXAR>>, accessed Dec. 15, 2014.
- Samsung, "Samsung Gear S™, (Sprint), Black SM-R750PZKASPR," <<http://www.samsung.com/us/mobile/wearable-tech/SM-R750PZKASPR>>, accessed Dec. 15, 2014.
- Samsung, "Galaxy Gear™ Live, Black SM-R3820ZKAXAR," <<http://www.samsung.com/us/mobile/wearable-tech/SM-R3820ZKAXAR>>, accessed Dec. 15, 2014.
- Sony, "Smartwatch," <<http://www.sonymobile.com/us/products/accessories/smartwatch/>>, accessed Dec. 15, 2014.
- Sony, "Smartwatch 3 SWR50," <<http://www.sonymobile.com/US/products/smartwear/smartwatch-3-swr50/>>, accessed Dec. 15, 2014.
- Stables, James, "Clevercare smartwatch aims to help Alzheimer's suffers and carers: Revamped Sony SmartWatch 2 designed for users that need care," Wearable News, <<http://www.wearable.com/wearable-tech/clevercare-smartwatch-aims-to-help-alzheimers-suffers-and-carers-585>>, dated Dec. 15, 2014.
- Team Luxe, "Collector's Edition: Hermes Carre H Watch," Luxpresso, <<http://luxpresso.com/news-couture/collectors-edition-hermes-carre-h-watch/2814>>, dated Jan. 10, 2011, accessed Dec. 18, 2014.
- Ted Baker, "Ted Baker Men's TE1054 Time Flies Contemporary Square Digital Case Watch," <<http://www.amazon.com/Ted-Baker-TE1054-Contemporary-Digital/dp/B0045CRTYO%3FSubscriptionId%3DAKIAJ3U4YRIBWCGGKZ2A%26tag%3Dfrases365-20%26linkCode%3Dsp1%26camp%3D2025%26creative%3D165953%26creativeASIN%3DB0045CRTYO>>, accessed Oct. 9, 2014.
- The Alt Team, "Ziiiro Celeste Watch Hands-On", Dec. 12, 2012, (<http://www.gadgetmac.com/alt/ziiiro-celeste-watch-hands-on.html>), accessed Dec. 4, 2014.
- The Best Third-party Apple Watch Bands, Dec. 21, 2016 (dated by WayBack Machine), Retrieved from Internet, (URL: <https://watchaware.com/best-apple-watch-bands>).
- Velazco, Chris, "ASUS ZenWatch review: subtle and stylish, with a few shortcomings," Engadget.com, <<http://www.engadget.com/2014/12/11/asus-zenwatch-review/>>, dated Dec. 11, 2014, accessed Dec. 15, 2014.
- Watches Infoniac.com, "Hermes Carre H Watch—Extremely Contemporary Design," <<http://watches.infoniac.com/carre-h-watch-hermes.html>>, dated Aug. 13, 2010, accessed Dec. 18, 2014.
- Watchismo, "Braun BN0042 Black Date Leather," <<http://web.archive.org/web/20130815073830/http://www.watchismo.com/braun-bn0042bkbk.aspx>>, dated Aug. 15, 2013, accessed Dec. 18, 2014.

Primary Examiner — Antoine Duval Davis
(74) *Attorney, Agent, or Firm* — Sterne, Kessler,
Goldstein & Fox P.L.L.C.

(57) **CLAIM**

The ornamental design for a wearable device, as shown and described.

DESCRIPTION

FIG. 1 is a front view of a wearable device showing the claimed design;

FIG. 2 is a rear view thereof;

FIG. 3 is a right side view thereof;

FIG. 4 is a left side view thereof;

FIG. 5 is a top view thereof; and,

FIG. 6 is a bottom view thereof.

The oblique shade lines in the figures show transparency or translucency.

The broken lines in the figures show portions of the wearable device that form no part of the claimed design.

1 Claim, 4 Drawing Sheets

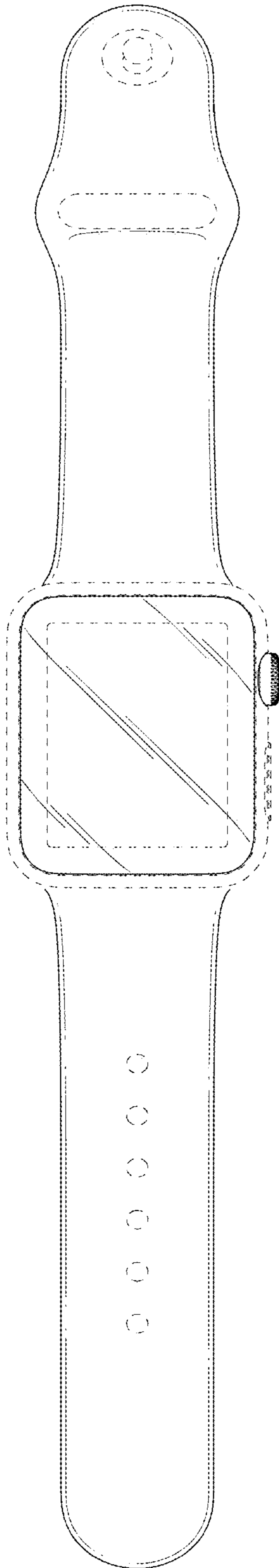


FIG. 1

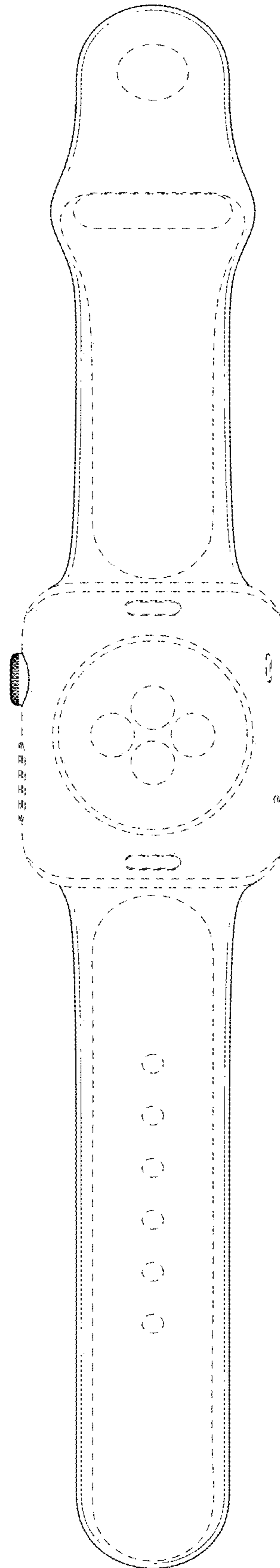


FIG. 2

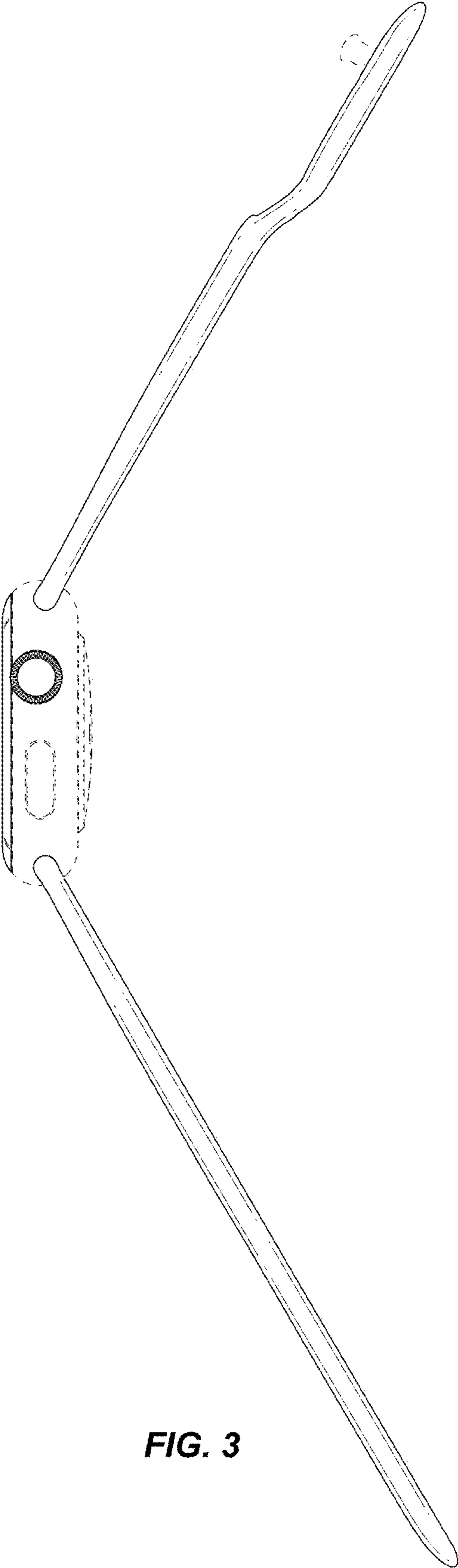


FIG. 3

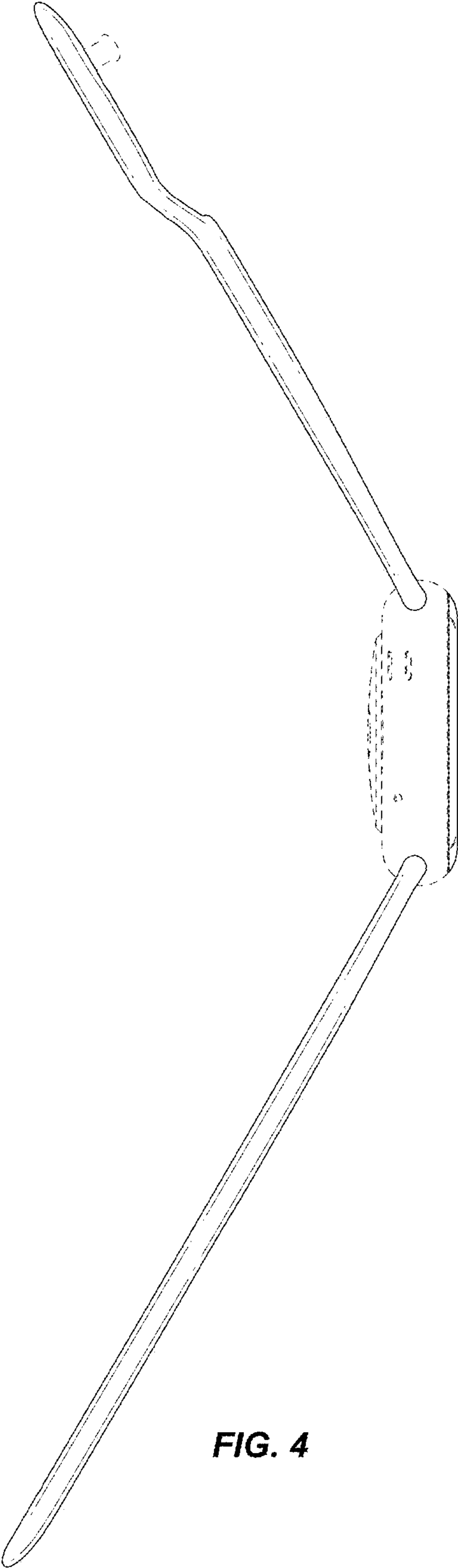


FIG. 4

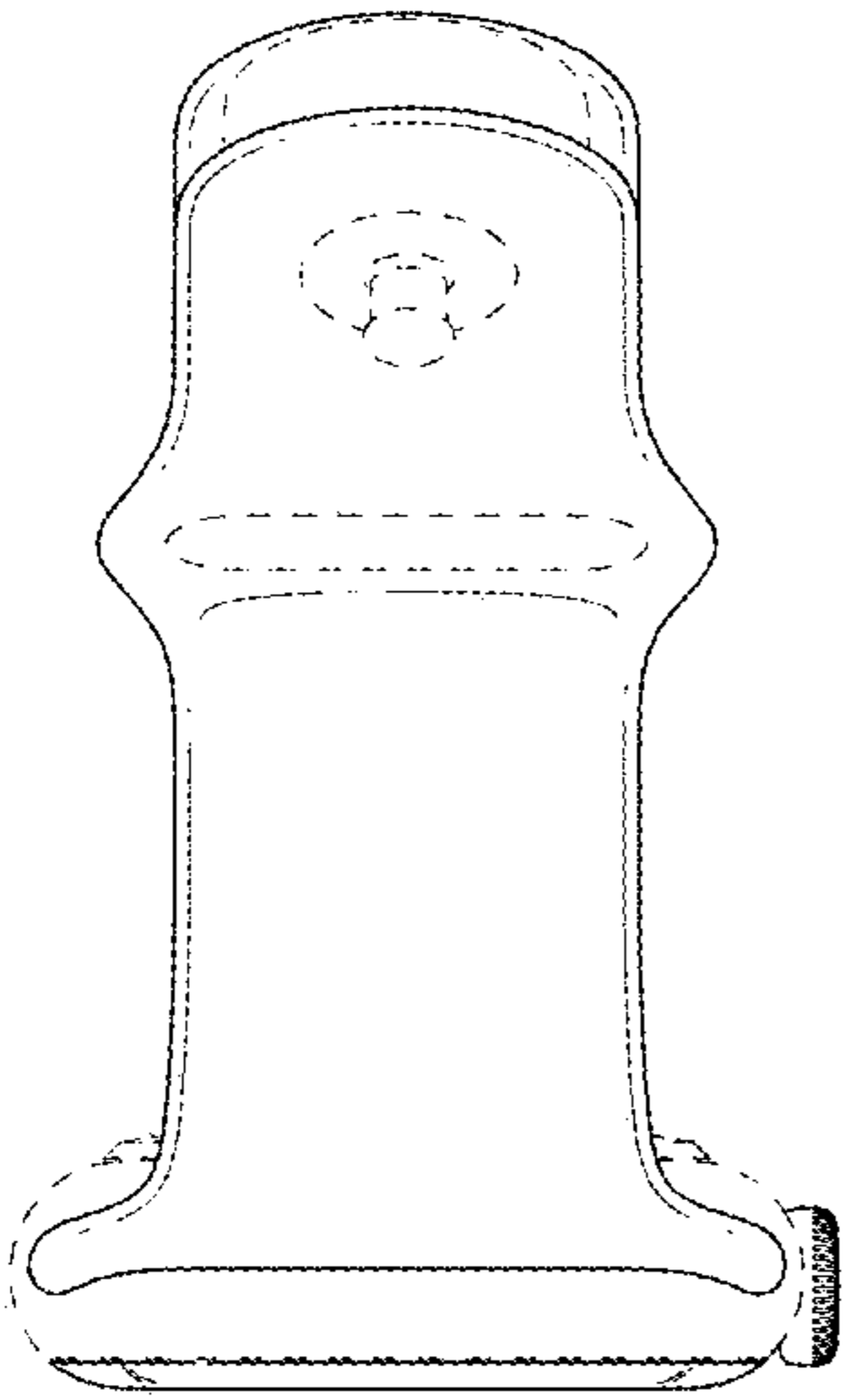


FIG. 5

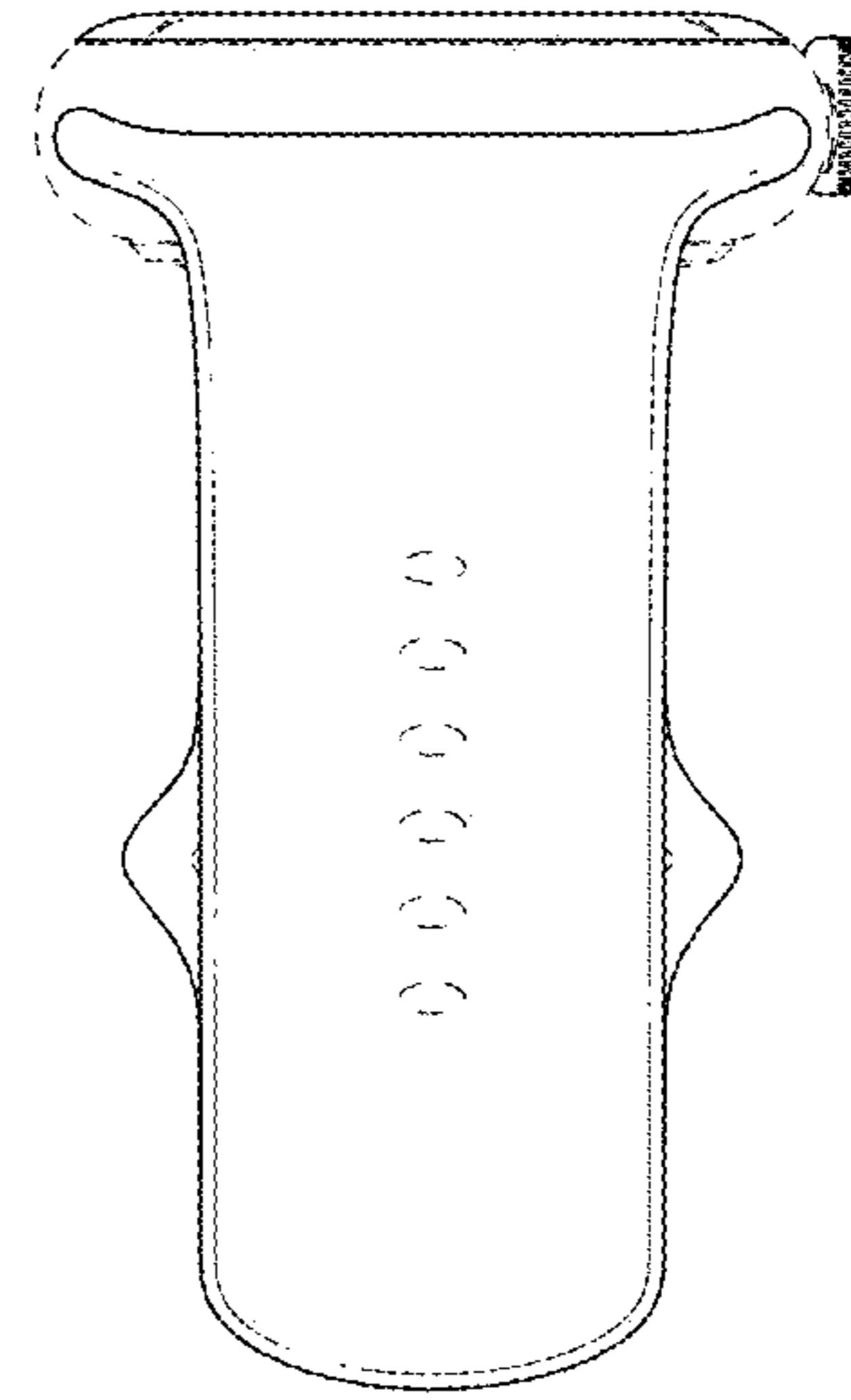


FIG. 6