



US00D947690S

(12) **United States Design Patent** (10) **Patent No.:** **US D947,690 S**
Gross et al. (45) **Date of Patent:** **** Apr. 5, 2022**

(54) **INTEGRATED SENSOR ASSEMBLY**

D375,070 S * 10/1996 Yeabower D12/187
6,229,434 B1 5/2001 Knapp et al.
6,361,178 B1 3/2002 Lang et al.
6,592,230 B2 7/2003 Dupay
(Continued)

(71) Applicant: **Waymo LLC**, Mountain View, CA (US)

(72) Inventors: **Jared Gross**, Belmont, CA (US);
Robert Veitch, San Francisco, CA (US); **YooJung Ahn**, Mountain View, CA (US); **Zhaokun Wang**, Santa Ana, CA (US)

FOREIGN PATENT DOCUMENTS

WO 0145067 A1 6/2001

(73) Assignee: **Waymo LLC**, Mountain View, CA (US)

OTHER PUBLICATIONS

teslarati.com, "Tesla Semi's vast array of Autopilot cameras and sensors for convoy mode spotted", Nov. 26, 2017, retrieved from: <https://www.teslarati.com/tesla-semi-autopilot-cameras-convoy-technology/> on May 6, 2020 (Year: 2017).

(Continued)

(**) Term: **15 Years**

Primary Examiner — Antoine Duval Davis

(21) Appl. No.: **29/729,714**

(74) *Attorney, Agent, or Firm* — Banner & Witcoff, Ltd.

(22) Filed: **Mar. 30, 2020**

Related U.S. Application Data

(62) Division of application No. 29/663,579, filed on Sep. 17, 2018, now Pat. No. Des. 882,426.

(57) **CLAIM**

The ornamental design for an integrated sensor assembly, as shown and described.

(51) **LOC (13) Cl.** **10-04**

(52) **U.S. Cl.**
USPC **D10/65; D10/70; D12/187**

DESCRIPTION

(58) **Field of Classification Search**
USPC D10/65, 70; D12/187, 188
CPC G01S 7/4808; G01S 7/481; G01S 7/4813; G01S 17/93; G01S 17/936; G08G 1/16; B60R 1/12; B60R 1/074; B60R 1/072; B60R 1/06; B60R 1/003; B60R 1/00; B60R 1/0605; B60R 1/0607; B60R 1/0612; B60R 11/04; B60R 11/0258; B60R 11/0264; B60R 2001/1223; B60R 2011/004; B62D 15/00; B62D 15/024
See application file for complete search history.

This application is related to U.S. design application Ser. No. 29/729,704, filed concurrently herewith, entitled Integrated Sensor Assembly, the entire disclosure of which is incorporated by reference.

FIG. 1 is a front perspective view of an integrated sensor assembly according to our design;
FIG. 2 is a front elevation view thereof;
FIG. 3 is a back elevation view thereof;
FIG. 4 is a right side elevation view thereof;
FIG. 5 is a left side elevation view thereof;
FIG. 6 is a top plan view thereof; and,
FIG. 7 is a bottom plan view thereof.

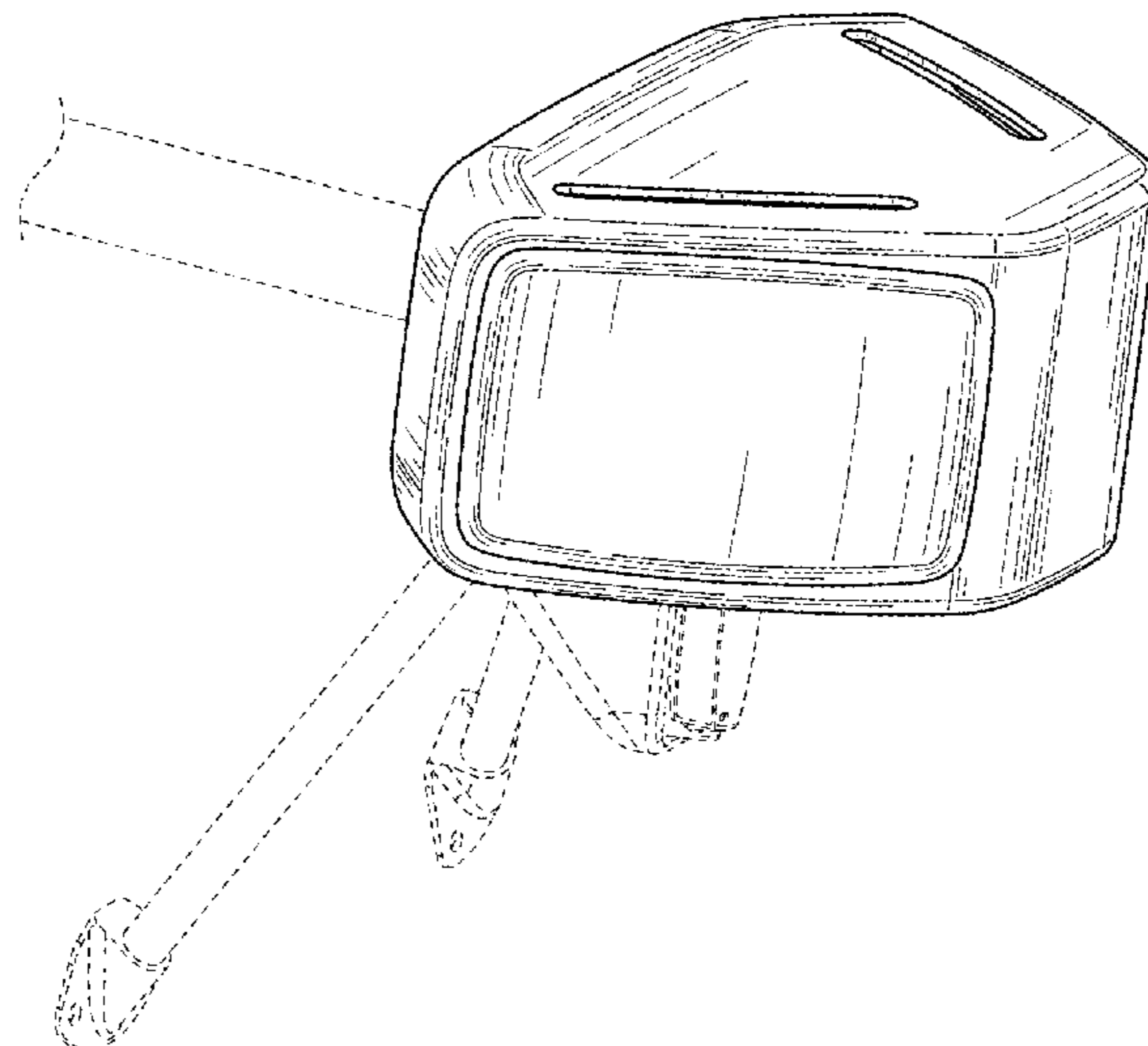
The broken lines illustrate portions of the integrated sensor assembly that form no part of the claimed design.

(56) **References Cited**

U.S. PATENT DOCUMENTS

D250,332 S * 11/1978 Aiga D12/187
D356,537 S * 3/1995 Eisenbraun D12/187

1 Claim, 4 Drawing Sheets



(56)

References Cited

U.S. PATENT DOCUMENTS

D636,308 S * 4/2011 Reimchen D12/187
 8,602,573 B2 12/2013 Brester
 9,566,911 B2 2/2017 Greenwood et al.
 9,625,582 B2 4/2017 Gruver et al.
 D815,577 S * 4/2018 Chiang D12/187
 2002/0035444 A1 3/2002 Wilkerson et al.
 2008/0059015 A1 3/2008 Whittaker et al.
 2011/0127328 A1 6/2011 Warren
 2014/0063231 A1 3/2014 Brester
 2017/0158136 A1 6/2017 Garcia Solache
 2017/0210297 A1 7/2017 Kim et al.
 2018/0032822 A1 2/2018 Frank et al.
 2018/0095473 A1 4/2018 Fakhfakh et al.
 2018/0267558 A1 9/2018 Tiwari et al.
 2018/0290594 A1 10/2018 Abdel-Rahman et al.
 2018/0329036 A1 11/2018 Huebner et al.
 2018/0350391 A1 12/2018 Moore et al.
 2018/0364717 A1 12/2018 Douillard et al.
 2018/0372875 A1 12/2018 Juelsgaard et al.
 2019/0072646 A1 3/2019 Zelený et al.
 2019/0168569 A1 6/2019 Lee
 2019/0170612 A1 6/2019 Clark et al.

2019/0189015 A1 6/2019 Gesch et al.
 2020/0064483 A1 2/2020 Li et al.
 2020/0145569 A1 5/2020 Wheeler et al.

OTHER PUBLICATIONS

“International Search Report and Written Opinion for Application No. PCT/US2018/066808 dated Mar. 28, 2019”, 14 pages.
 “Safety Technologies for Heavy Vehicles and Combinations”, Transport for NSW, transport.nsw.gov.au, Cat. No. 45094061, Jun. 2017, 36 pages.
 Delphi , “Delphi Integrated Radar and Camera System Racam”, retrieved from the Internet <www.delphi.com>, on Nov. 20, 2017, 1 page.
 Delphi , “Delphi Rear and Side Detection System”, retrieved from the Internet <www.delphi.com>, on Nov. 20, 2017, 1 page.
 Krok , “Ford Patent Application Cleverly Hides Lidar in Side Minors”, retrieved from the Internet <https://www.cnet.com/roadshow/news/ford-patent-applicaiton-lidar-in- . . . ,> on Nov. 20, 2018, 2 pages.
 Nyberg , “Stabilization Sensor Fusion and Path Following for Autonomous Reversing of a Full-scale Truck and Trailer System”, Department of Electrical Engineering, Linkoping University, 2016, 50 pages.

* cited by examiner

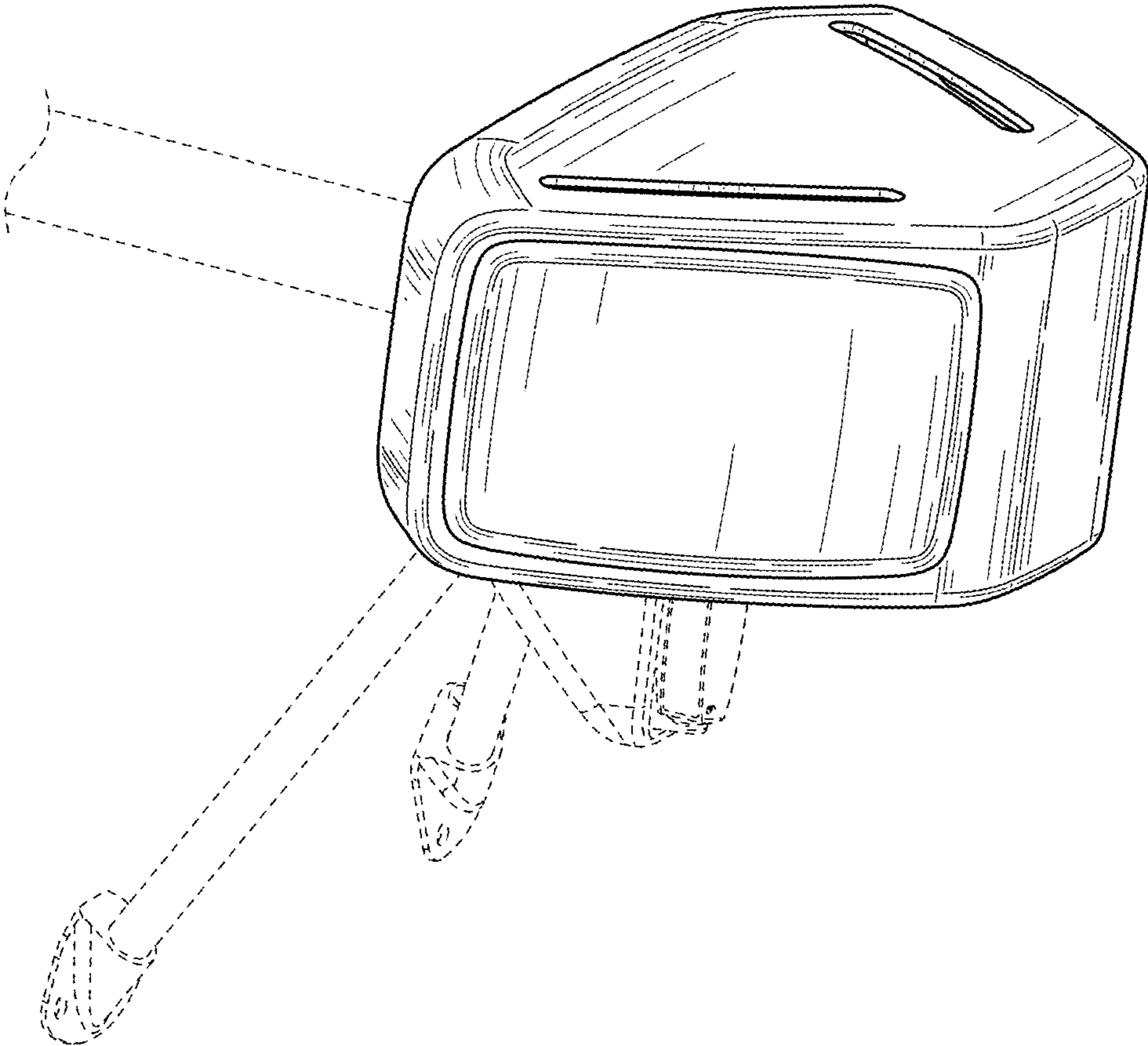


FIG. 1

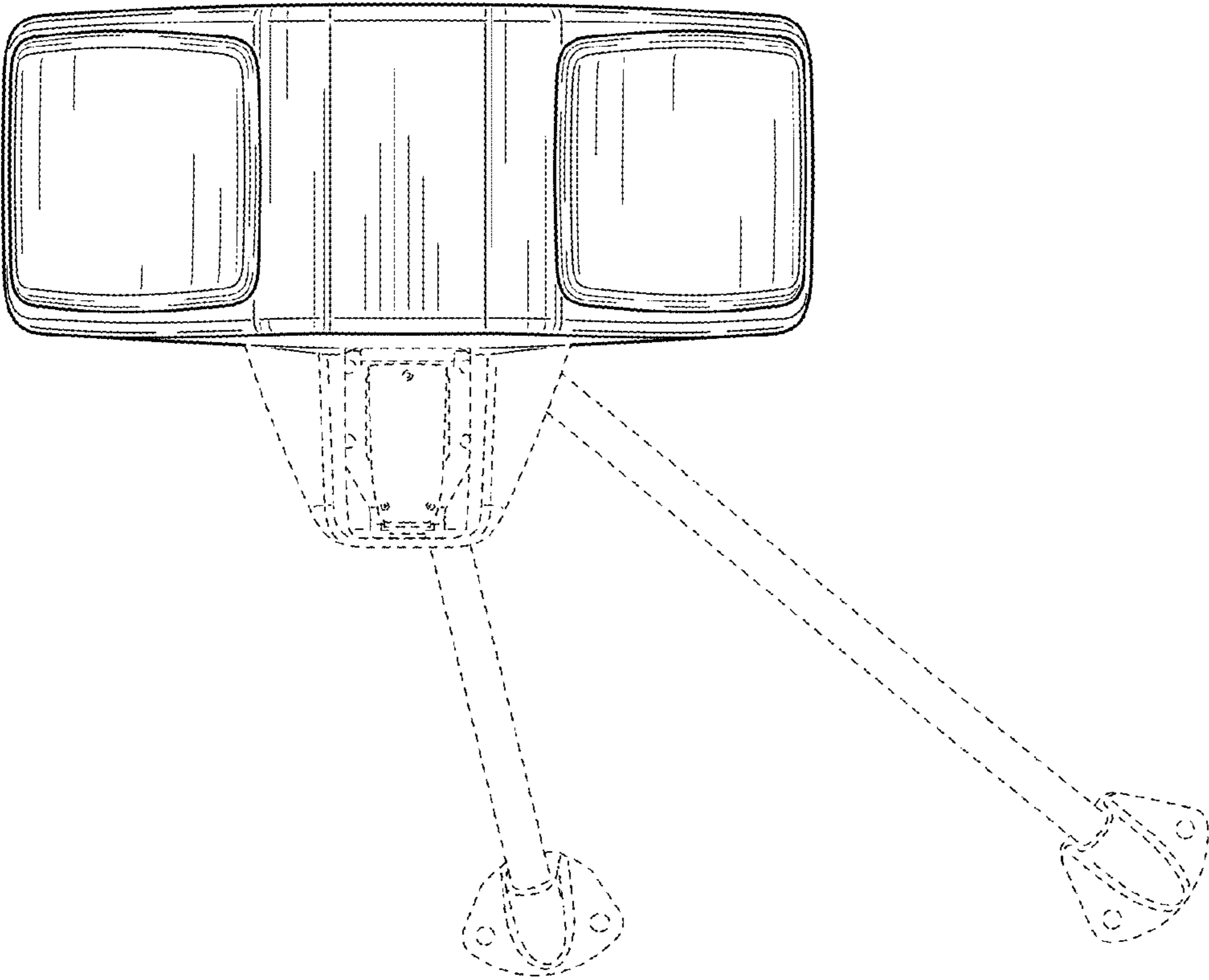


FIG. 2

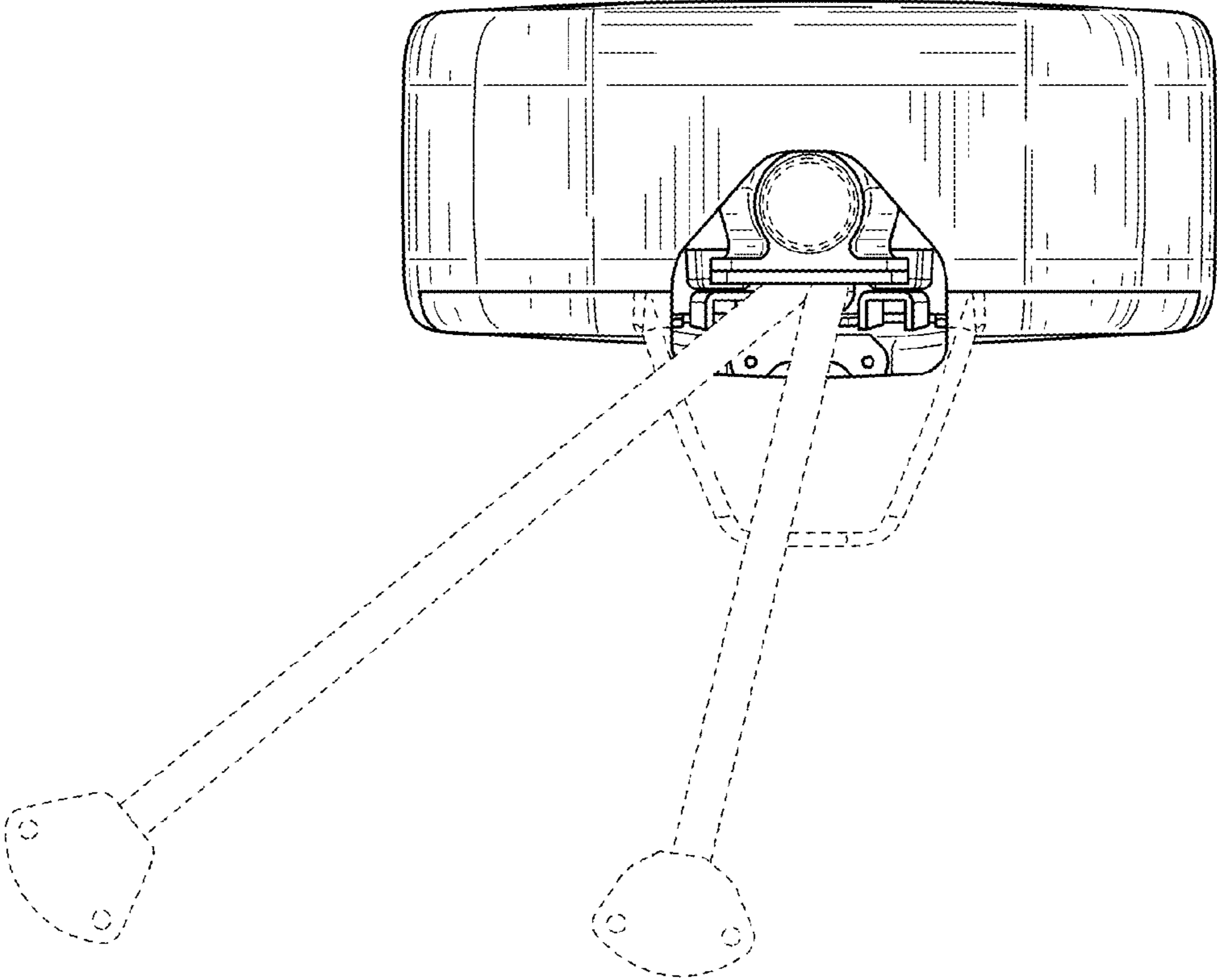


FIG. 3

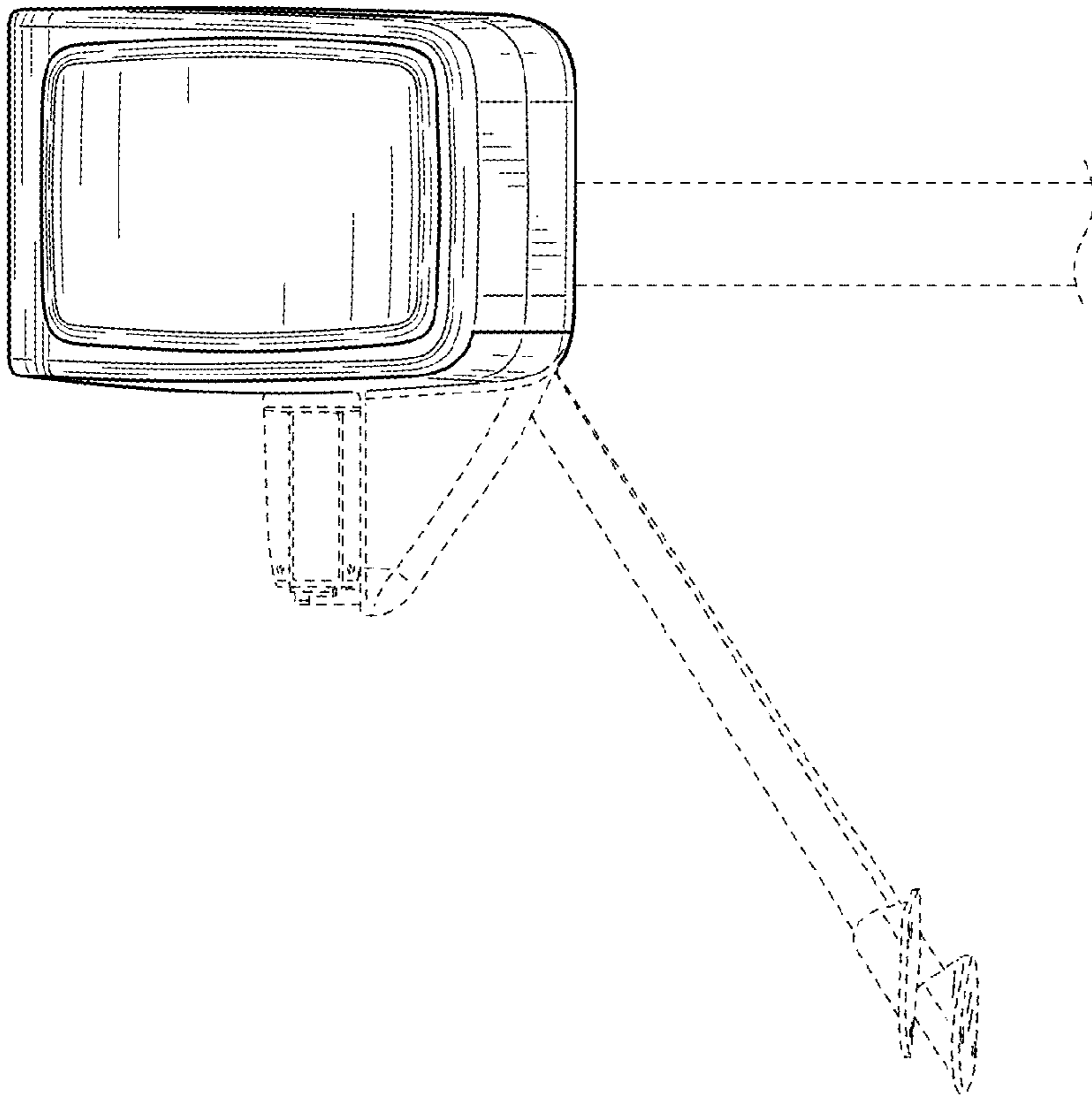


FIG. 4

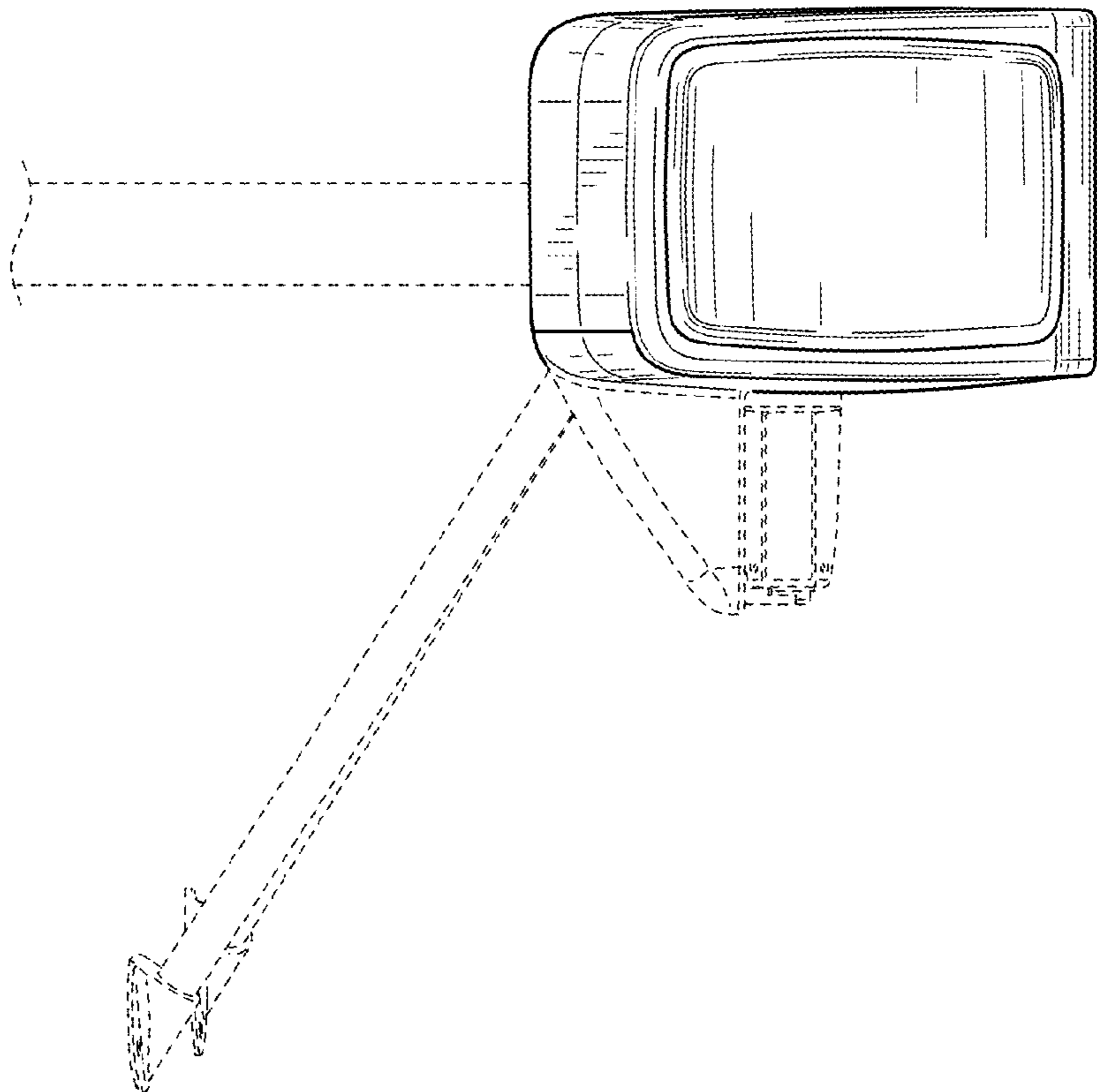


FIG. 5

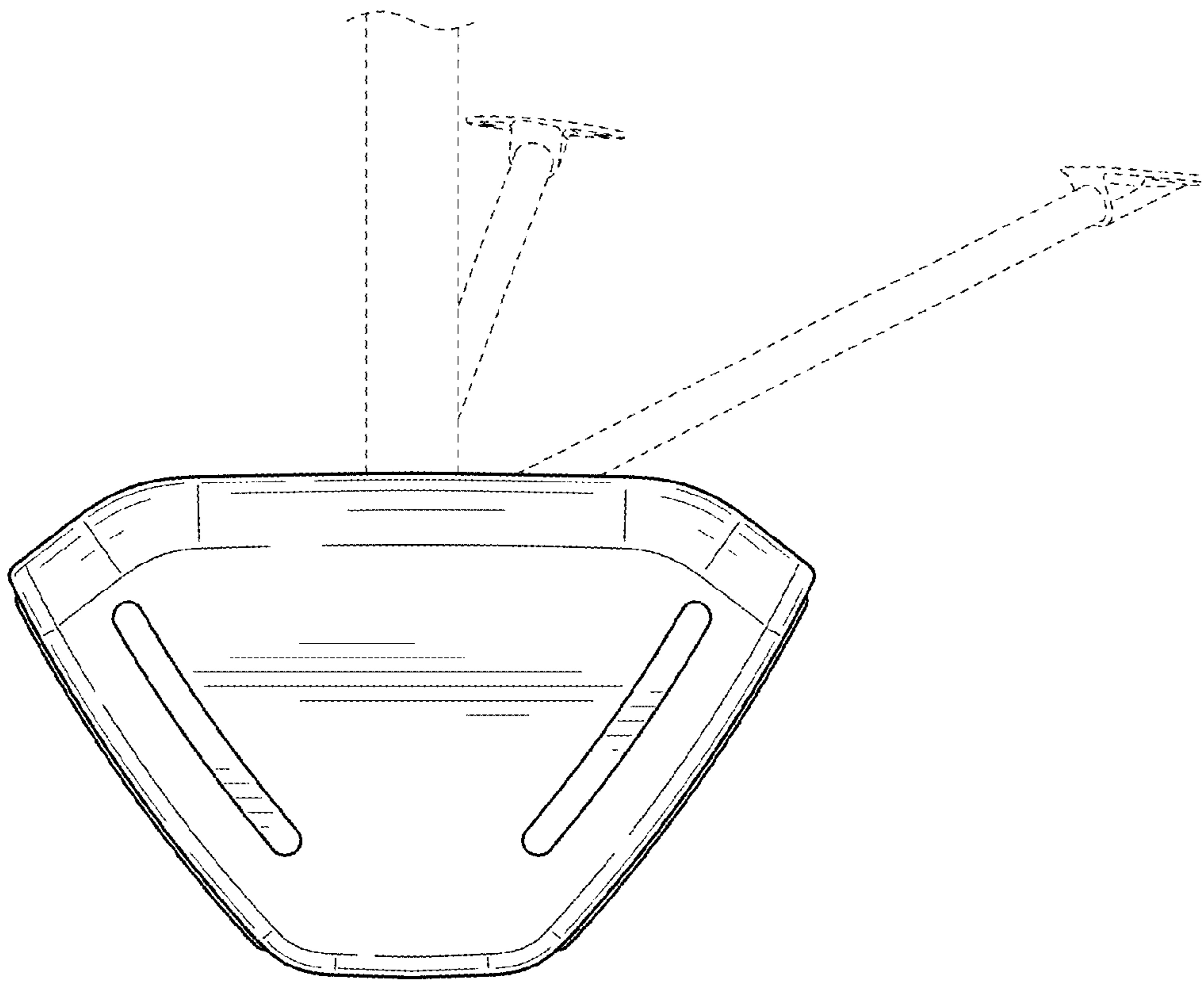


FIG. 6

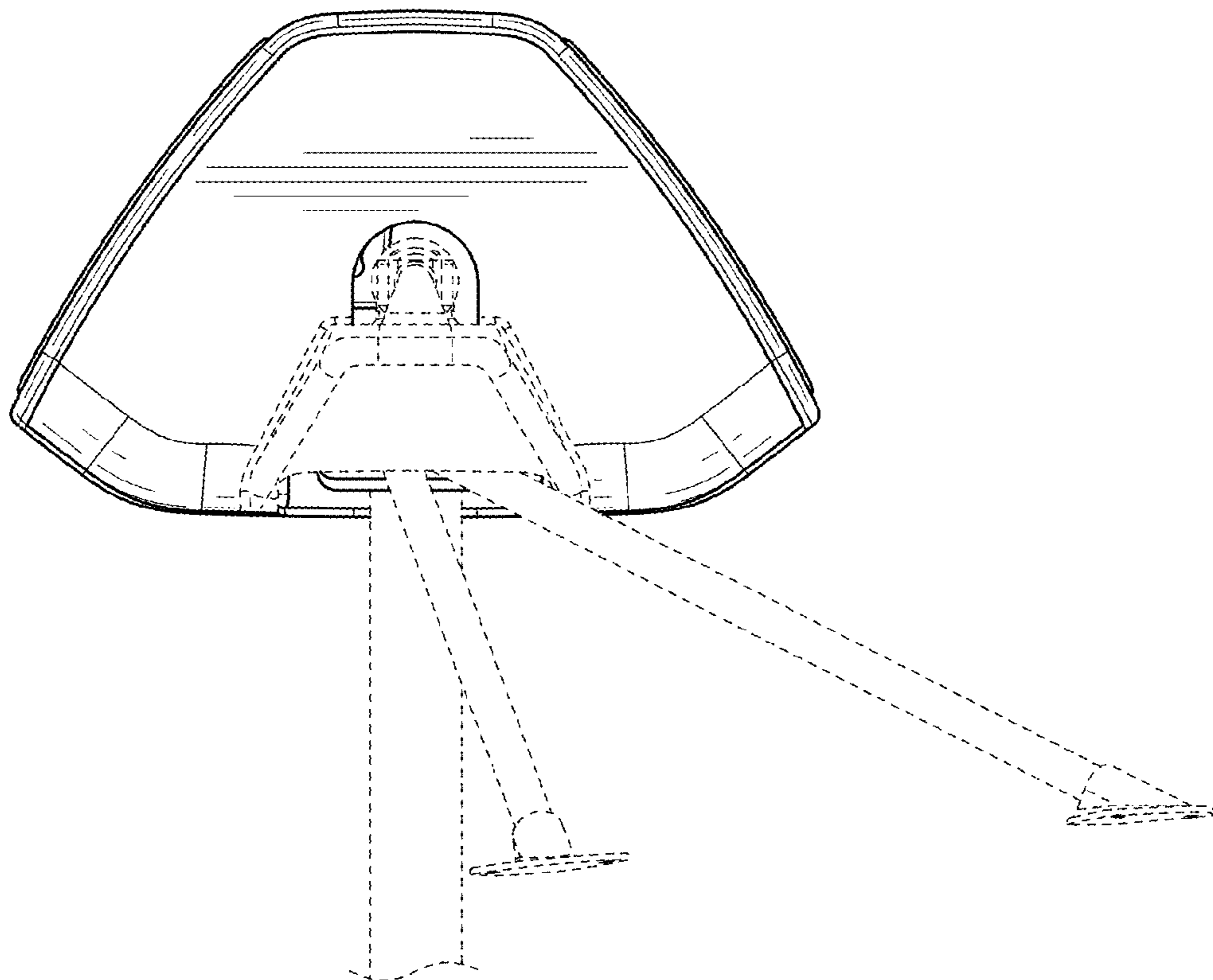


FIG. 7