

US00D947689S

(12) **United States Design Patent**
Gross et al.

(10) **Patent No.:** **US D947,689 S**
(45) **Date of Patent:** **** Apr. 5, 2022**

(54) **INTEGRATED SENSOR ASSEMBLY**

(71) Applicant: **Waymo LLC**, Mountain View, CA (US)

(72) Inventors: **Jared Gross**, Belmont, CA (US); **Robert Veitch**, San Francisco, CA (US); **YooJung Ahn**, Mountain View, CA (US); **Zhaokun Wang**, Santa Ana, CA (US)

(73) Assignee: **Waymo LLC**, Mountain View, CA (US)

(**) Term: **15 Years**

(21) Appl. No.: **29/729,704**

(22) Filed: **Mar. 30, 2020**

Related U.S. Application Data

(62) Division of application No. 29/663,579, filed on Sep. 17, 2018, now Pat. No. Des. 882,426.

(51) **LOC (13) Cl.** **10-04**

(52) **U.S. Cl.**

USPC **D10/65**; D10/70; D12/187

(58) **Field of Classification Search**

USPC D10/65, 70; D12/187, 188
CPC G01S 7/4808; G01S 7/481; G01S 7/4813;
G01S 17/93; G01S 17/936; G08G 1/16;
B60R 1/12; B60R 1/074; B60R 1/072;
B60R 1/06; B60R 1/003; B60R 1/00;
B60R 1/0605; B60R 1/0607; B60R
1/0612; B60R 11/04; B60R 11/0258;
B60R 11/0264; B60R 2001/1223; B60R
2011/004; B62D 15/00; B62D 15/024

See application file for complete search history.

(56) **References Cited**

U.S. PATENT DOCUMENTS

D250,332 S * 11/1978 Aiga D12/187
D356,537 S * 3/1995 Eisenbraun D12/187

D375,070 S * 10/1996 Yeabower D12/187
6,229,434 B1 5/2001 Knapp et al.
6,361,178 B1 3/2002 Lang et al.
6,592,230 B2 7/2003 Dupay
D636,308 S * 4/2011 Reimchen D12/187
8,602,573 B2 12/2013 Brester

(Continued)

FOREIGN PATENT DOCUMENTS

WO 0145067 A1 6/2001

OTHER PUBLICATIONS

“International Search Report and Written Opinion for Application No. PCT/US2018/066808 dated Mar. 28, 2019”, 14 pages.

(Continued)

Primary Examiner — Antoine Duval Davis

(74) *Attorney, Agent, or Firm* — Banner & Witcoff, Ltd.

(57) **CLAIM**

The ornamental design for an integrated sensor assembly, as shown and described.

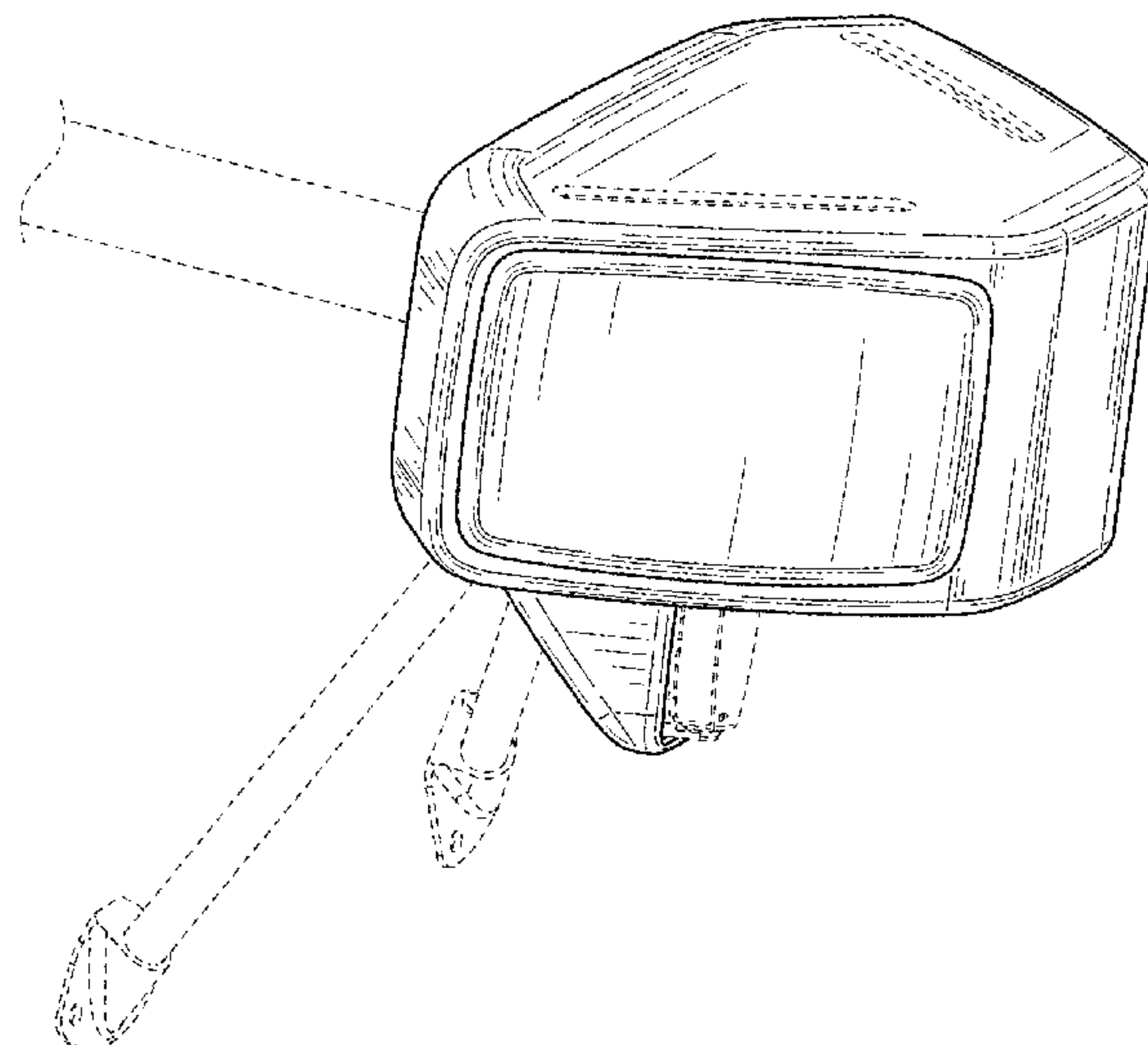
DESCRIPTION

This application is related to U.S. design application Ser. No. 29/729,714, filed concurrently herewith, entitled Integrated Sensor Assembly, the entire disclosure of which is incorporated by reference.

FIG. 1 is a front perspective view of an integrated sensor assembly according to our design;
FIG. 2 is a front elevation view thereof;
FIG. 3 is a back elevation view thereof;
FIG. 4 is a right side elevation view thereof;
FIG. 5 is a left side elevation view thereof;
FIG. 6 is a top plan view thereof; and,
FIG. 7 is a bottom plan view thereof.

The broken lines illustrate portions of the integrated sensor assembly that form no part of the claimed design.

1 Claim, 4 Drawing Sheets



(56)

References Cited

OTHER PUBLICATIONS

U.S. PATENT DOCUMENTS

9,566,911	B2	2/2017	Greenwood et al.	
9,625,582	B2	4/2017	Gruver et al.	
D815,577	S *	4/2018	Chiang	D12/187
2002/0035444	A1	3/2002	Wilkerson et al.	
2008/0059015	A1	3/2008	Whittaker et al.	
2011/0127328	A1	6/2011	Warren	
2014/0063231	A1	3/2014	Brester	
2017/0158136	A1	6/2017	Garcia Solache	
2017/0210297	A1	7/2017	Kim et al.	
2018/0032822	A1	2/2018	Frank et al.	
2018/0095473	A1	4/2018	Fakhfakh et al.	
2018/0267558	A1	9/2018	Tiwari et al.	
2018/0290594	A1	10/2018	Abdel-Rahman et al.	
2018/0329036	A1	11/2018	Huebner et al.	
2018/0350391	A1	12/2018	Moore et al.	
2018/0364717	A1	12/2018	Douillard et al.	
2018/0372875	A1	12/2018	Juelsgaard et al.	
2019/0072646	A1	3/2019	Zelený et al.	
2019/0168569	A1	6/2019	Lee	
2019/0170612	A1	6/2019	Clark et al.	
2019/0189015	A1	6/2019	Gesch et al.	
2020/0064483	A1	2/2020	Li et al.	
2020/0145569	A1	5/2020	Wheeler et al.	

“Safety Technologies for Heavy Vehicles and Combinations”, Transport for NSW, transport.nsw.gov.au, Cat. No. 45094061, Jun. 2017, 36 pages.

Delphi , “Delphi Integrated Radar and Camera System Racam”, retrieved from the Internet <www.delphi.com>, on Nov. 20, 2017, 1 page.

Delphi , “Delphi Rear and Side Detection System”, retrieved from the Internet <www.delphi.com>, on Nov. 20, 2017, 1 page.

Krok , “Ford Patent Application Cleverly Hides Lidar in Side Mirrors”, retrieved from the Internet <https://www.cnet.com/roadshow/news/ford-patent-applicaition-lidar-in- . . . ,> on Nov. 20, 2018, 2 pages.

Nyberg , “Stabilization Sensor Fusion and Path Following for Autonomous Reversing of a Full-scale Truck and Trailer System”, Department of Electrical Engineering, Linkoping University, 2016, 50 pages.

teslarati.com, “Tesla Semi’s vast array of Autopilot cameras and sensors for convoy mode spotted”, Nov. 26, 2017, retrieved from: <https://www.teslarati.com/tesla-semi-autopilot-cameras-convoy-technology/> on May 6, 2020 (Year: 2017).

* cited by examiner

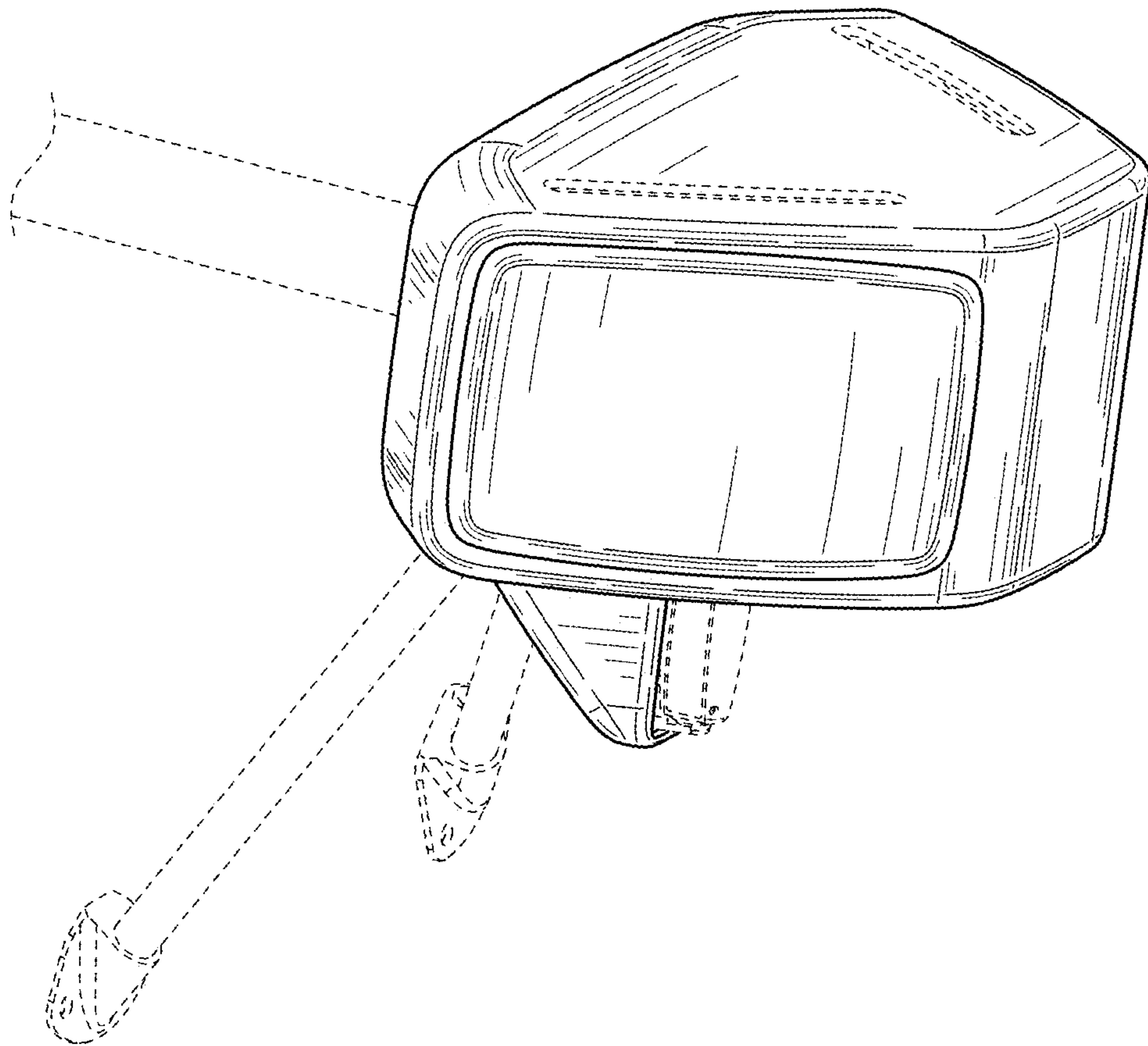


FIG. 1

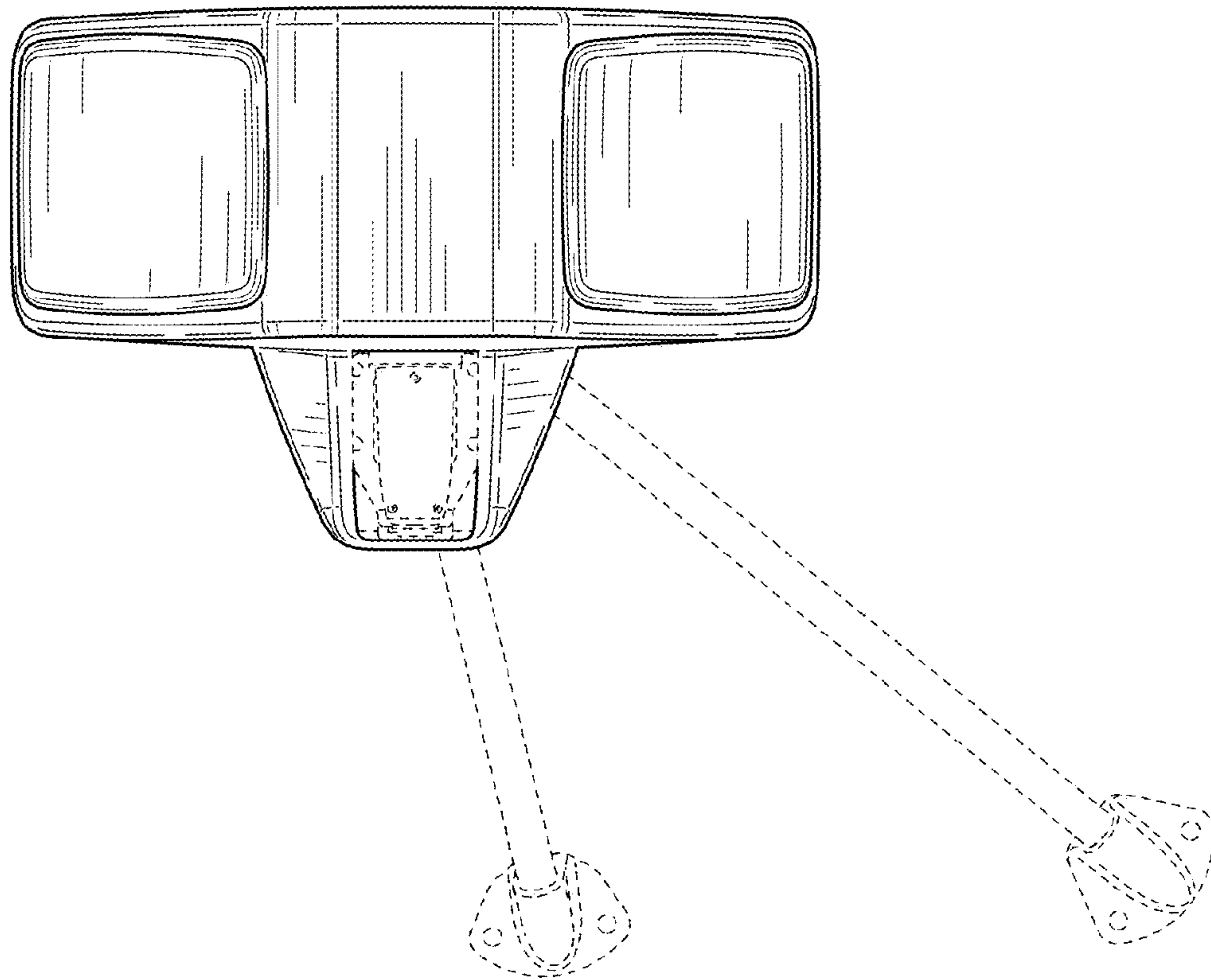


FIG. 2

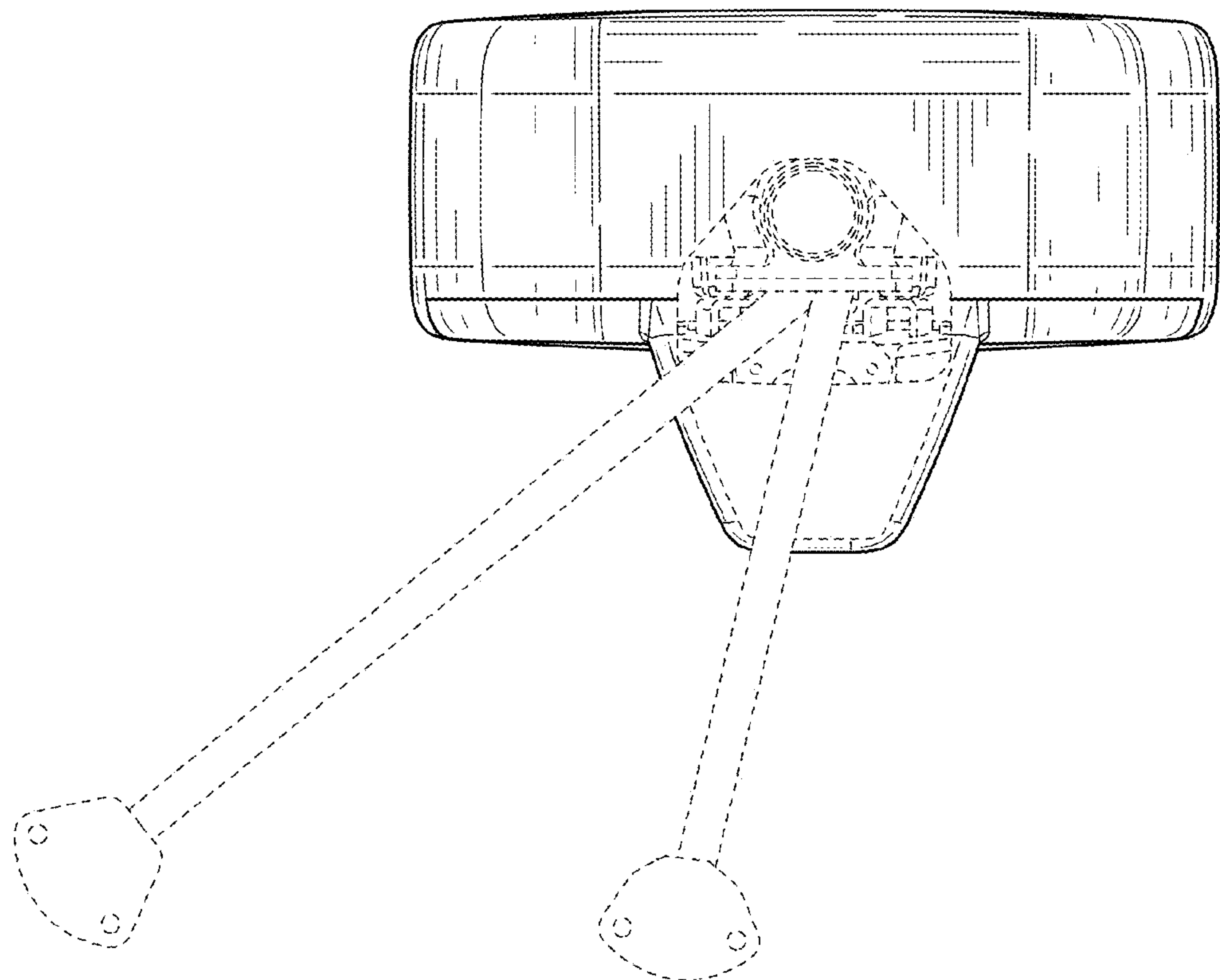


FIG. 3

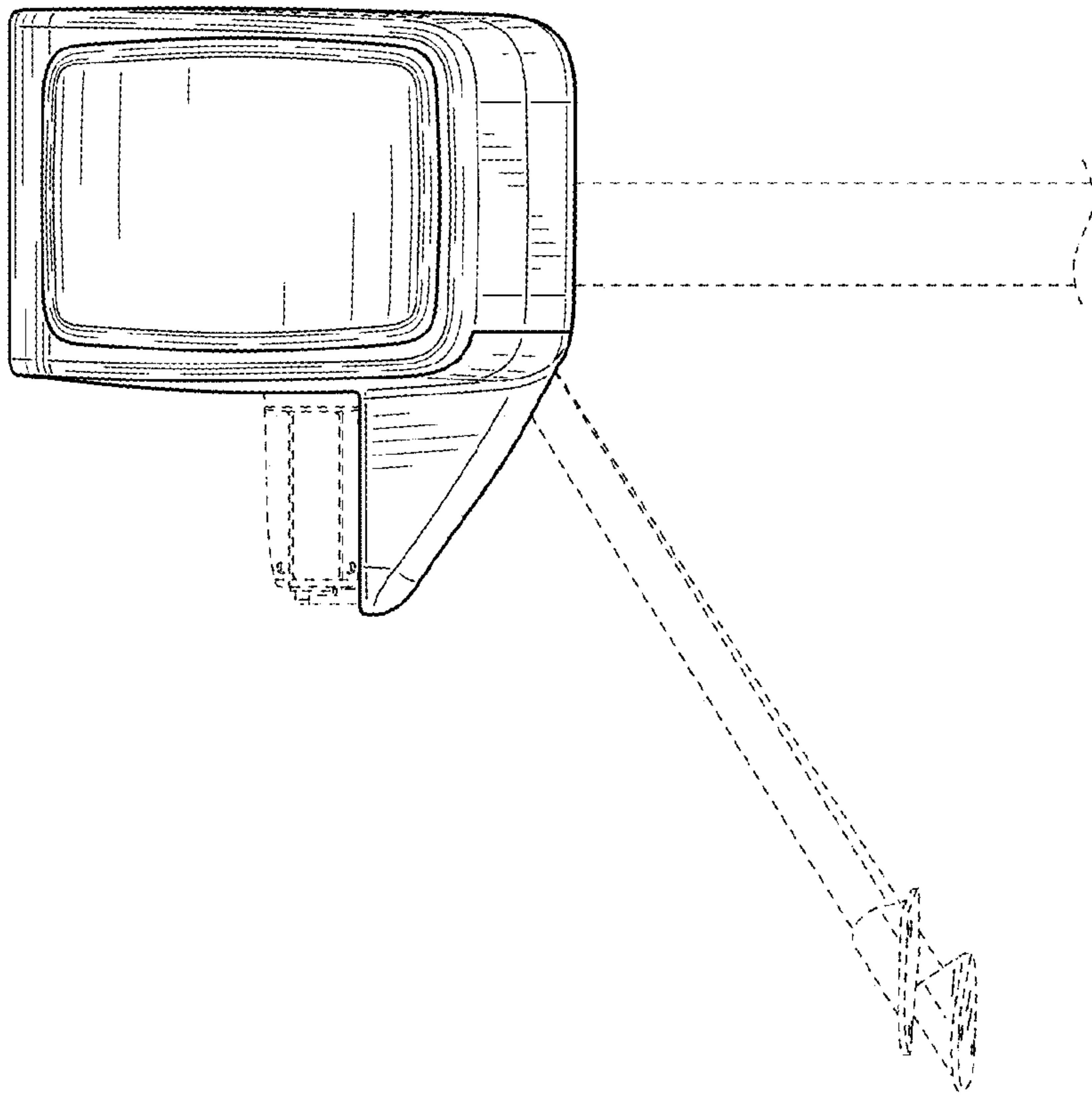


FIG. 4

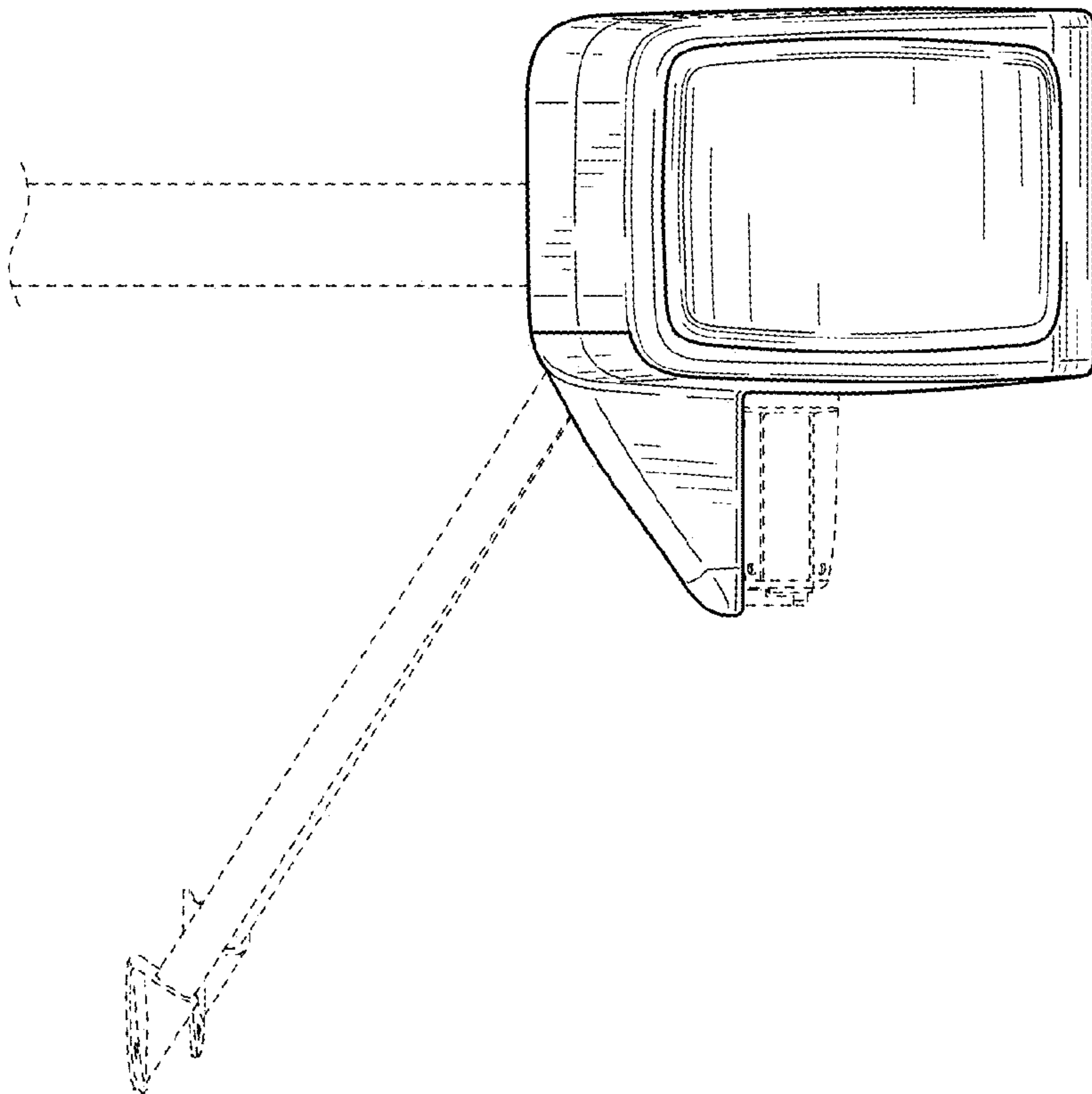


FIG. 5

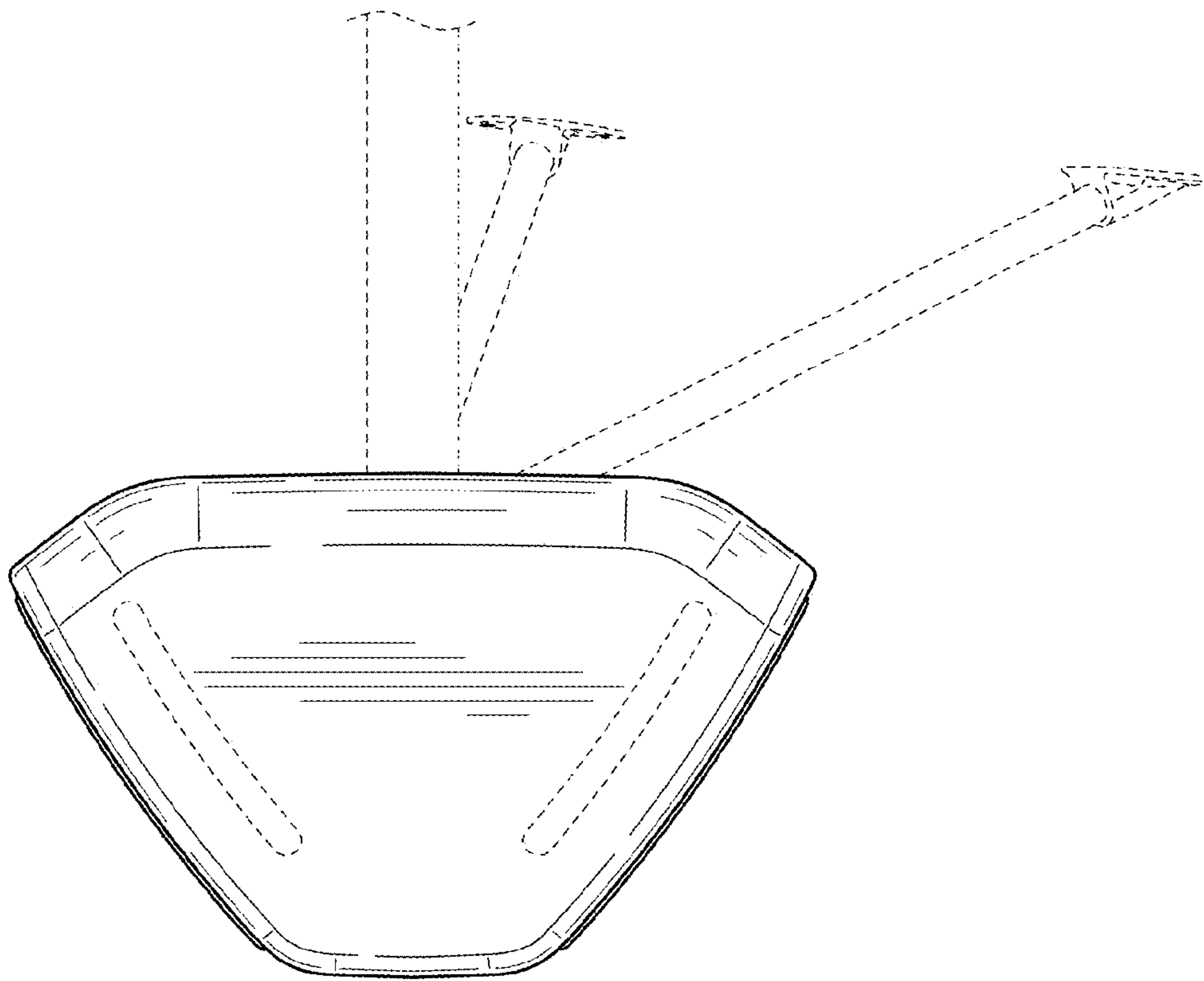


FIG. 6

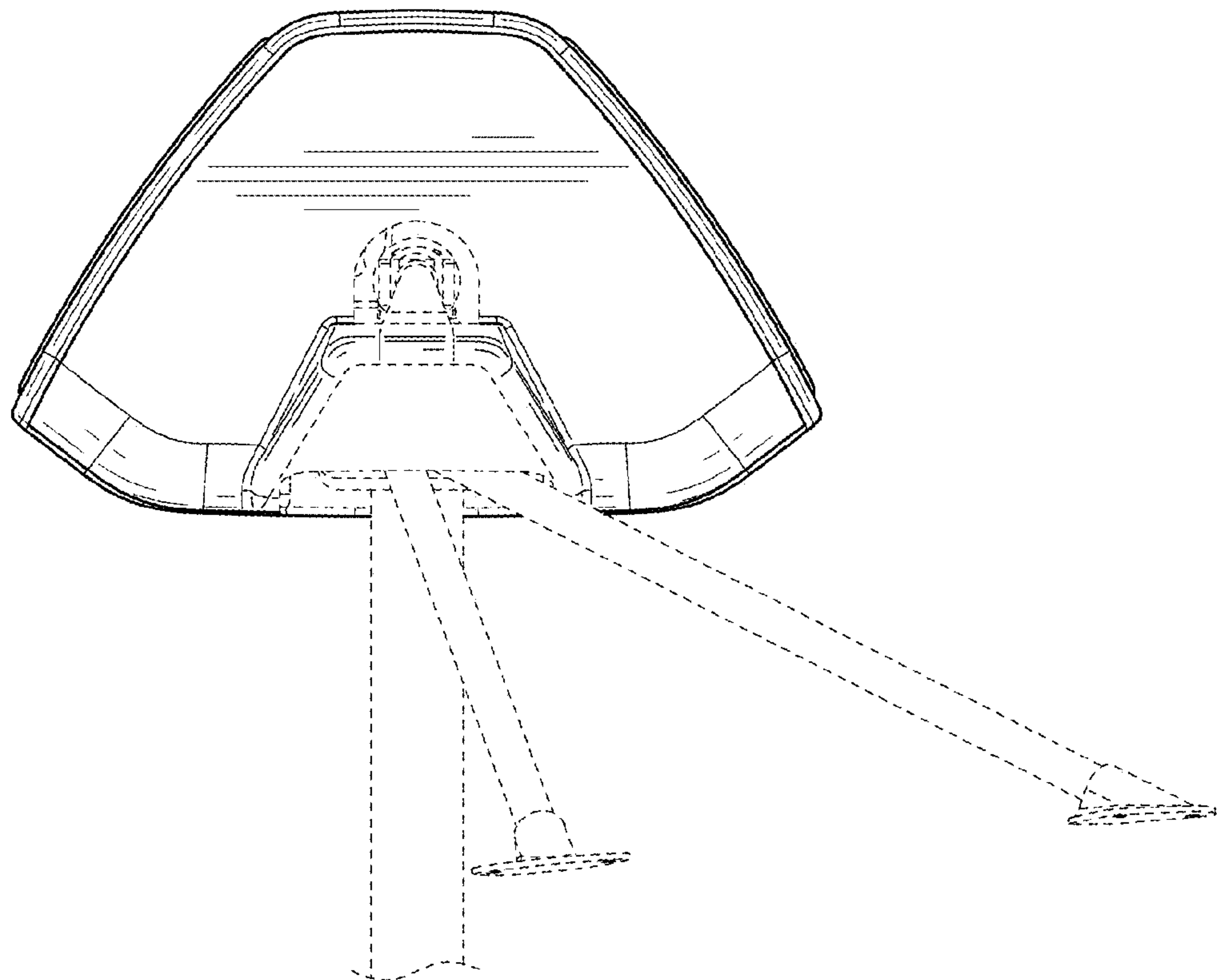


FIG. 7