



US00D947687S

(12) **United States Design Patent** (10) **Patent No.:** **US D947,687 S**
Pennebaker et al. (45) **Date of Patent:** **** Apr. 5, 2022**

(54) **WIRELESS SENSOR SYSTEM**

5/0058; G01M 5/0075; H01F 7/0252;
H04N 5/23296; H04N 5/23216; H04N
5/23203

(71) Applicants: **E. Strode Pennebaker**, Houston, TX
(US); **Stephen E. Crowe**, Houston, TX
(US)

See application file for complete search history.

(72) Inventors: **E. Strode Pennebaker**, Houston, TX
(US); **Stephen E. Crowe**, Houston, TX
(US)

(56) **References Cited**

U.S. PATENT DOCUMENTS

(73) Assignee: **Sensorfield LLC**, Houston, TX (US)

D296,770 S * 7/1988 Lloyd D10/102
8,079,265 B2 * 12/2011 Brignac G01N 29/2493
73/627
D662,845 S * 7/2012 Guerrero G01N 29/2493
D10/96

(**) Term: **15 Years**

* cited by examiner

(21) Appl. No.: **29/708,291**

Primary Examiner — Antoine Duval Davis

(22) Filed: **Oct. 4, 2019**

(74) *Attorney, Agent, or Firm* — Osha Bergman Watanabe
& Burton LLP

(51) **LOC (13) Cl.** **10-04**

(52) **U.S. Cl.**
USPC **D10/49; D13/162**

(57) **CLAIM**

(58) **Field of Classification Search**
USPC D10/46, 83, 84, 85, 96, 102, 49;
D13/162, 162.1

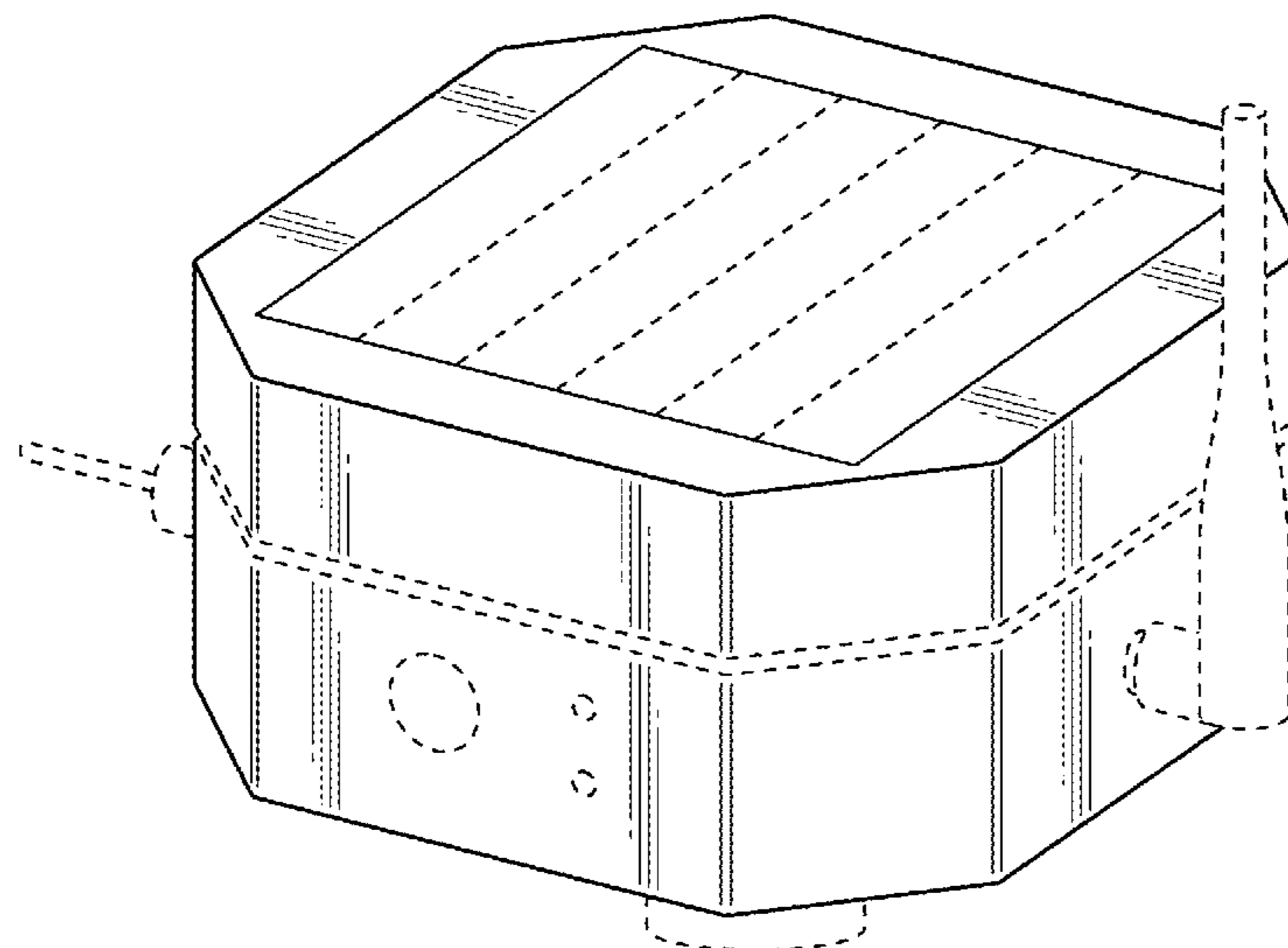
The ornamental design for a wireless sensor system, as
shown and described.

DESCRIPTION

CPC G01H 9/00; G01H 9/002; G01H 9/004;
G01H 9/006; G01H 9/008; G01P 15/00;
G01P 15/093; G01P 15/15; G01V 1/18;
G01V 1/181; E21B 47/00; E21B 19/008;
E21B 41/0092; E21B 19/22; G01F 23/00;
G01F 23/18; G01F 23/28; G01F 23/296;
G01F 23/2962; G01F 25/0061; G01F
23/0063; G01F 23/14; G01N 29/06;
G01N 29/0609; G01N 29/0618; G01N
29/0627; G01N 29/0636; G01N 29/0645;
G01N 29/07; G01N 29/09; G01N 29/11;
G01N 29/12; G01N 29/22; G01N 29/221;
G01N 29/222; G01N 29/223; G01N
29/225; G01N 29/226; G01N 29/227;
G01N 29/228; G05D 1/101; G05D
1/0214; G05D 1/0094; G05D 1/0225;
G05D 2201/0207; G01C 21/3469; G01C
21/20; G01C 21/3461; G01C 21/3415;
G01M 5/0025; G01M 5/0033; G01M

FIG. 1 is a perspective view of a wireless sensor system
showing a first embodiment of the new design;
FIG. 2 is a top view of the first embodiment of the wireless
sensor system of FIG. 1;
FIG. 3 is a bottom view of the first embodiment of the
wireless sensor system of FIG. 1;
FIG. 4 is a front view of the first embodiment of the wireless
sensor system of FIG. 1;
FIG. 5 is a rear view of the first embodiment of the wireless
sensor system of FIG. 1;
FIG. 6 is a left side view of the first embodiment of the
wireless sensor system of FIG. 1; and,
FIG. 7 is a right side view of the first embodiment of the
wireless sensor system of FIG. 1.
The broken lines depict unclaimed portions of the wireless
sensor system and form no part of the claimed design.

1 Claim, 4 Drawing Sheets



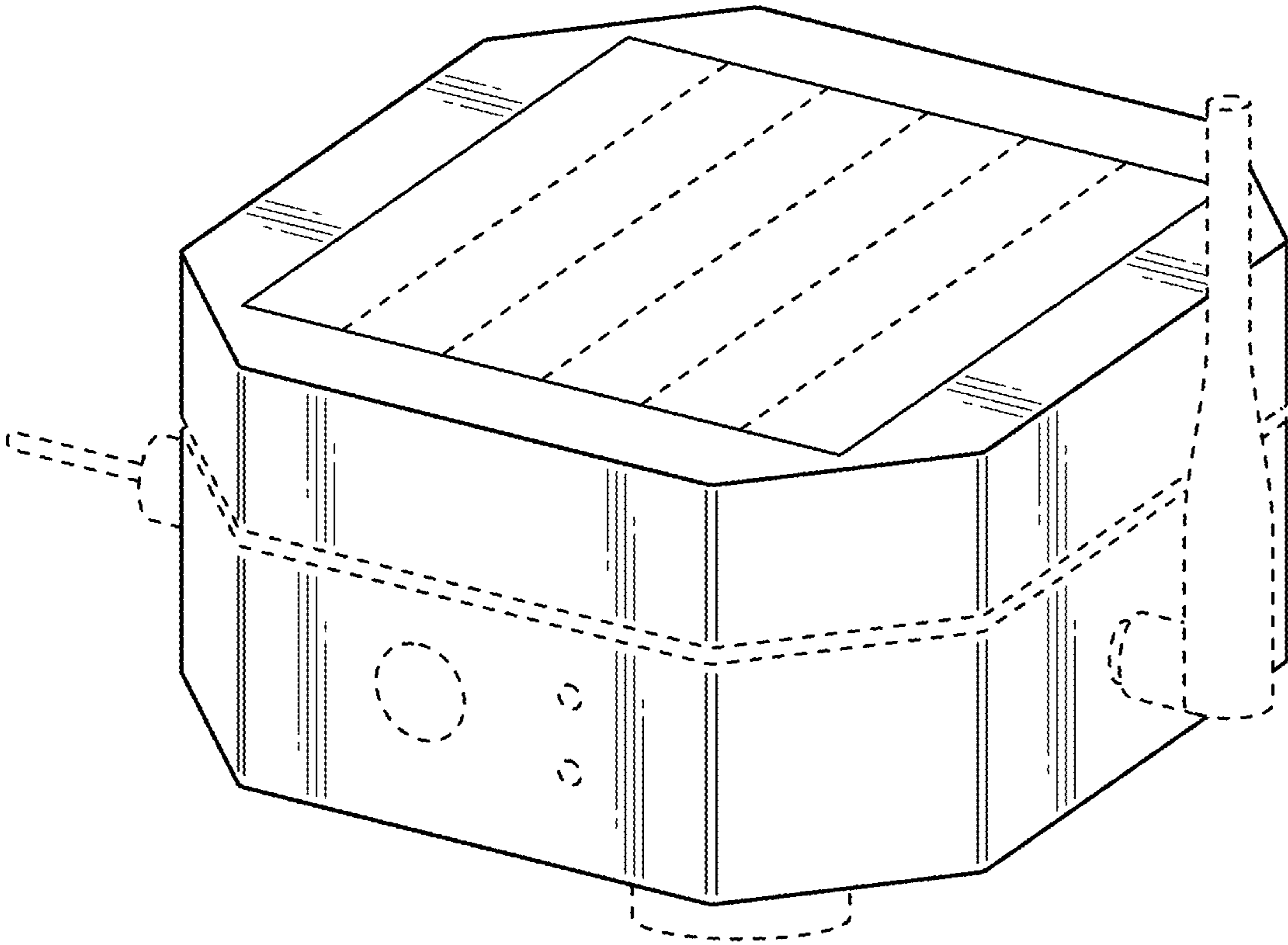


FIG. 1

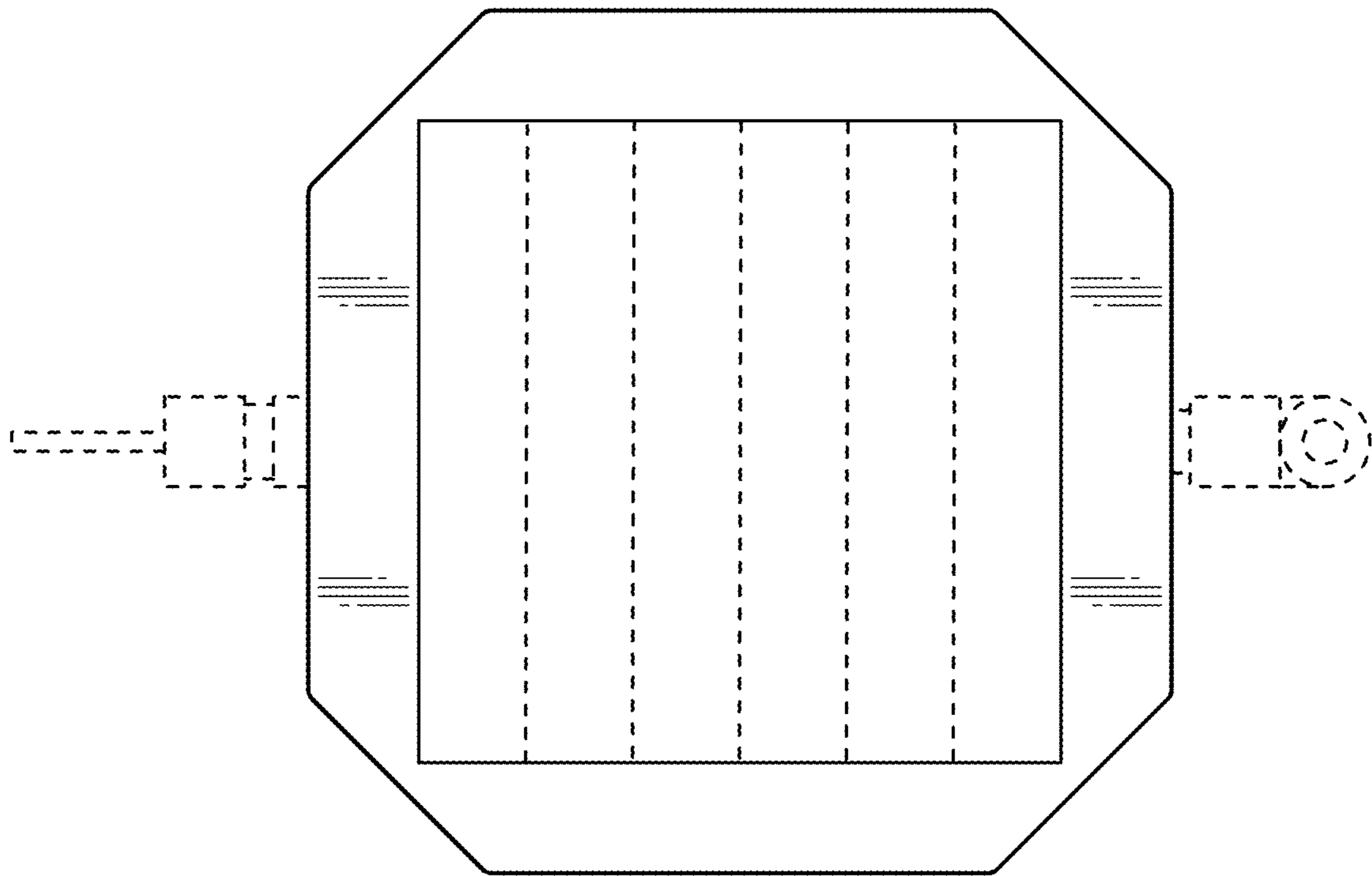


FIG. 2

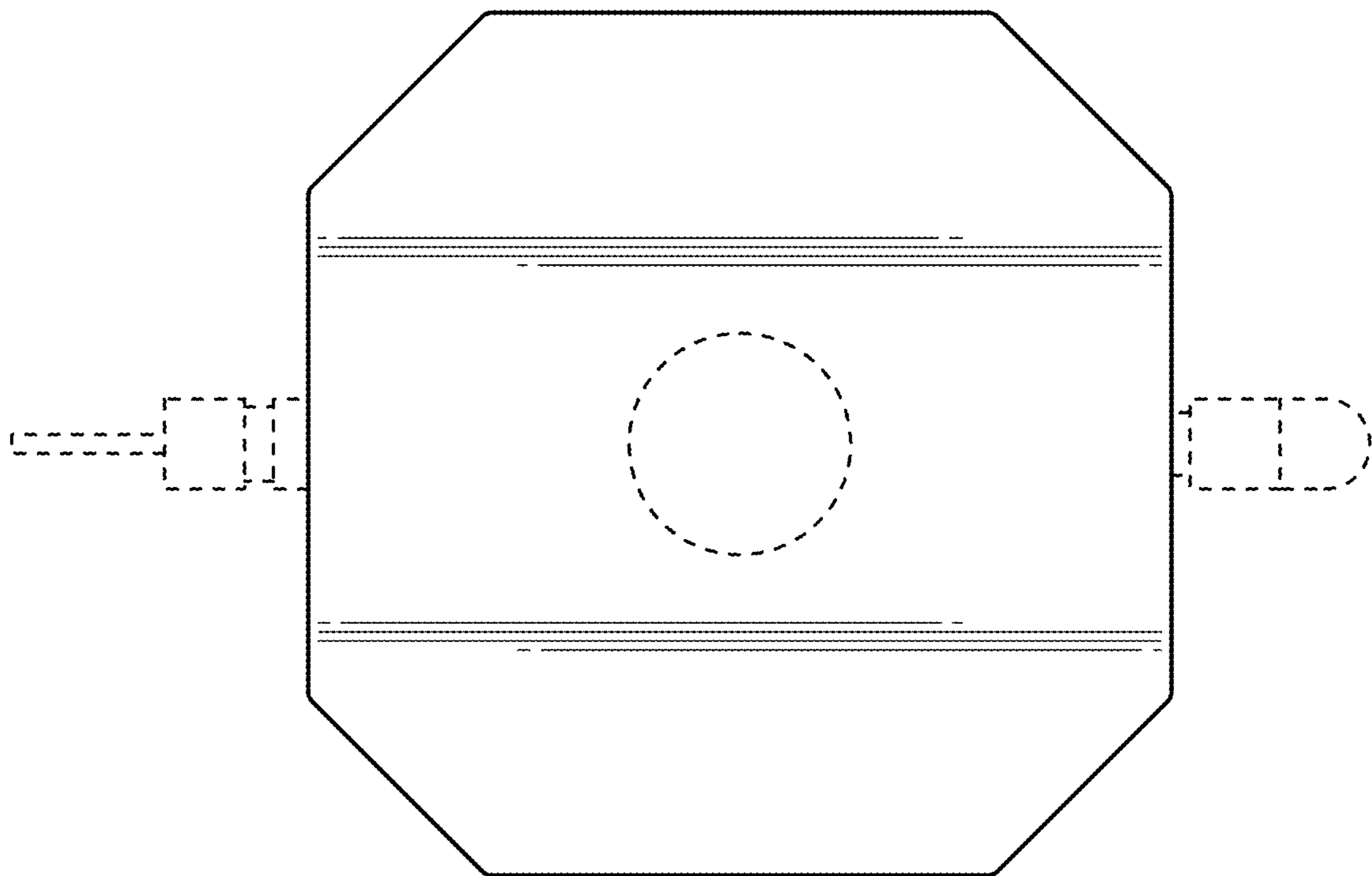


FIG. 3

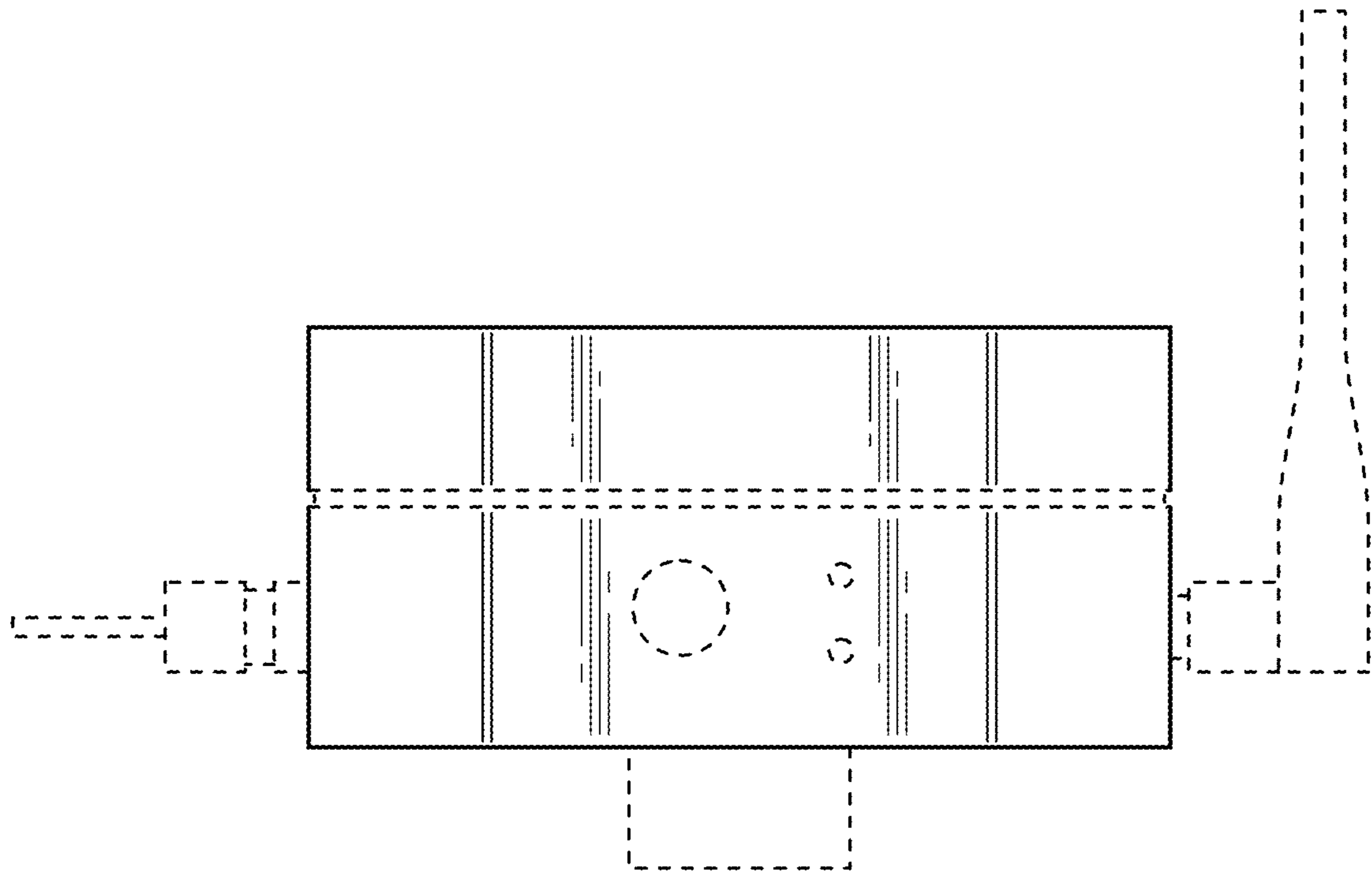


FIG. 4

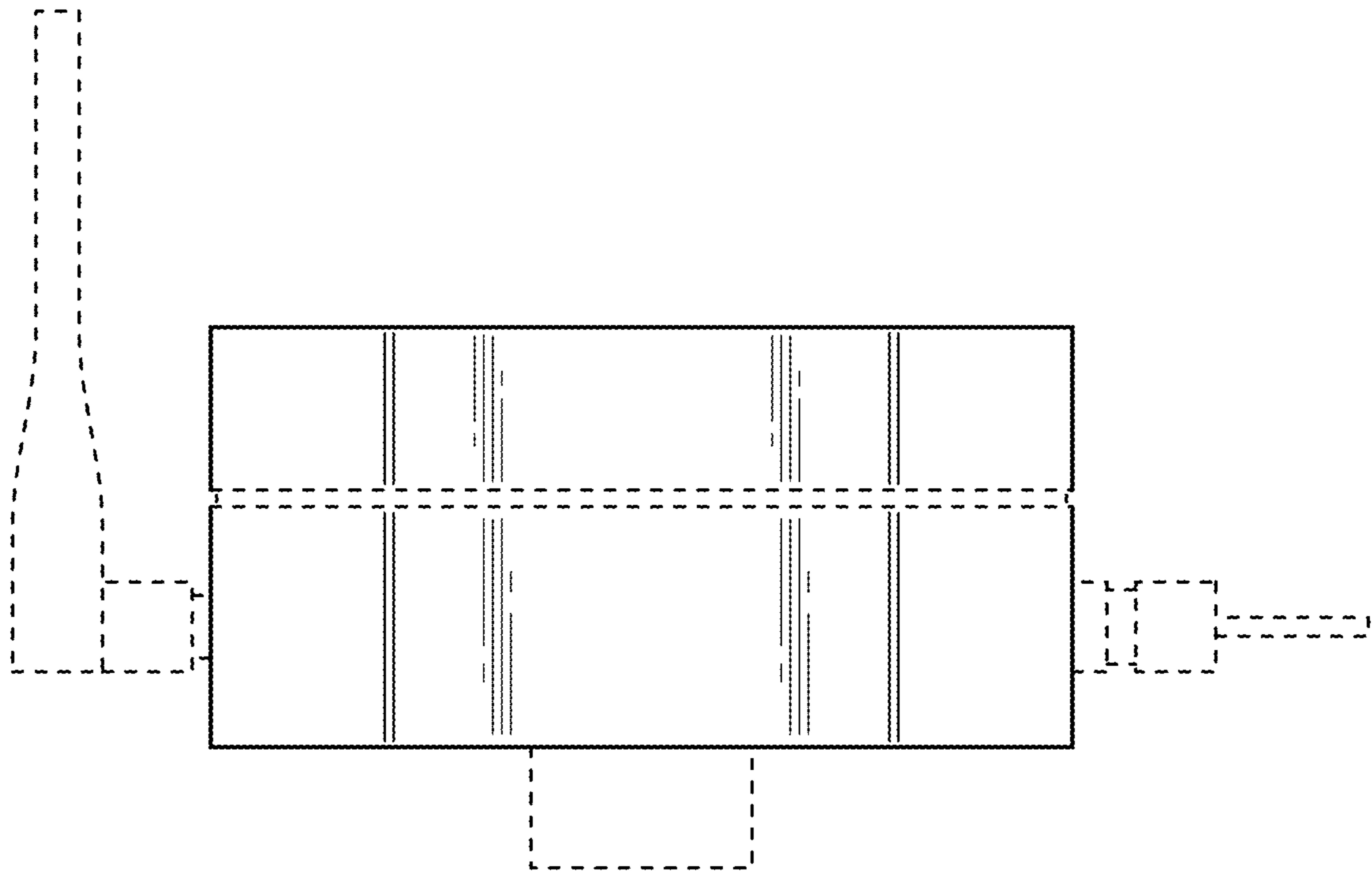


FIG. 5

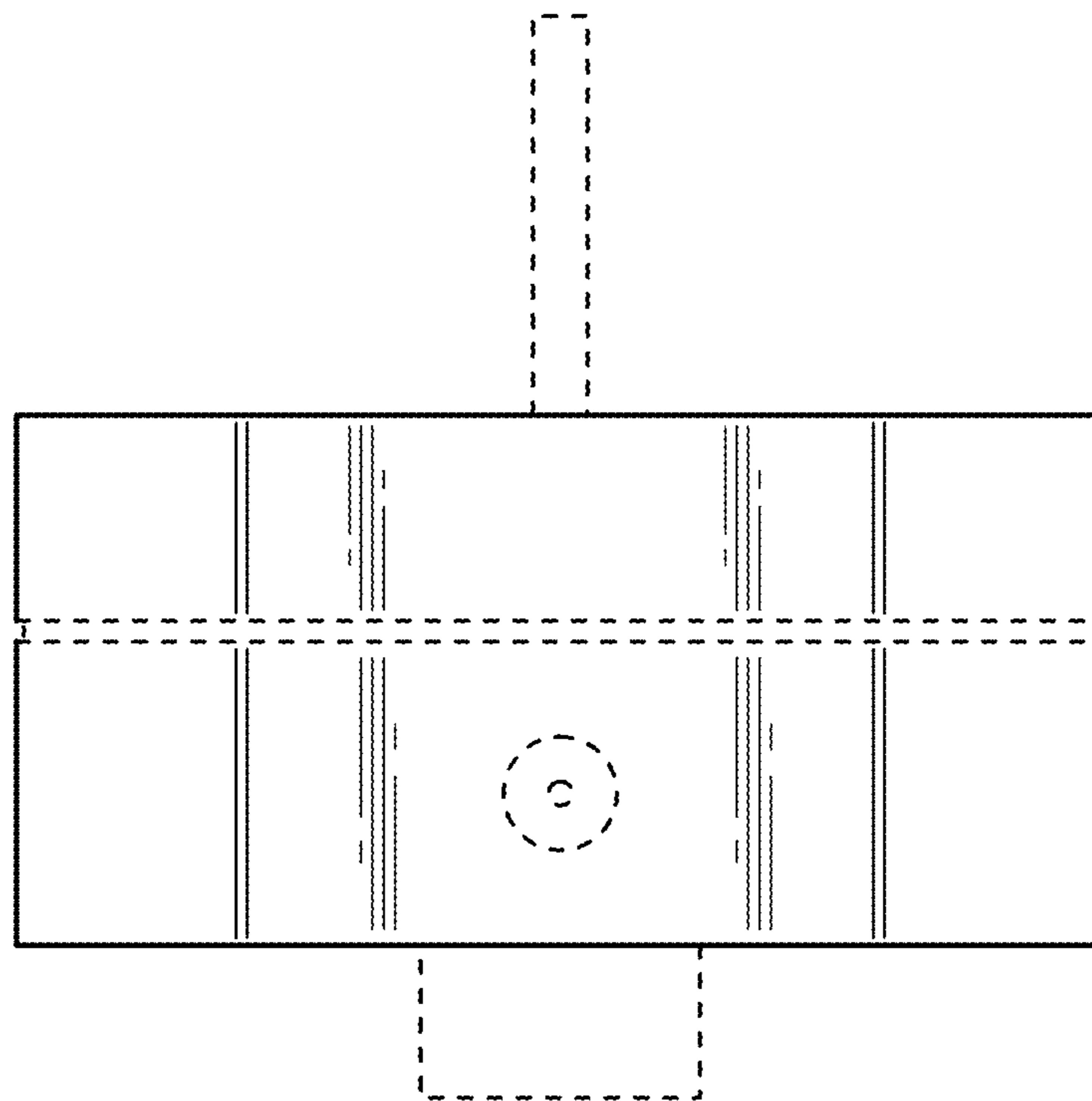


FIG. 6

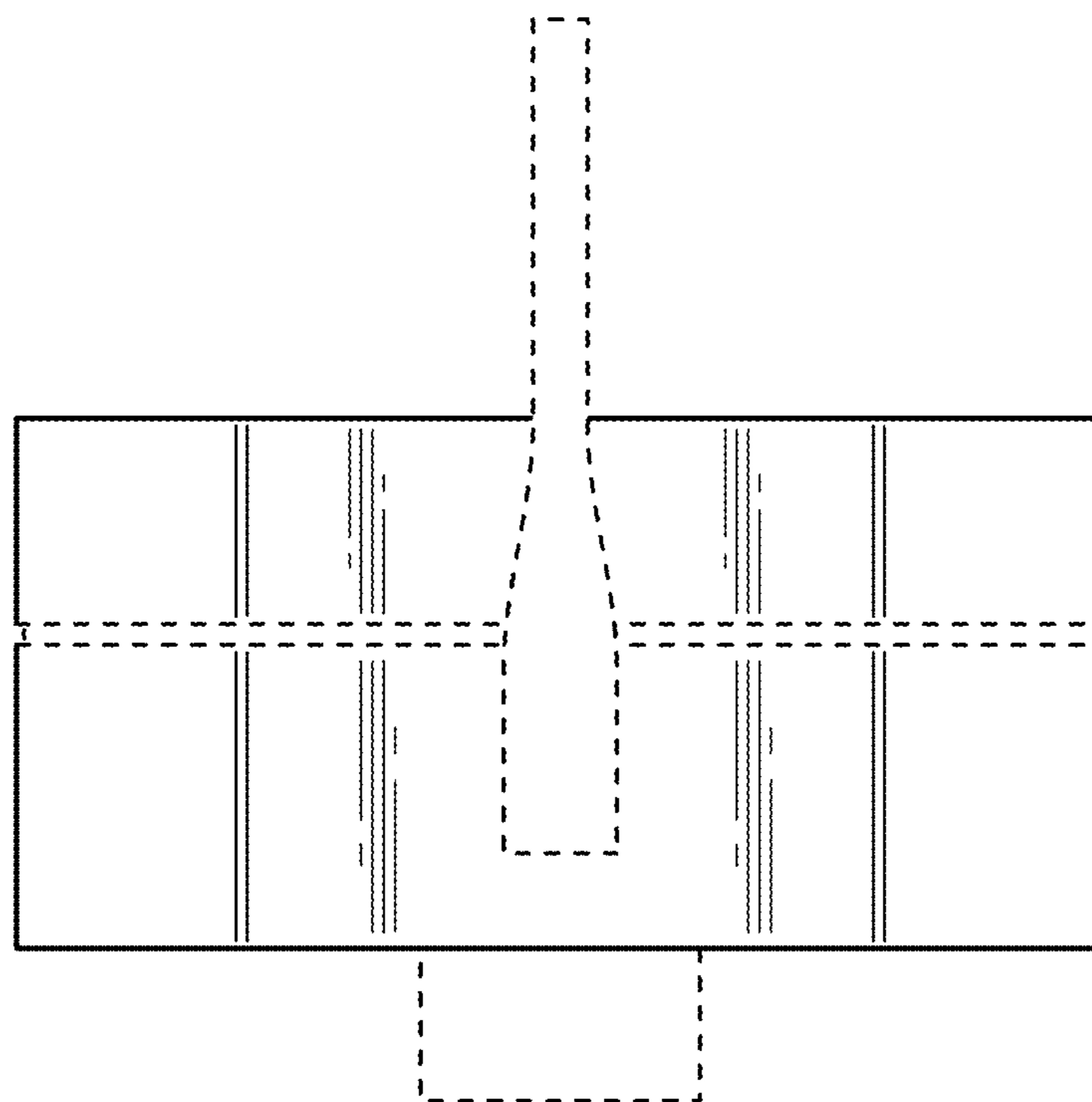


FIG. 7