



US00D947686S

(12) **United States Design Patent**
Davoli

(10) **Patent No.:** **US D947,686 S**

(45) **Date of Patent:** **** Apr. 5, 2022**

(54) **WATCH**

G04B 39/008; G04B 39/02; G04B 47/00;
G04B 47/003; G04B 47/046

(71) Applicant: **Cartier International AG**, Steinhausen
(CH)

See application file for complete search history.

(72) Inventor: **Laurent Davoli**, Chancy (CH)

(56) **References Cited**

(**) Term: **15 Years**

U.S. PATENT DOCUMENTS

(21) Appl. No.: **35/511,326**

D355,380 S *	2/1995	Nakai	D10/38
D386,429 S *	11/1997	Brodmann	D10/30
D407,030 S *	3/1999	Toyoshima	D10/30
D422,514 S *	4/2000	Diltoer	D10/128
D512,654 S *	12/2005	Scheufele	D10/39
D554,542 S *	11/2007	Laucella	D10/39
D584,173 S *	1/2009	Monachon	D10/39
D705,087 S *	5/2014	Monachon	D10/39

(22) Filed: **Jan. 20, 2021**

(80) **Hague Agreement Data**

Int. Filing Date: **Jan. 20, 2021**

Int. Reg. No.: **DM/212461**

Int. Reg. Date: **Jan. 20, 2021**

Int. Reg. Pub. Date: **Feb. 5, 2021**

* cited by examiner

Primary Examiner — George D. Kirschbaum

(51) **LOC (13) Cl.** **10-02**

(57) **CLAIM**

(52) **U.S. Cl.**
USPC **D10/39**

The ornamental design for a watch, as shown and described.

(58) **Field of Classification Search**

USPC D10/39, 38, 31

CPC G04B 19/223; G04B 19/28; G04B 47/061;

G04B 47/066; G04B 19/23; G04B

19/235; G04B 27/00; G04B 37/1486;

G04B 13/008; G04B 17/00; G04B

19/221; G04B 19/226; G04B 19/25353;

G04B 19/26; G04B 25/02; G04B 25/04;

G04B 45/046; G04B 47/06; G04B

47/068; G04B 19/025; G04B 19/046;

G04B 19/20; G04B 19/283; G04B

37/0083; G04B 37/02; G04B 37/084;

G04B 37/22; G04B 37/221; G04B 39/00;

DESCRIPTION

1. Watch

1.1 is a front view.

1.2 is a back view.

1.3 is a bottom view.

1.4 is a top side view.

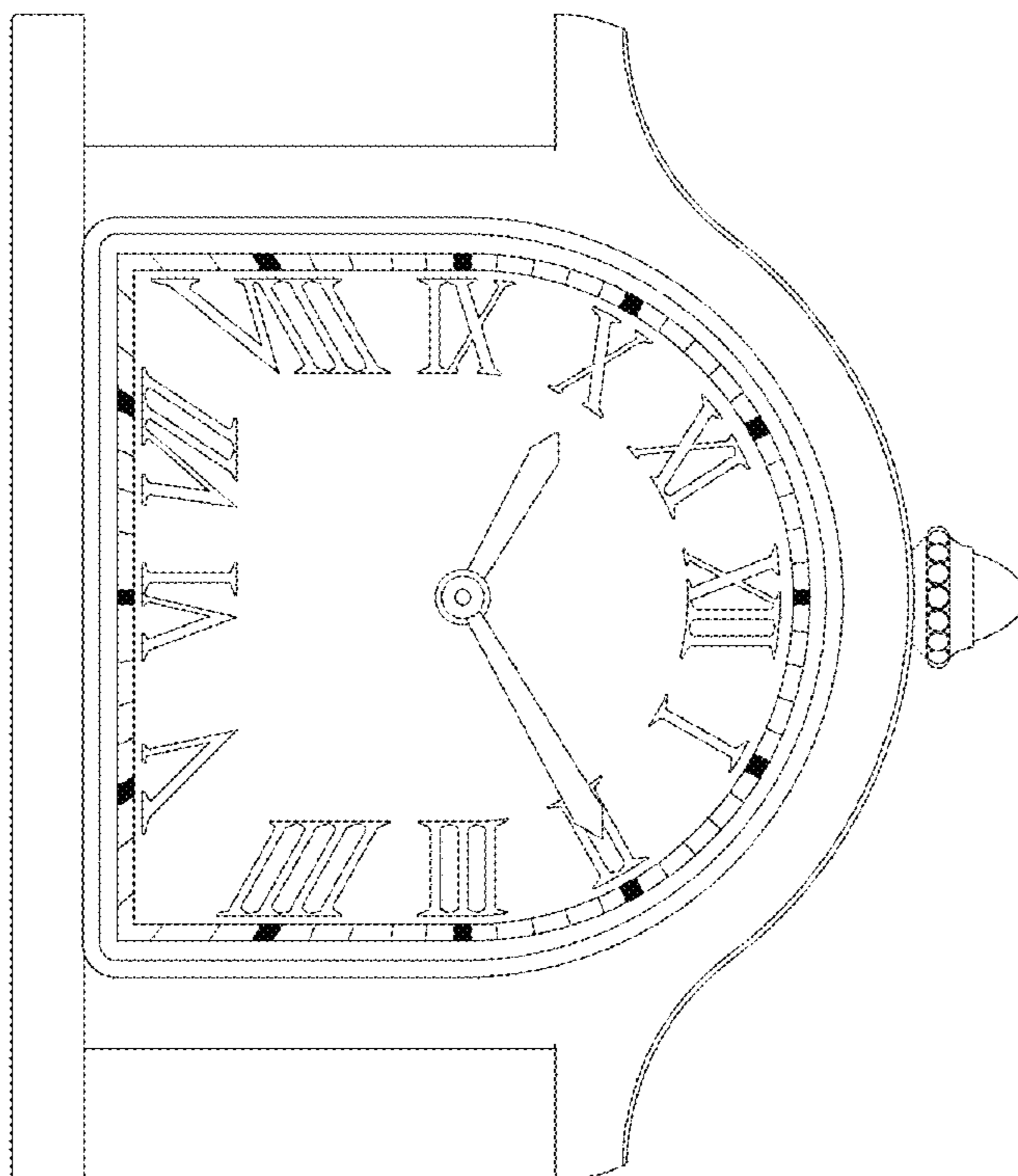
1.5 is a left side view.

1.6 is a right side view.

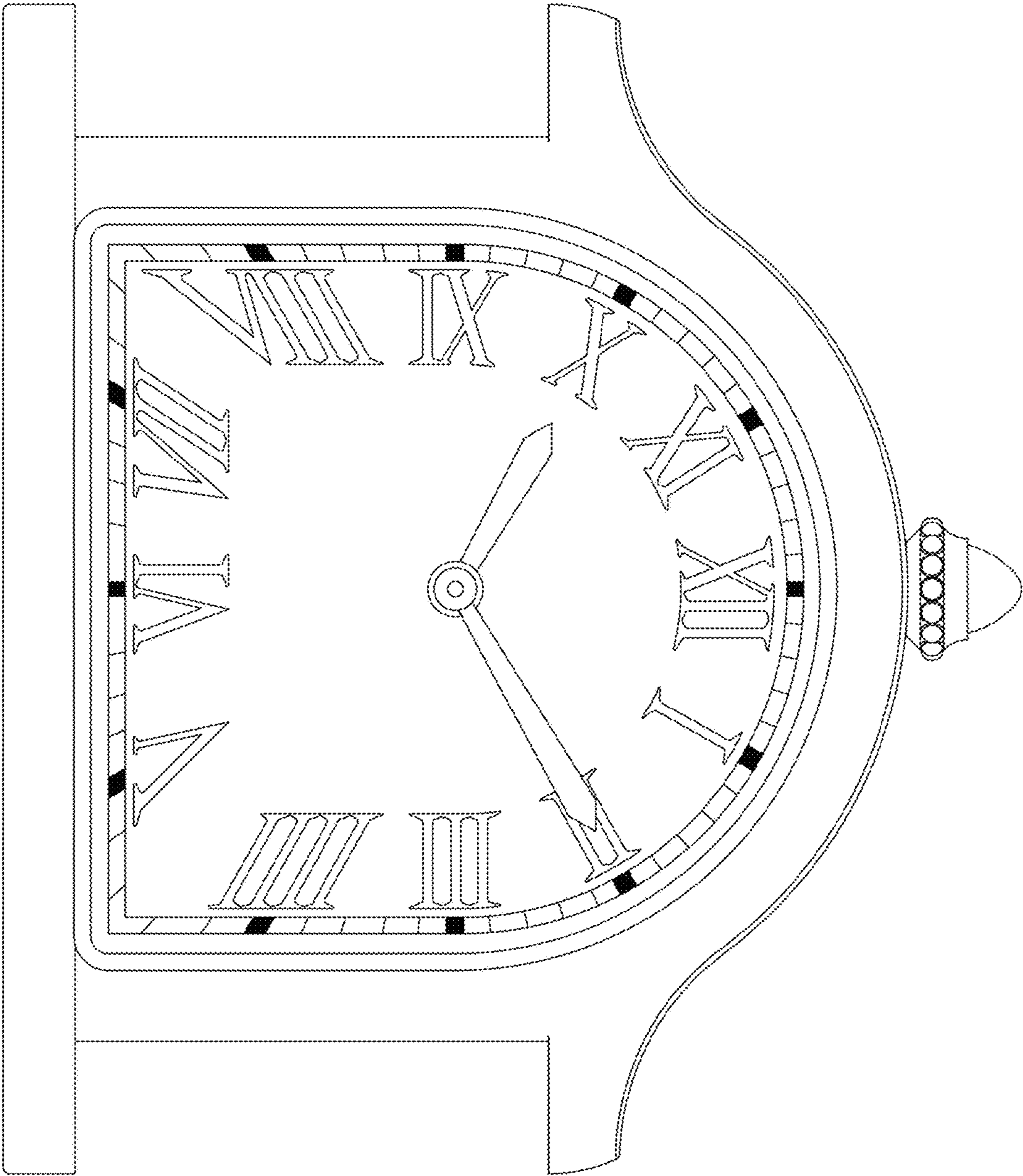
1.7 is a front perspective view.

1.8 is a bottom perspective view.

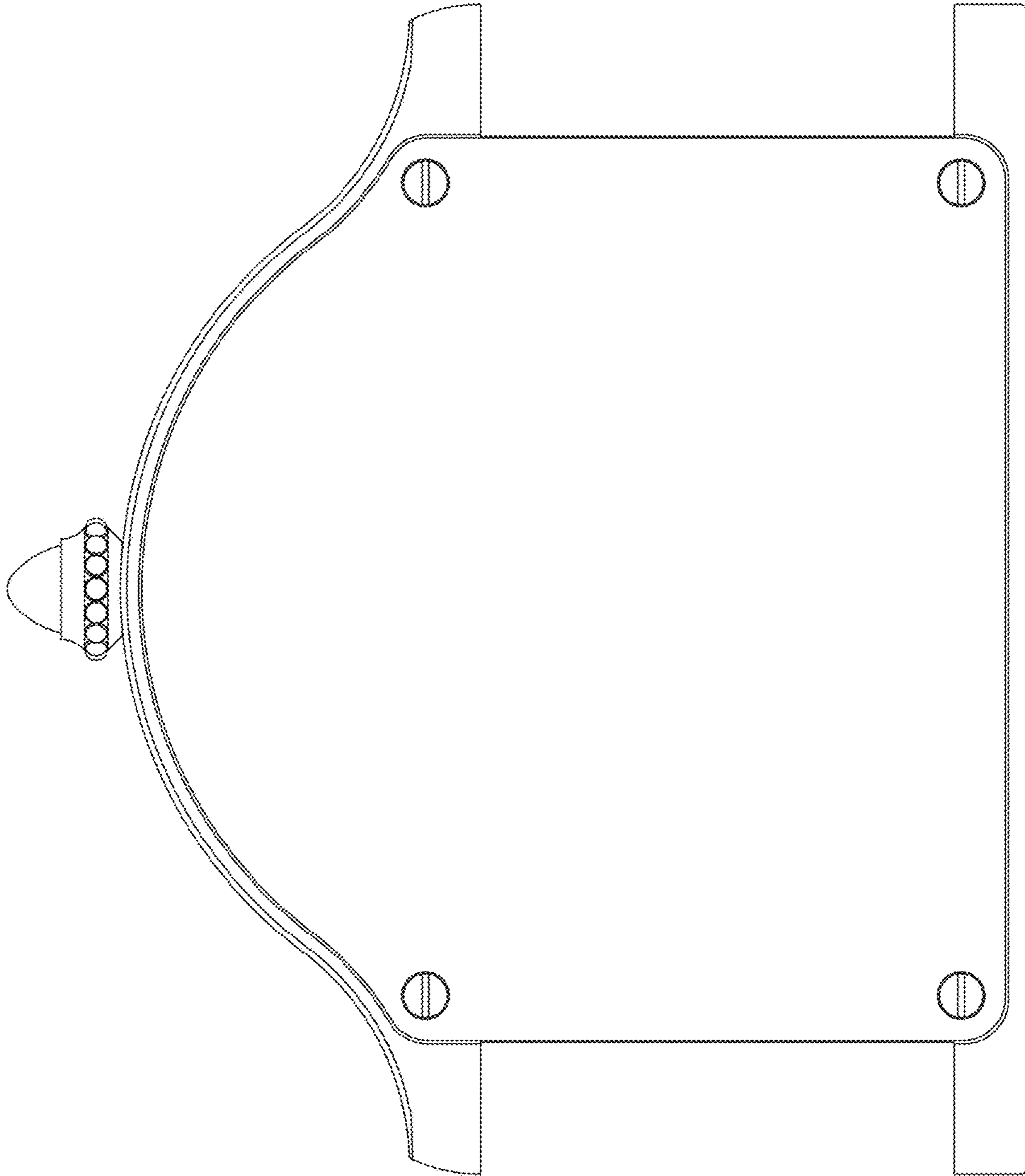
1 Claim, 8 Drawing Sheets



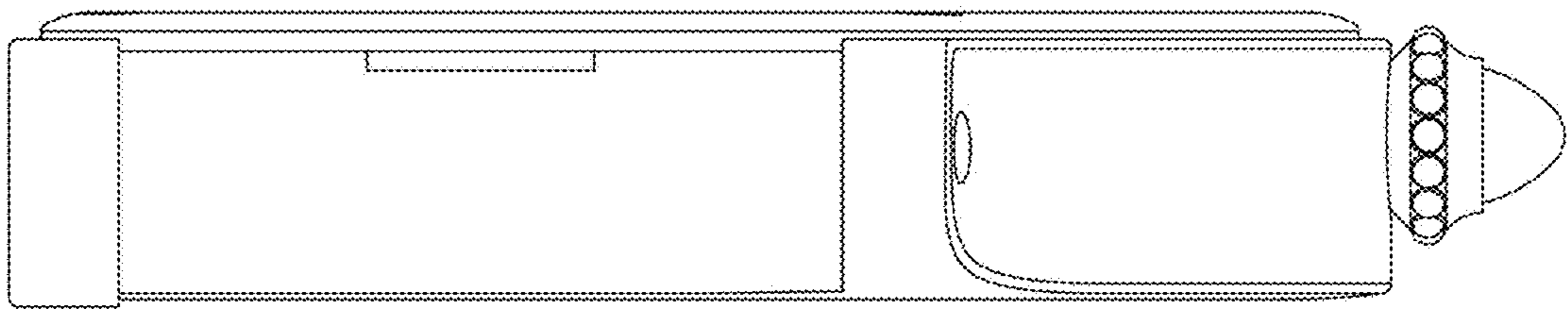
1.1



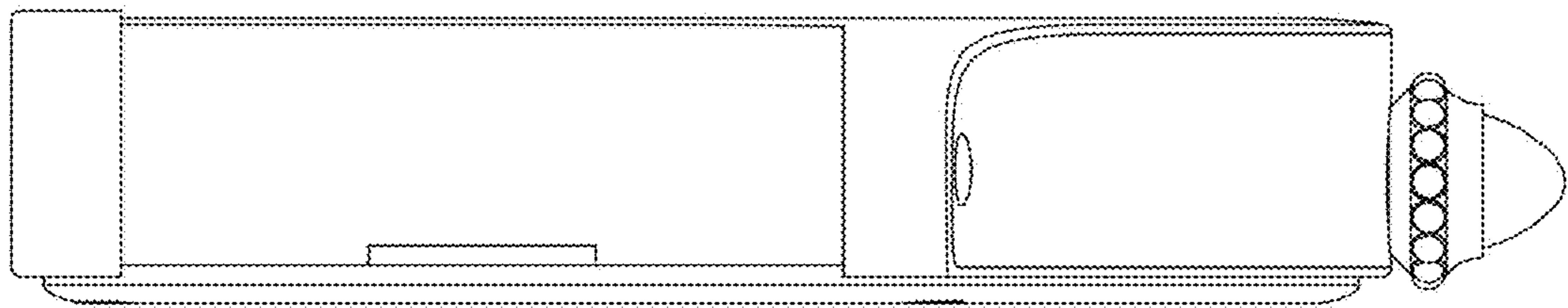
1.2



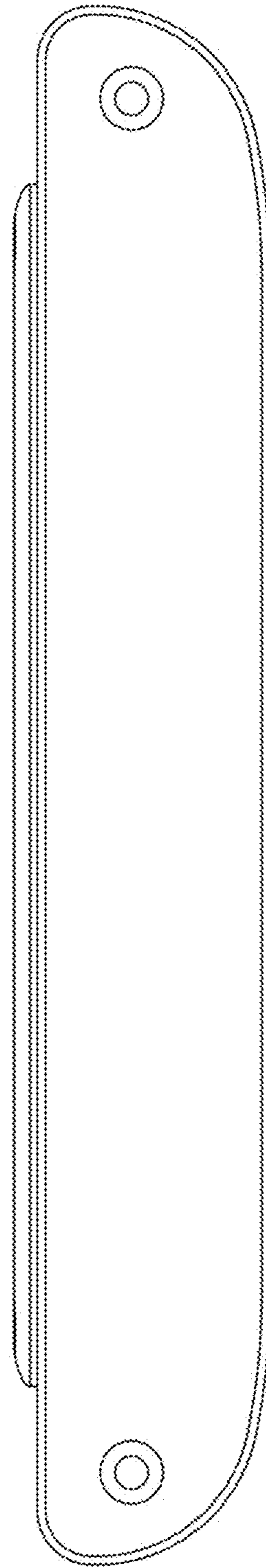
1.3



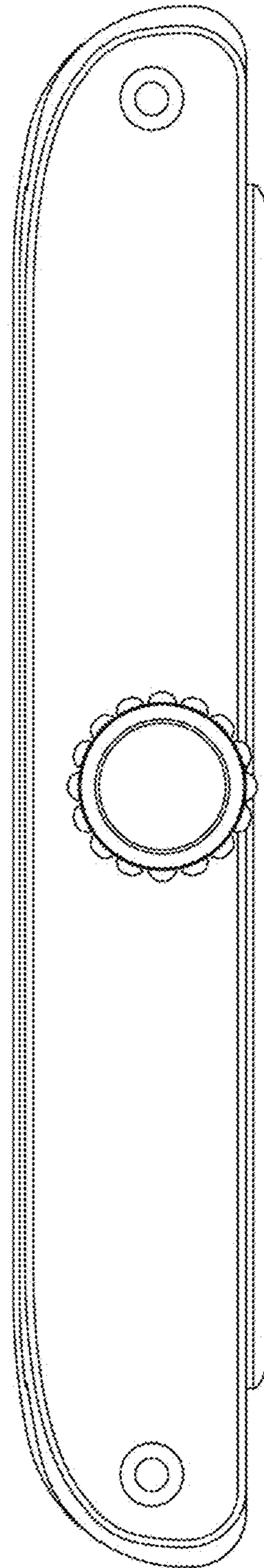
1.4



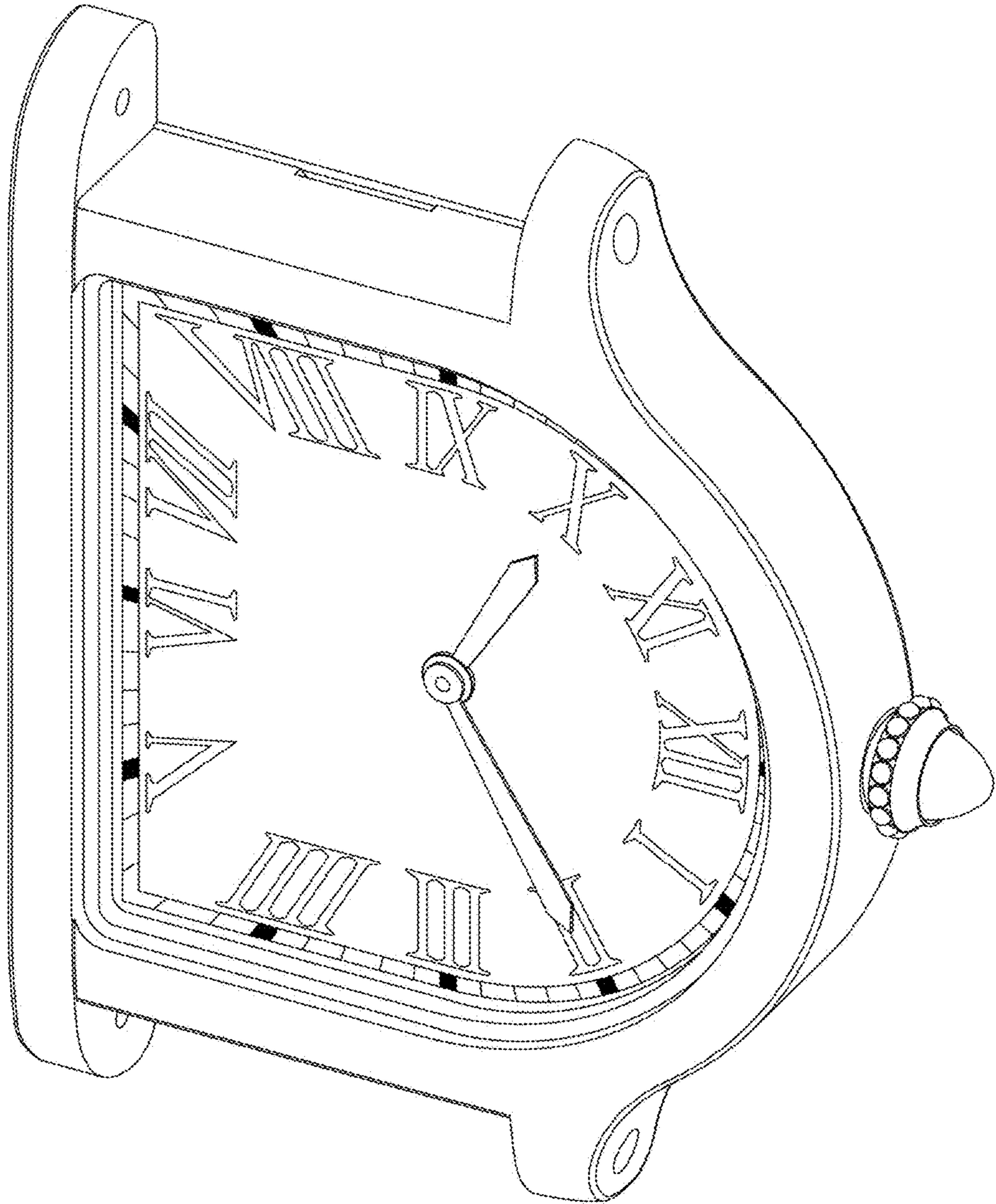
1.5



1.6



1.7



1.8

