



US00D947685S

(12) **United States Design Patent**  
**Gimenez**

(10) **Patent No.:** **US D947,685 S**

(45) **Date of Patent:** **\*\* Apr. 5, 2022**

(54) **WATCH**

G04B 39/008; G04B 39/02; G04B 47/00;  
G04B 47/003; G04B 47/046

(71) Applicant: **Cartier International AG**, Steinhausen  
(CH)

See application file for complete search history.

(72) Inventor: **Nicole Gimenez**, Mont-sur-Rolle (CH)

(56) **References Cited**

(\*\*) Term: **15 Years**

U.S. PATENT DOCUMENTS

(21) Appl. No.: **35/511,317**

D652,328	S	*	1/2012	Laucella	.....	D10/39
D822,510	S	*	7/2018	Kwong	.....	D10/39
D848,866	S	*	5/2019	Behling	.....	D10/39
D850,295	S	*	6/2019	Behling	.....	D10/39
D871,236	S	*	12/2019	Antifora	.....	D10/39
D877,631	S	*	3/2020	Muller	.....	D10/39
D878,218	S	*	3/2020	Grande	.....	D10/39
D881,028	S	*	4/2020	Laucella	.....	D10/39
D906,137	S	*	12/2020	Stern	.....	D10/39
D906,844	S	*	1/2021	Abeillon	.....	D10/39
D919,450	S	*	5/2021	Mechelany	.....	D10/39
D924,699	S	*	7/2021	Gonet	.....	D10/39

(22) Filed: **Jan. 20, 2021**

(80) **Hague Agreement Data**

Int. Filing Date: **Jan. 20, 2021**

Int. Reg. No.: **DM/212456**

Int. Reg. Date: **Jan. 20, 2021**

Int. Reg. Pub. Date: **Feb. 5, 2021**

\* cited by examiner

(51) **LOC (13) Cl.** ..... **10-02**

*Primary Examiner* — George D. Kirschbaum

(52) **U.S. Cl.**  
USPC ..... **D10/39**

(57) **CLAIM**

The ornamental design for a watch, as shown and described.

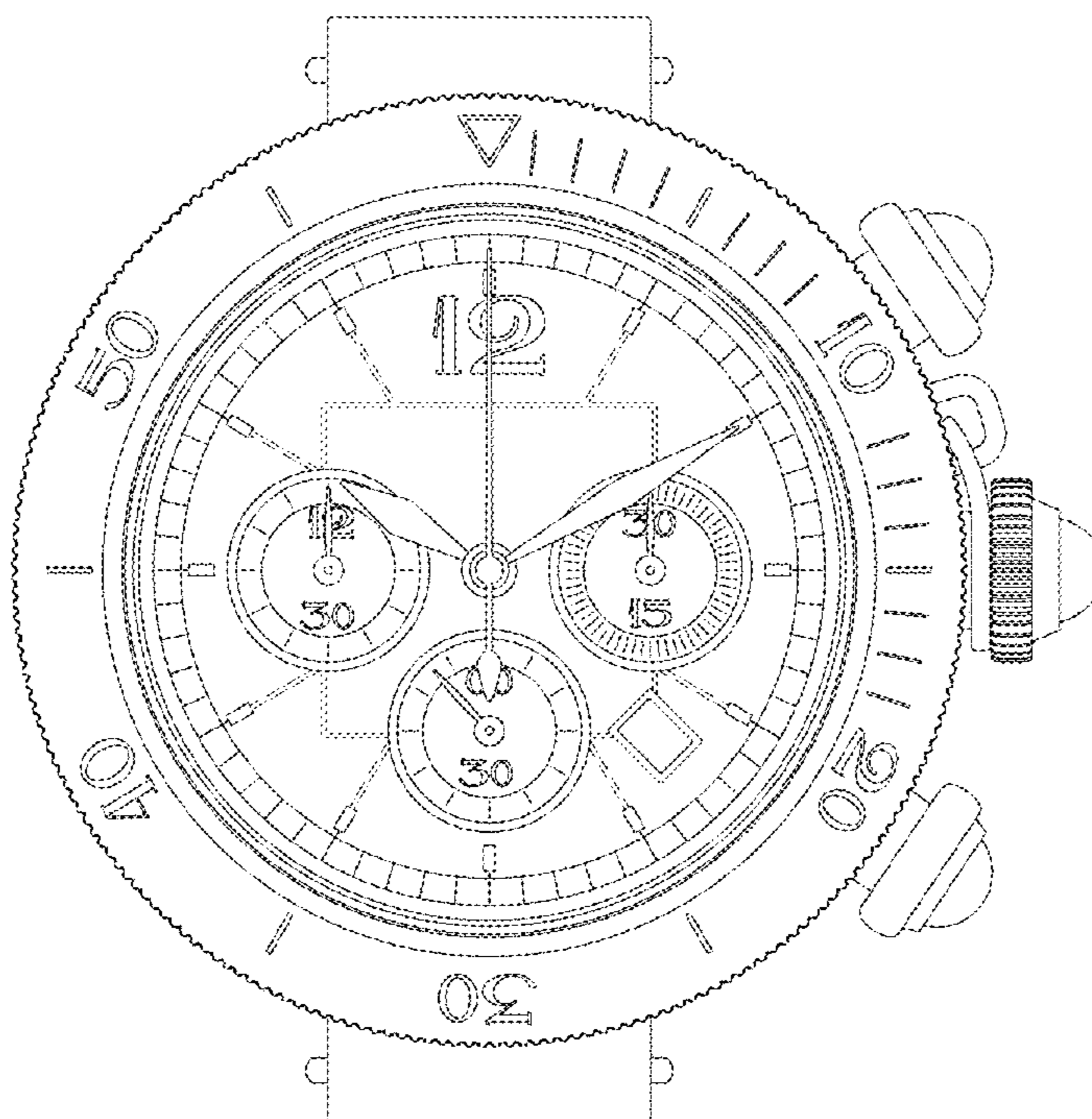
(58) **Field of Classification Search**  
USPC ..... D10/39, 38, 31

**DESCRIPTION**

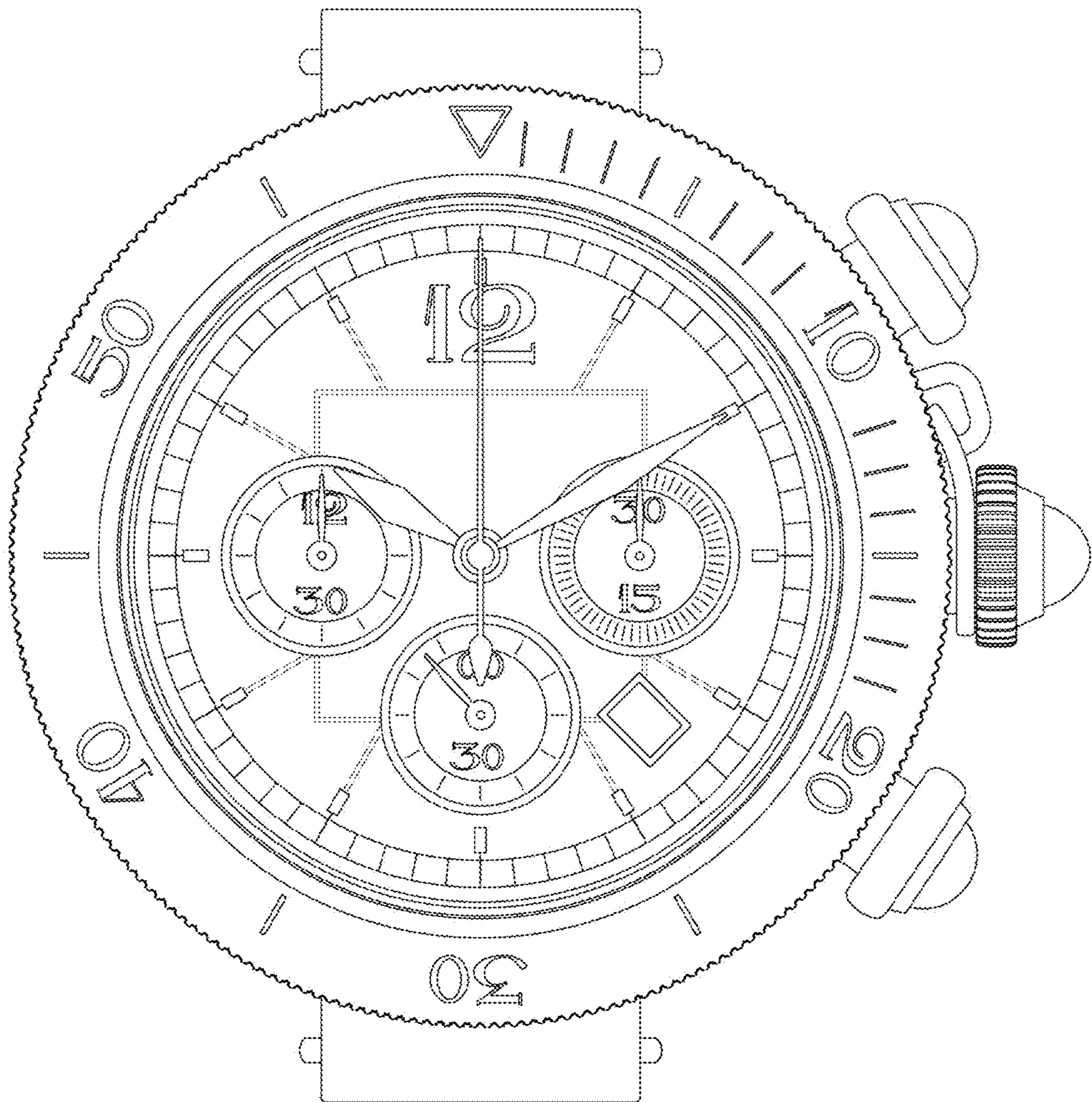
CPC .... G04B 19/223; G04B 19/28; G04B 47/061;  
G04B 47/066; G04B 19/23; G04B  
19/235; G04B 27/00; G04B 37/1486;  
G04B 13/008; G04B 17/00; G04B  
19/221; G04B 19/226; G04B 19/25353;  
G04B 19/26; G04B 25/02; G04B 25/04;  
G04B 45/046; G04B 47/06; G04B  
47/068; G04B 19/025; G04B 19/046;  
G04B 19/20; G04B 19/283; G04B  
37/0083; G04B 37/02; G04B 37/084;  
G04B 37/22; G04B 37/221; G04B 39/00;

1. Watch
- 1.1 is a front view.
- 1.2 is a back view.
- 1.3 is a bottom view.
- 1.4 is a top side view.
- 1.5 is a left side view.
- 1.6 is a right side view.
- 1.7 is a front perspective view.
- 1.8 is a bottom perspective view.

**1 Claim, 8 Drawing Sheets**

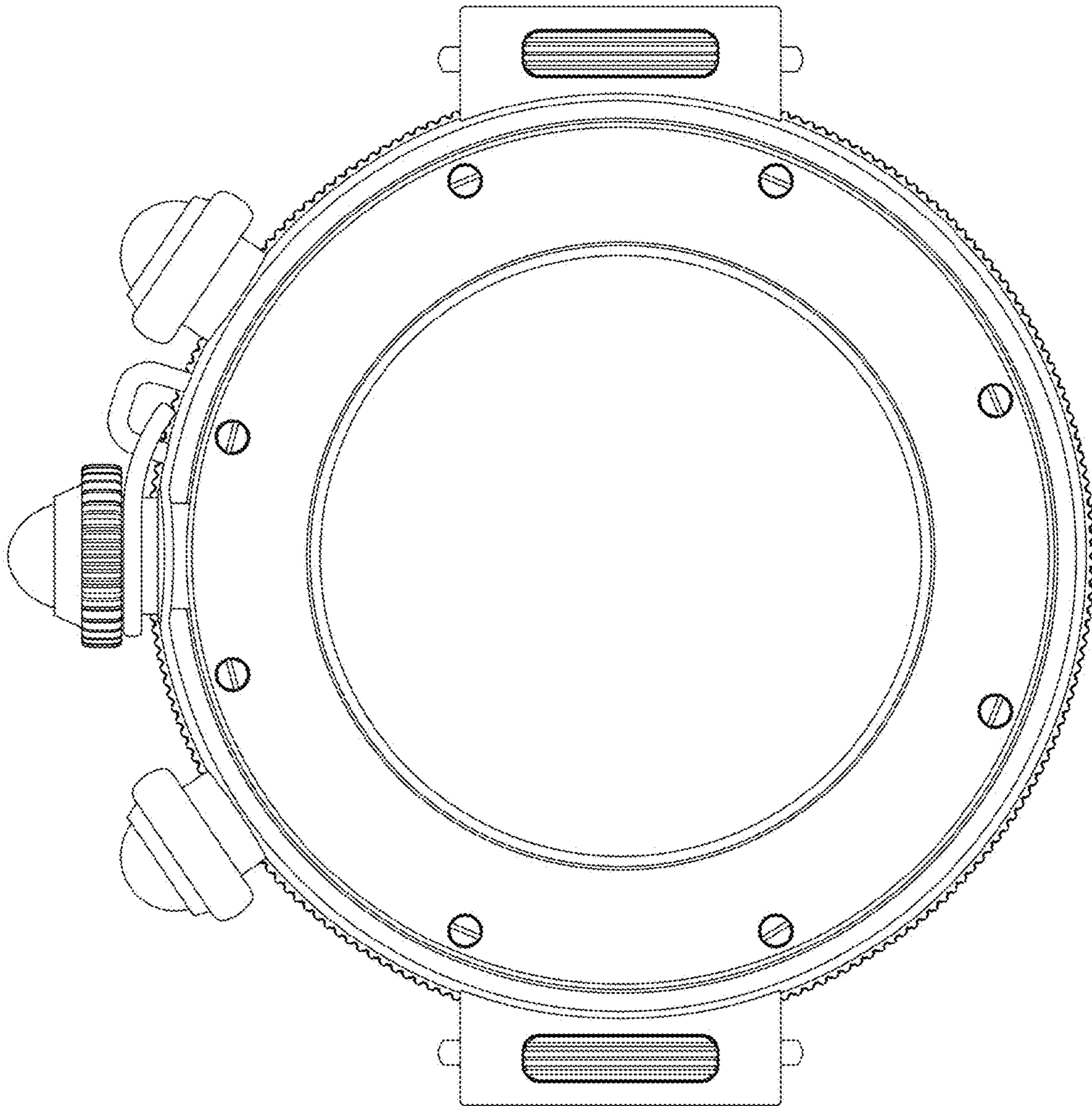


1.1

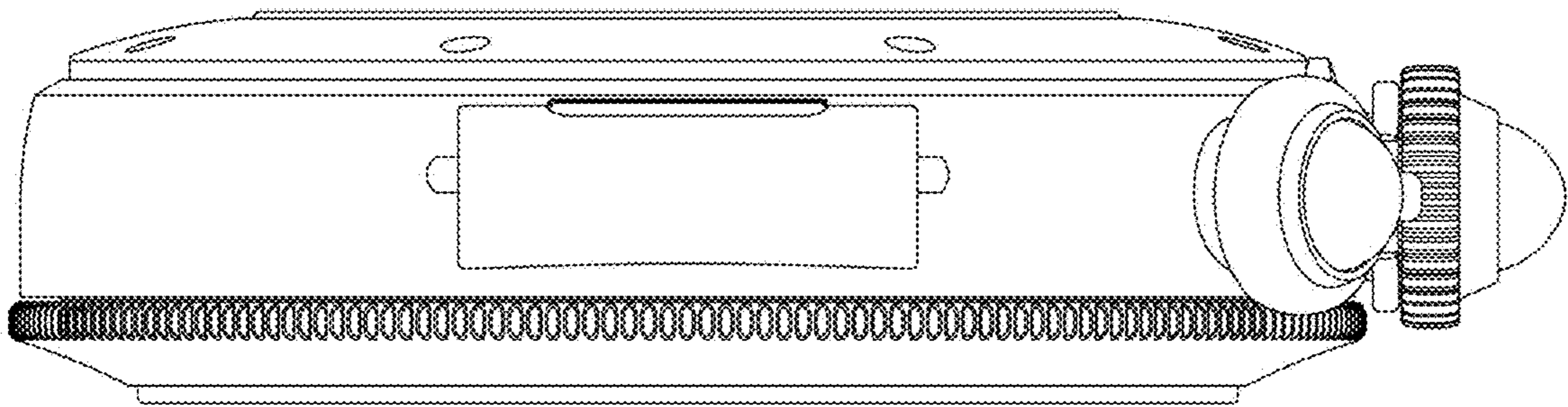




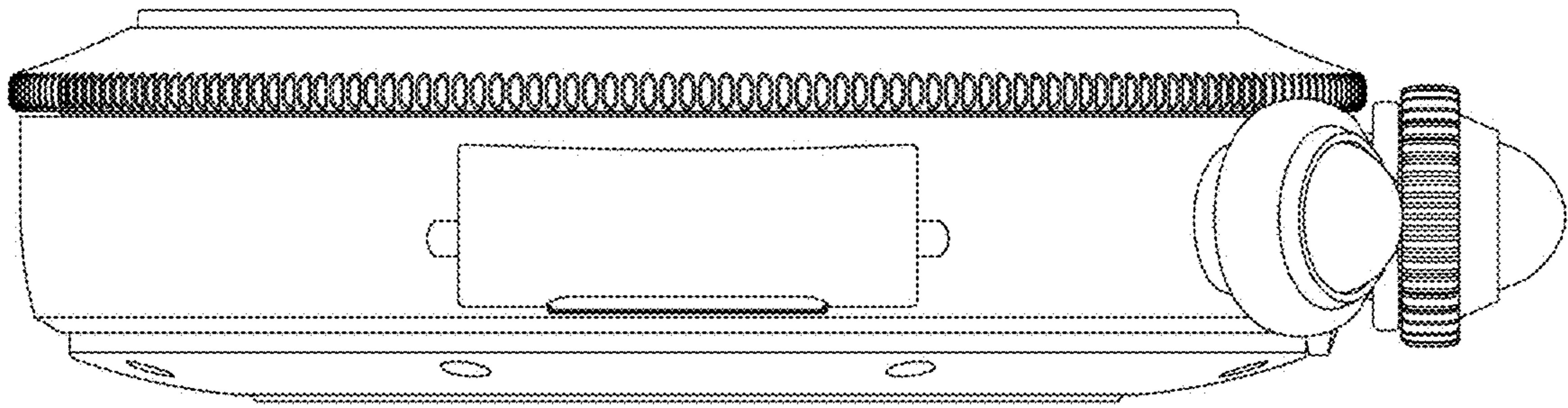
1.2



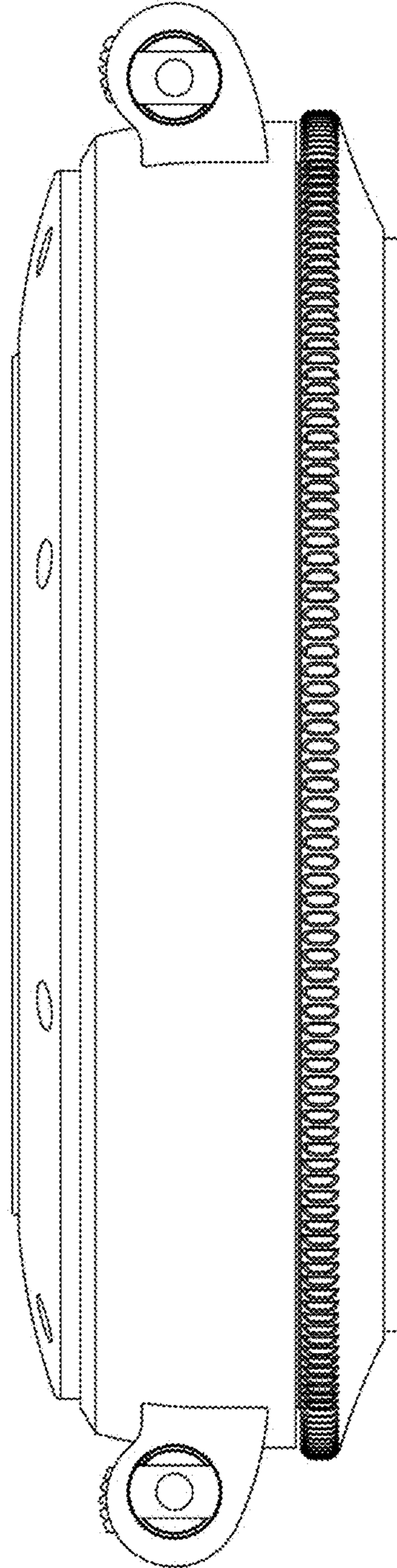
1.3



1.4

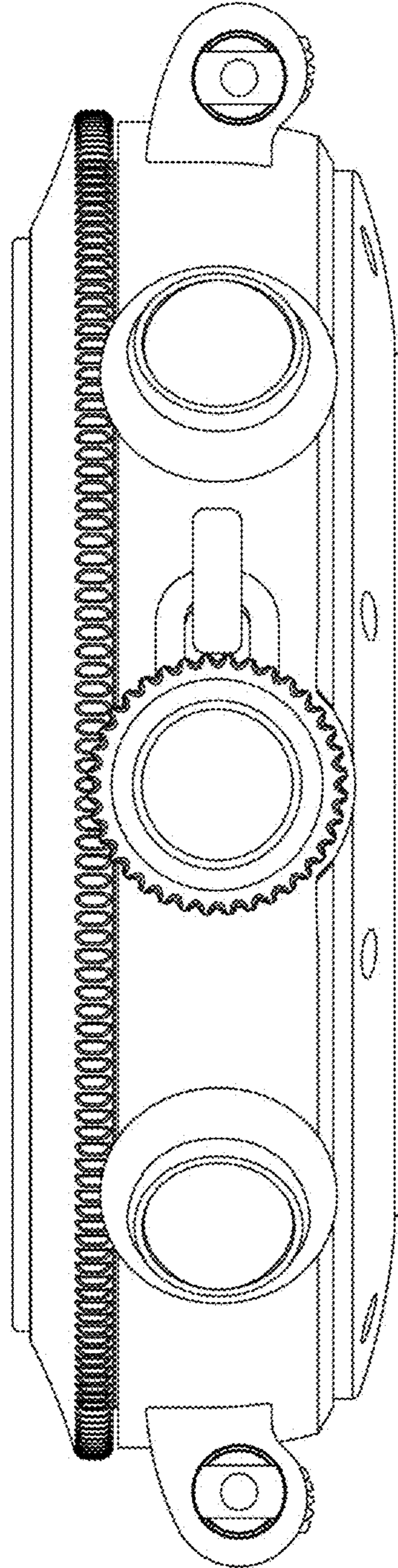


1.5

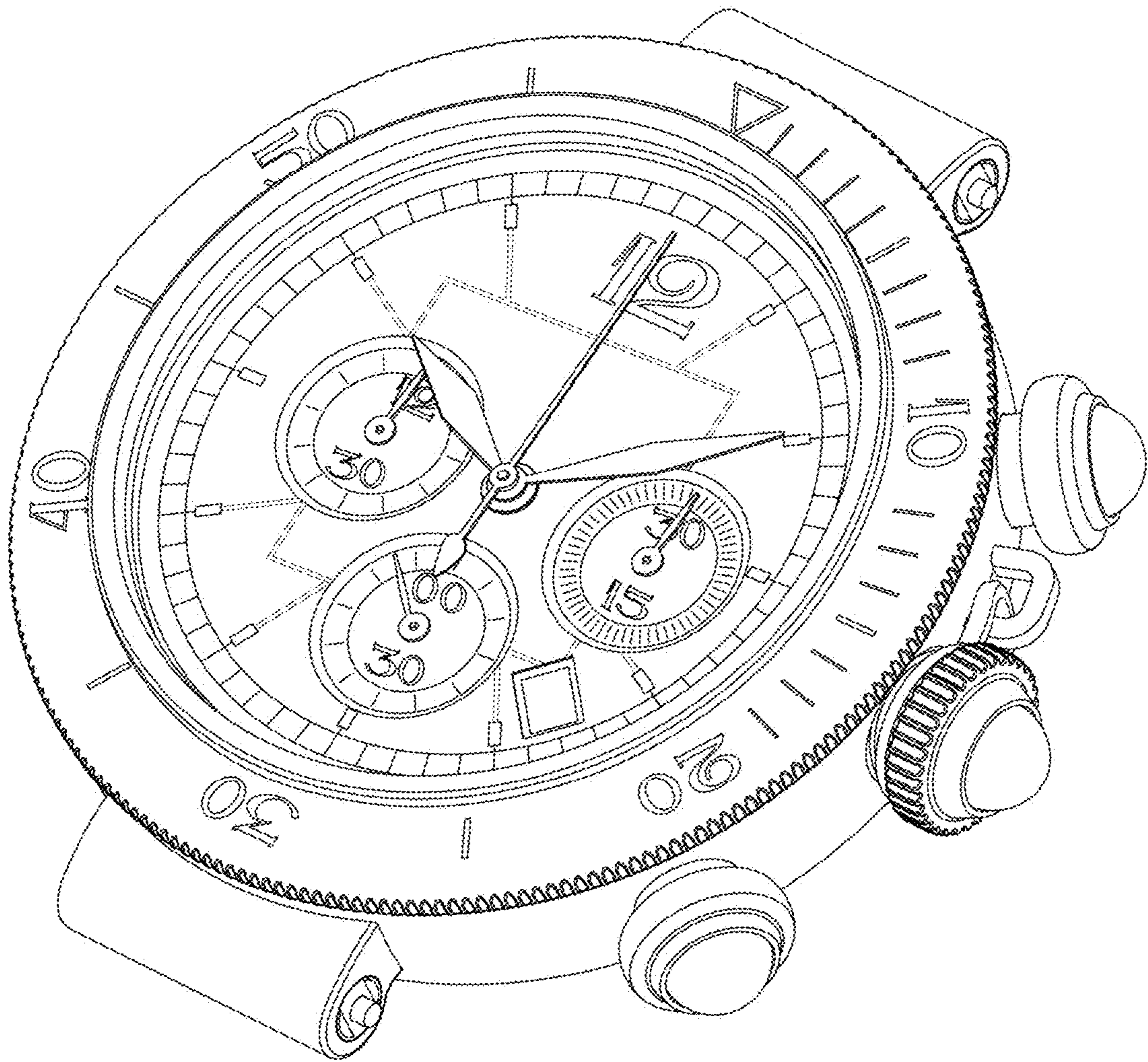




1.6



1.7





1.8

