



US00D947684S

(12) **United States Design Patent**
Bolthausen

(10) **Patent No.:** **US D947,684 S**

(45) **Date of Patent:** **** Apr. 5, 2022**

(54) **WATCH**

(71) Applicant: **RICHEMONT INTERNATIONAL SA, Villars-sur-Glâne (CH)**

(72) Inventor: **Philipp Bolthausen, Geneva (CH)**

(**) Term: **15 Years**

(21) Appl. No.: **35/510,819**

(22) Filed: **Aug. 20, 2020**

(80) **Hague Agreement Data**

Int. Filing Date: **Aug. 20, 2020**

Int. Reg. No.: **DM/211272**

Int. Reg. Date: **Aug. 20, 2020**

Int. Reg. Pub. Date: **Nov. 27, 2020**

(51) **LOC (13) Cl.** **10-02**

(52) **U.S. Cl.**
USPC **D10/39**

(58) **Field of Classification Search**
USPC D10/39, 30, 38, 126
See application file for complete search history.

(56) **References Cited**

U.S. PATENT DOCUMENTS

D59,740 S * 11/1921 Gruen D10/39
D69,291 S * 1/1926 Tannenbaum D10/36

D301,693 S * 6/1989 Canta D10/126
D360,142 S * 7/1995 Polenberg D10/30
D417,158 S * 11/1999 Krauss D10/30
D552,491 S * 10/2007 Vidal D10/38
D586,683 S * 2/2009 Pitton D10/126
D856,164 S * 8/2019 Berneron D10/39
D856,165 S * 8/2019 Berneron D10/39
D856,824 S * 8/2019 Berneron D10/39
D858,313 S * 9/2019 Berneron D10/30
D874,947 S * 2/2020 Berneron D10/39
D878,220 S * 3/2020 Legeay D10/39

* cited by examiner

Primary Examiner — George D. Kirschbaum

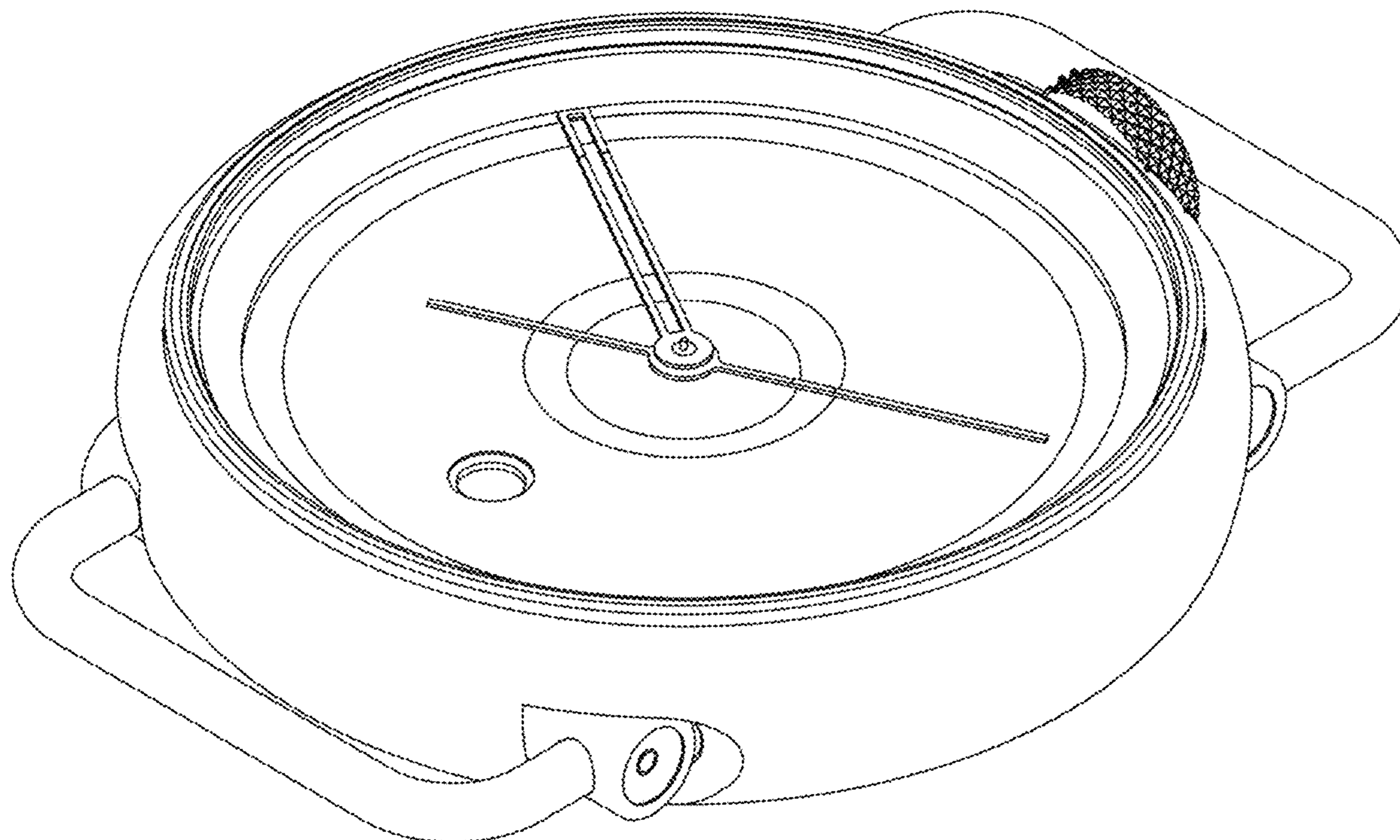
(57) **CLAIM**

The ornamental design for a watch, as shown and described.

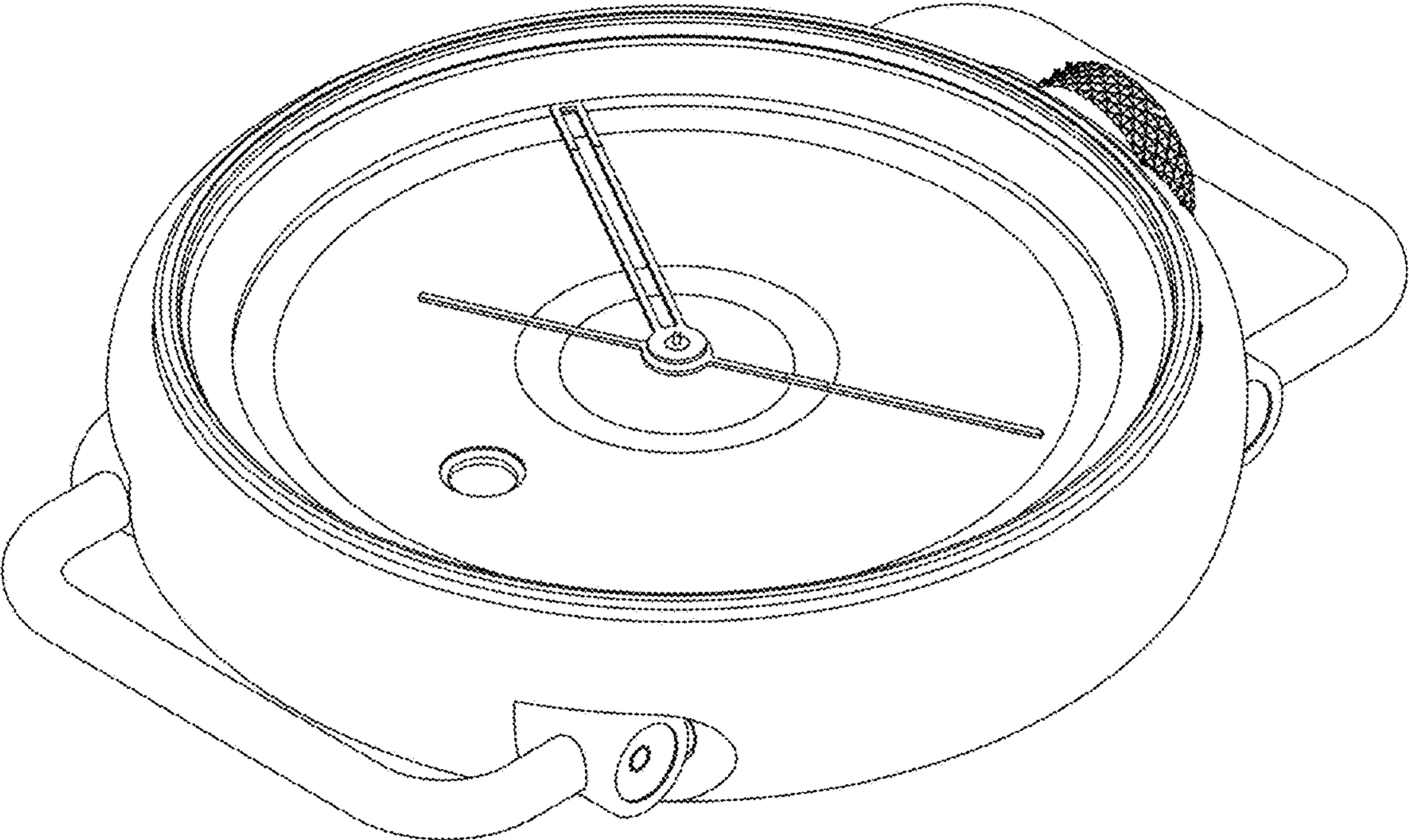
DESCRIPTION

1.1 is a perspective view of a watch showing my new design;
1.2 is a front view thereof;
1.3 is back view thereof;
1.4 is a left side view thereof;
1.5 is a right side view thereof;
1.6 is a top view thereof; and
1.7 is a bottom view thereof.

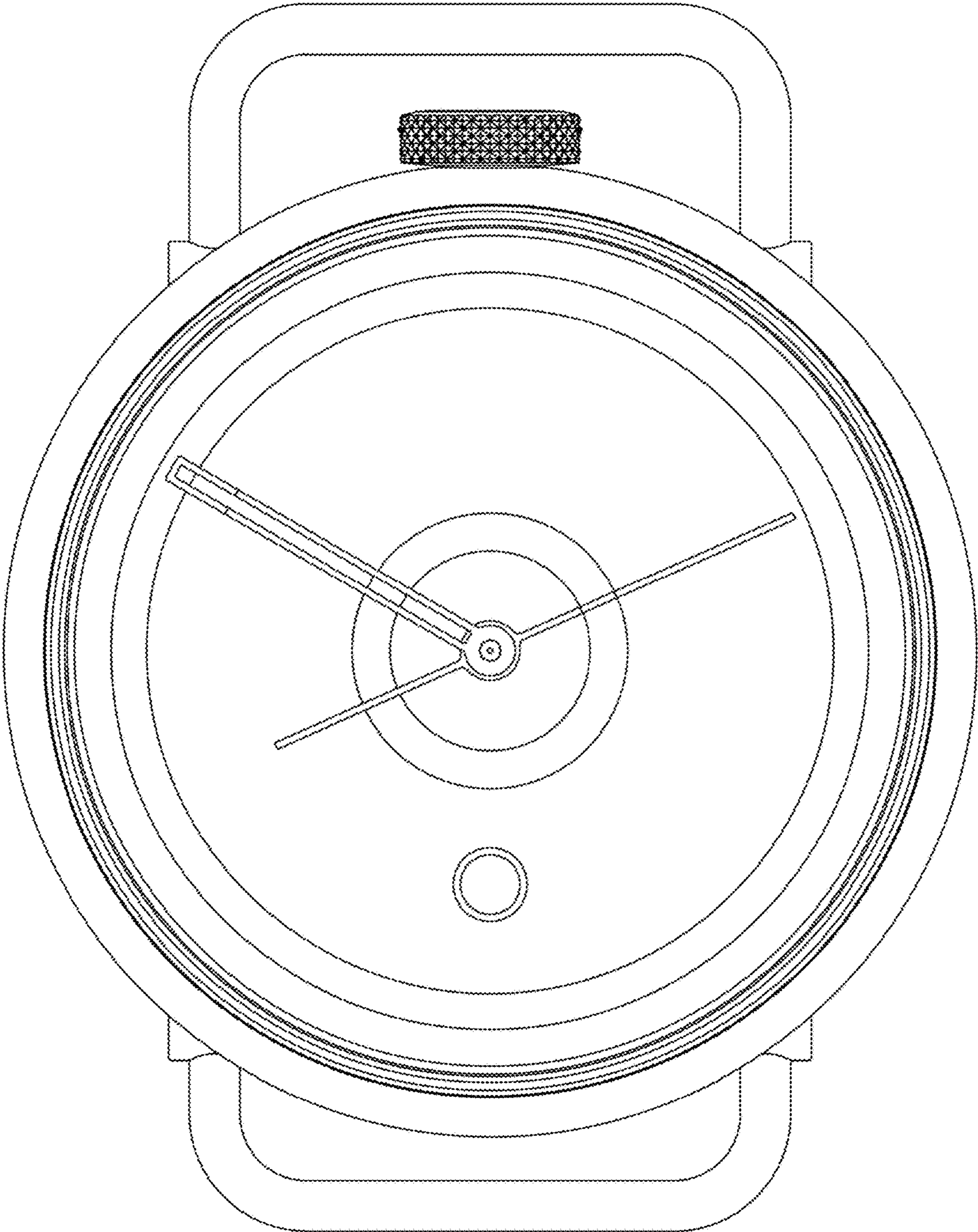
1 Claim, 7 Drawing Sheets



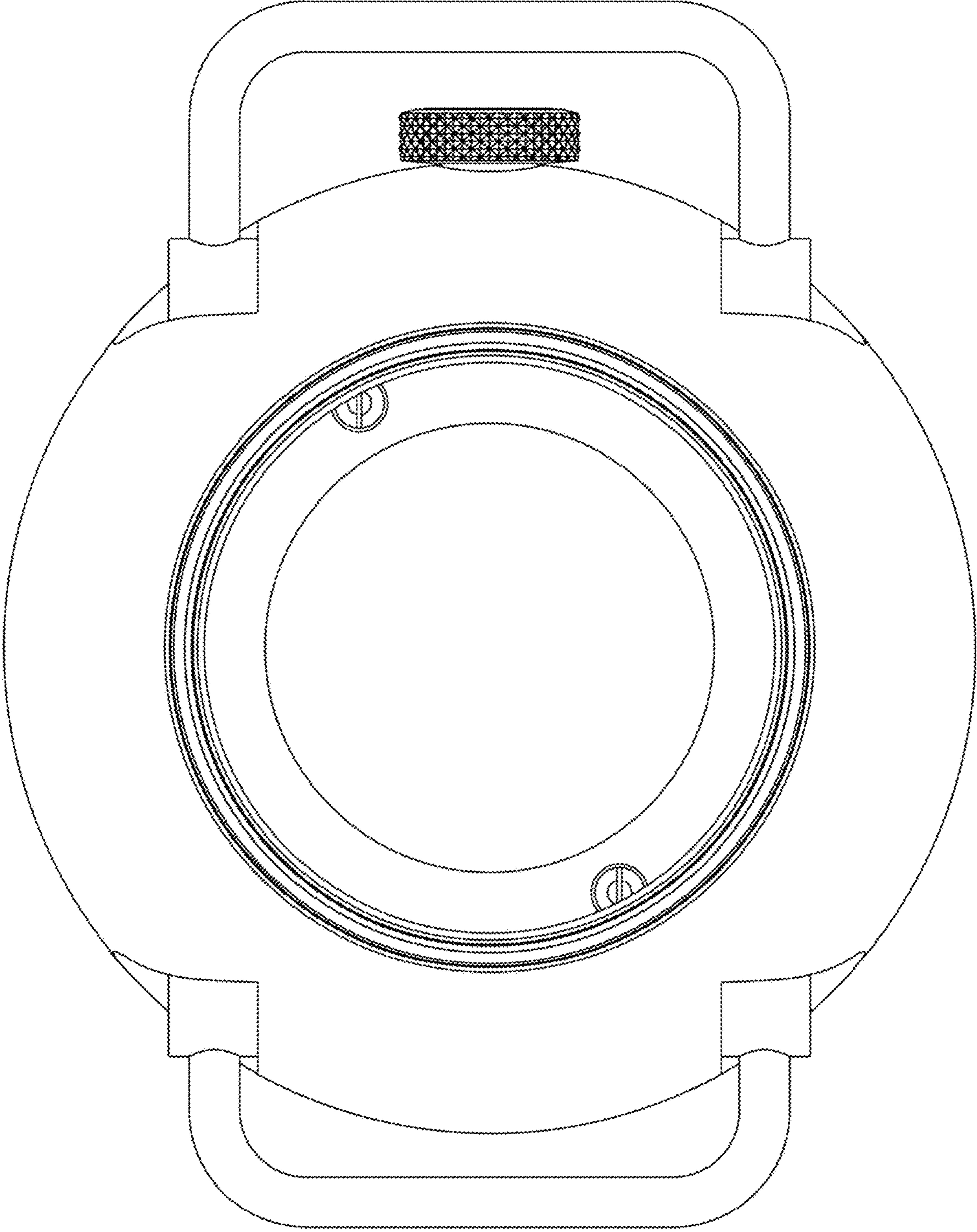
1.1



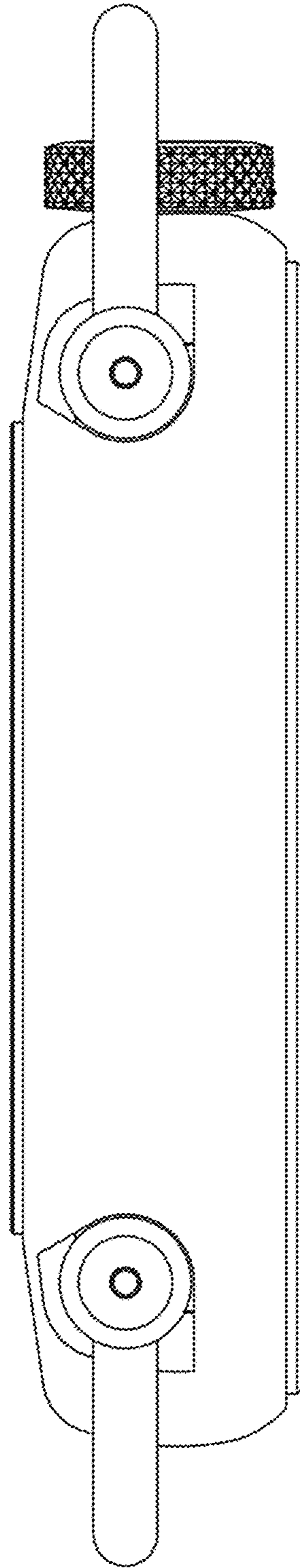
1.2



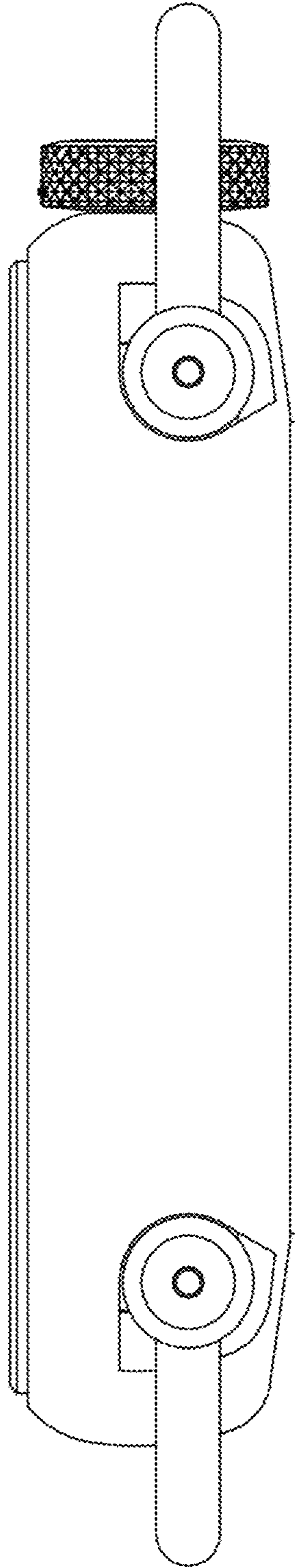
1.3



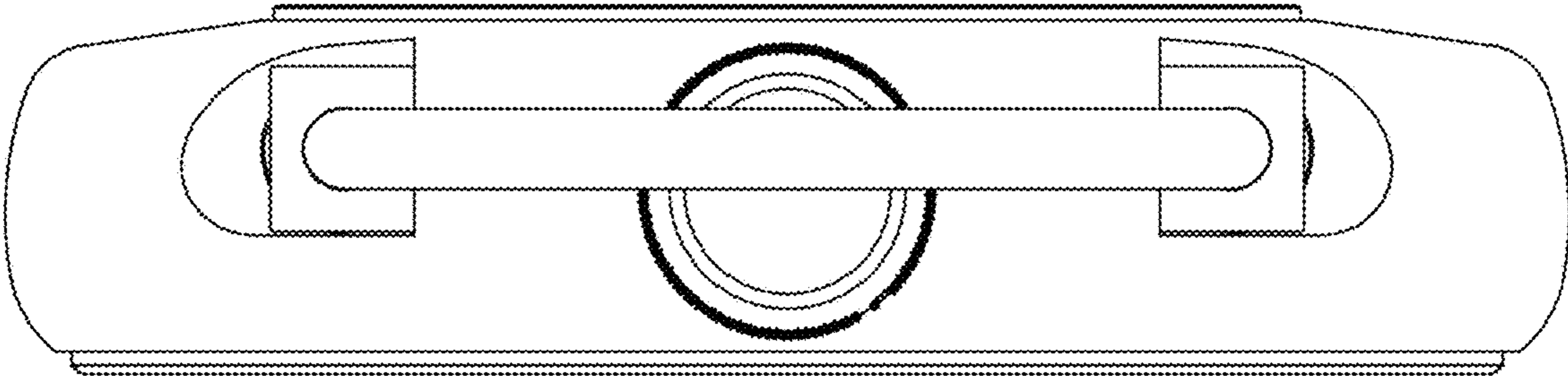
1.4



1.5



1.6



1.7

