



US00D947678S

(12) **United States Design Patent**
Cartis et al.

(10) **Patent No.:** **US D947,678 S**
(45) **Date of Patent:** **** Apr. 5, 2022**

(54) **BOTTLE**

FOREIGN PATENT DOCUMENTS

(71) Applicant: **PepsiCo, Inc.**, Purchase, NY (US)

BR 302012000578-7 3/2013
CA 106315 3/2006

(72) Inventors: **Emilian Dan Cartis**, London (GB);
Balazs Kovacs, London (GB); **Philippe Leys**, Oostduinkerke (BE); **Ted Murphy**, Cork (IE); **Denis O’Callaghan**, Cork (IE); **Emma Caselton**, London (GB)

(Continued)

OTHER PUBLICATIONS

(73) Assignee: **PepsiCo, Inc.**, Purchase, NY (US)

Doodle, Feb. 13, 2017, Amazon.com review Post: Juice Bottle, URL: https://www.amazon.com/Clear-Grade-Plastic-Juice-Bottles/dp/B014LPMZAA/ref=sr_1_11?keywords=juice%2Bpackaging&qid=1636132723&qsid=132-2879559-7109260&sr=8-11&sres=B07V3PMXNG%2CB07FB47JGH%2CB08SQ3XJZ7%2CB093D9Z9M7%2CB08TWMVX56%2CB01ADB (Year: 2017).*

(**) Term: **15 Years**

(Continued)

(21) Appl. No.: **29/810,255**

Primary Examiner — Brett Miller

(22) Filed: **Oct. 4, 2021**

Assistant Examiner — Rani J Abdallah

Related U.S. Application Data

(74) *Attorney, Agent, or Firm* — Sterne, Kessler, Goldstein & Fox P.L.L.C.

(63) Continuation of application No. 29/743,545, filed on Jul. 22, 2020, now Pat. No. Des. 932,313, which is a (Continued)

(51) **LOC (13) Cl.** **09-01**

(57) **CLAIM**

(52) **U.S. Cl.**
USPC **D9/560**; D9/516; D9/575

The ornamental design for a bottle, as shown and described.

(58) **Field of Classification Search**
USPC D9/434, 505, 516, 540, 550, 668, 670, D9/681, 687, 694, 700, 537, 538, 500, D9/520, 539, 503, 558, 690, 552, 556, D9/530, 541, 522, 448, 566, 454, 542, D9/559, 560, 563, 573, 574; D7/500–506, 508–524

DESCRIPTION

CPC .. B65D 1/0223; B65D 83/205; B65D 83/206; B65D 2501/0081; B65D 79/005; B65D 2501/0036; B65D 1/0276; B65D 1/0284; (Continued)

FIG. 1 is a top front perspective view of a bottle showing the claimed design;
FIG. 2 is a bottom rear perspective view thereof;
FIG. 3 is a front view thereof;
FIG. 4 is a rear view thereof;
FIG. 5 is a left side view thereof;
FIG. 6 is a right side view thereof;
FIG. 7 is a top view thereof; and,
FIG. 8 is a bottom view thereof.

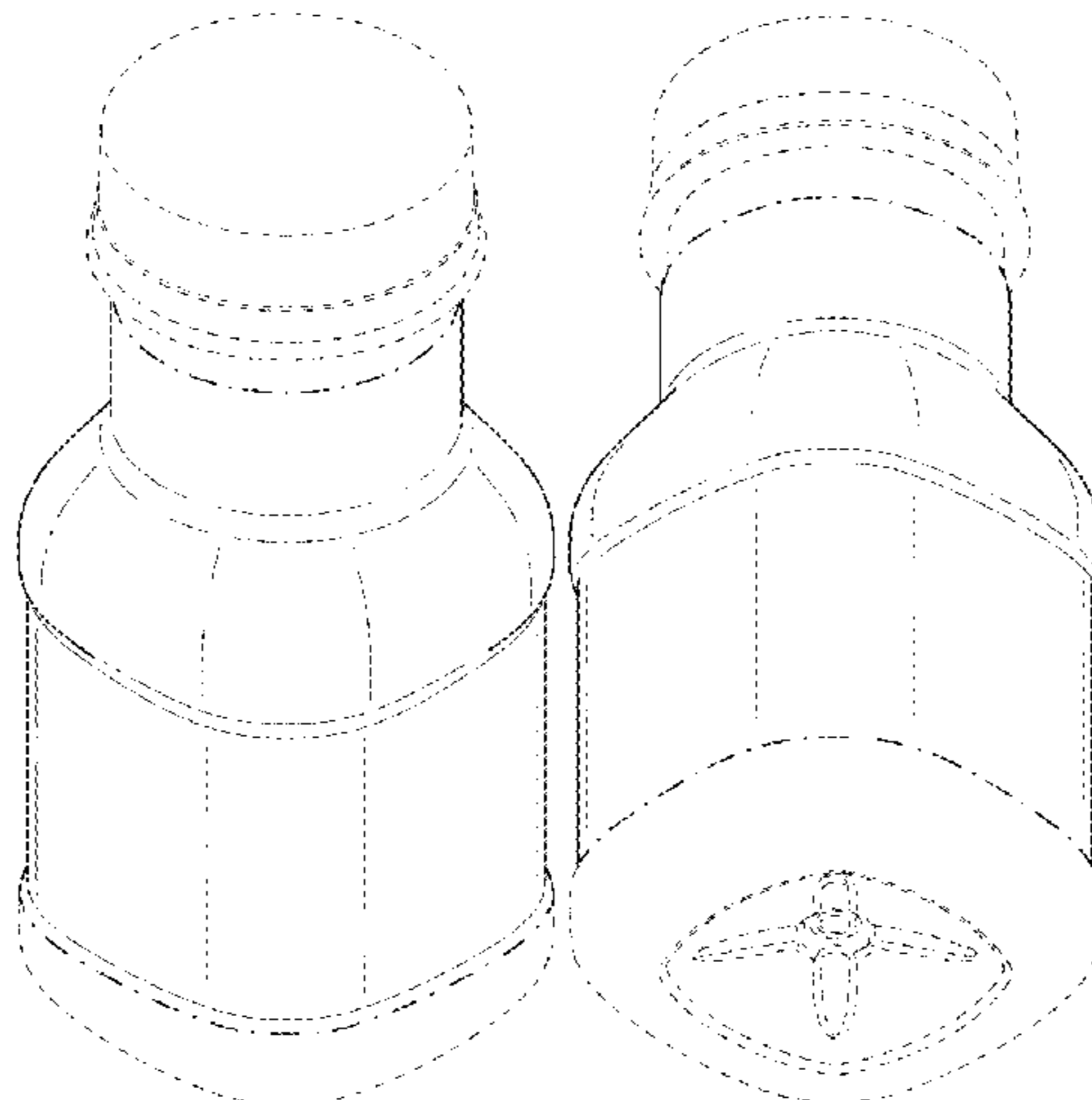
(56) **References Cited**

U.S. PATENT DOCUMENTS

D29,673 S 11/1898 Nightingale
D56,983 S 1/1921 Lewis
(Continued)

The dashed broken lines in the figures show portions of the bottle that form no part of the claimed design.
The dot-dash broken lines in the figures show boundaries that form no part of the claimed design.

1 Claim, 7 Drawing Sheets



Related U.S. Application Data

continuation of application No. 29/691,783, filed on May 20, 2019, now Pat. No. Des. 893,307, which is a continuation of application No. 29/677,327, filed on Jan. 18, 2019, now Pat. No. Des. 893,305.

(58) **Field of Classification Search**

CPC Y10S 220/906; B29L 2031/7158; B29B 2911/14026; B29C 49/06; B29C 49/0005
See application file for complete search history.

(56)

References Cited

U.S. PATENT DOCUMENTS

D103,987 S	4/1937	Ennever
D107,586 S	12/1937	Toulhouse
D119,303 S	3/1940	Deletzke
D132,180 S	4/1942	Ireys
D187,399 S	3/1960	Campbell
D208,953 S	10/1967	Belcher et al.
D233,828 S	12/1974	Leary
D236,587 S	9/1975	Krefa
D266,741 S	11/1982	Cox
D275,368 S	9/1984	du Chambon
D322,213 S	12/1991	Maginnis, Jr.
D330,861 S	11/1992	Lower
D352,461 S	11/1994	Flanagan et al.
D383,070 S	9/1997	Workman et al.
D422,915 S	4/2000	Hestehave et al.
D423,366 S	4/2000	Gans
D425,793 S	5/2000	Walker
D426,161 S	6/2000	Hestehave et al.
D426,469 S	6/2000	Mankowski et al.
D428,576 S	7/2000	Walker
D435,455 S	12/2000	Gans
D455,656 S	4/2002	Gans et al.
D456,272 S	4/2002	Sadeghi et al.
D458,146 S	6/2002	Sadeghi et al.
D459,655 S	7/2002	Darr et al.
D463,287 S	9/2002	Moore et al.
D465,418 S	11/2002	Thierjung
D468,645 S	1/2003	Nelson et al.
D470,058 S	2/2003	Bryant et al.
D471,466 S	3/2003	Nelson et al.
D475,926 S	6/2003	Rusnock et al.
D481,640 S	11/2003	Biesecker
D482,978 S	12/2003	Nelson
D484,415 S	12/2003	Hadtke et al.
D488,060 S	4/2004	Yourist
D491,068 S	6/2004	Heliste et al.
D503,620 S	4/2005	Taylor
D510,529 S	10/2005	Yates, III
6,997,336 B2	2/2006	Yourist et al.
D539,159 S	3/2007	Slat et al.
D542,668 S	5/2007	Arthur et al.
D569,261 S	5/2008	Sequiera
D594,331 S	6/2009	Herb et al.
D594,342 S	6/2009	Pare et al.
D594,748 S	6/2009	Herb et al.
D596,488 S	7/2009	Chupak
D596,942 S	7/2009	Britto

D605,047 S	12/2009	Brindfors
D610,017 S	2/2010	Howell et al.
7,673,764 B2	3/2010	Sabold
D624,823 S	10/2010	Brown
D646,178 S	10/2011	Barber et al.
D655,179 S	3/2012	Kraft et al.
D656,405 S	3/2012	Byron
D664,857 S	8/2012	Finlay et al.
D666,918 S	9/2012	Finlay et al.
D691,893 S	10/2013	Finlay et al.
D706,633 S	6/2014	Reisig et al.
D719,455 S	12/2014	Perez-Cabrera
D736,641 S	8/2015	Manne et al.
D747,971 S	1/2016	Peacock
D758,875 S	6/2016	Peacock
D779,335 S	2/2017	Chia et al.
D790,968 S	7/2017	Thompson
D798,161 S	9/2017	Bayani
D798,725 S	10/2017	Stoiber
D802,434 S	11/2017	Thompson
D811,231 S	2/2018	Thompson
D815,952 S	4/2018	Chung
D830,187 S	10/2018	Oesch, Jr. et al.
D833,293 S	11/2018	Lin
D838,182 S	1/2019	Landis et al.
D847,636 S	5/2019	Harris et al.
D847,655 S	5/2019	Lee et al.
D873,141 S	1/2020	Wiebelitz
D889,975 S	7/2020	Cartis et al.
D893,305 S	8/2020	Cartis et al.
D893,306 S	8/2020	Cartis et al.
D893,307 S	8/2020	Cartis et al.
D906,817 S	1/2021	Abercrombie et al.

FOREIGN PATENT DOCUMENTS

CN	304183112	6/2017
CN	304248438	8/2017
CN	304304842	10/2017
CN	304448551	1/2018
CN	305279588	7/2019
CN	305279590	7/2019
EM	000854666-0001	1/2008
EM	001095350-0003	2/2009
EM	001133052-0003	4/2009
EM	001216568-0019	5/2010
EM	001817024-0003	2/2011
EM	002093708-0006	8/2012
GB	4005313	11/2007
GB	4010479	7/2009

OTHER PUBLICATIONS

Amazon Customer, Sep. 1, 2018, Amazon.com Review Post: North Mountain Supply ST-8OZ-BKP 8 Ounce Glass Stout Sauce Bottle, URL: https://www.amazon.com/North-Mountain-Supply-Ounce-Bottle/dp/B07PVCHPC5/ref=sr_1_78?keywords=8%2Boz%2BSmall%2BPlastic%2Bbottle&qid=1636132448&s=industrial&sr=1-78&th=1#customerReviews (Year: 2018).*

* cited by examiner

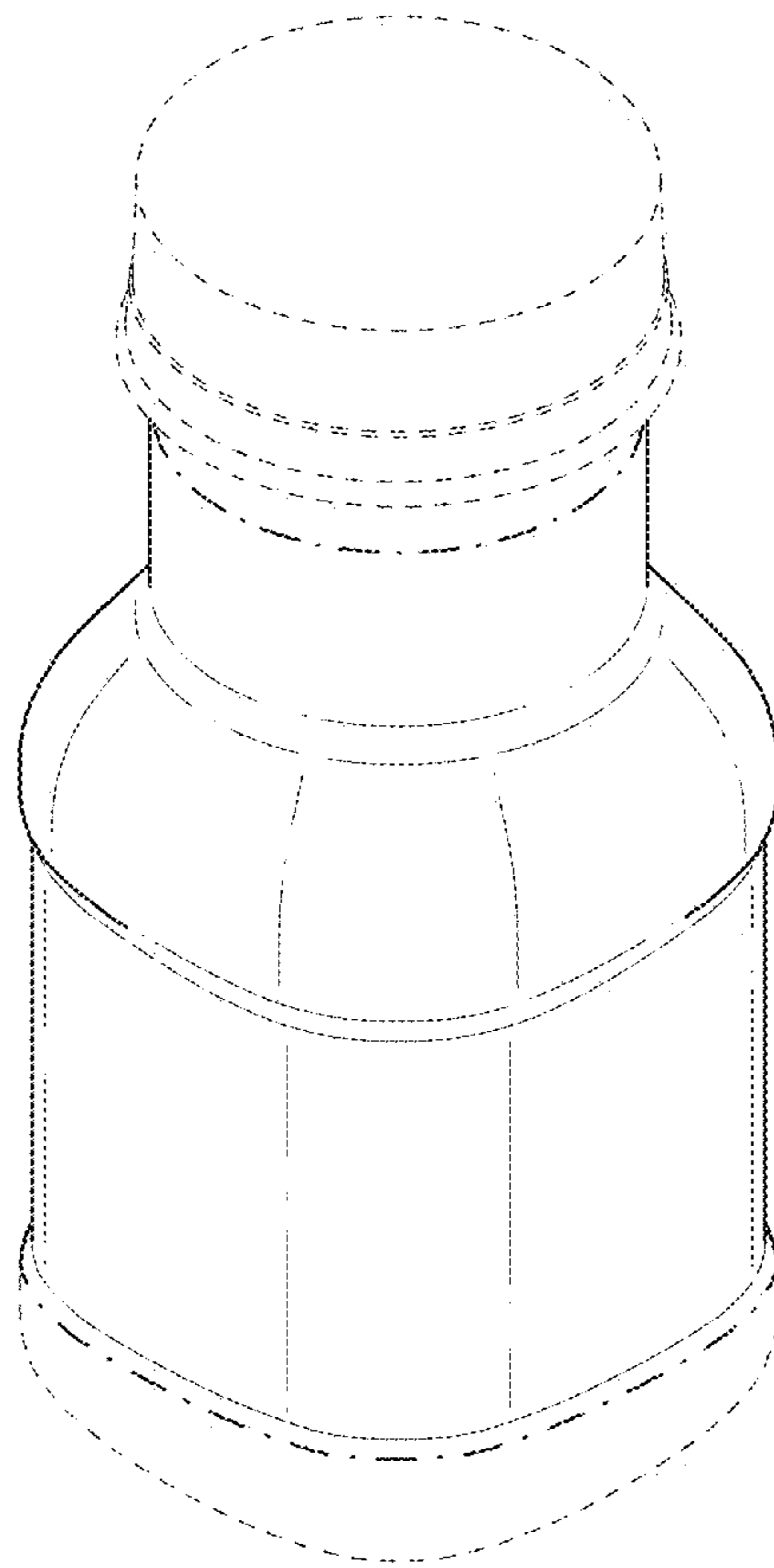


FIG. 1

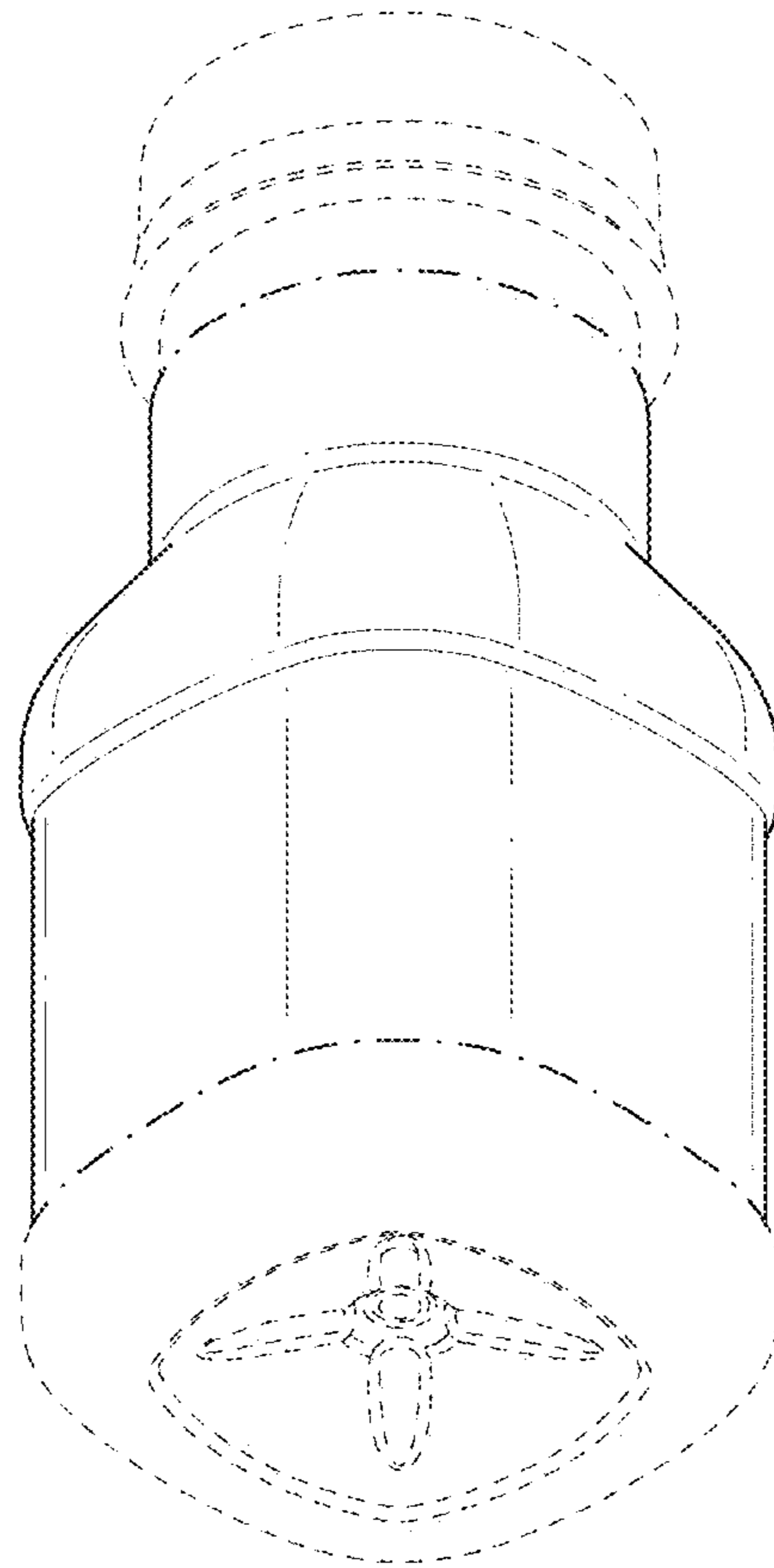


FIG. 2

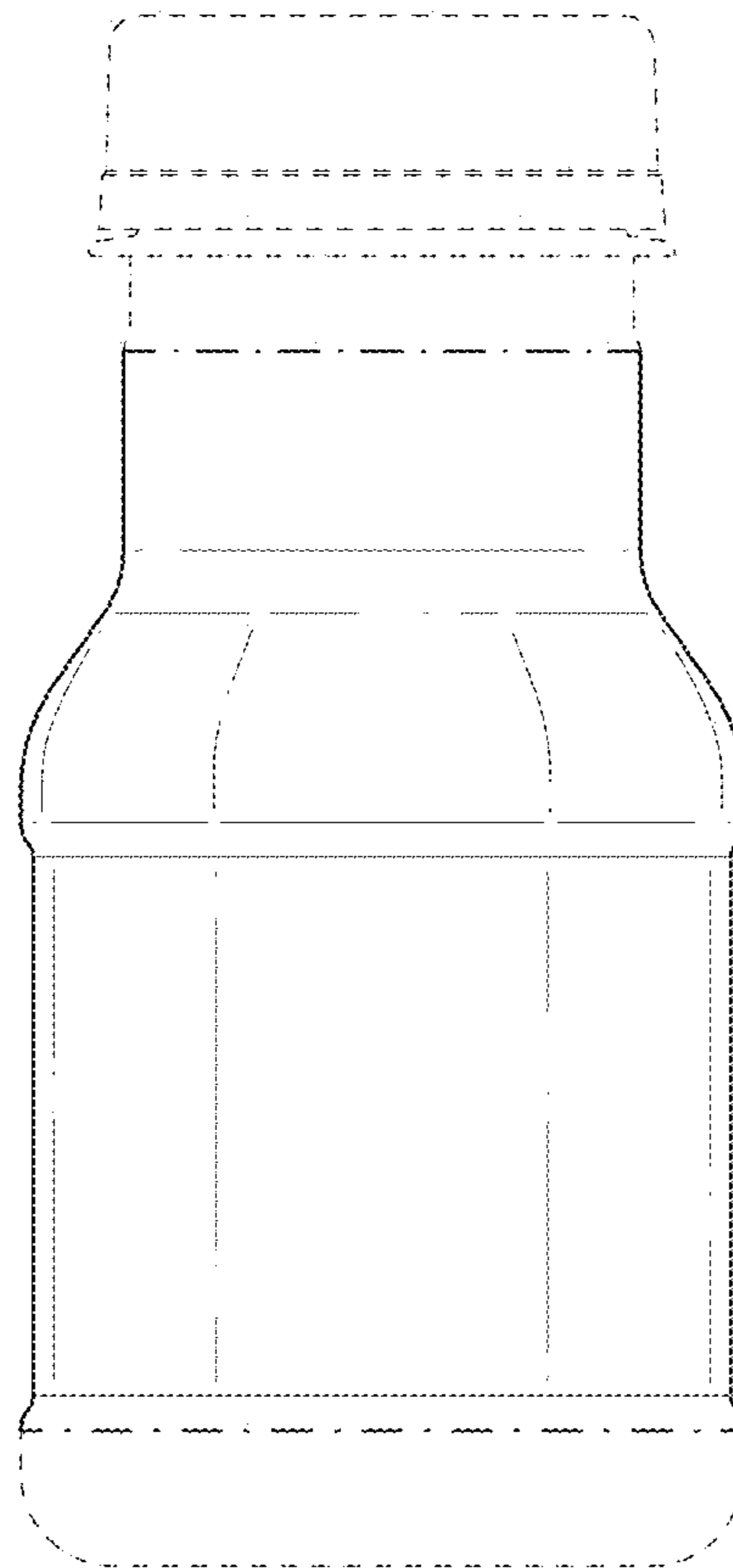


FIG. 3

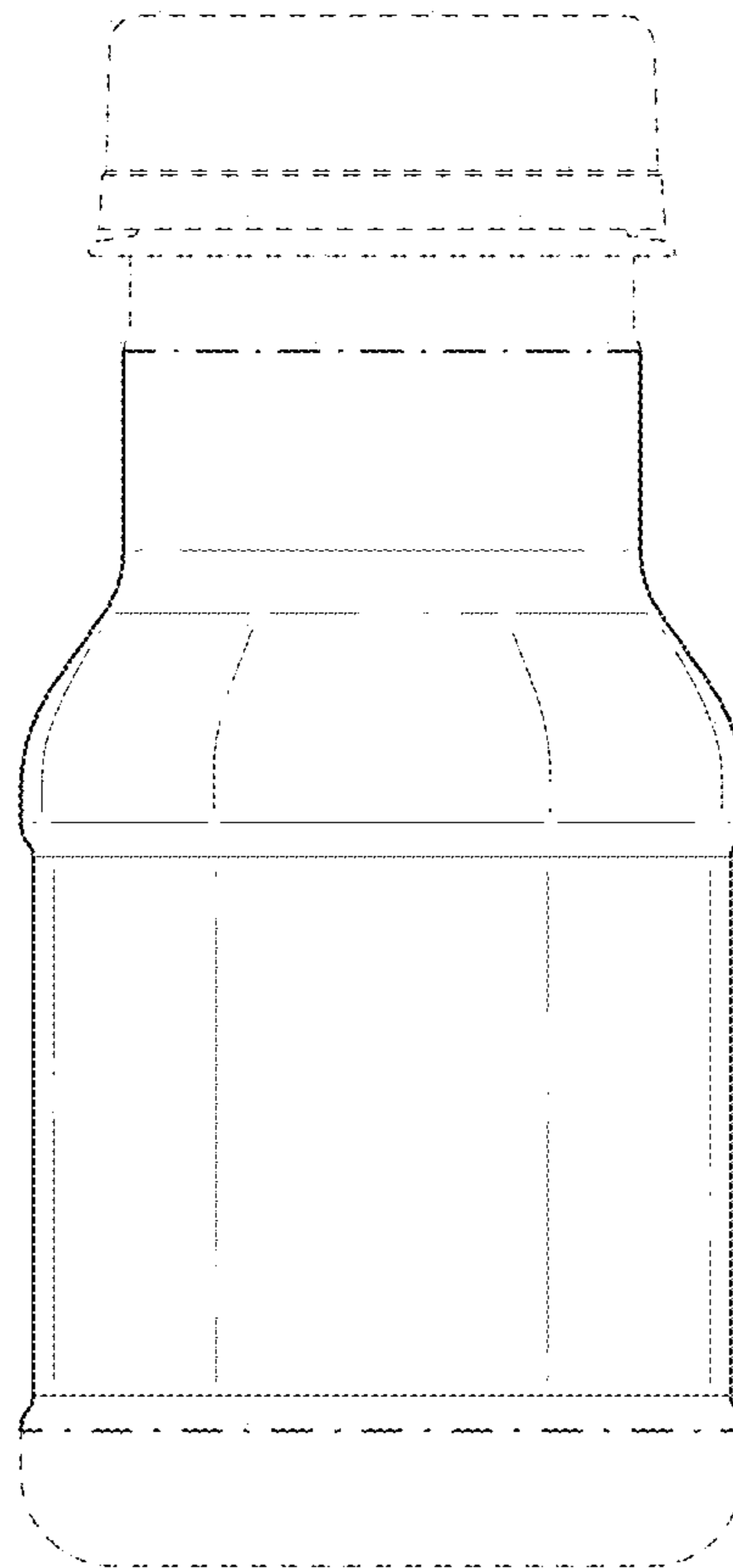


FIG. 4

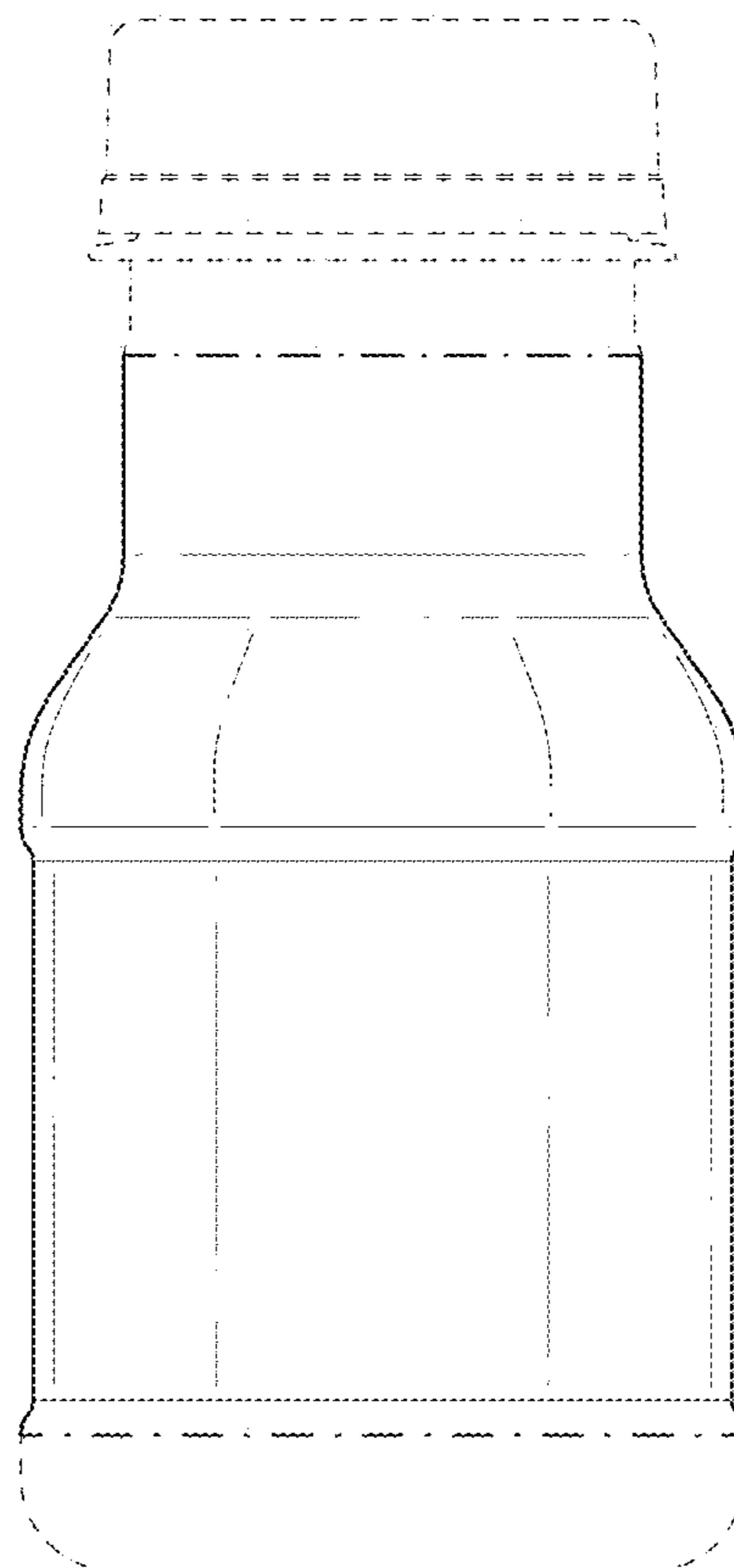


FIG. 5

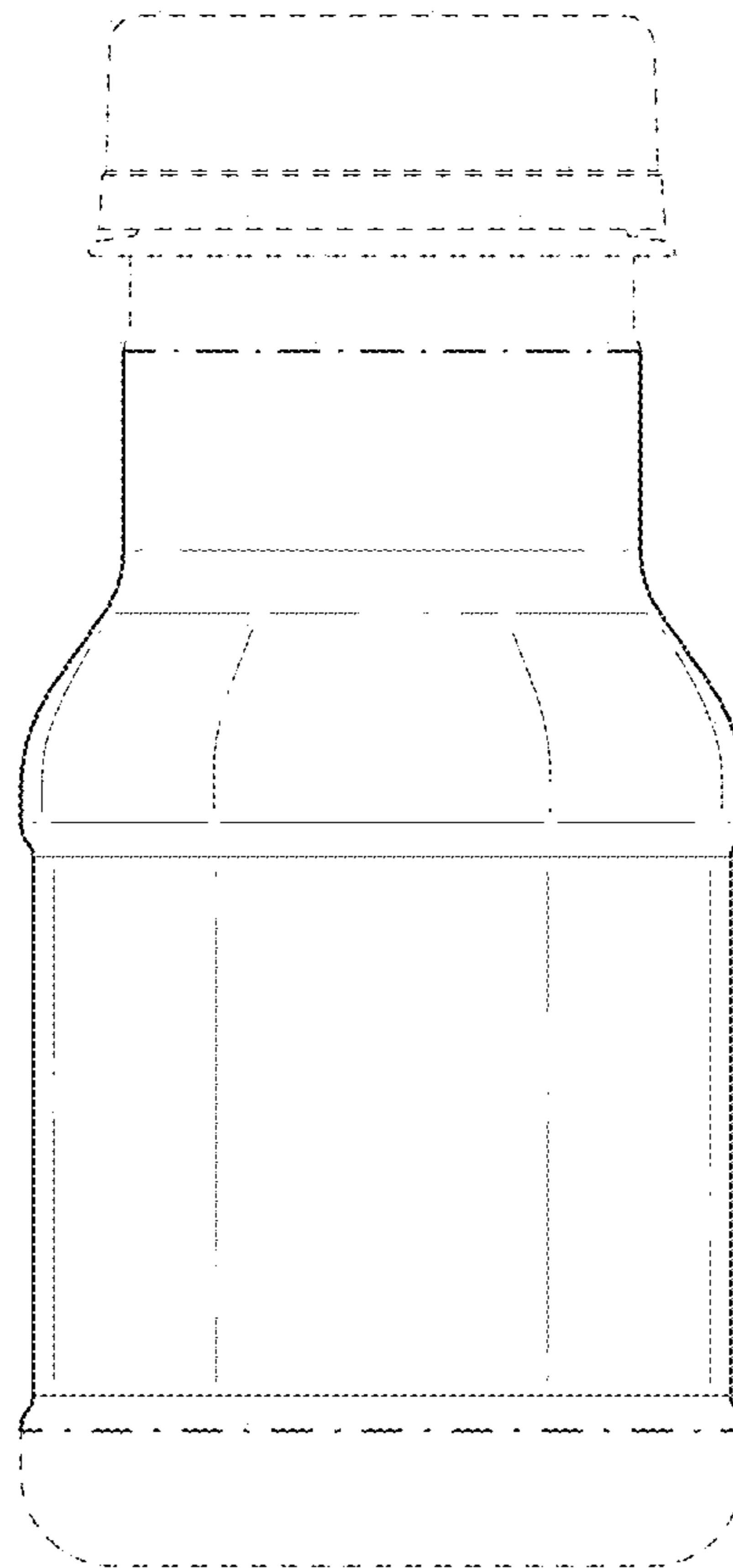


FIG. 6

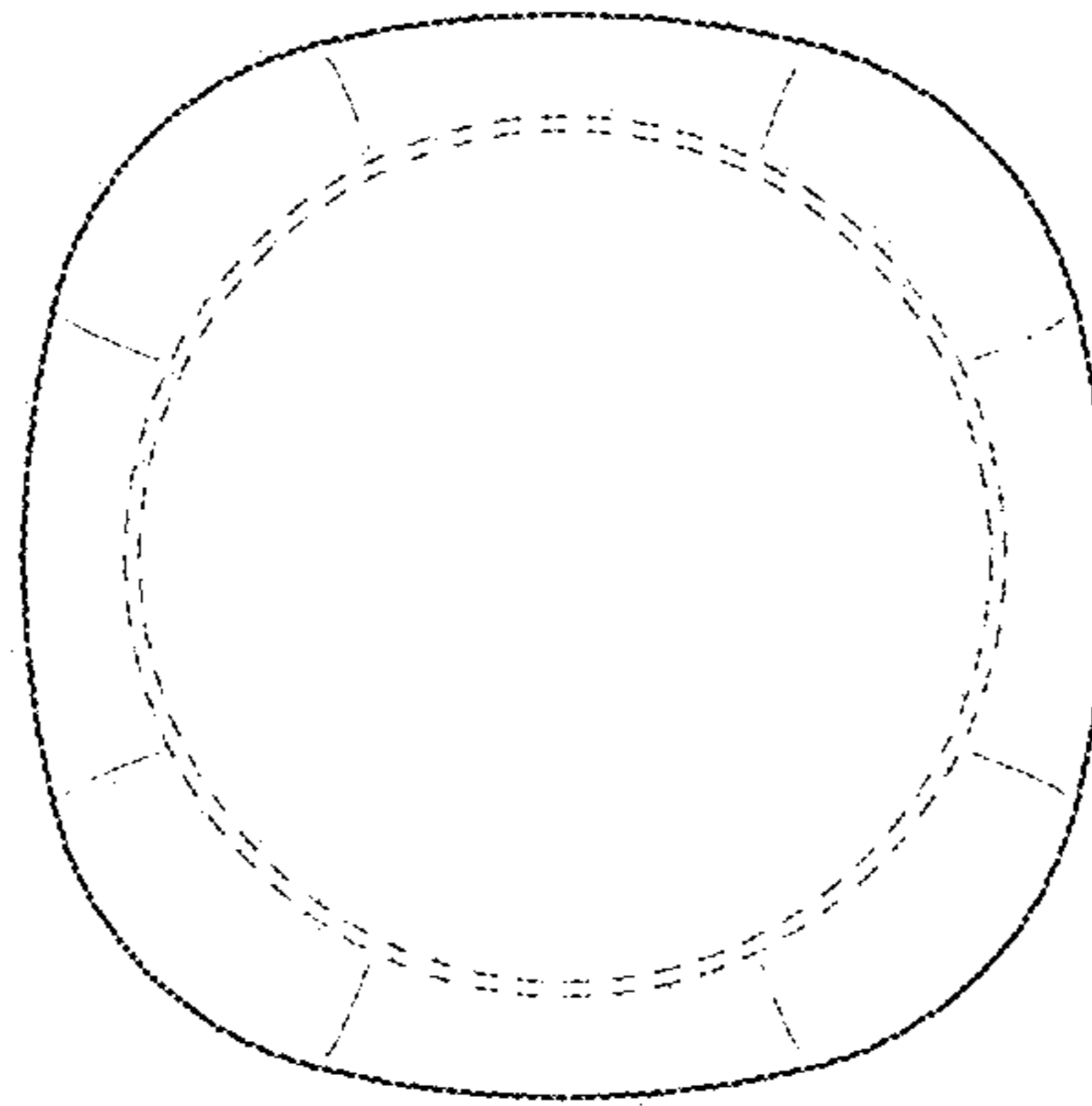


FIG. 7

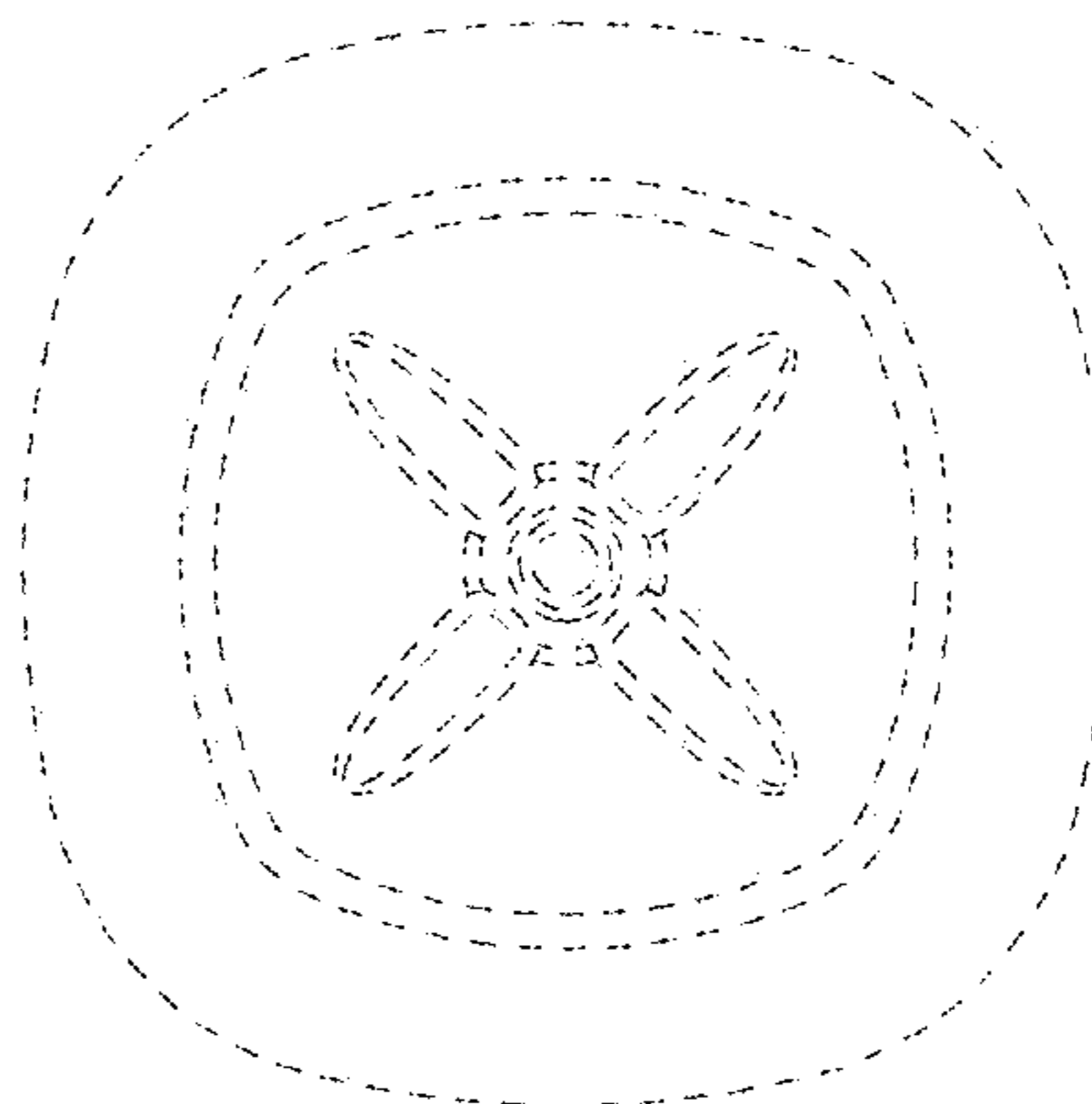


FIG. 8