



US00D947675S

(12) **United States Design Patent**  
**Yamada**

(10) **Patent No.:** **US D947,675 S**

(45) **Date of Patent:** **\*\* Apr. 5, 2022**

(54) **LID FOR A CUP**

(71) Applicant: **Kikuo Yamada**, Tokyo (JP)

(72) Inventor: **Kikuo Yamada**, Tokyo (JP)

(\*\*) Term: **15 Years**

(21) Appl. No.: **29/695,186**

(22) Filed: **Jun. 17, 2019**

(30) **Foreign Application Priority Data**

Dec. 17, 2018	(JP)	.....	2018-27452
Dec. 21, 2018	(JP)	.....	2018-28142
Dec. 21, 2018	(JP)	.....	2018-28143
Jan. 11, 2019	(JP)	.....	2019-00418
Jan. 24, 2019	(JP)	.....	2019-01250
Jan. 24, 2019	(JP)	.....	2019-01251

(Continued)

(51) **LOC (13) Cl.** ..... **09-07**

(52) **U.S. Cl.**  
USPC ..... **D9/454**

(58) **Field of Classification Search**  
USPC ..... D3/202; D6/542, 550; D7/509-511,  
D7/550.1, 601, 619.1, 624.1, 635, 354,  
(Continued)

(56) **References Cited**

**U.S. PATENT DOCUMENTS**

1,953,933	A	4/1934	Gundelach	
3,371,847	A *	3/1968	Stengle, Jr.	..... B65D 43/0218 229/125.05

(Continued)

**OTHER PUBLICATIONS**

U.S. Appl. No. 29/698,511, titled "Lid for a Cup," filed Jul. 17, 2019. Inventor Kikuo Yamada.

(Continued)

*Primary Examiner* — Catherine S Posthauer

(74) *Attorney, Agent, or Firm* — Young Basile Hanlon & MacFarlane, P.C.

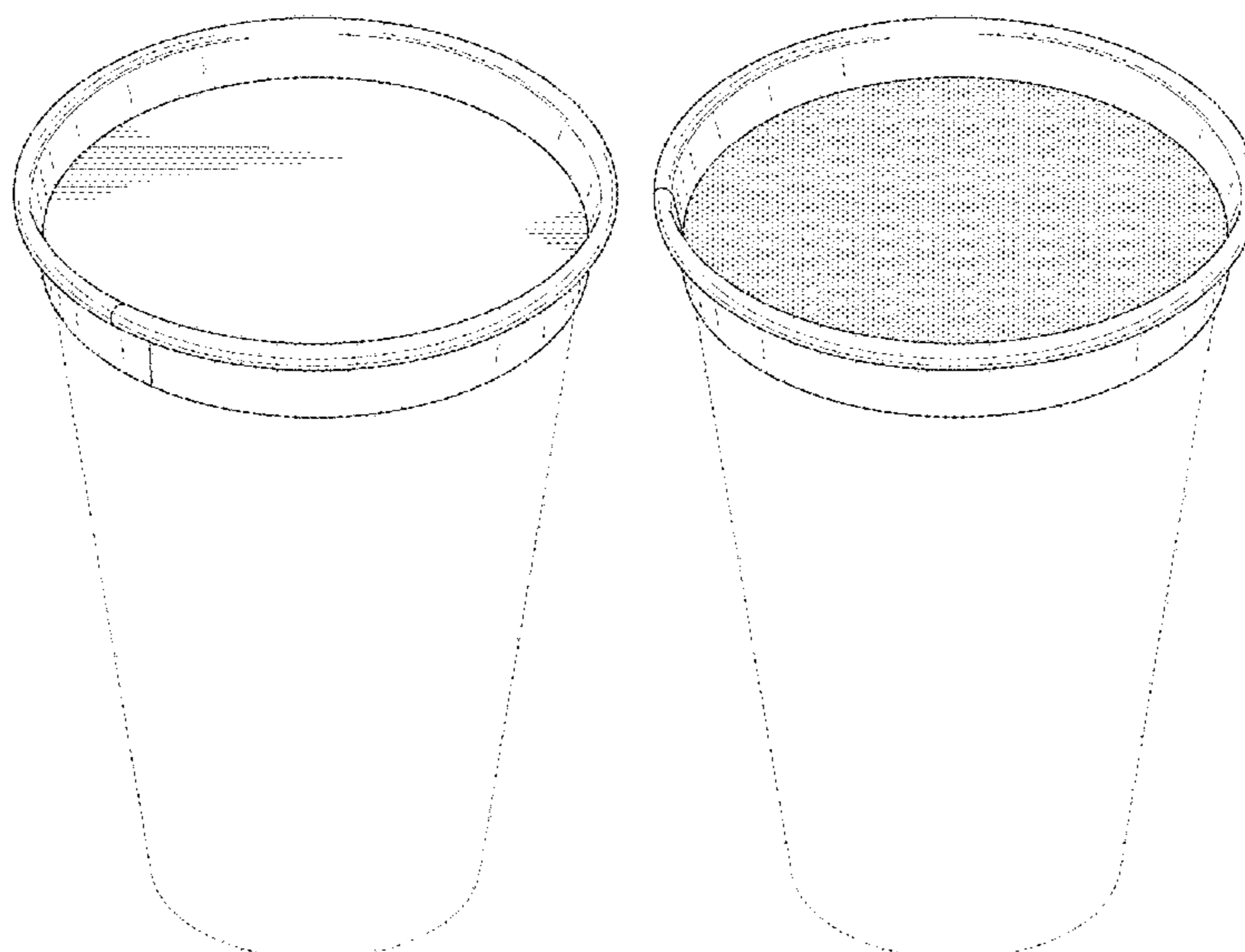
(57) **CLAIM**

The ornamental design for a lid for a cup, as shown and described.

**DESCRIPTION**

FIG. 1 is a front view of a first embodiment of a lid for a cup of our new design;  
 FIG. 2 is a rear view thereof;  
 FIG. 3 is a left view thereof;  
 FIG. 4 is a right view thereof;  
 FIG. 5 is a top view thereof; and  
 FIG. 6 is a top perspective view thereof, shown in a position of use with an exemplary cup;  
 FIG. 7 is a front view of a second embodiment of a lid for a cup of our new design;  
 FIG. 8 is a rear view thereof;  
 FIG. 9 is a left view thereof;  
 FIG. 10 is a right view thereof;  
 FIG. 11 is a top view thereof; and  
 FIG. 12 is a top perspective view thereof, shown in a position of use with an exemplary cup;  
 FIG. 13 is a front view of a third embodiment of a lid for a cup of our new design;  
 FIG. 14 is a rear view thereof;  
 FIG. 15 is a left view thereof;  
 FIG. 16 is a right view thereof;  
 FIG. 17 is a top view thereof; and  
 FIG. 18 is a top perspective view thereof, shown in a position of use with an exemplary cup.  
 Broken lines in the drawings represent unclaimed environment of a cup and form no part of the claimed design. The drawings include line shading and stipple shading to show contrast of materials.

**1 Claim, 18 Drawing Sheets**



(30) Foreign Application Priority Data

Jan. 24, 2019 (JP) ..... 2019-01252  
 Jan. 29, 2019 (JP) ..... 2019-01531  
 Jan. 29, 2019 (JP) ..... 2019-01532  
 Feb. 21, 2019 (JP) ..... 2019-03491  
 Mar. 18, 2019 (JP) ..... 2019-05713  
 Mar. 19, 2019 (JP) ..... 2019-05758  
 Mar. 26, 2019 (JP) ..... 2019-06358  
 Mar. 26, 2019 (JP) ..... 2019-06359  
 Mar. 26, 2019 (JP) ..... 2019-06360  
 Mar. 26, 2019 (JP) ..... 2019-06361

(58) Field of Classification Search

USPC ..... D7/387, 391, 392, 392.1, 396.1, 396.2,  
 D7/396.6; D9/716, 719, 529, 434, 435,  
 D9/436, 438, 439, 440, 445, 447, 448,  
 D9/452, 454, 455, 417, 683, 763, 772,  
 D9/503, 516, 549; D23/206, 208, 209,  
 D23/210, 249, 259, 260, 261, 303;  
 D28/91.1  
 CPC .. B65D 43/0212; B65D 43/0218; B65D 1/36;  
 B65D 51/28; B65D 2543/00046; B65D  
 2543/00027; B65D 2543/00092; B65D  
 2543/00296; B65D 2543/00351; B65D  
 2543/00537; B65D 2543/00731; B65D  
 47/2018; B65D 47/06; B65D 51/24;  
 A47G 21/06; A47G 21/00; A47G 19/00;  
 A47G 19/02

See application file for complete search history.

(56) References Cited

U.S. PATENT DOCUMENTS

3,743,133 A \* 7/1973 Rathbun ..... B65D 43/021  
 220/781  
 D229,038 S \* 11/1973 Schutz ..... D9/447  
 3,831,798 A \* 8/1974 Rowe ..... B65D 25/32  
 215/256  
 3,977,559 A \* 8/1976 Lombardi ..... B65D 43/0256  
 220/712  
 4,090,004 A 5/1978 Tebbutt et al.  
 4,767,019 A \* 8/1988 Horner ..... B65D 47/06  
 220/713  
 D311,140 S 10/1990 Nelson  
 D358,531 S \* 5/1995 Cousins ..... D7/612  
 D404,304 S \* 1/1999 Kick ..... D9/447  
 D405,692 S 2/1999 Johnson  
 5,897,019 A \* 4/1999 Stropkay ..... B65D 47/06  
 220/713

5,906,288 A \* 5/1999 Dwinell ..... B65D 47/06  
 220/254.2  
 D419,448 S 1/2000 Kick  
 D433,597 S 11/2000 Fradkin  
 D474,068 S \* 5/2003 Fujii ..... D7/392.1  
 D525,826 S \* 8/2006 Kugler ..... D7/392.1  
 D570,213 S \* 6/2008 Newman ..... D9/447  
 D601,309 S \* 9/2009 Babal ..... D30/129  
 D615,861 S 5/2010 Watts et al.  
 D631,284 S \* 1/2011 Fuller ..... D7/392.1  
 D642,425 S \* 8/2011 Hale ..... D7/392.1  
 D696,113 S \* 12/2013 Stein ..... D9/447  
 D696,940 S \* 1/2014 Hale ..... D9/447  
 D752,978 S \* 4/2016 Zabeleta ..... D9/454  
 D767,329 S \* 9/2016 Mock ..... D7/392.1  
 D786,673 S 5/2017 Moffat  
 D795,007 S \* 8/2017 Plassmeyer ..... D7/392.1  
 D807,746 S \* 1/2018 Fleming ..... D9/454  
 D816,500 S \* 5/2018 Torrison ..... D9/454  
 D828,158 S \* 9/2018 Manis ..... D9/436  
 D843,211 S 3/2019 Ghorbani  
 D845,064 S 4/2019 Mulhauser et al.  
 10,479,575 B2 \* 11/2019 Danenberg ..... A23K 40/30  
 D880,224 S 4/2020 Wiggins et al.  
 D887,773 S \* 6/2020 Fourie ..... D7/392.1  
 D897,051 S \* 9/2020 Kerr ..... D30/129  
 2002/0125250 A1 \* 9/2002 Fang ..... B65D 43/0212  
 220/266  
 2009/0206089 A1 \* 8/2009 Mueller ..... B65D 51/28  
 220/522  
 2010/0288827 A1 11/2010 Booth  
 2012/0318816 A1 \* 12/2012 Lin ..... B65D 43/0212  
 220/788  
 2014/0042158 A1 2/2014 Witkowski et al.  
 2016/0058223 A1 \* 3/2016 Savenok ..... B65D 51/24  
 220/713  
 2018/0206660 A1 \* 7/2018 Heiman ..... A47G 19/2272  
 2019/0375560 A1 \* 12/2019 Tobias ..... B65D 21/0233  
 2020/0128982 A1 4/2020 Tseng

OTHER PUBLICATIONS

U.S. Appl. No. 29/698,514, titled "Lid for a Cup," filed Jul. 17, 2019. Inventor Kikuo Yamada.  
 Paper Lid: Announced Jan. 4, 2019 (online), Site Visited (Aug. 29, 2020). Available from internet URL: [http://www-g-mark-org-products.elasticbeanstalk.com/award/describe/49216?locale=zh\\_CN](http://www-g-mark-org-products.elasticbeanstalk.com/award/describe/49216?locale=zh_CN).  
 Paper Lid: Announced 2019 [online]. Site Visited [Aug. 10, 2020]. Available from Internet URL: <https://www.g-ark.org/award/describe/49216?locale=en>.  
 Non-Final Office Action in U.S. Appl. No. 29/698,511, dated Sep. 30, 2020.  
 Non-Final Office Action in U.S. Appl. No. 29/698,514, dated Sep. 30, 2020.

\* cited by examiner

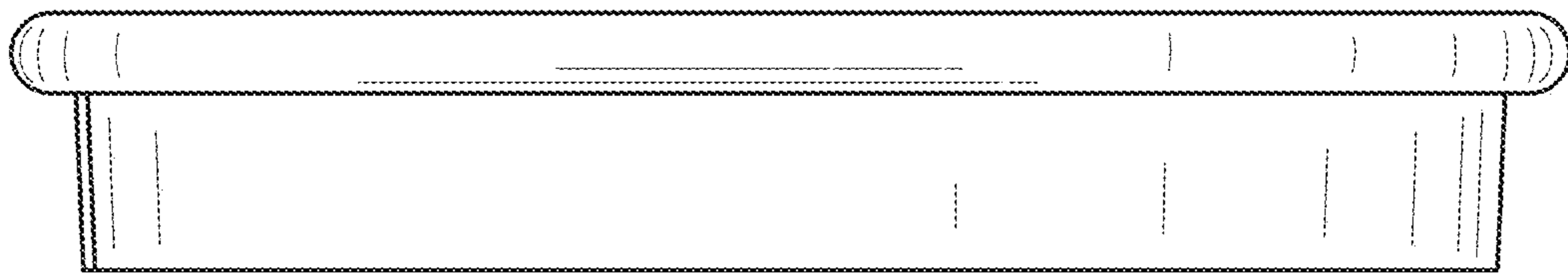


FIG. 1

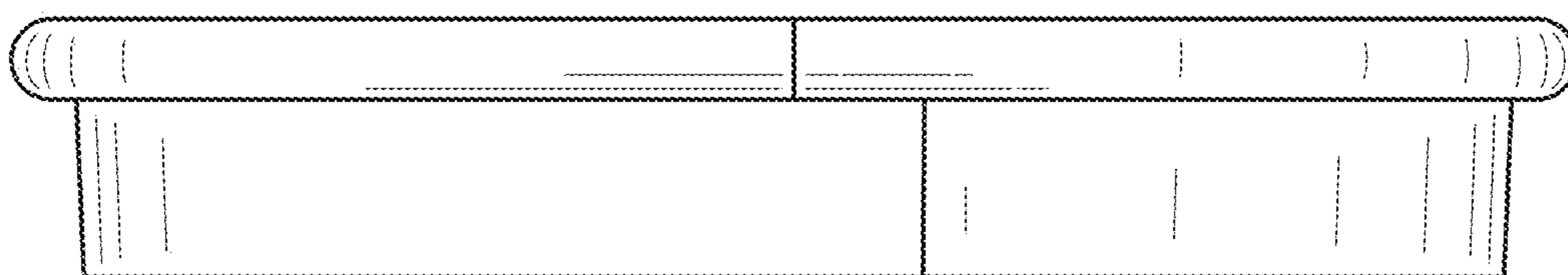


FIG. 2

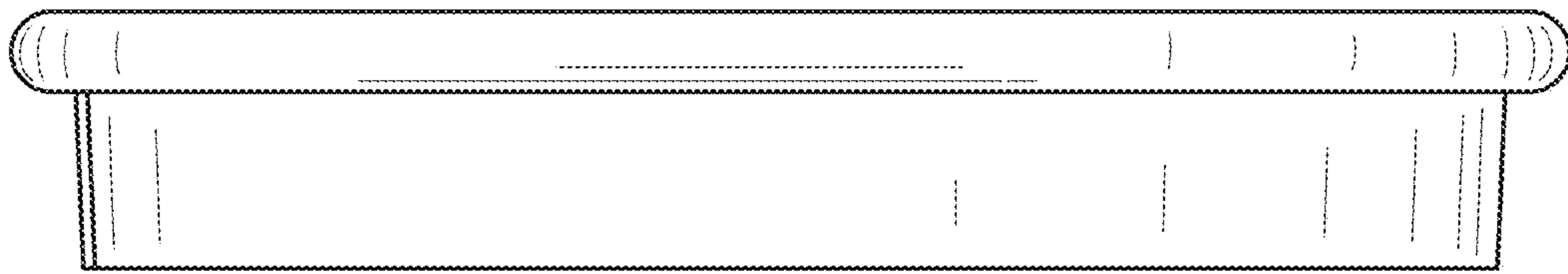


FIG. 3

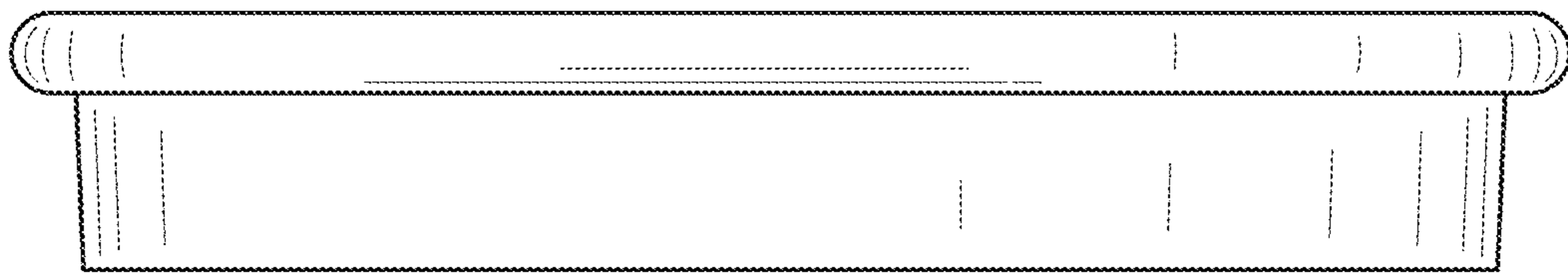


FIG. 4

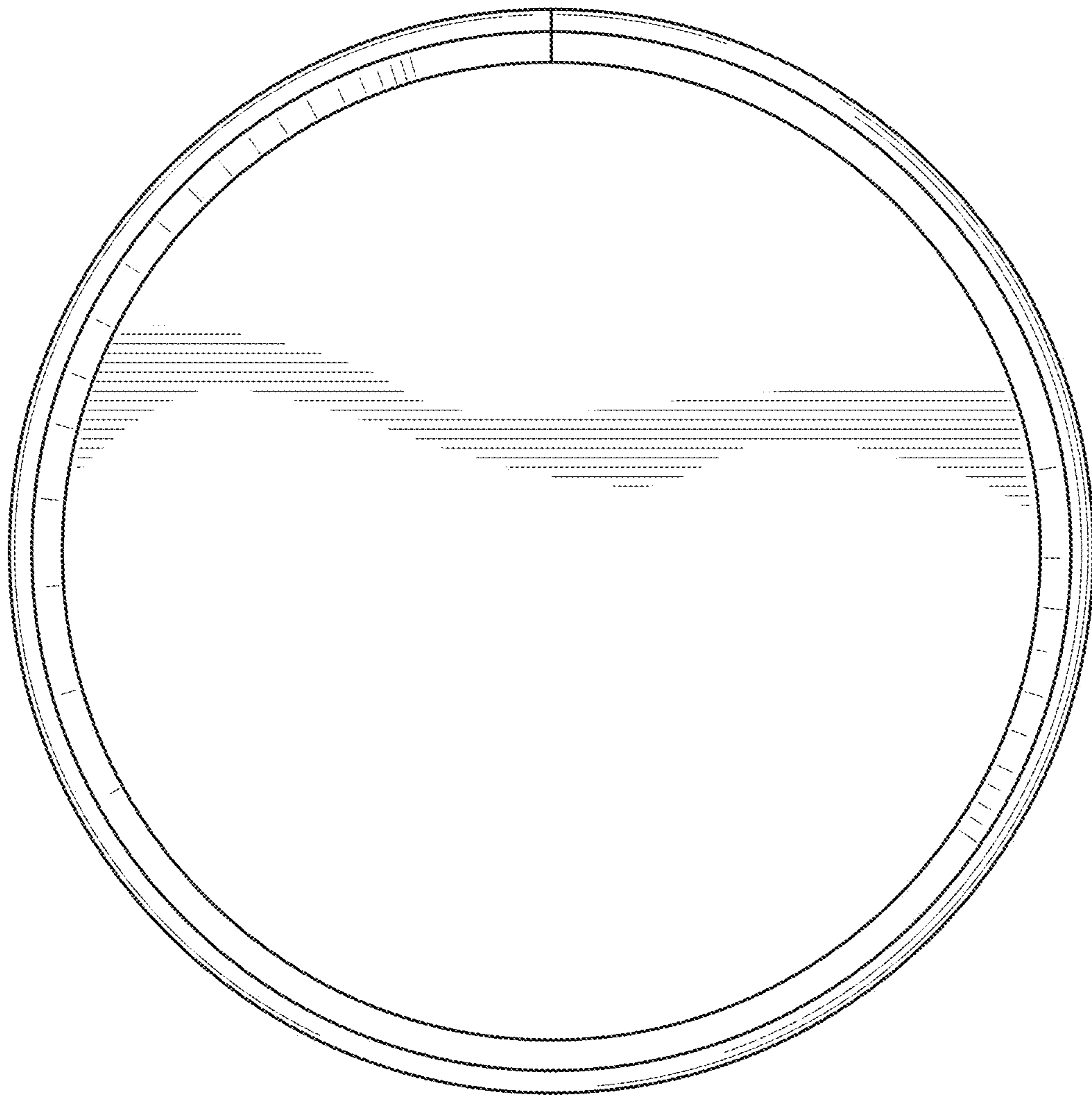


FIG. 5

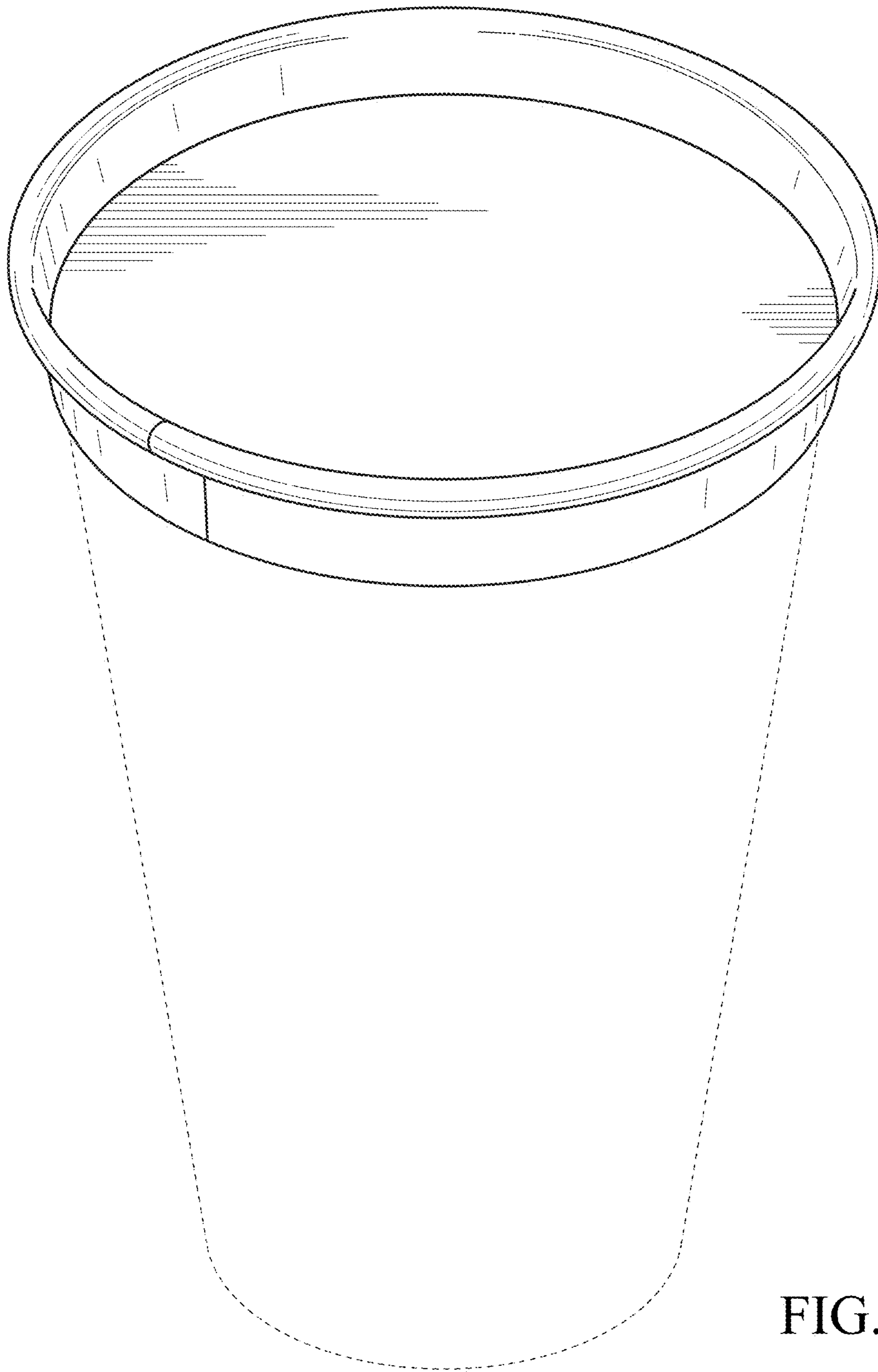


FIG. 6



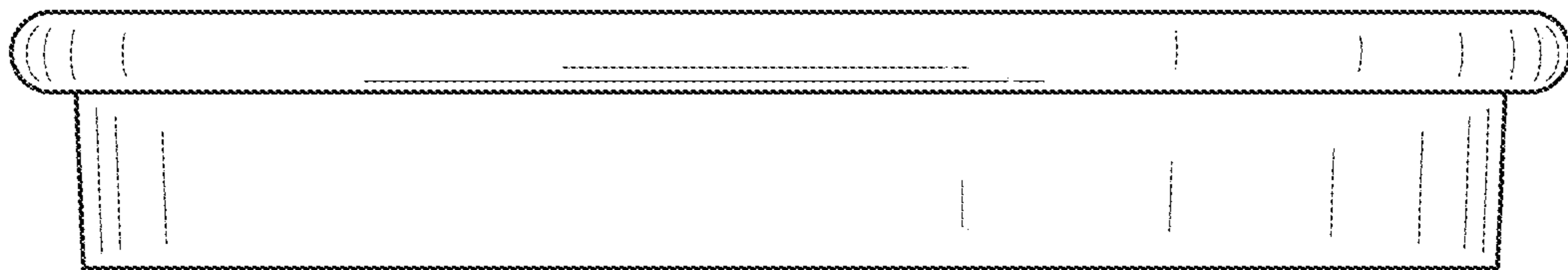


FIG. 7

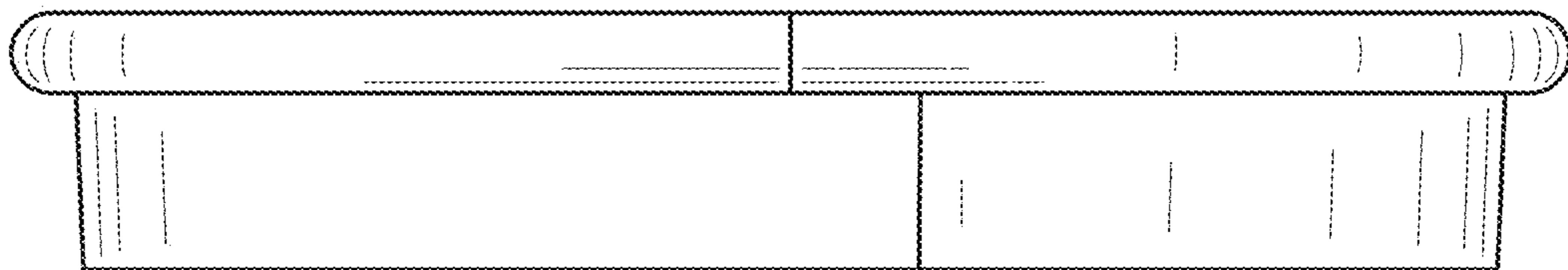


FIG. 8

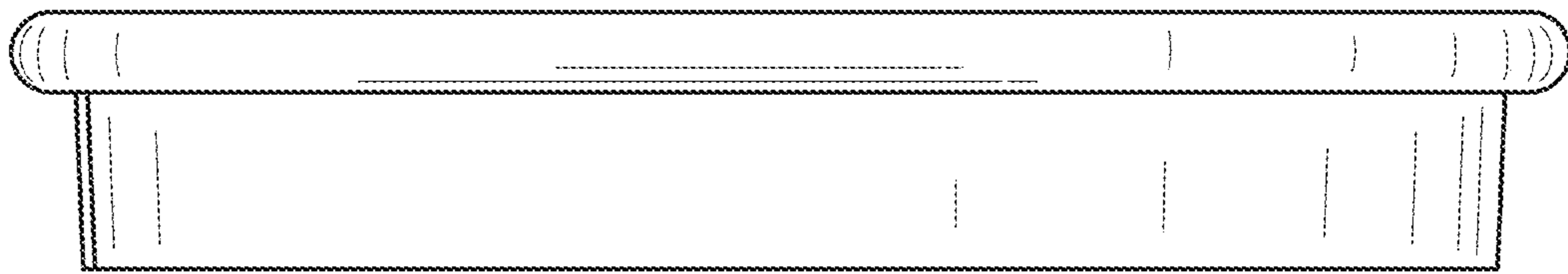


FIG. 9

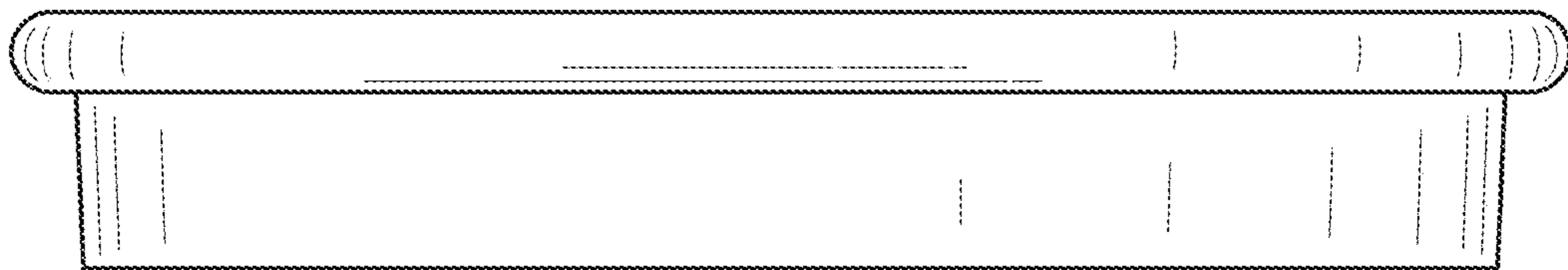


FIG. 10

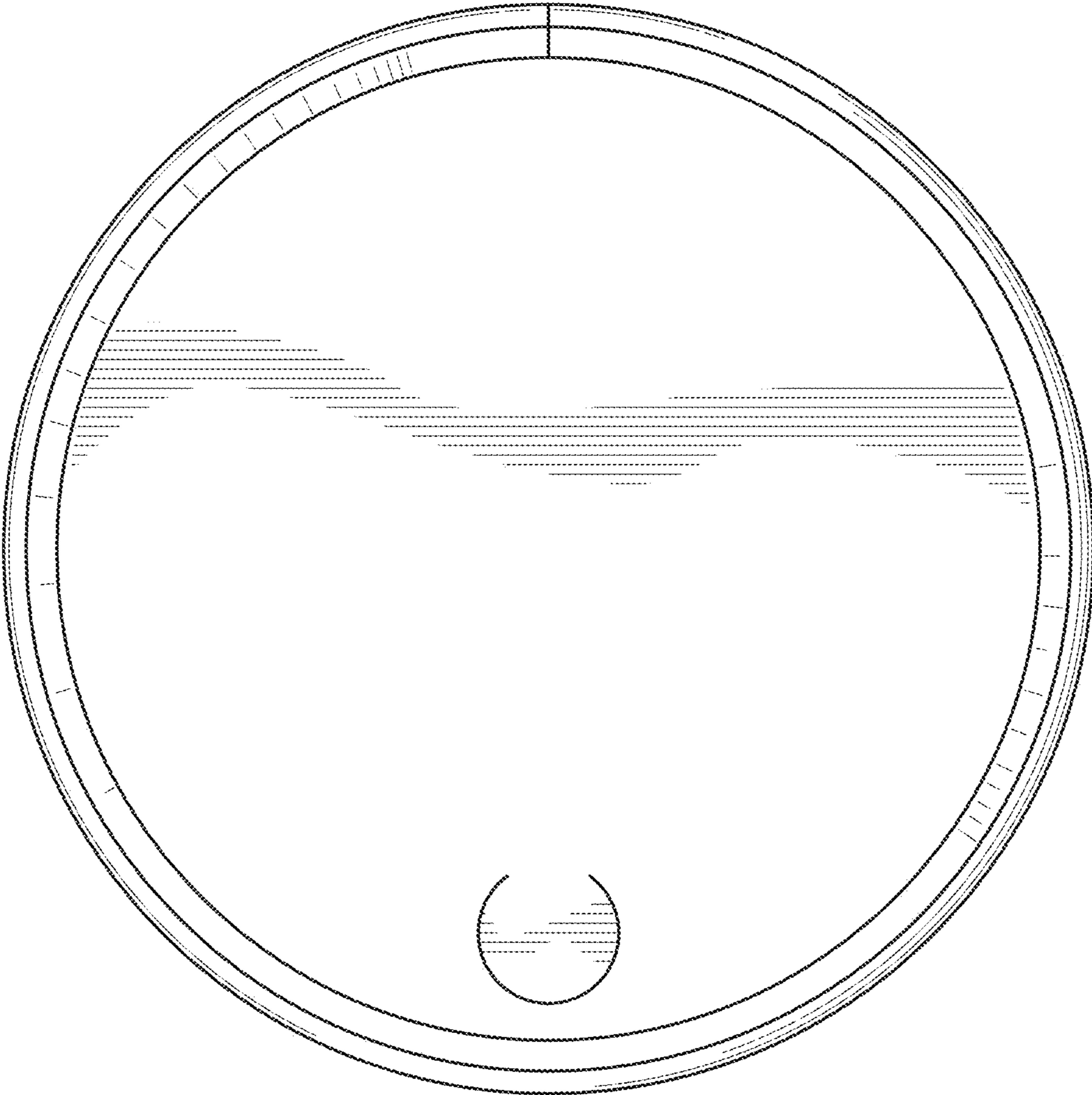


FIG. 11

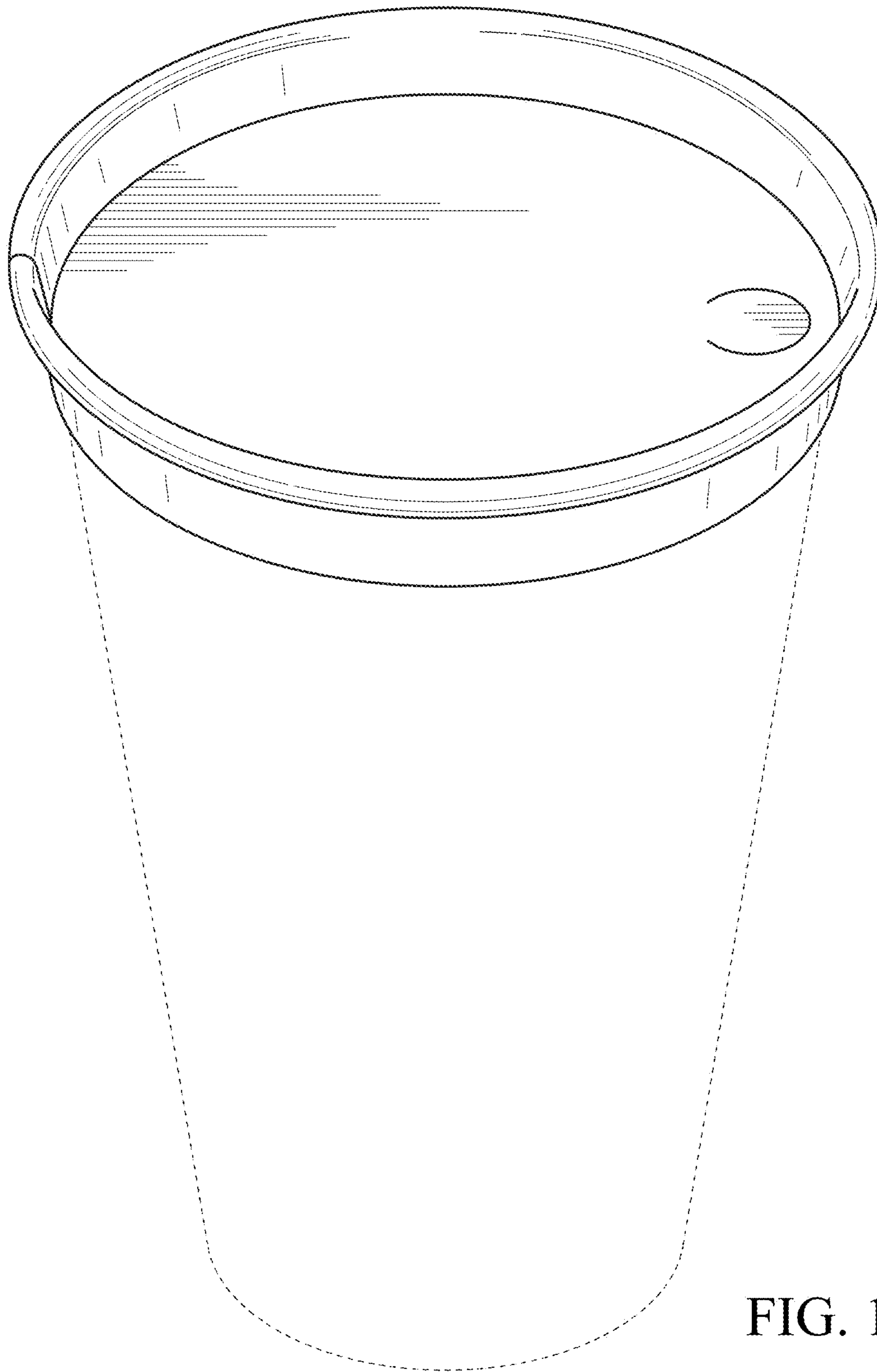


FIG. 12

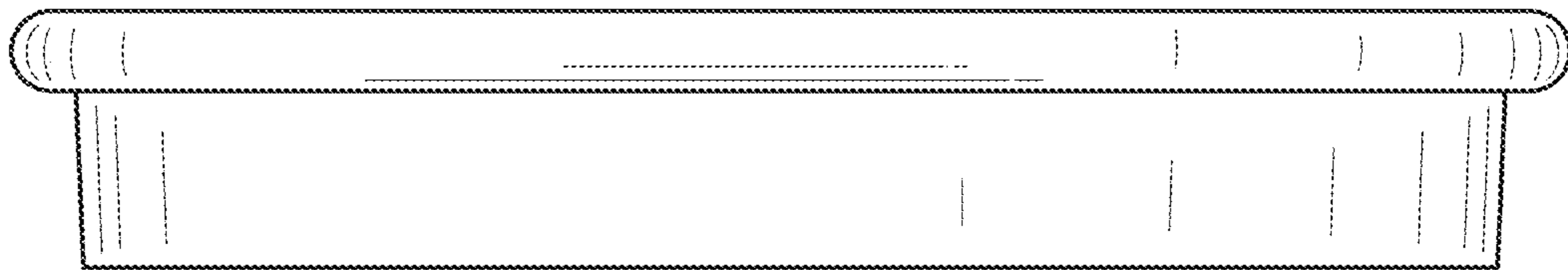


FIG. 13

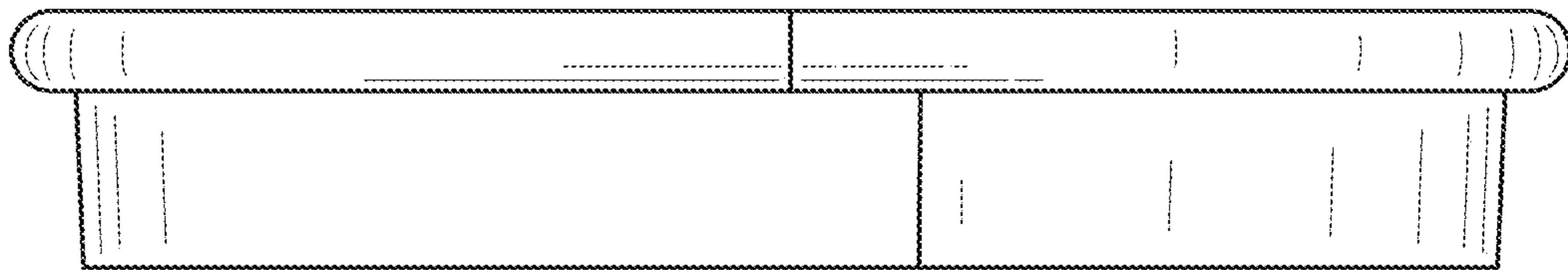


FIG. 14



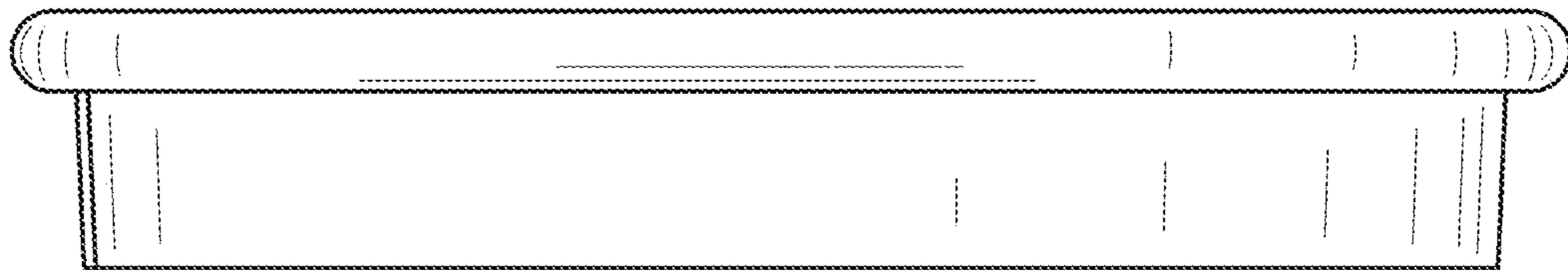


FIG. 15

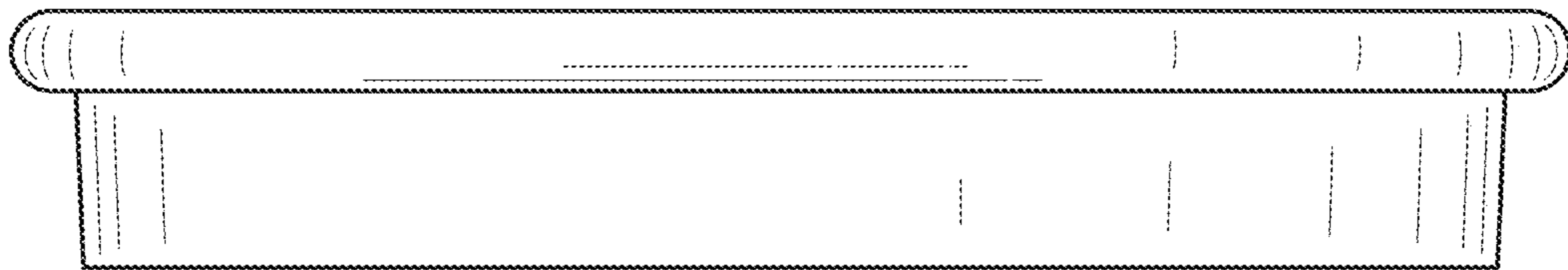


FIG. 16

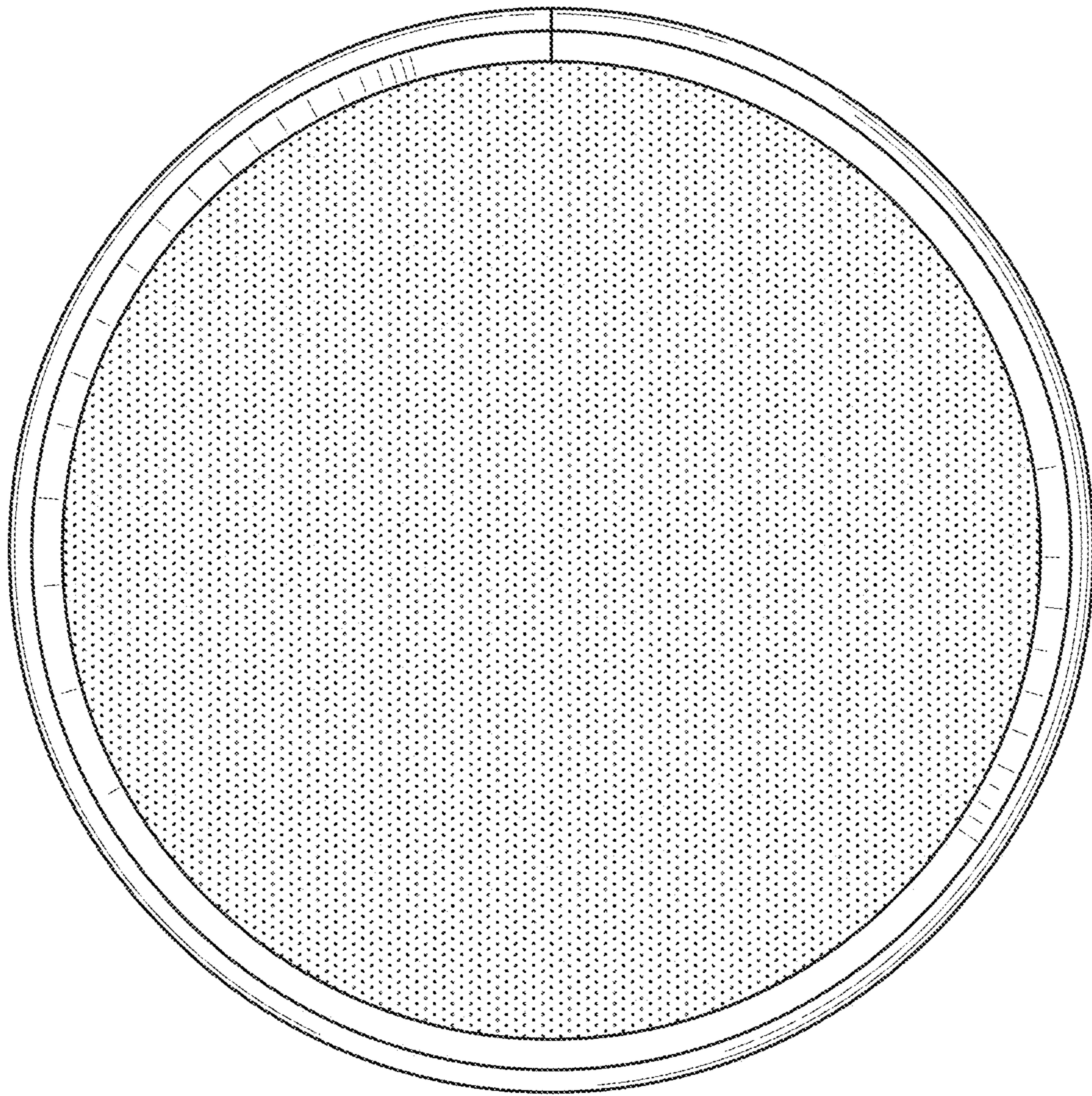


FIG. 17

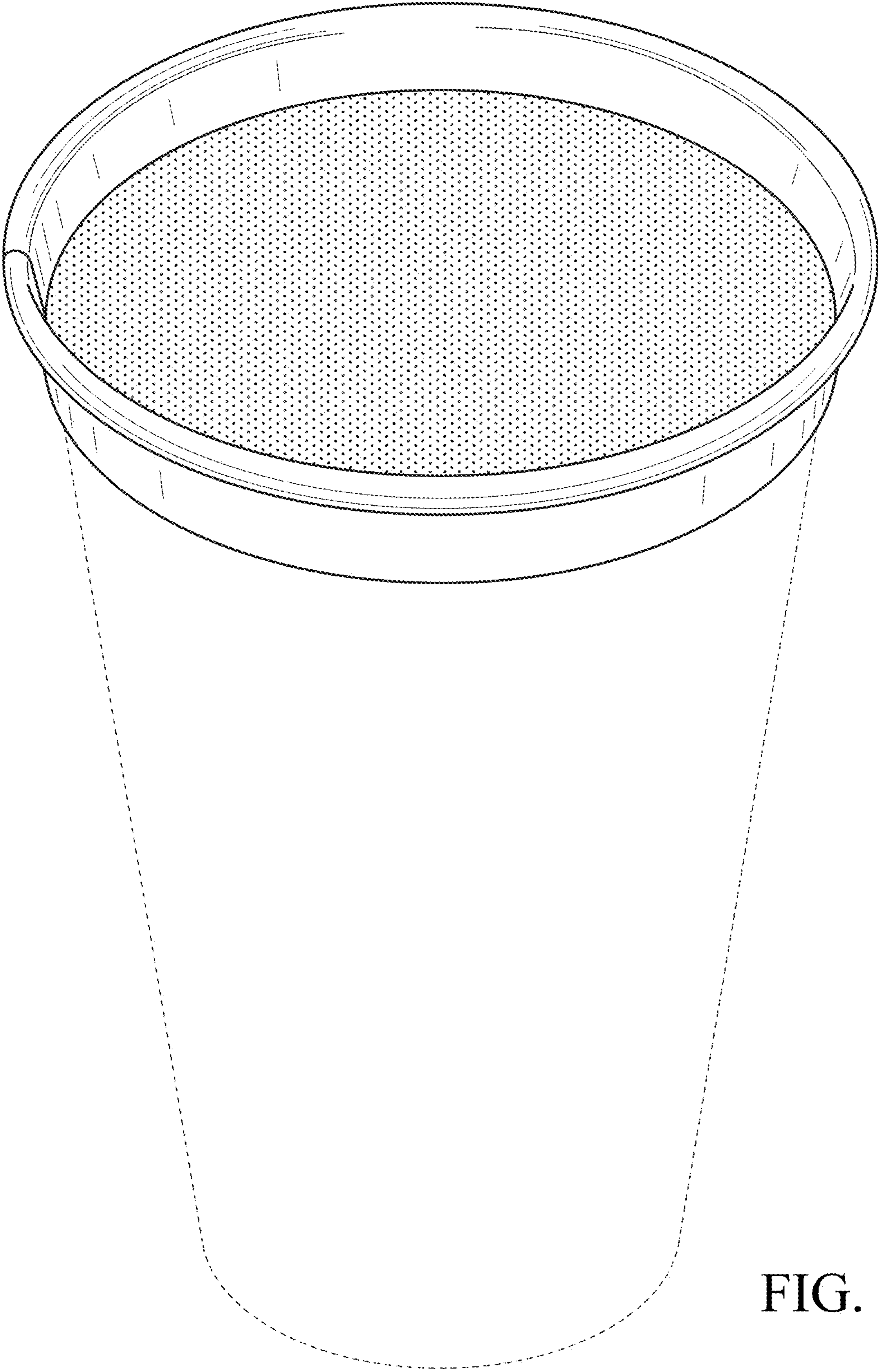


FIG. 18