

US00D947672S

(12) **United States Design Patent** (10) **Patent No.:** **US D947,672 S**  
**Watts** (45) **Date of Patent:** **\*\* Apr. 5, 2022**

(54) **CONTAINER CAP**

- (71) Applicant: **VictoriaLand Beauty, LLC**, Naples, FL (US)
- (72) Inventor: **Victoria Watts**, Naples, FL (US)
- (73) Assignee: **VICTORIALAND BEAUTY, LLC**, Naples, FL (US)
- (\*\*) Term: **15 Years**
- (21) Appl. No.: **29/709,866**
- (22) Filed: **Oct. 17, 2019**
- (51) **LOC (13) Cl.** ..... **09-07**
- (52) **U.S. Cl.**  
USPC ..... **D9/451**
- (58) **Field of Classification Search**  
USPC ..... D3/20, 21, 322; D7/345, 387, 389, 391, D7/392, 392.1, 396.1, 396.2, 396.4, 397, D7/398, 401.1, 502, 539, 550.1, 551.1, D7/553.6; D9/416, 417, 434, 435, 438, D9/442, 443, 448, 449, 450, 451, 452, D9/454, 456, 682, 685, 690, 723, 724, D9/730, 731; D20/10, 11; D21/350,  
(Continued)

(56) **References Cited**

**U.S. PATENT DOCUMENTS**

- 1,209,998 A \* 12/1916 Pinckert ..... A44C 21/00  
40/27.5
- D166,243 S \* 3/1952 Crist ..... D21/390  
(Continued)

**FOREIGN PATENT DOCUMENTS**

- WO 00/78624 A1 12/2000
- WO 00/78626 A1 12/2000

**OTHER PUBLICATIONS**

Manhole Monitor Well: Announced Sep. 28, 2020 [online]. Site Visited [Jun. 16, 2021]. Available from Internet URL: <https://www.atlanticsupply.com/product/manhole-8-monitor-well-manhole-bolt-down-lid-8-skirt/>.\*

(Continued)

*Primary Examiner* — Catherine S Posthauer  
(74) *Attorney, Agent, or Firm* — Mauriel Kapouytian Woods LLP; Rory J. Radding

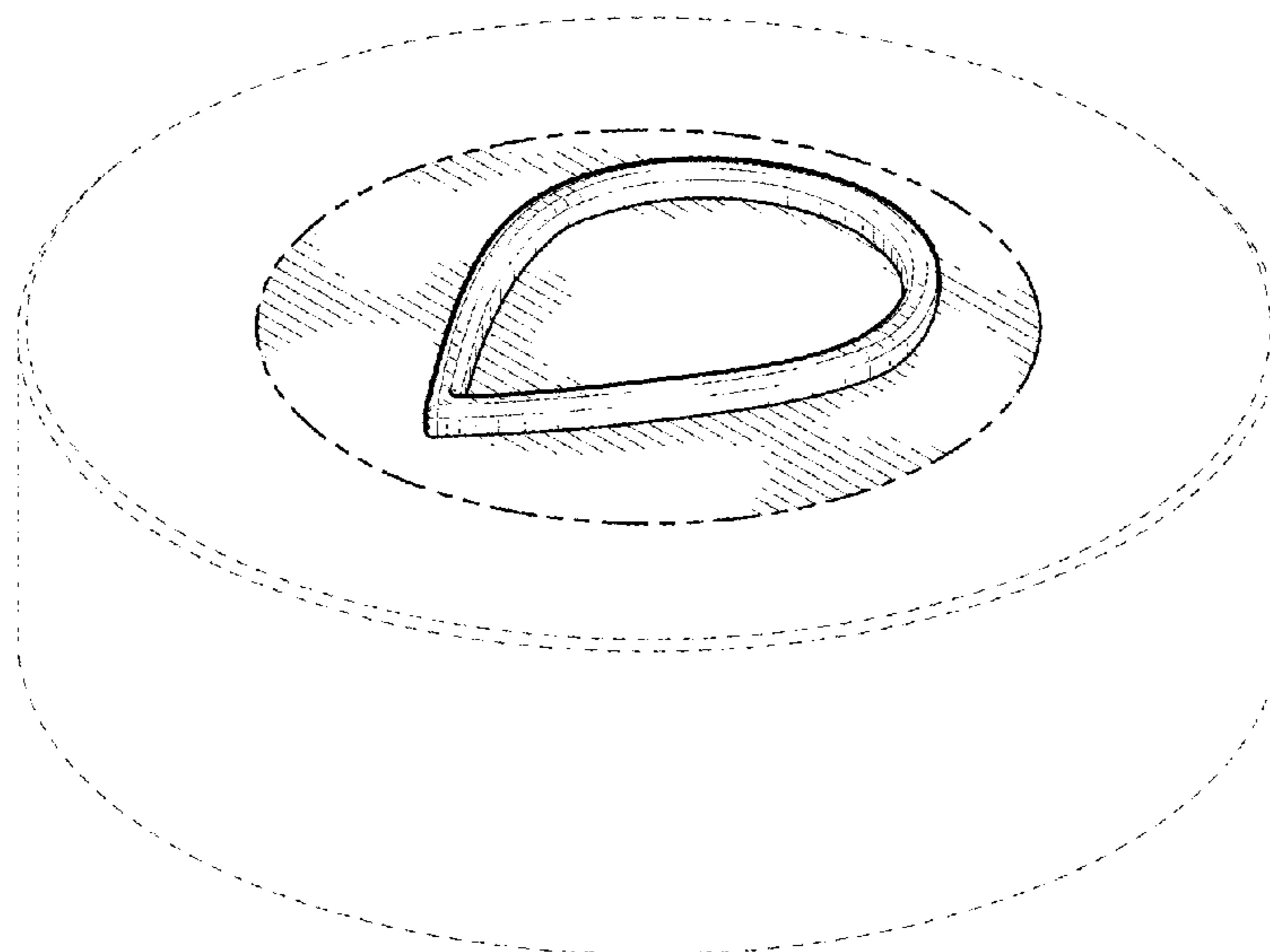
(57) **CLAIM**

The ornamental design for a container cap, as shown and described.

**DESCRIPTION**

FIG. 1 is a top perspective view of a first embodiment of a container cap, showing my new design;  
 FIG. 2 is a top plan view of the container cap shown in FIG. 1;  
 FIG. 3 is a front view of the container cap shown in FIG. 2;  
 FIG. 4 is a rear view of the container cap shown in FIG. 2;  
 FIG. 5 is a right side view of the container cap shown in FIG. 2;  
 FIG. 6 is a left side view of the container cap shown in FIG. 2;  
 FIG. 7 is a top perspective view of a second embodiment of a container cap, showing my new design;  
 FIG. 8 is another top perspective view as shown in FIG. 1, showing the container cap in a position of use with an exemplary container; and,  
 FIG. 9 is another top perspective view thereof, showing the container cap in a position of use with another exemplary container.  
 The evenly broken lines represent both parts of the article as well as environmental subject matter of an exemplary container. The dot-dot-dash lines represent the boundaries of the claim. None of the broken lines form part of the claimed design.

**1 Claim, 6 Drawing Sheets**



(58) **Field of Classification Search**  
 USPC ..... D21/390, 385, 912; D27/172, 183, 184,  
 D27/186, 188, 189, 190, 192, 193;  
 D28/73, 76, 78, 79, 82, 85, 87; D10/108,  
 D10/118, 118.2, 126; D11/220  
 CPC ..... B65D 39/00; B65D 39/16; B65D 43/08;  
 B65D 45/00; B65D 45/30; B65D 45/305;  
 B65D 35/08; B65D 47/04; B65D 47/26  
 See application file for complete search history.

(56) **References Cited**

U.S. PATENT DOCUMENTS

3,255,937 A \* 6/1966 Jarrett ..... B65D 35/08  
 222/480  
 3,868,052 A \* 2/1975 Rockefeller ..... A47L 13/17  
 225/106  
 4,691,986 A \* 9/1987 Aberson, Jr. .... G02B 6/382  
 385/64  
 D301,690 S \* 6/1989 Mobberley ..... D9/452  
 5,823,387 A \* 10/1998 Manadanas ..... B65D 35/242  
 222/1  
 D411,252 S \* 6/1999 Mittelstrass ..... D20/11  
 D419,448 S \* 1/2000 Kick ..... D9/438  
 D419,884 S 2/2000 Zimmer et al.  
 6,150,647 A 11/2000 Anderson et al.  
 D435,601 S \* 12/2000 Carter ..... D20/11  
 D454,307 S \* 3/2002 Lindsey ..... D9/435  
 D456,268 S 4/2002 Hague et al.  
 6,394,651 B2 5/2002 Jackson  
 6,394,652 B2 5/2002 Meyer et al.  
 D463,284 S 9/2002 Poisson et al.  
 D464,269 S 10/2002 Pannozzo et al.  
 D464,879 S 10/2002 Meeker et al.  
 D465,153 S 11/2002 Meeker et al.  
 D467,809 S 12/2002 Pouillot et al.  
 D468,153 S \* 1/2003 Seager ..... D7/392.1  
 D468,642 S 1/2003 Poisson et al.  
 D469,357 S 1/2003 Verherbrugghen et al.  
 D484,804 S 1/2004 Pouillot et al.  
 D491,071 S 6/2004 Degeyter et al.  
 D498,679 S 11/2004 Meeker et al.  
 D523,334 S \* 6/2006 Cetti ..... D9/447  
 D526,158 S \* 8/2006 Laib ..... D7/392.1  
 D533,070 S 12/2006 Schuller et al.  
 D533,456 S 12/2006 Schuller et al.  
 D554,998 S 11/2007 Perry et al.  
 D558,051 S 12/2007 Born et al.  
 D558,053 S 12/2007 Lake et al.  
 D564,350 S \* 3/2008 Zahrobsky ..... D9/434  
 D564,893 S 3/2008 Adamson et al.  
 D565,355 S \* 4/2008 Bevacqua ..... D7/550.1  
 D565,954 S 4/2008 Adamson et al.

D581,792 S \* 12/2008 Krohn ..... D9/504  
 D583,228 S 12/2008 Ames et al.  
 D585,299 S 1/2009 Miller  
 D587,122 S 2/2009 Herstol et al.  
 D600,128 S 9/2009 Miller  
 D609,101 S 2/2010 Herstol et al.  
 D621,715 S 8/2010 Schwartz et al.  
 7,942,577 B2 5/2011 Fraser et al.  
 D643,730 S 8/2011 Booth et al.  
 D643,731 S 8/2011 Booth et al.  
 D670,168 S 11/2012 Borger et al.  
 D711,744 S \* 8/2014 Humm ..... D9/447  
 D712,259 S \* 9/2014 Humm ..... D9/449  
 D713,728 S 9/2014 Brewer et al.  
 D714,153 S 9/2014 Brewer et al.  
 D715,149 S 10/2014 Brewer et al.  
 D715,655 S 10/2014 Brewer et al.  
 D716,662 S 11/2014 Brewer et al.  
 D716,663 S 11/2014 Brewer et al.  
 D717,175 S 11/2014 Brewer et al.  
 D717,178 S 11/2014 Brewer et al.  
 D718,144 S 11/2014 Brewer et al.  
 D721,271 S \* 1/2015 Fabiszewski ..... D9/438  
 D721,972 S 2/2015 Brewer et al.  
 D723,930 S 3/2015 Brewer et al.  
 D753,527 S \* 4/2016 Ruffieux ..... D10/126  
 D762,116 S \* 7/2016 Prendergast-Kelly ..... D9/443  
 D770,892 S \* 11/2016 Zinevich ..... D9/451  
 D789,074 S \* 6/2017 Haythornthwaite ..... D3/12  
 D806,543 S \* 1/2018 Finkbohner ..... D9/443  
 D826,643 S \* 8/2018 Sahatjian ..... D7/550.1  
 D881,703 S \* 4/2020 Yang ..... D9/451  
 D892,617 S \* 8/2020 Louis ..... D9/454  
 D920,114 S \* 5/2021 Reeve ..... D9/451  
 2002/0125169 A1 \* 9/2002 Bores ..... H01L 21/67379  
 206/711  
 2013/0130963 A1 5/2013 Vinuesa et al.  
 2017/0259961 A1 9/2017 O'Donnell et al.  
 2017/0259971 A1 9/2017 O'Donnell et al.  
 2019/0039777 A1 2/2019 Theiss, III et al.

OTHER PUBLICATIONS

Announced Mar. 3, 2021 [online]. Site Visited [Jun. 16, 2021].  
 Available from Internet URL: <https://victorialandbeauty.com/products/skin-loving-face-oil>.  
 Victoria Land Beauty: Announced Jun. 12, 2021 [online]. Site  
 Visited [Jun. 15, 2021]. Available from Internet URL: <https://www.instagram.com/p/CQBq7qLs9SO/>.  
 U.S. Appl. No. 29/709,850, filed Oct. 17, 2019.  
 U.S. Appl. No. 29/709,868, filed Oct. 17, 2019.  
 U.S. Appl. No. 29/709,864, filed Oct. 17, 2019.

\* cited by examiner

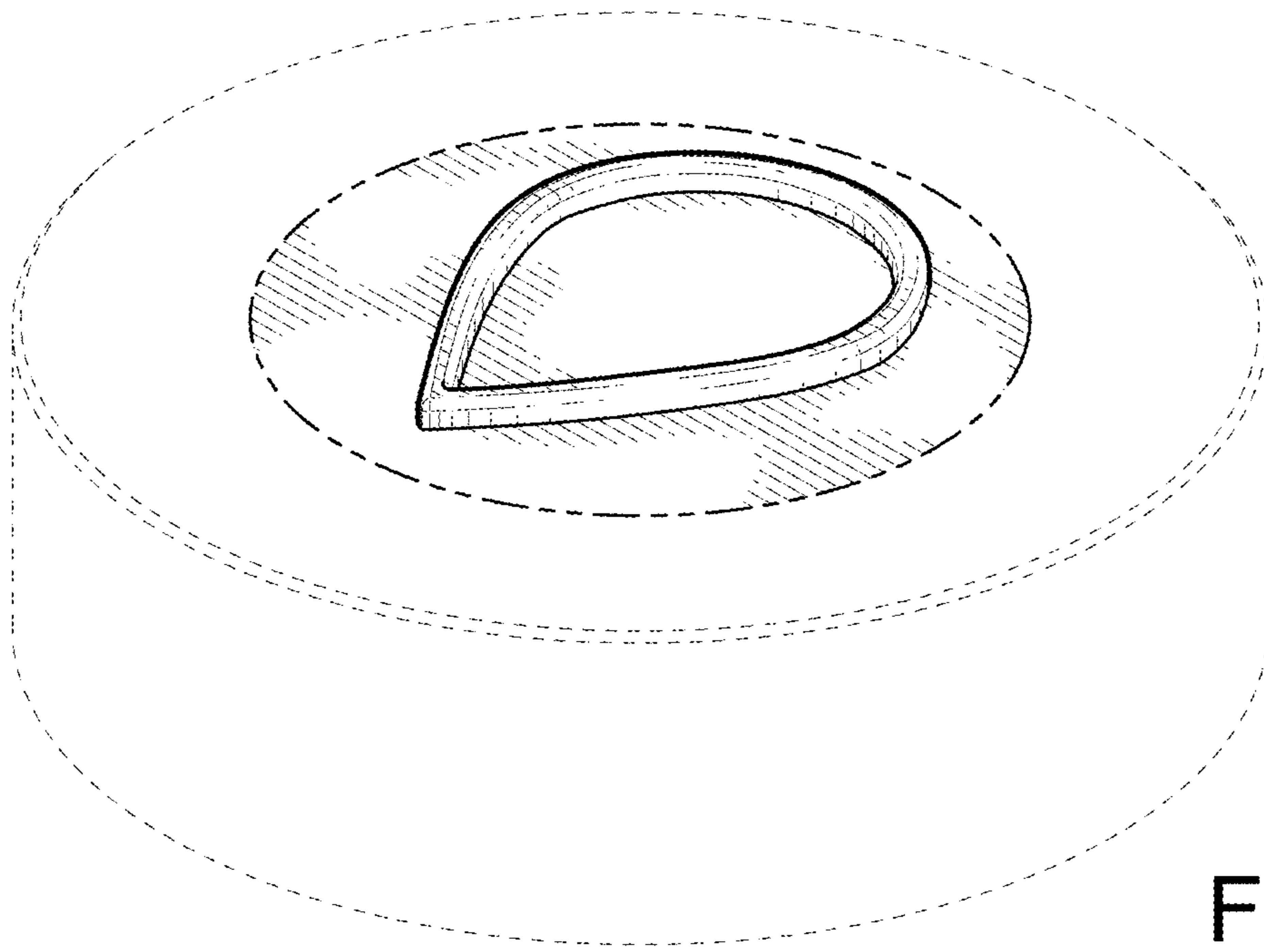


FIG. 1

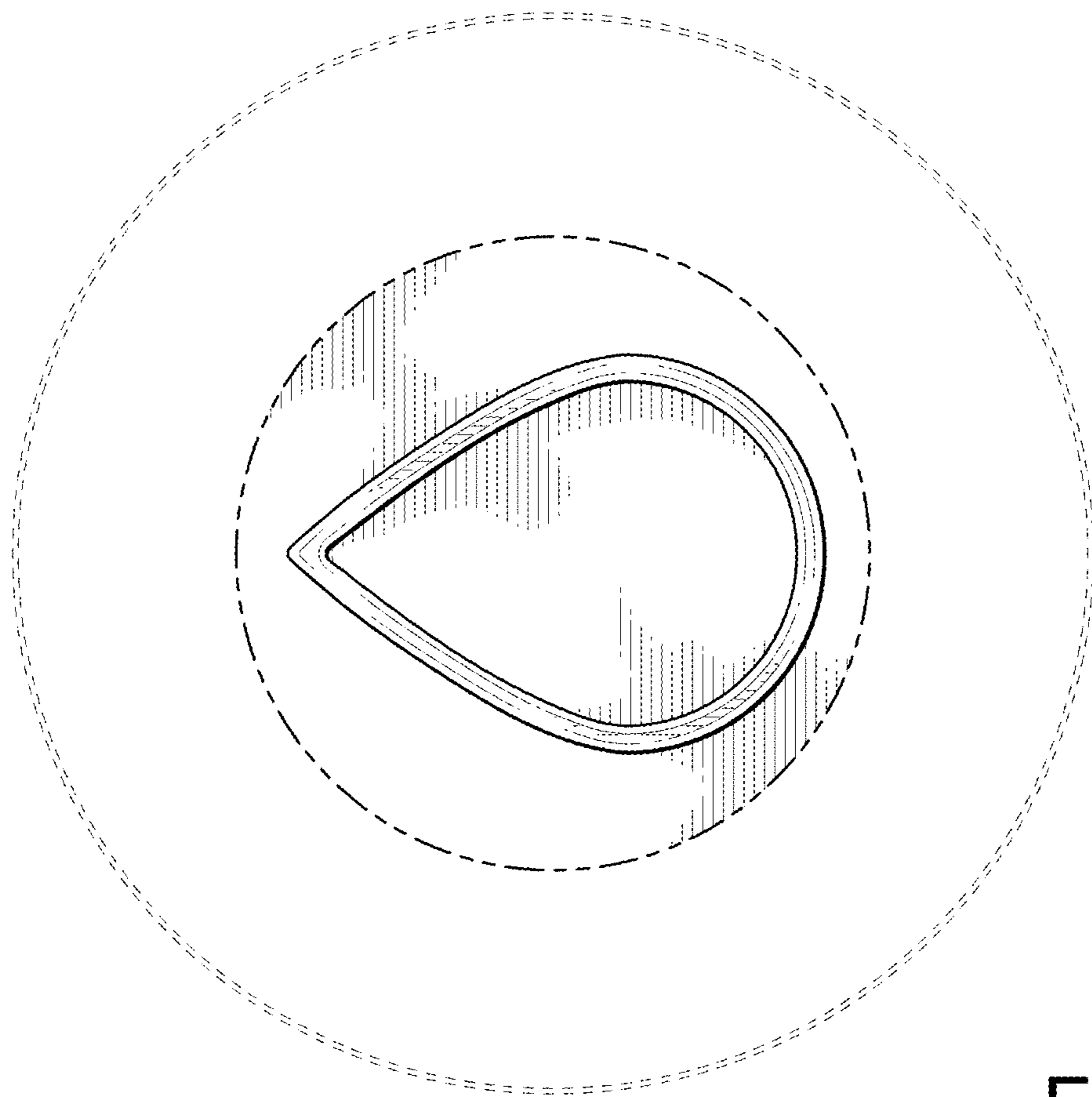


FIG. 2

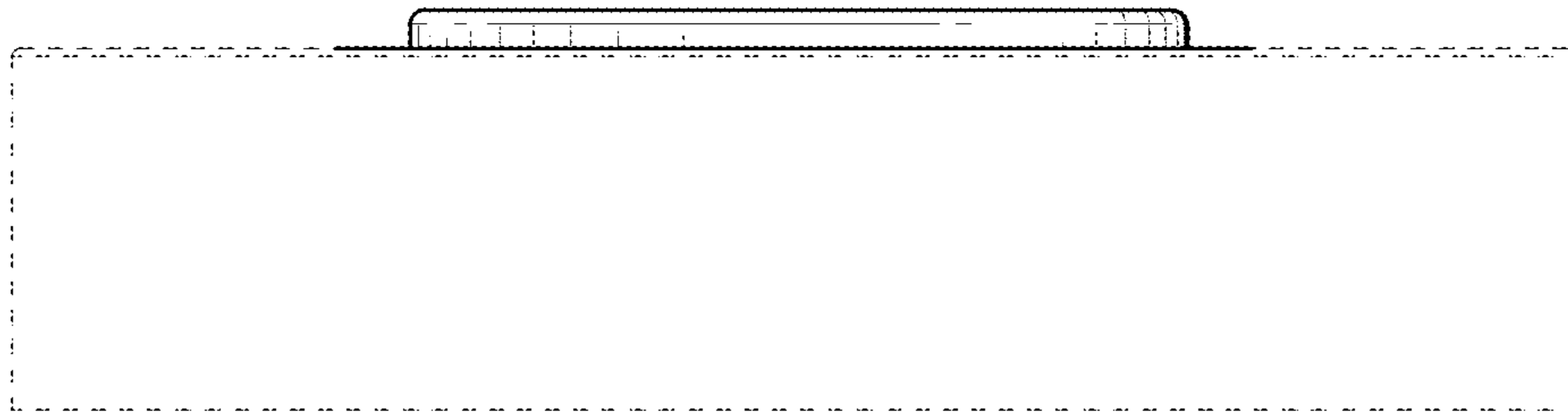


FIG. 3

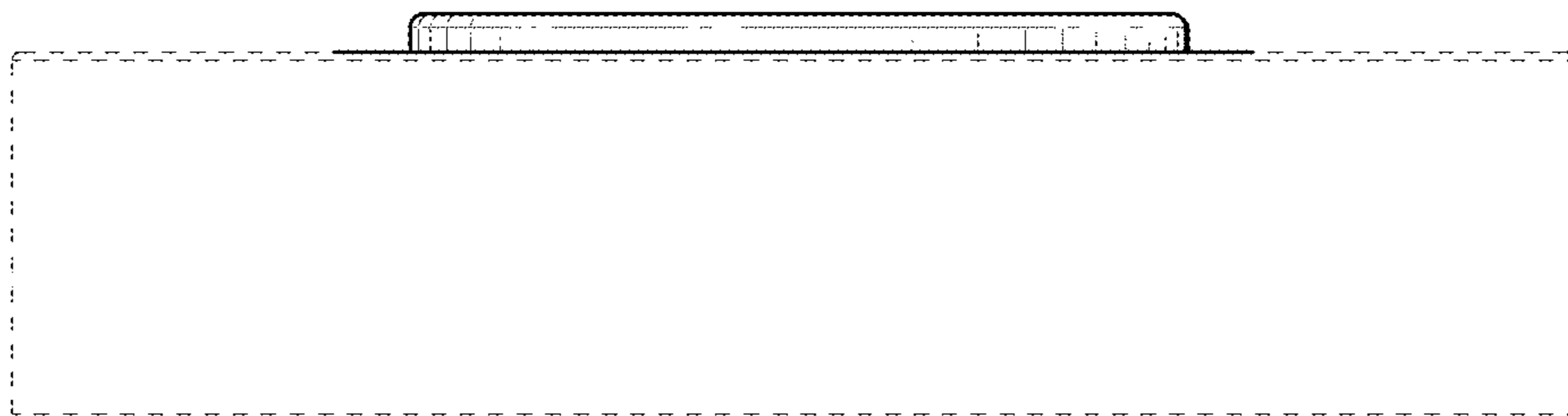


FIG. 4

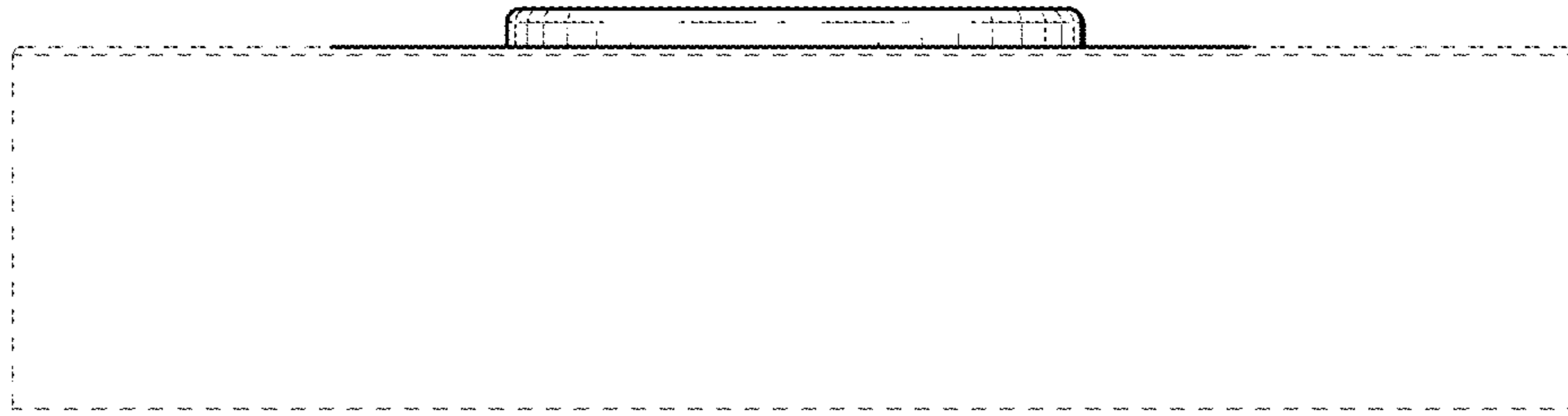


FIG. 5

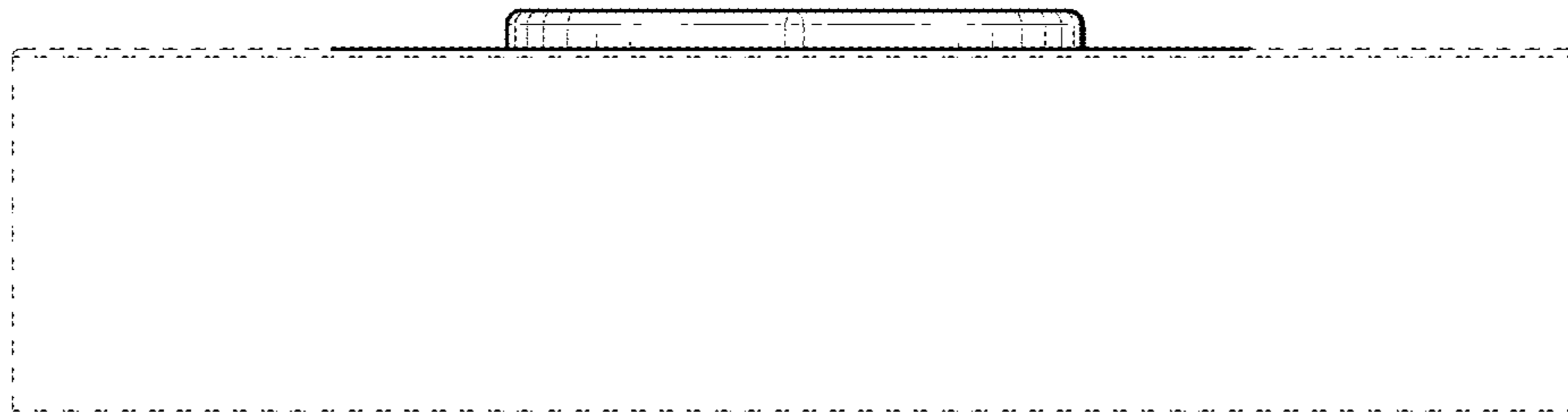


FIG. 6

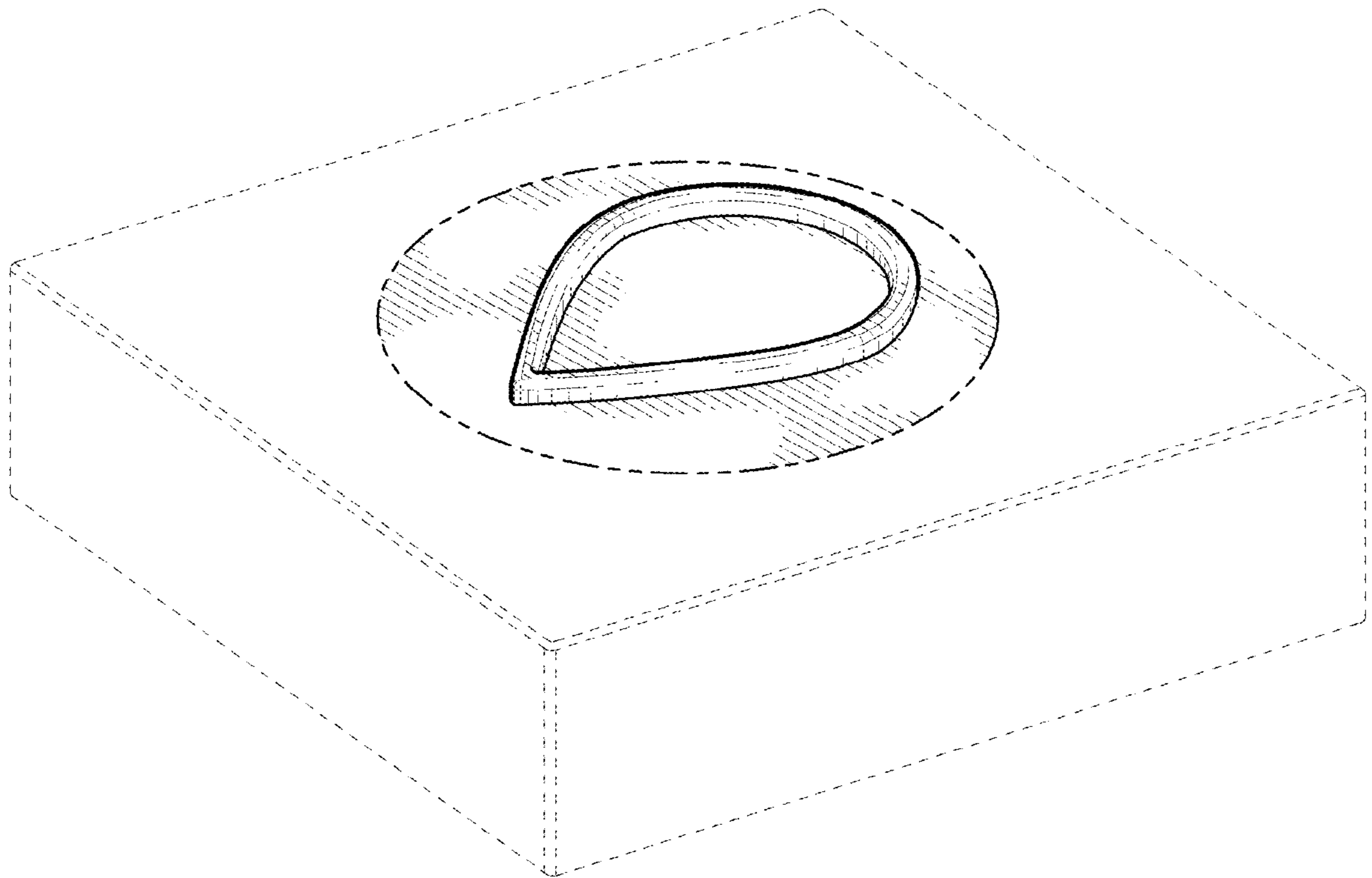


FIG. 7

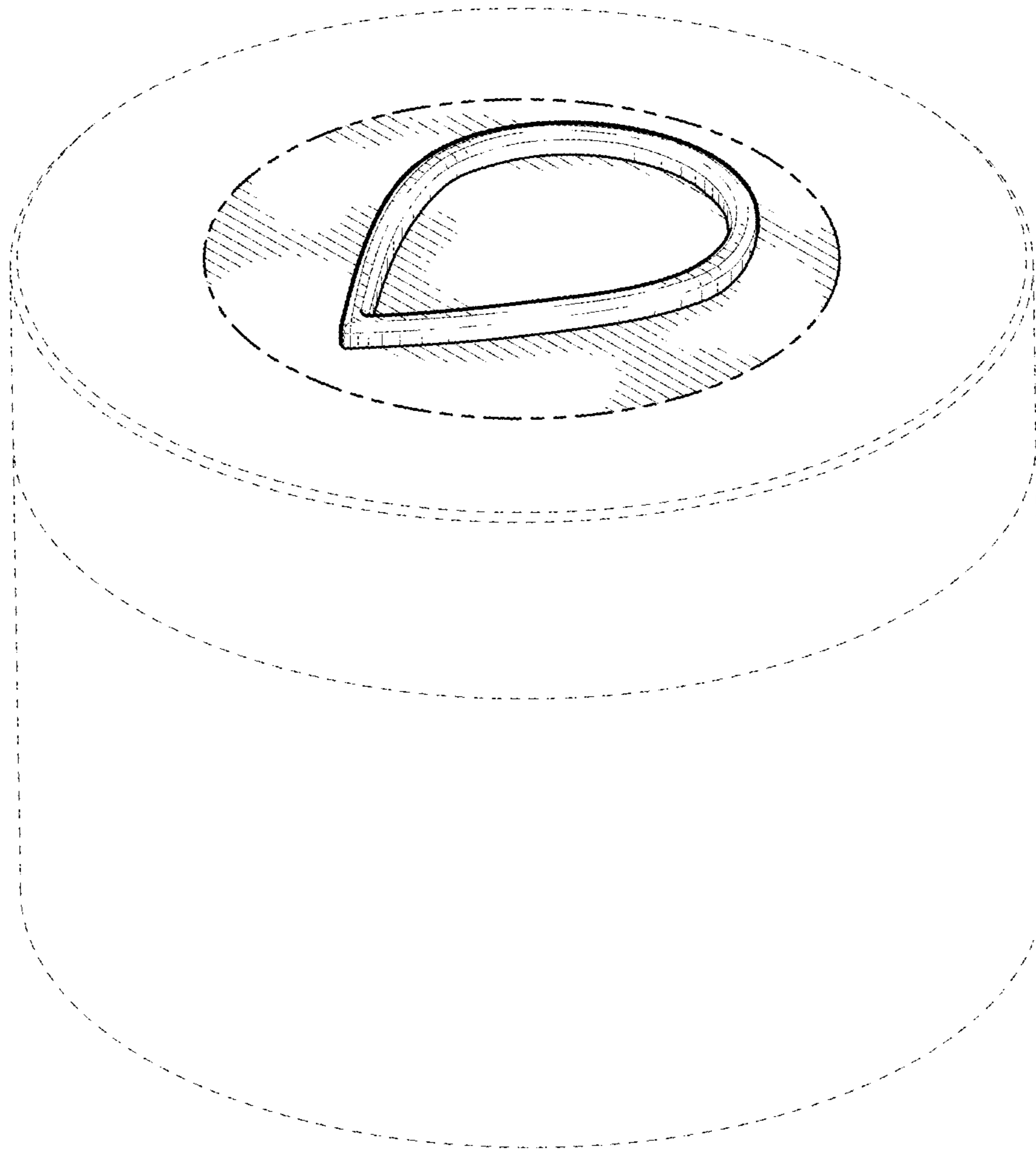


FIG. 8



FIG. 9