



US00D947669S

(12) **United States Design Patent** (10) **Patent No.:** **US D947,669 S**
Ravat et al. (45) **Date of Patent:** **** Apr. 5, 2022**

(54) **BOTTLE CAP WITH STRAW**
(71) Applicant: **Amcrest Global Holdings Limited,**
Drogheda (IE)

D751,341 S * 3/2016 Seiders D7/396.2
D790,272 S * 6/2017 Han D7/396.2
D802,362 S * 11/2017 Spivey D7/396.2
D814,857 S * 4/2018 Rolfson D7/392.1
(Continued)

(72) Inventors: **Abdurahman Ravat,** Houston, TX
(US); **Jarir Saleh,** Cairo (EG)

OTHER PUBLICATIONS

(73) Assignee: **Amcrest Global Holdings Limited,**
Drogheda (IE)

Amazon.com; "Venture Pal Large 128oz (When Full) Leakproof
BPA Free Fitness Sports Water Bottle with Motivational Time
Marker & Straw"; Venture Pal; [https://www.amazon.com/dp/
B07Q42RRRL/](https://www.amazon.com/dp/B07Q42RRRL/) (May 6, 2019).

(**) Term: **15 Years**

(Continued)

(21) Appl. No.: **29/713,508**

(22) Filed: **Nov. 15, 2019**

Primary Examiner — Catherine S Posthauer

(51) **LOC (13) Cl.** **09-07**

(74) *Attorney, Agent, or Firm* — Chamberlain, Hrdlicka,
White, Williams & Aughtry

(52) **U.S. Cl.**

USPC **D9/449**; D9/436

(58) **Field of Classification Search**

(57) **CLAIM**

USPC D7/509, 510, 511, 624.1, 387, 391, 392,
D7/392.1, 393, 396.1, 396.2; D9/434,
D9/435, 439, 445, 447, 448, 449, 451,
D9/454, 438, 440, 443, 452, 453, 686,
D9/723, 724, 436; D23/259, 260, 261,
D23/209, 210; D24/162, 127

The ornamental design for a bottle cap with straw, as shown
and described.

CPC B65D 43/265; B65D 17/506; B65D 47/04;
B65D 47/06; B65D 47/08; B65D 47/20;
B65D 1/00; B65D 1/02; B65D 1/10;
B65D 1/46; B65D 2585/56; B65D
2585/545; B65D 41/00; B65D 41/38;
B65D 41/56; B65D 41/62; B65D 47/00;
B65D 23/00; B65D 51/1694; B65D
43/0212; B65D 43/0208; B65D
2543/00046; B65D 2543/00092; B65D
1/24; B65D 25/04; B65D 43/09; B65D
43/16; A61J 1/00; A61J 1/1412; A61J
1/02

DESCRIPTION

See application file for complete search history.

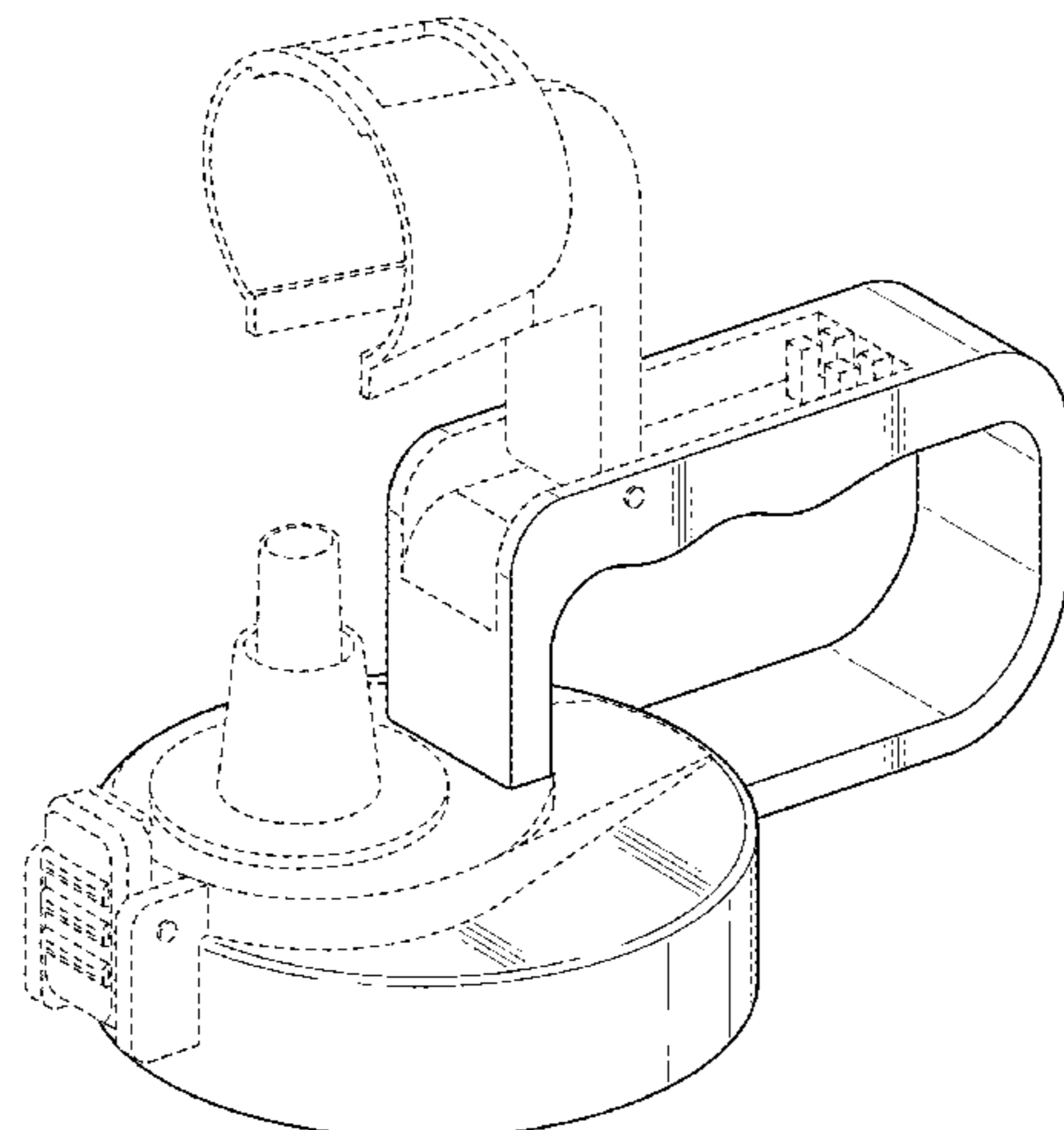
FIG. 1 is a perspective view of a bottle cap with straw
showing our new design;
FIG. 2 is a front view of the second embodiment of the bottle
cap with straw of FIG. 1;
FIG. 3 is a rear view of the second embodiment of the bottle
cap with straw of FIG. 1;
FIG. 4 is a left side view of the second embodiment of the
bottle cap with straw of FIG. 1;
FIG. 5 is a right side view of the second embodiment of the
bottle cap with straw of FIG. 1;
FIG. 6 is a top view of the second embodiment of the bottle
cap with straw of FIG. 1; and,
FIG. 7 is a bottom view of the second embodiment of the
bottle cap with straw of FIG. 1.
The broken lines depict unclaimed portions of the bottle cap
with straw and form no part of the claimed design.

(56) **References Cited**

U.S. PATENT DOCUMENTS

D379,302 S * 5/1997 Rodman D9/440
D504,796 S * 5/2005 Schuler D7/392.1

1 Claim, 7 Drawing Sheets



(56)

References Cited

U.S. PATENT DOCUMENTS

D842,028 S * 3/2019 Melanson D7/392.1
D850,192 S * 6/2019 Jacobsen D7/396.2
D863,874 S * 10/2019 Melanson D7/392
D867,057 S * 11/2019 Spivey D7/392
D882,334 S * 4/2020 Henkel D7/396.2
D896,575 S * 9/2020 Xie D7/392.1
D897,148 S * 9/2020 Han D7/392.1
D898,506 S * 10/2020 Perman D7/392.1
D902,646 S * 11/2020 Seiders D7/392.1
2015/0097007 A1* 4/2015 Garneau B65D 47/2031
222/544
2018/0206660 A1* 7/2018 Heiman A47G 19/2272
2020/0095030 A1* 3/2020 Cheng B65D 47/0861

OTHER PUBLICATIONS

Amazon.com; "Hydro Flask Wide Mouth Water Bottle, Straw Lid";
<https://www.amazon.com/dp/B01GW2GQOI/> (Dec. 19, 2017).
Amazon.com; "Sendestar Straw Lid for Wide Mouth Water Bottle
with Straws and Brush"; Sendestar; [https://www.amazon.com/dp/
B07PVR8NR4/](https://www.amazon.com/dp/B07PVR8NR4/) (May 1, 2019).

* cited by examiner

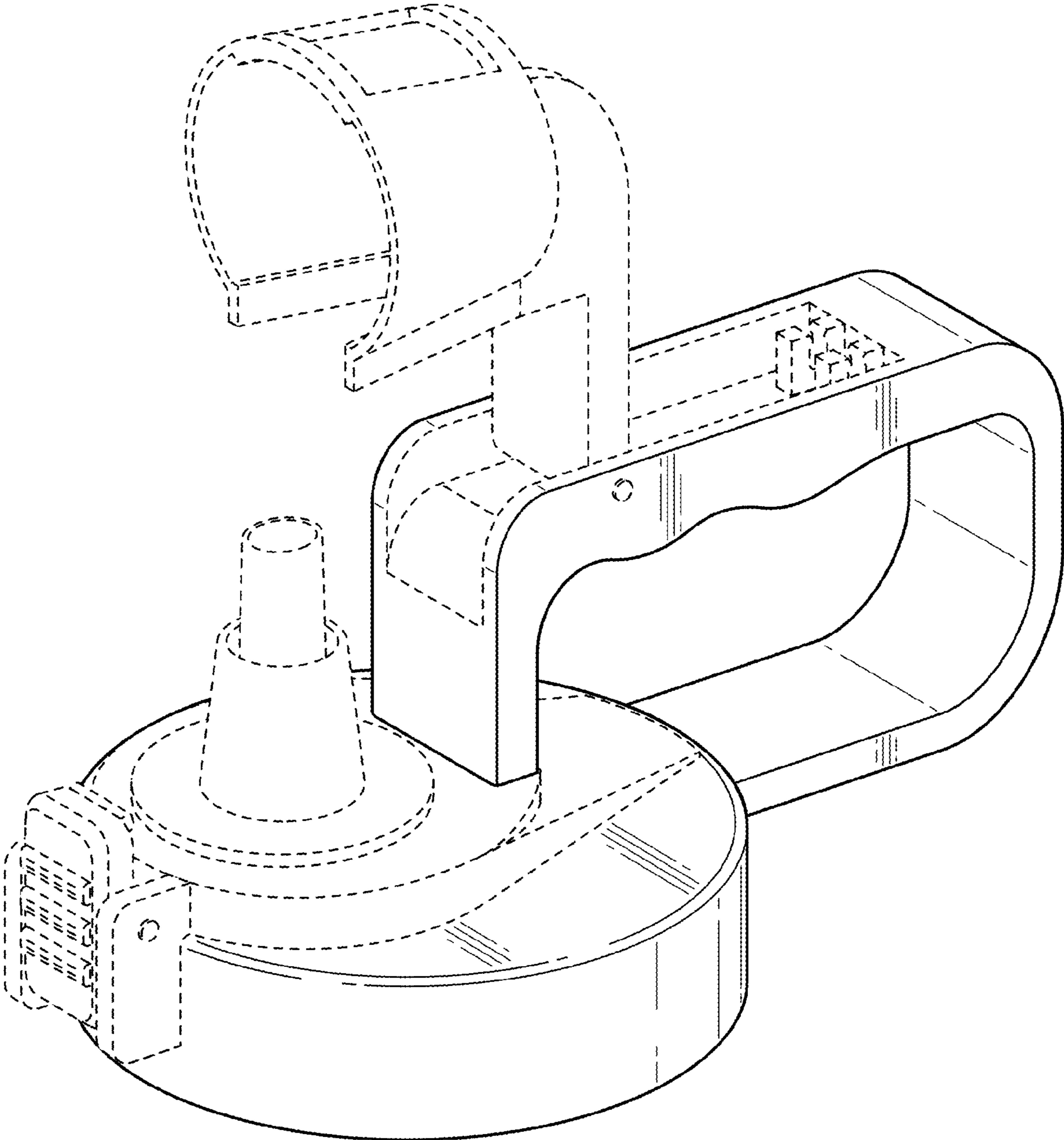


FIG. 1

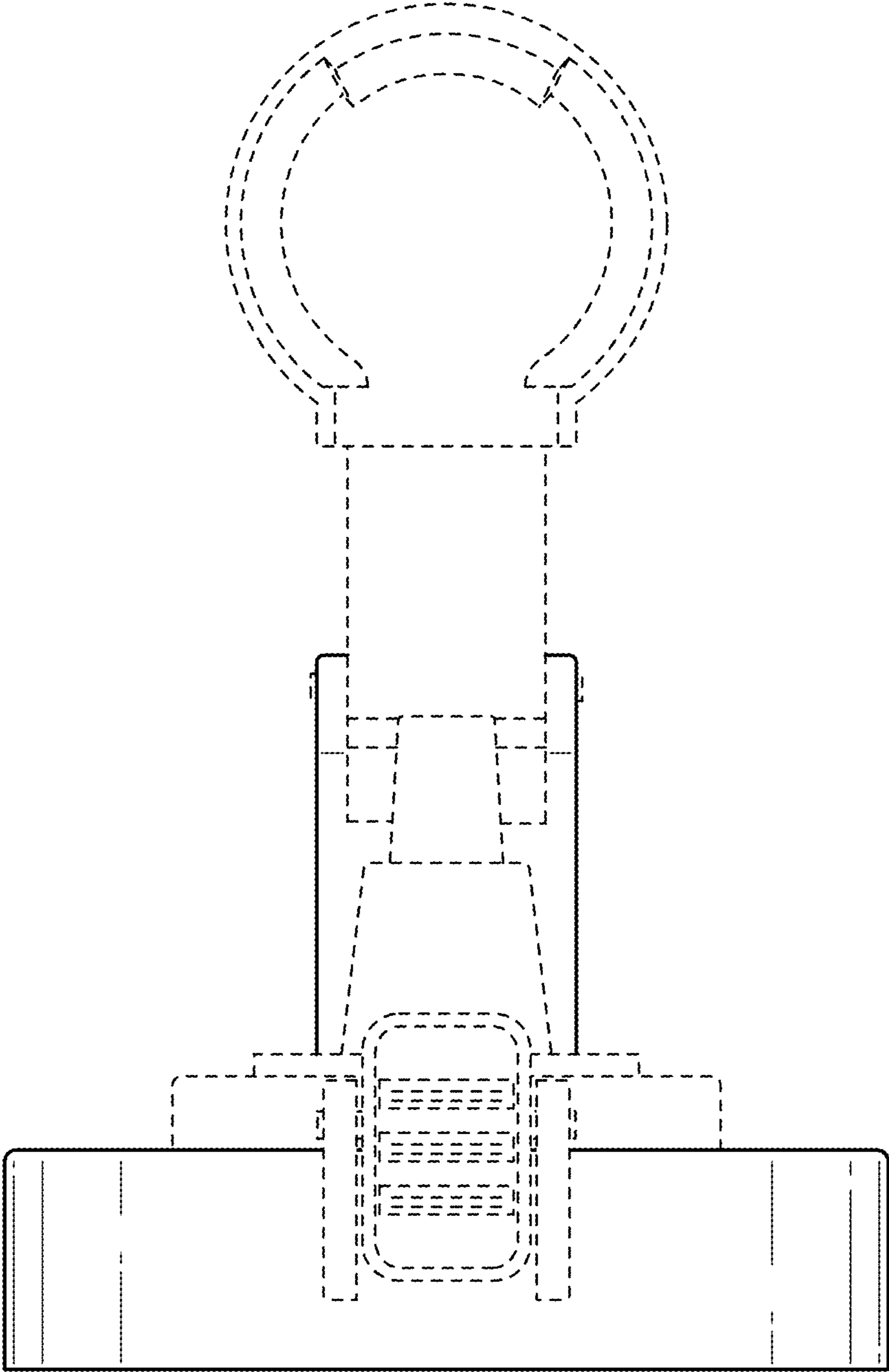


FIG. 2

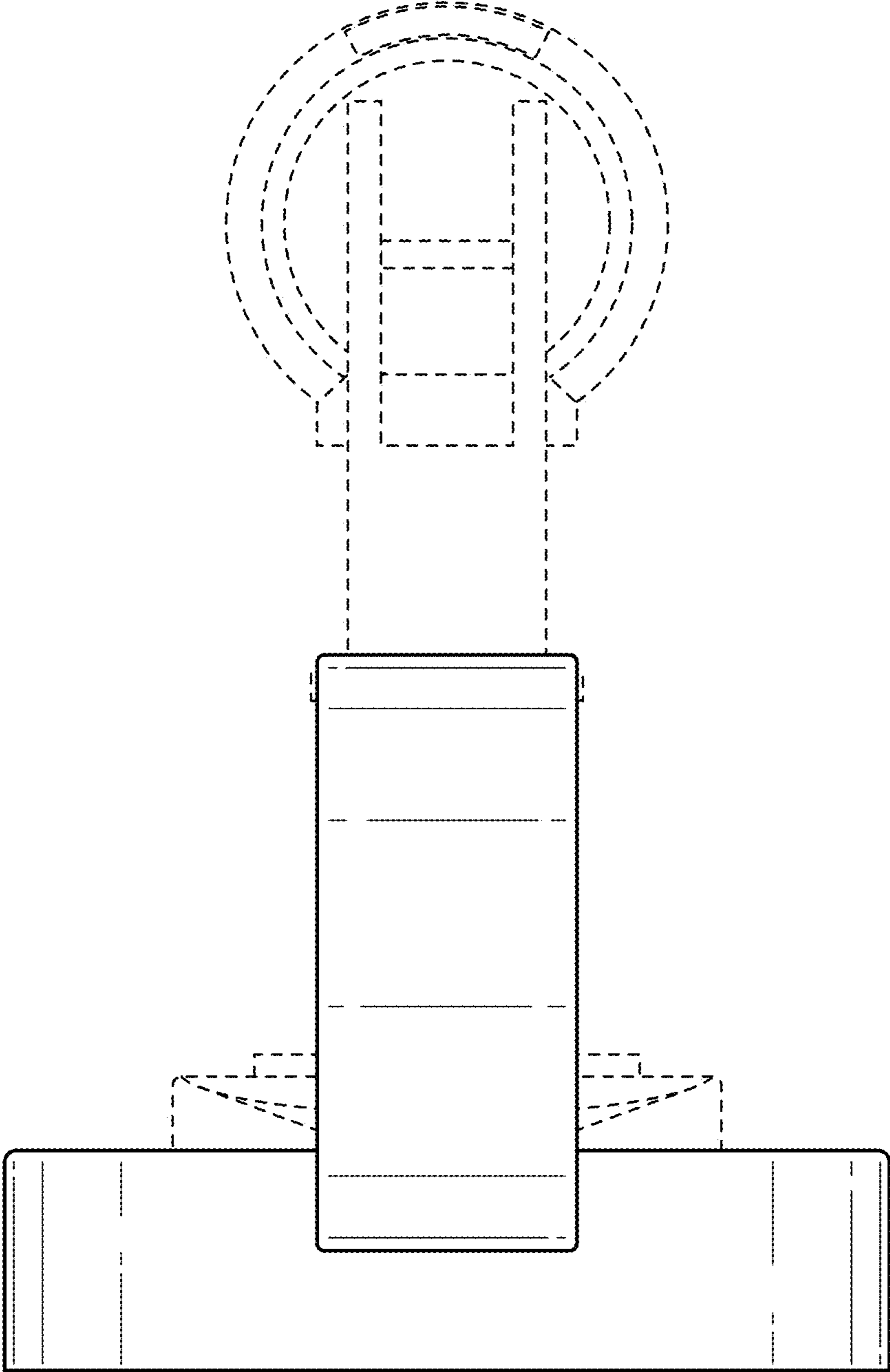
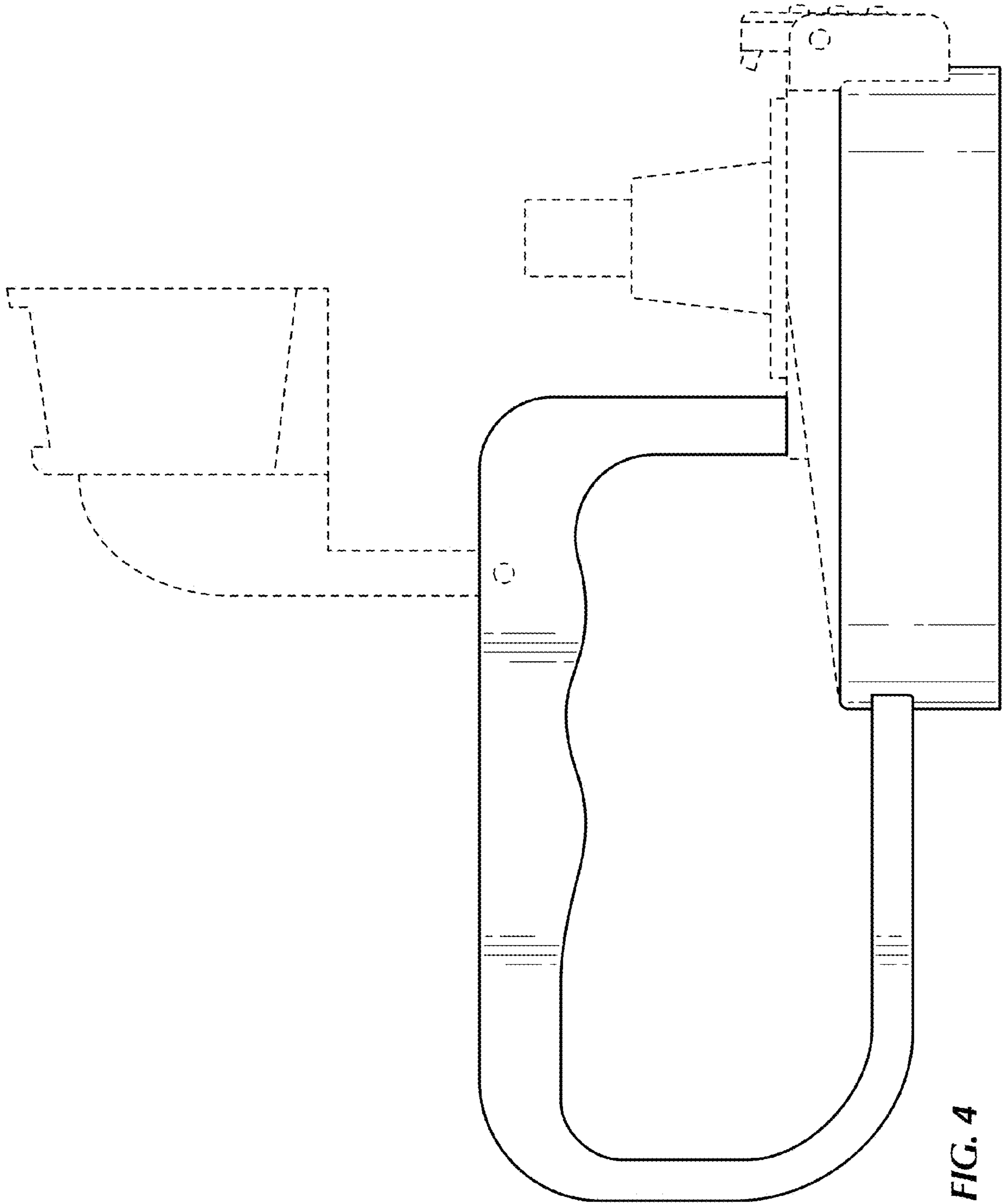
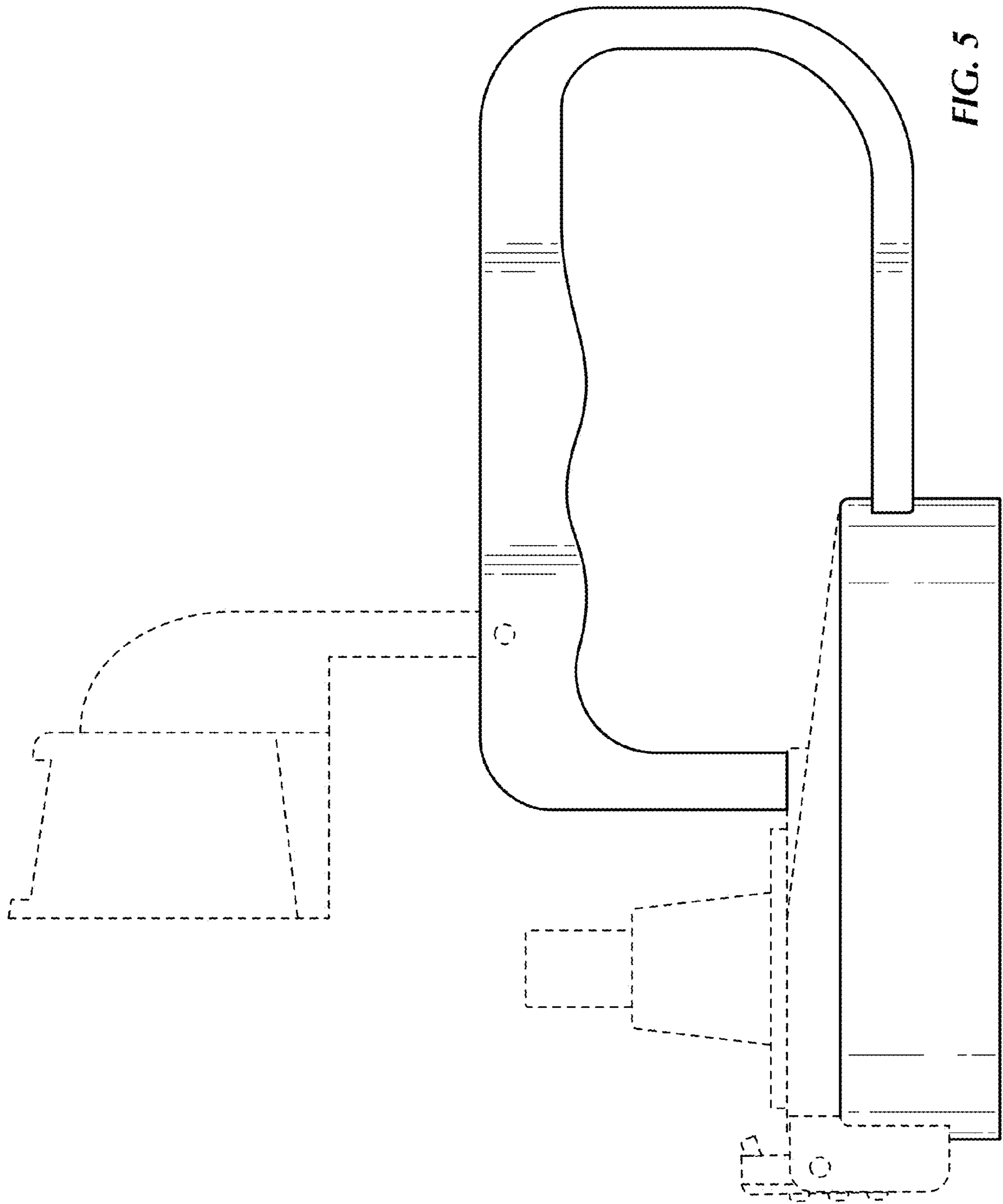


FIG. 3





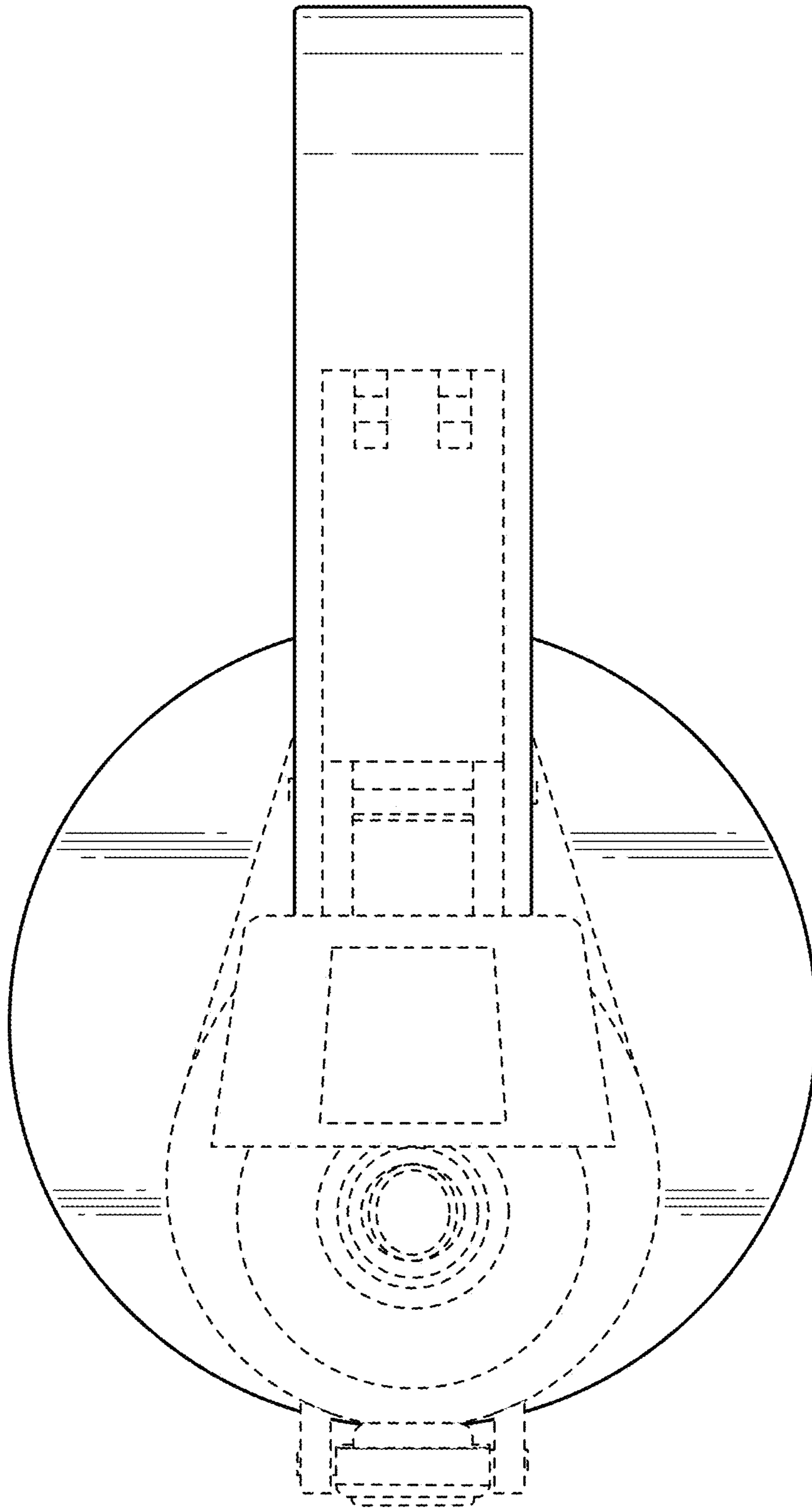


FIG. 6

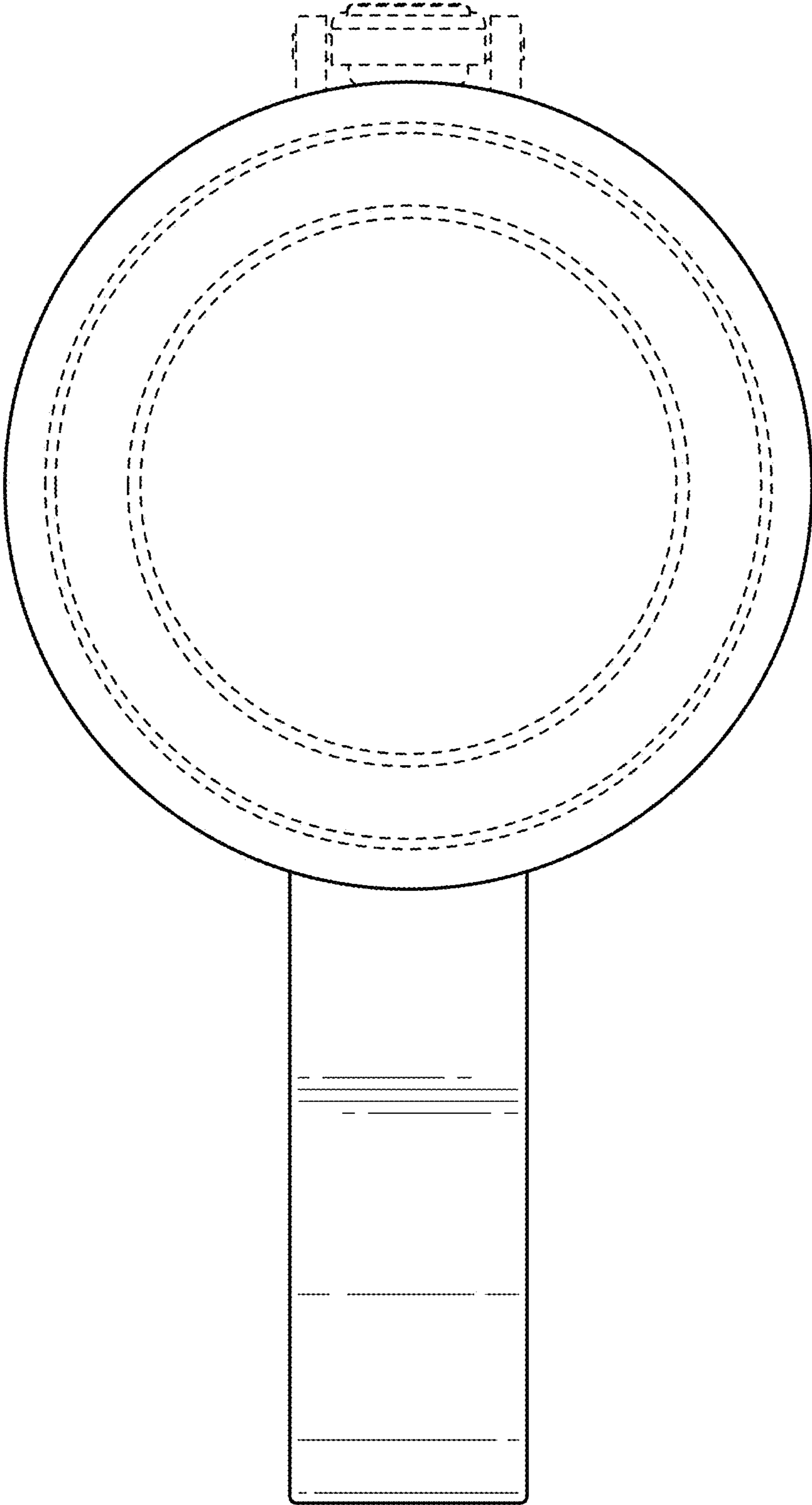


FIG. 7