



US00D947663S

(12) **United States Design Patent** (10) **Patent No.:** **US D947,663 S**
MacDonald et al. (45) **Date of Patent:** **** Apr. 5, 2022**

(54) **DOOR MULLION**
(71) Applicant: **Endura Products, Inc.**, Colfax, NC (US)
(72) Inventors: **Kevin T. MacDonald**, Greensboro, NC (US); **Tomasz Jaskiewicz**, Colfax, NC (US); **Eric Johnson**, Edenton, NC (US)
(73) Assignee: **Endura Products, LLC**, Colfax, NC (US)
(**) Term: **15 Years**

5,847,016 A	12/1998	Cope	521/84.1
5,932,334 A	8/1999	Deaner et al.	428/292.4
5,981,631 A	11/1999	Ronden et al.	524/13
5,985,429 A	11/1999	Plummer et al.	428/220
5,987,843 A	11/1999	Canfield	52/656.4
6,003,277 A	12/1999	Graham et al.	52/309.7
6,004,668 A	12/1999	Deaner et al.	428/326
6,011,091 A	1/2000	Zehner	524/13
6,015,611 A	1/2000	Deaner et al.	428/326
6,015,612 A	1/2000	Deaner et al.	428/326
6,066,680 A	5/2000	Cope	521/79
6,103,791 A	8/2000	Zehner	524/13
6,125,605 A	10/2000	Young	52/717.01
6,143,811 A	11/2000	Oda et al.	524/13

(Continued)

(21) Appl. No.: **29/696,795**
(22) Filed: **Jul. 1, 2019**
(51) **LOC (13) Cl.** **08-09**
(52) **U.S. Cl.**
USPC **D8/400**
(58) **Field of Classification Search**
USPC D13/133; D8/400, 380-381, 499;
D25/60-61, 119-126, 35, 43-44, 55-57
CPC E05D 15/0652; E05F 11/02; E06B 1/32;
E06B 1/34; E06B 1/524; E06B
2003/7049
See application file for complete search history.

Primary Examiner — Susan Bennett Hattan
Assistant Examiner — Elizabeth S Ko
(74) *Attorney, Agent, or Firm* — MacCord Mason PLLC

(57) **CLAIM**

The ornamental design for a door mullion, as shown and described.

DESCRIPTION

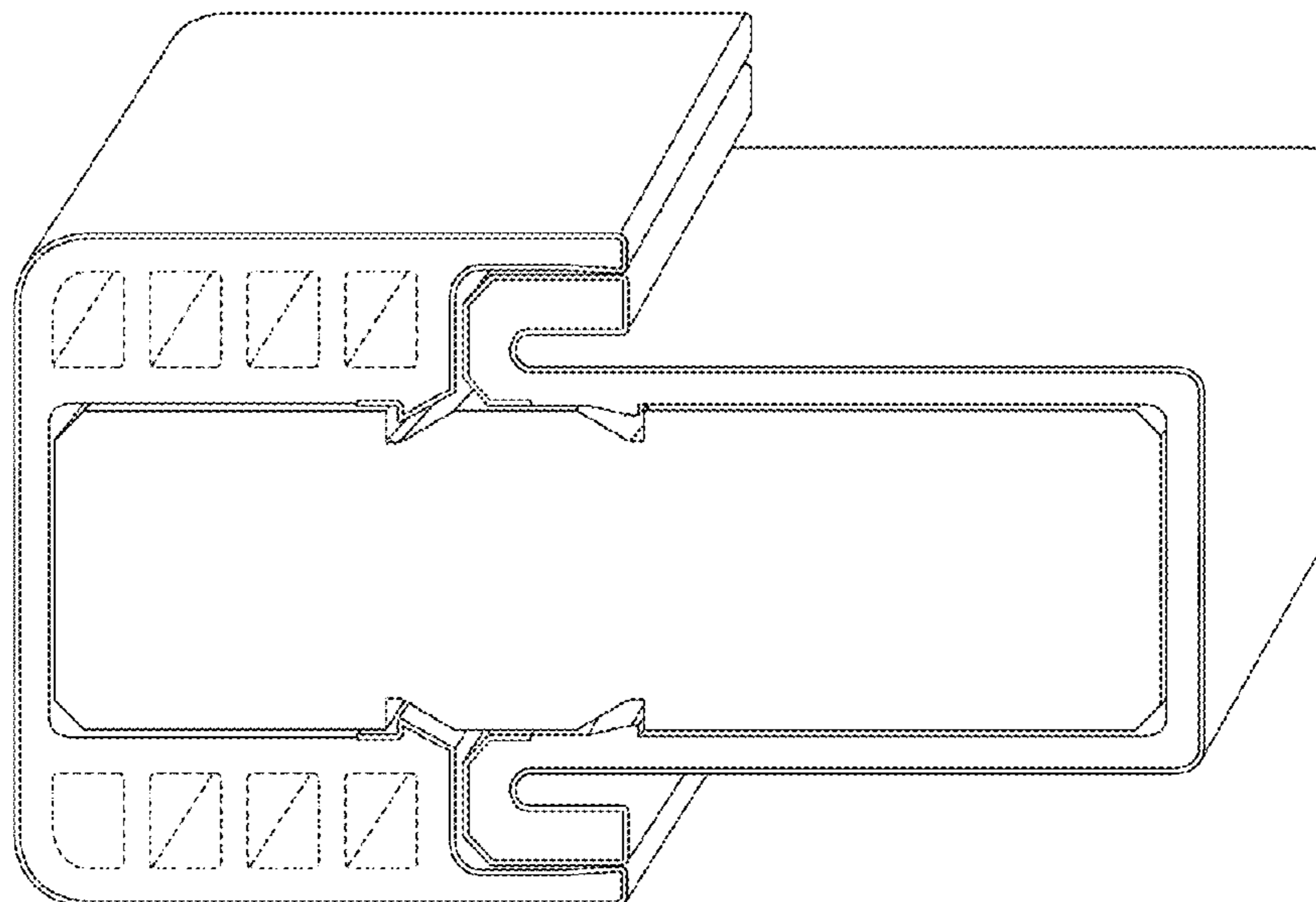
FIG. 1 is a side view of a door mullion showing my new design;
FIG. 2 is a front view thereof;
FIG. 3 is a back view thereof;
FIG. 4 is an end view of the embodiment of FIG. 1;
FIG. 5 is an exploded view of the embodiment of FIG. 4;
FIG. 6 is a perspective view of the embodiment of FIG. 4;
FIG. 7 is an end view of another embodiment of the door jamb of FIG. 1;
FIG. 8 is an exploded view of the embodiment of FIG. 7;
and,
FIG. 9 is a perspective view of the embodiment of FIG. 7.
The broken lines shown in the drawings depict portions of the door mullion that form no part of the claimed design.

(56) **References Cited**

U.S. PATENT DOCUMENTS

D296,135 S *	6/1988	Dreiling	D25/136
5,058,323 A	10/1991	Gerritsen	49/504
5,435,106 A	7/1995	Garries et al.	52/204.5
5,491,951 A	2/1996	Riegelman	52/309.16
5,511,355 A	4/1996	Dingier	52/729.5
5,539,027 A	7/1996	Deaner et al.	524/13
5,634,303 A	6/1997	Ellingson	52/210
5,695,874 A	12/1997	Deaner et al.	428/326
5,773,138 A	6/1998	Seethamraju et al.	428/326
5,827,607 A	10/1998	Deaner et al.	428/326
5,836,118 A	11/1998	Thornton et al.	52/204.1

1 Claim, 7 Drawing Sheets



(56)

References Cited

U.S. PATENT DOCUMENTS

6,148,582 A 11/2000 Ellingson 52/656.4
 6,248,813 B1 6/2001 Zehner 524/13
 6,295,779 B1 10/2001 Canfield 52/656.4
 6,344,268 B1 2/2002 Stucky et al. 428/317.9
 6,344,504 B1 2/2002 Zehner et al. 524/14
 6,378,266 B1 5/2002 Ellingson 52/656.4
 6,453,631 B1 9/2002 Headrick 52/210
 6,498,205 B1 12/2002 Zehner 524/14
 D473,661 S * 4/2003 Kim D25/122
 6,557,309 B1 5/2003 Johnson 52/210
 6,590,004 B1 7/2003 Zehner 521/84.1
 6,631,595 B1 10/2003 Minter 52/212
 D487,936 S * 3/2004 Habeck D25/124
 6,766,621 B2 7/2004 Reppermund 52/204.1
 6,780,359 B1 8/2004 Zehner et al. 264/115
 D501,260 S * 1/2005 Mitrevics D25/124
 D501,937 S * 2/2005 Mitrevics D25/124
 6,890,965 B1 5/2005 Johnson et al. 521/54
 6,922,969 B1 8/2005 Mina 52/738.1
 6,971,211 B1 12/2005 Zehner 52/518
 D513,806 S * 1/2006 Mitrevics D25/124
 7,030,179 B2 4/2006 Patterson et al. 524/13
 7,111,433 B2 9/2006 Kerscher 52/212
 7,151,125 B2 12/2006 Williams et al. 524/13
 7,160,601 B2 1/2007 Elingson 428/158
 7,186,457 B1 3/2007 Zehner et al. 428/326
 7,204,059 B2 4/2007 Schiffmann et al. 52/211
 D570,203 S * 6/2008 Shiimoto 24/297
 7,446,138 B2 11/2008 Matuana et al. 524/13
 7,449,517 B1 11/2008 Rock 525/35
 7,514,485 B2 5/2009 Frenkel et al. 524/13
 7,550,404 B2 6/2009 Fisher et al. 502/60

7,635,731 B2 12/2009 Sigworth et al. 524/13
 7,816,431 B2 10/2010 Heath et al. 524/13
 7,930,866 B2 4/2011 Carlson et al. 52/834
 7,971,400 B2 7/2011 Boldt et al. 52/204.1
 D662,613 S * 6/2012 Williams D25/126
 8,266,856 B2 9/2012 Carlson et al. 52/309.16
 8,438,808 B2 5/2013 Carlson et al. 52/309.16
 8,629,211 B2 1/2014 Lavallee et al. 524/523
 9,845,633 B2 12/2017 Wang et al. 1/524
 D846,157 S * 4/2019 Luvison D25/123
 D850,657 S * 6/2019 Luvison D25/123
 10,941,606 B1 * 3/2021 Kendall E06B 1/524
 2002/0174610 A1 11/2002 Bennett et al. 52/204.1
 2007/0074469 A1 4/2007 Plagemann et al. 52/204.1
 2008/0172957 A1 7/2008 Kerscher 52/204.1
 2008/0190052 A1 8/2008 Kerscher 52/208
 2010/0192489 A1 8/2010 An 52/210
 2011/0083368 A1 * 4/2011 Lin E06B 5/161
 49/7
 2015/0015133 A1 * 1/2015 Carbajal A47F 3/04
 312/405
 2015/0247349 A1 * 9/2015 Terno E05D 15/0652
 49/409
 2016/0153705 A1 * 6/2016 Dubuc F25D 23/028
 312/405.1
 2018/0216344 A1 * 8/2018 Battaglia E04B 1/8209
 2018/0335078 A1 * 11/2018 Andersson F16C 29/005
 2019/0071863 A1 * 3/2019 Ting E04B 2/967
 2019/0226257 A1 * 7/2019 Fontijn E05D 15/0656
 2020/0191464 A1 * 6/2020 Avhale F25D 23/028
 2020/0263419 A1 * 8/2020 Stahl, Jr. E04B 2/96
 2020/0352355 A1 * 11/2020 Diederichs A47F 3/0434
 2021/0032872 A1 * 2/2021 Clarke, Jr. E04F 13/074

* cited by examiner

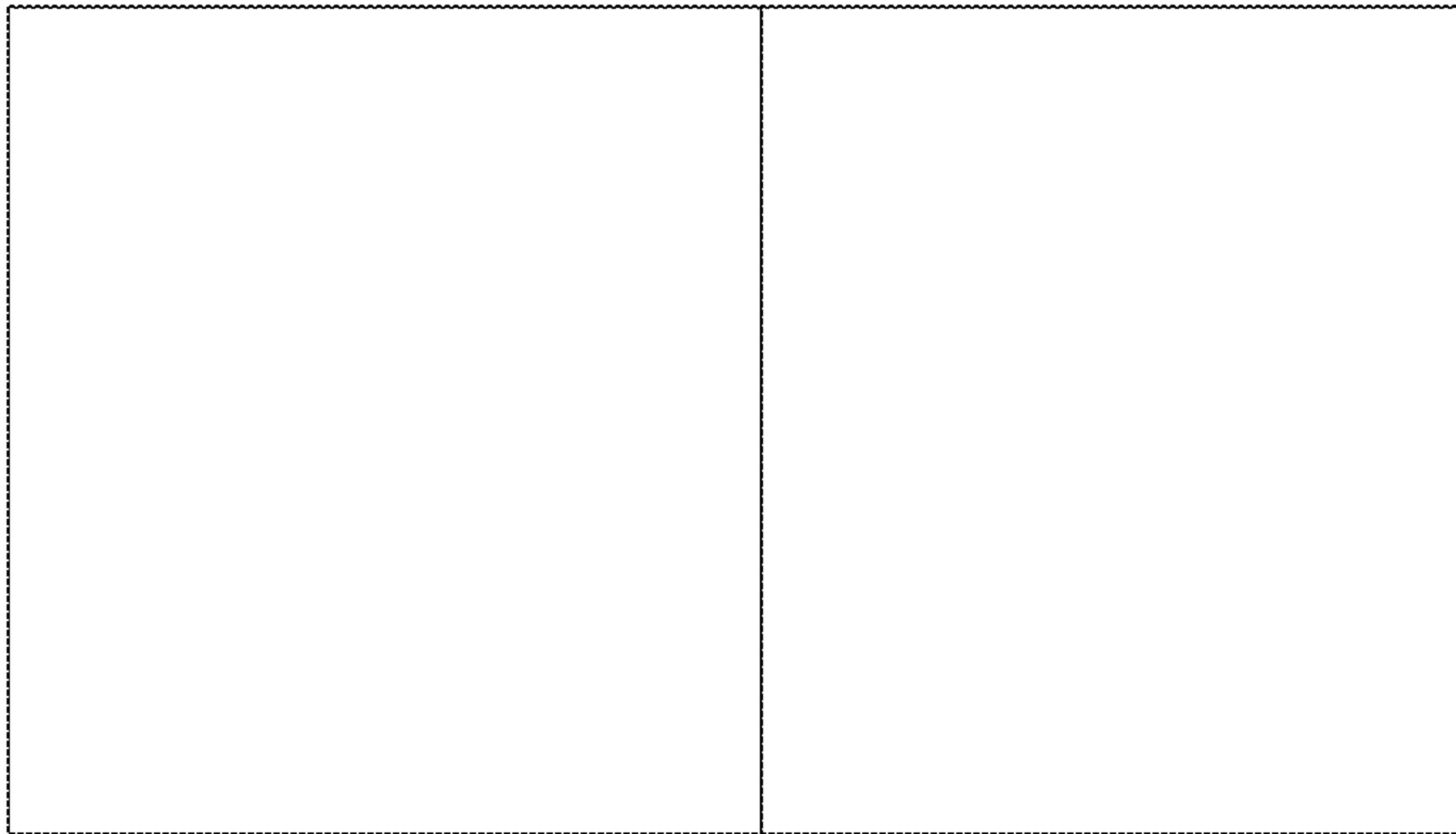


FIG. 1

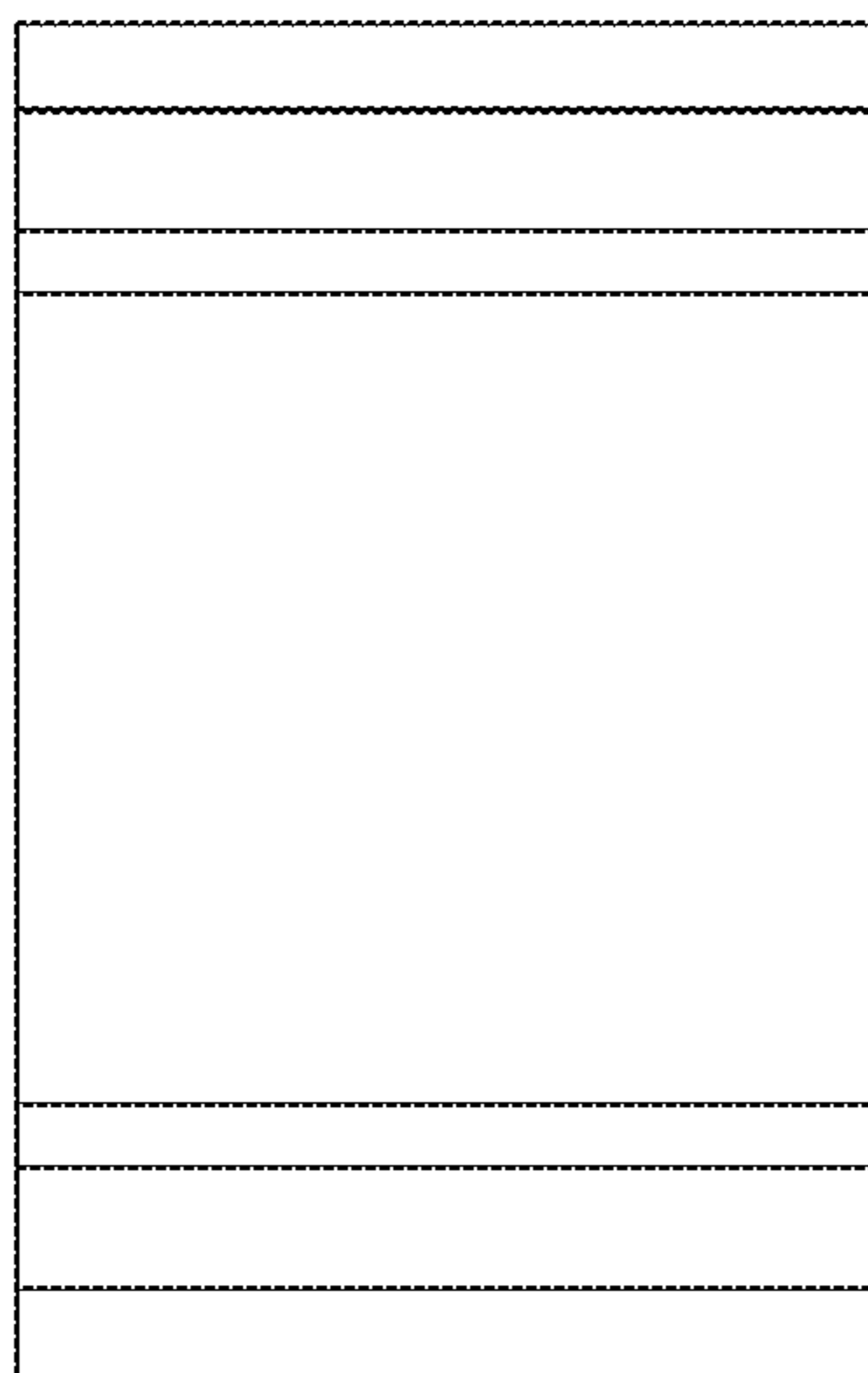


FIG. 2

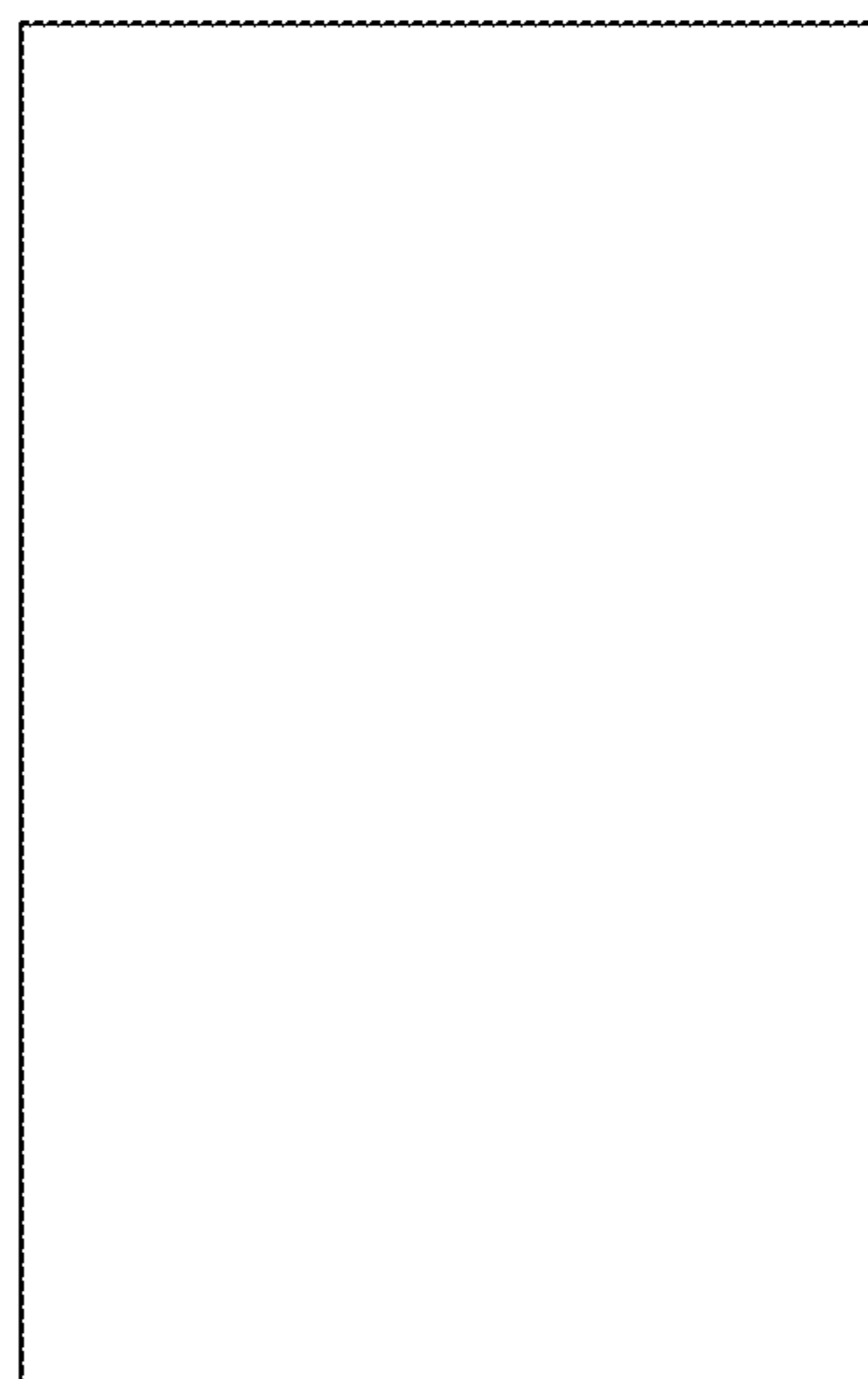


FIG. 3

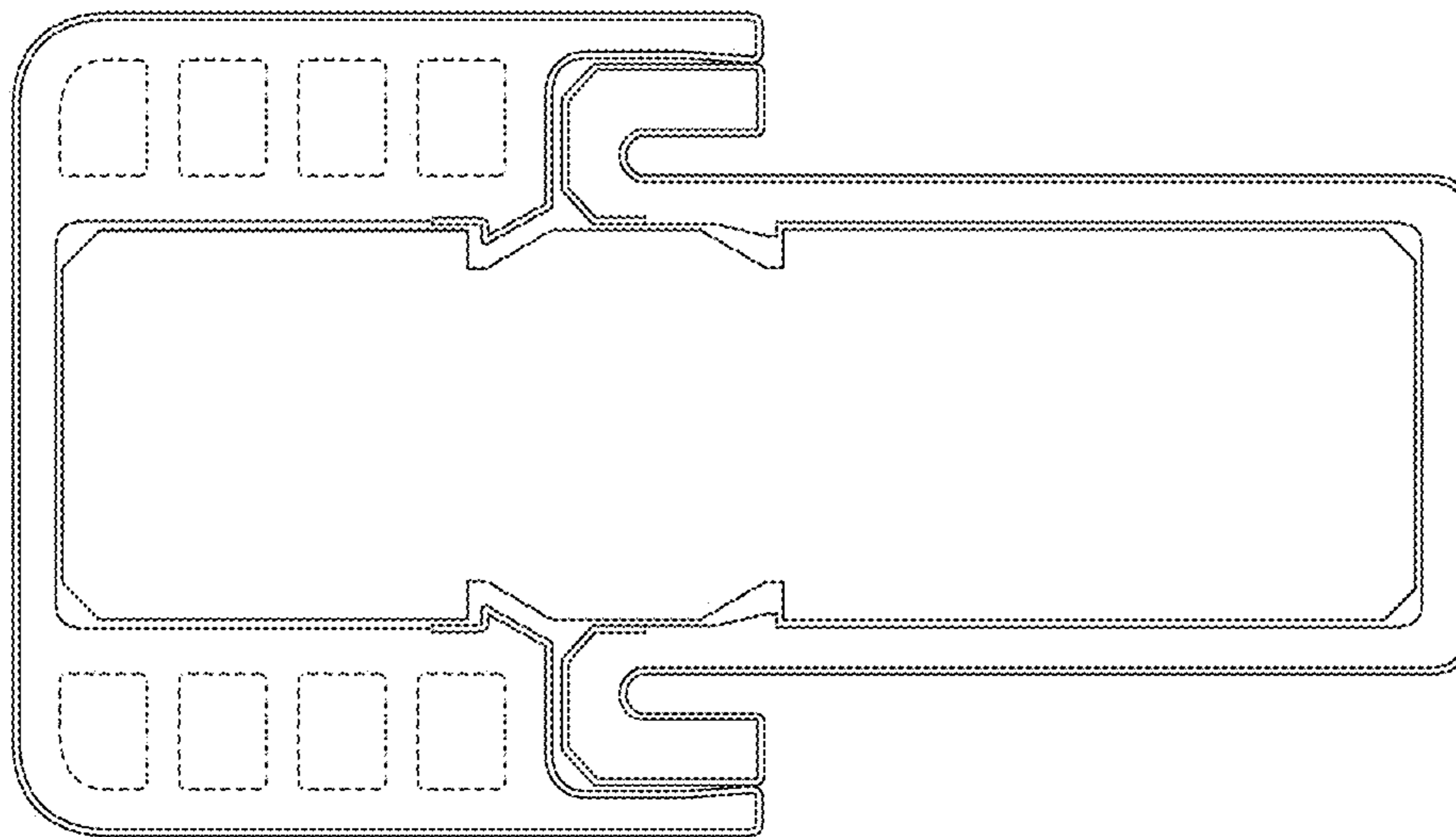


FIG. 4

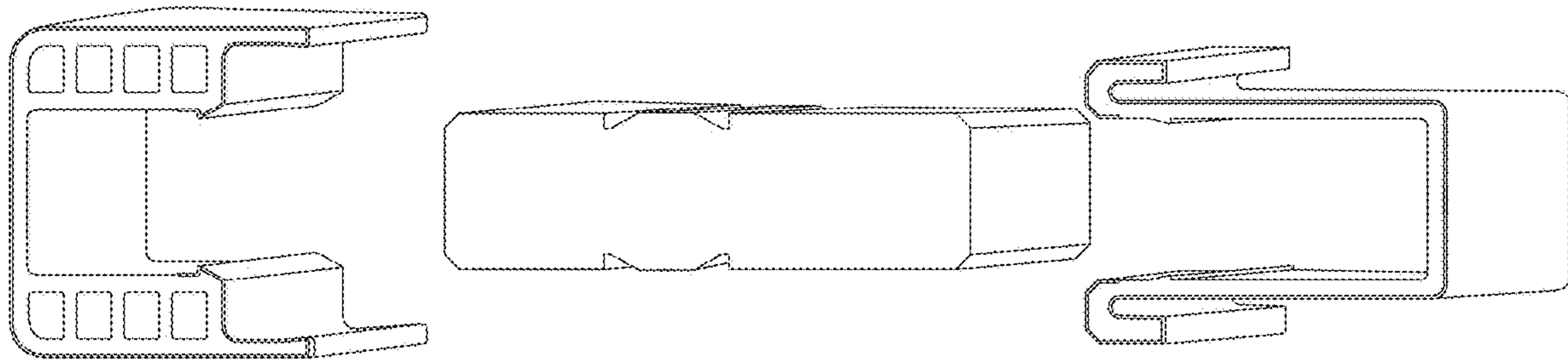


FIG. 5

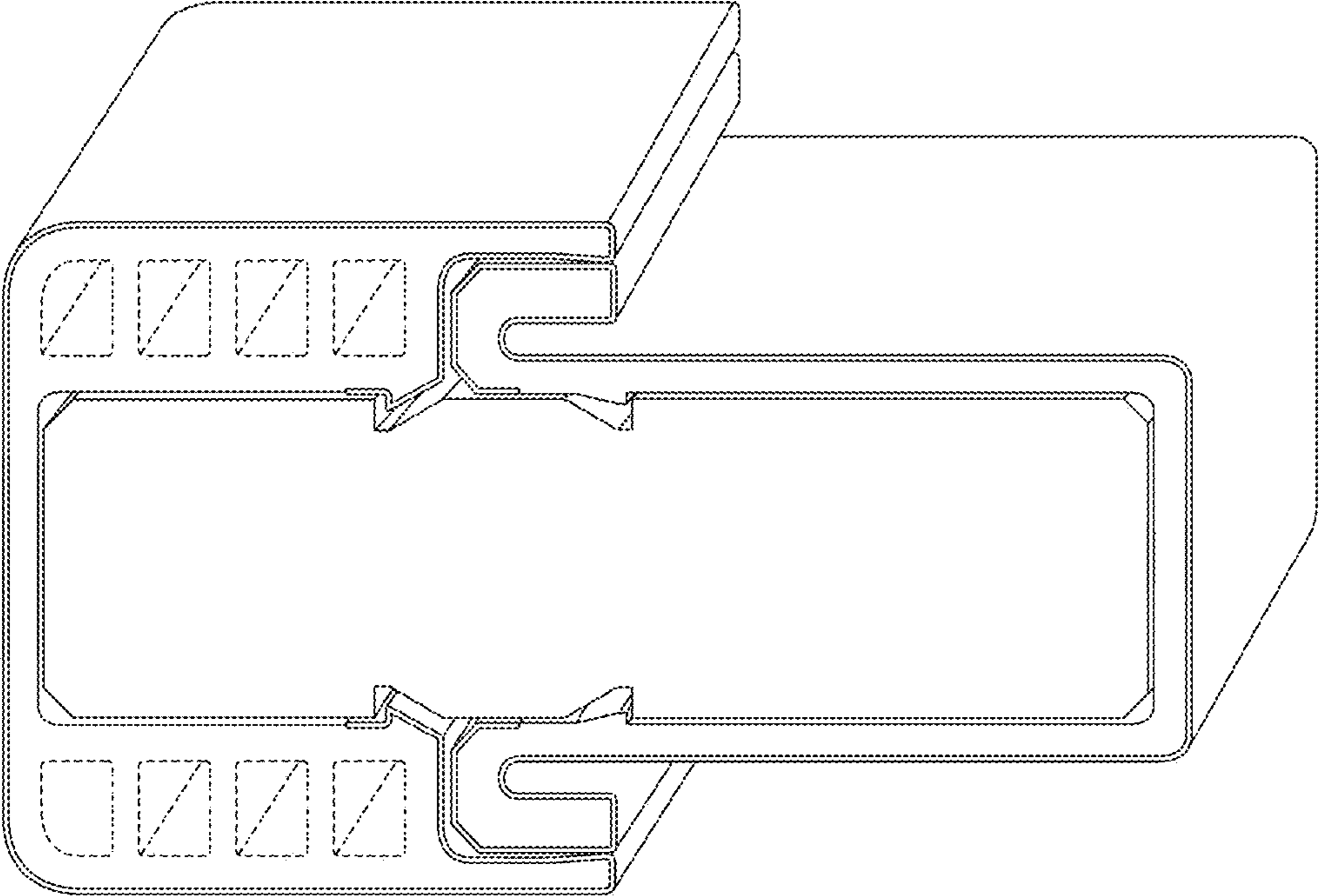


FIG. 6

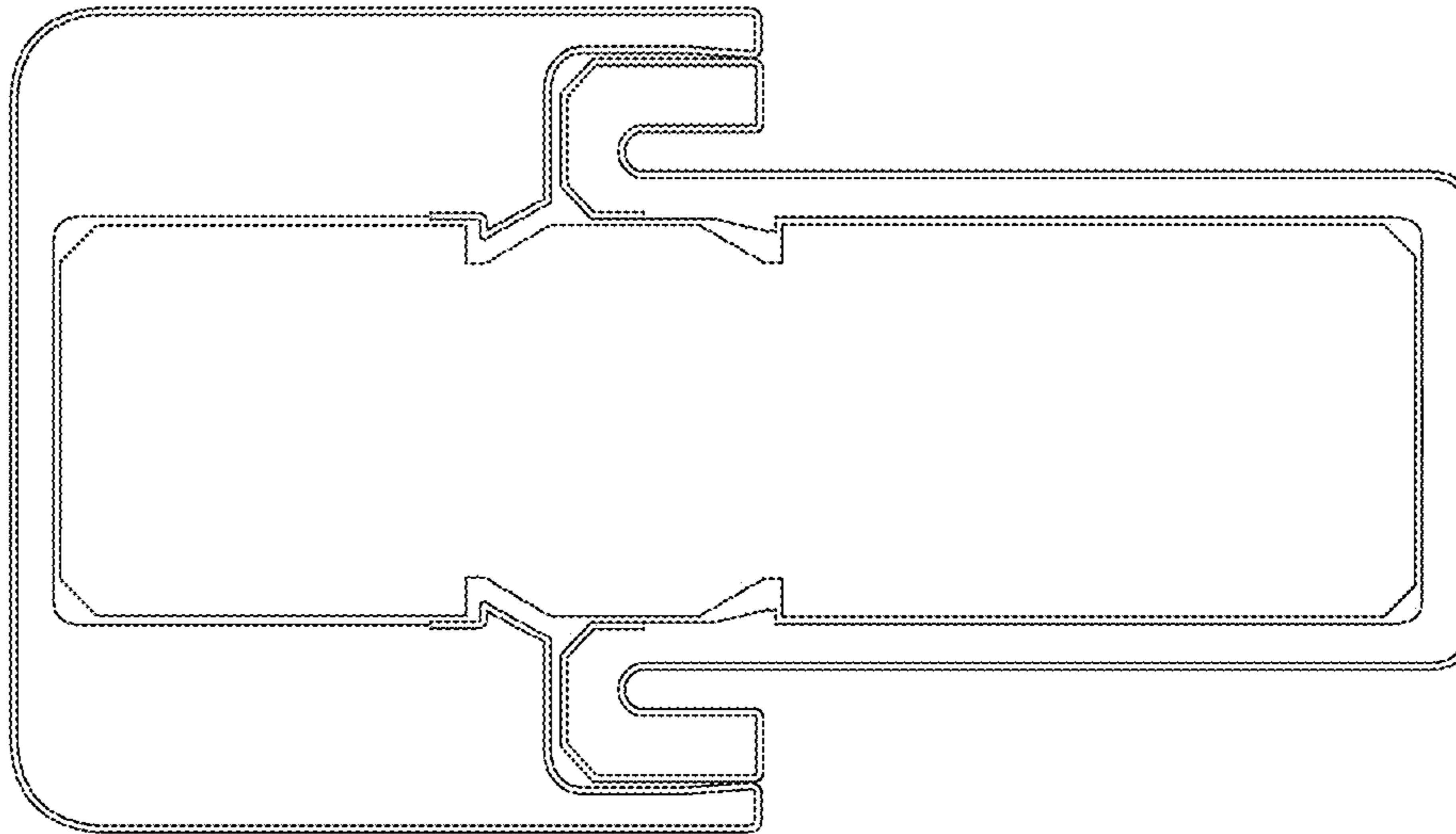


FIG. 7

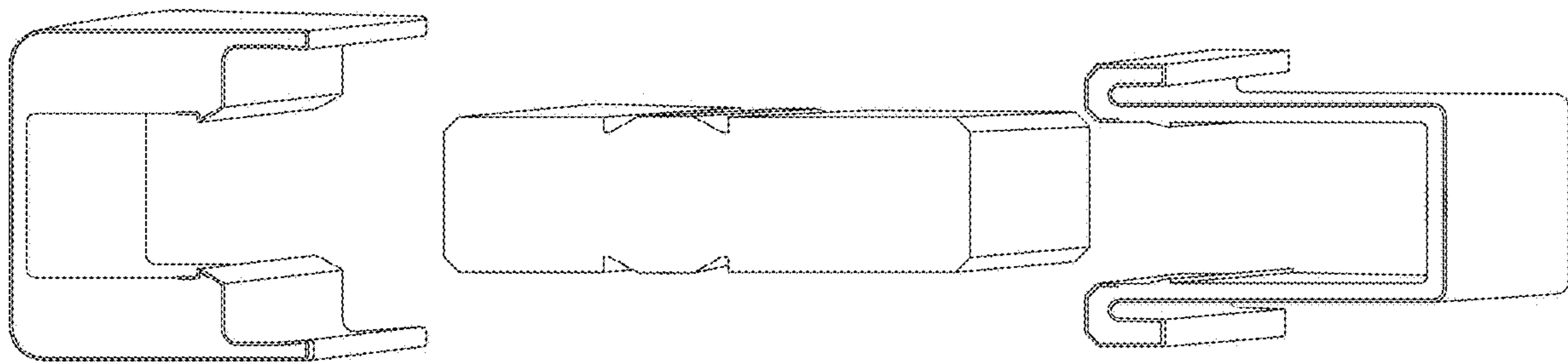


FIG. 8

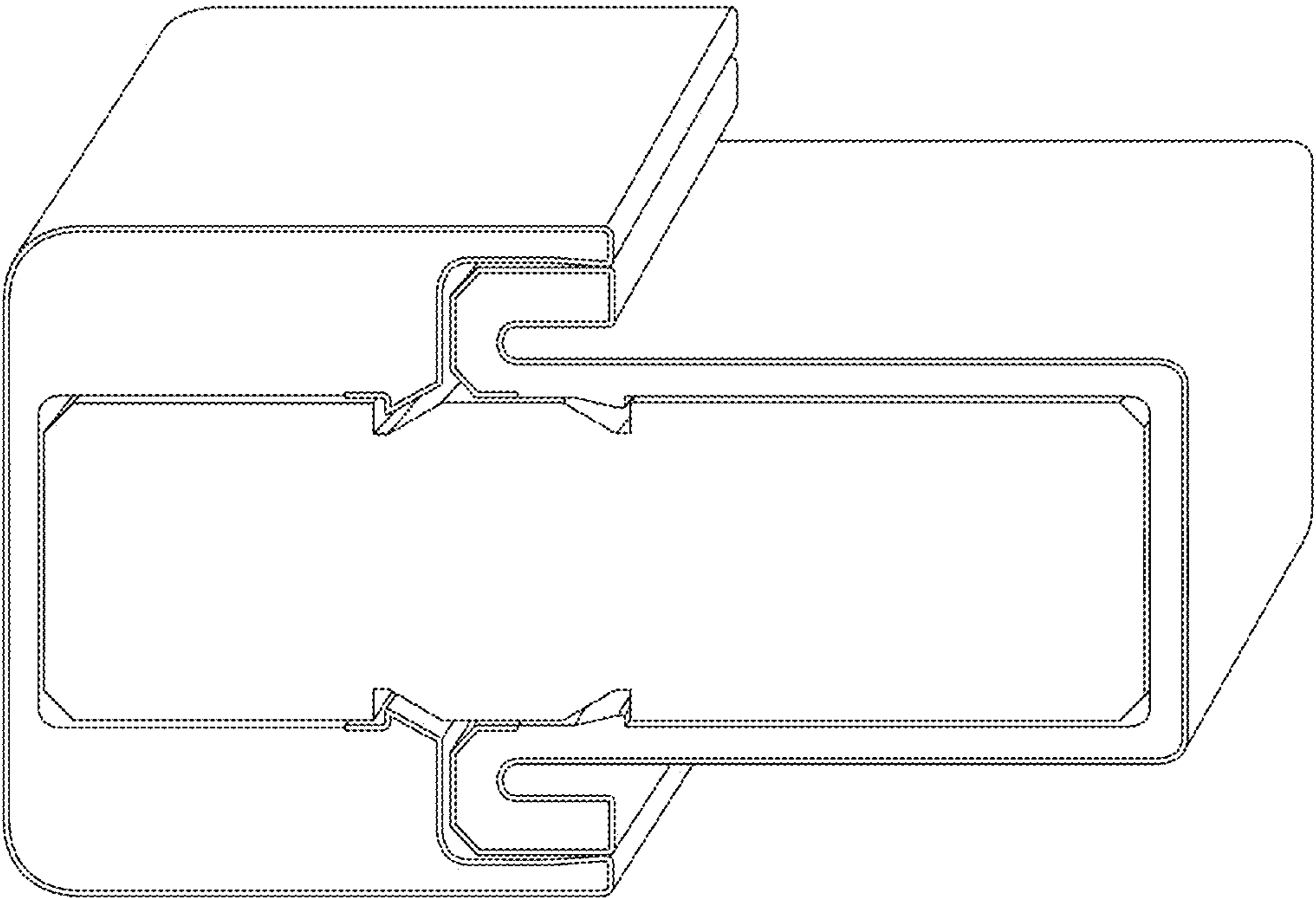


FIG. 9