



US00D947662S

(12) **United States Design Patent** (10) **Patent No.:** **US D947,662 S**
Thomas (45) **Date of Patent:** **** Apr. 5, 2022**

(54) **CLIP**
(71) Applicant: **NZ TUBE MILLS LIMITED**, Lower Hutt (NZ)
(72) Inventor: **Malcolm Thomas**, Upper Hutt (NZ)
(73) Assignee: **NZ TUBE MILLS LIMITED**, Lower Hutt (NZ)
(**) Term: **15 Years**

D402,396 S * 12/1998 Protz, Jr. D26/138
D417,141 S * 11/1999 Senninger D8/395
D417,612 S * 12/1999 Jones D26/138
D432,404 S * 10/2000 Garfinkle D8/395
D453,294 S * 2/2002 Bitzer D8/395
D560,482 S * 1/2008 Casteel D8/395
8,839,546 B2 * 9/2014 Taylor F41C 33/007
42/85
D747,636 S * 1/2016 Maher D8/72
D798,136 S * 9/2017 Pittman D8/382
D812,371 S * 3/2018 Horne D3/221

(Continued)

(21) Appl. No.: **29/731,610**
(22) Filed: **Apr. 16, 2020**

FOREIGN PATENT DOCUMENTS

EM 006286084-0003 * 3/2019

(30) **Foreign Application Priority Data**

Nov. 14, 2019 (NZ) 426771

(51) **LOC (13) Cl.** **08-08**
(52) **U.S. Cl.**

USPC **D8/394**

(58) **Field of Classification Search**

USPC D8/367, 394-396; D23/259, 269;
D24/155

CPC H01R 13/639; F16B 45/02; F16B 2/06;
A61F 5/448; F16L 33/06

See application file for complete search history.

OTHER PUBLICATIONS

Spring Steel Gripper Clip, Gibson Tools website 2021, [https://gibsongoodtools.com/products/250-k?variant . . .](https://gibsongoodtools.com/products/250-k?variant...), site visited Jul. 30, 2021.*

Primary Examiner — John R Yeh

(74) *Attorney, Agent, or Firm* — Grogan, Tuccillo & Vanderleeden, LLP

(57) **CLAIM**

The ornamental design for a a clip, as shown and described.

(56) **References Cited**

U.S. PATENT DOCUMENTS

D295,723 S * 5/1988 Shioda D8/380
5,332,090 A * 7/1994 Tucker A63B 55/408
206/315.3
D375,453 S * 11/1996 Fleck D8/395
D376,973 S * 12/1996 Brown D8/395
5,609,415 A * 3/1997 Protz, Jr. F21V 21/08
248/229.16
5,642,557 A * 7/1997 Clews E04B 2/7442
24/339
5,816,396 A * 10/1998 Shin A63B 55/40
206/315.3

DESCRIPTION

FIG. 1 is a top, front, right side perspective view of my new design for a clip;

FIG. 2 is a top view thereof;

FIG. 3 is a bottom view thereof;

FIG. 4 is a back view thereof;

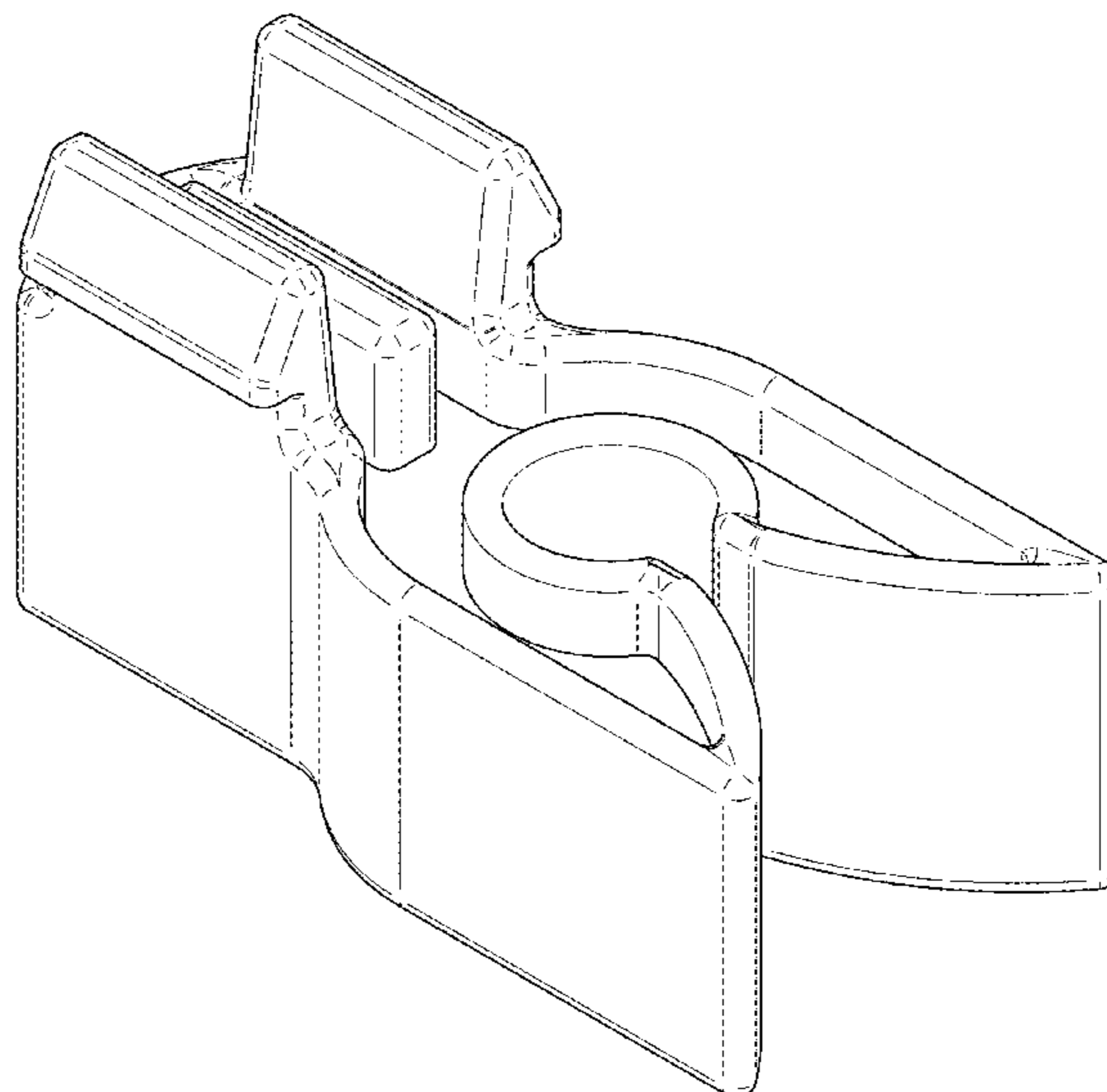
FIG. 5 is a front view thereof;

FIG. 6 is a left side view thereof; and,

FIG. 7 is a right side view thereof.

The broken lines in the drawings depict portions of the clip that form no part of the claimed design.

1 Claim, 7 Drawing Sheets



(56)

References Cited

U.S. PATENT DOCUMENTS

D836,431 S	*	12/2018	Frost	D8/396
D846,979 S	*	4/2019	Harms	D8/395
D859,138 S	*	9/2019	Thompson	D8/394
D899,241 S	*	10/2020	Gridley	D8/396

* cited by examiner

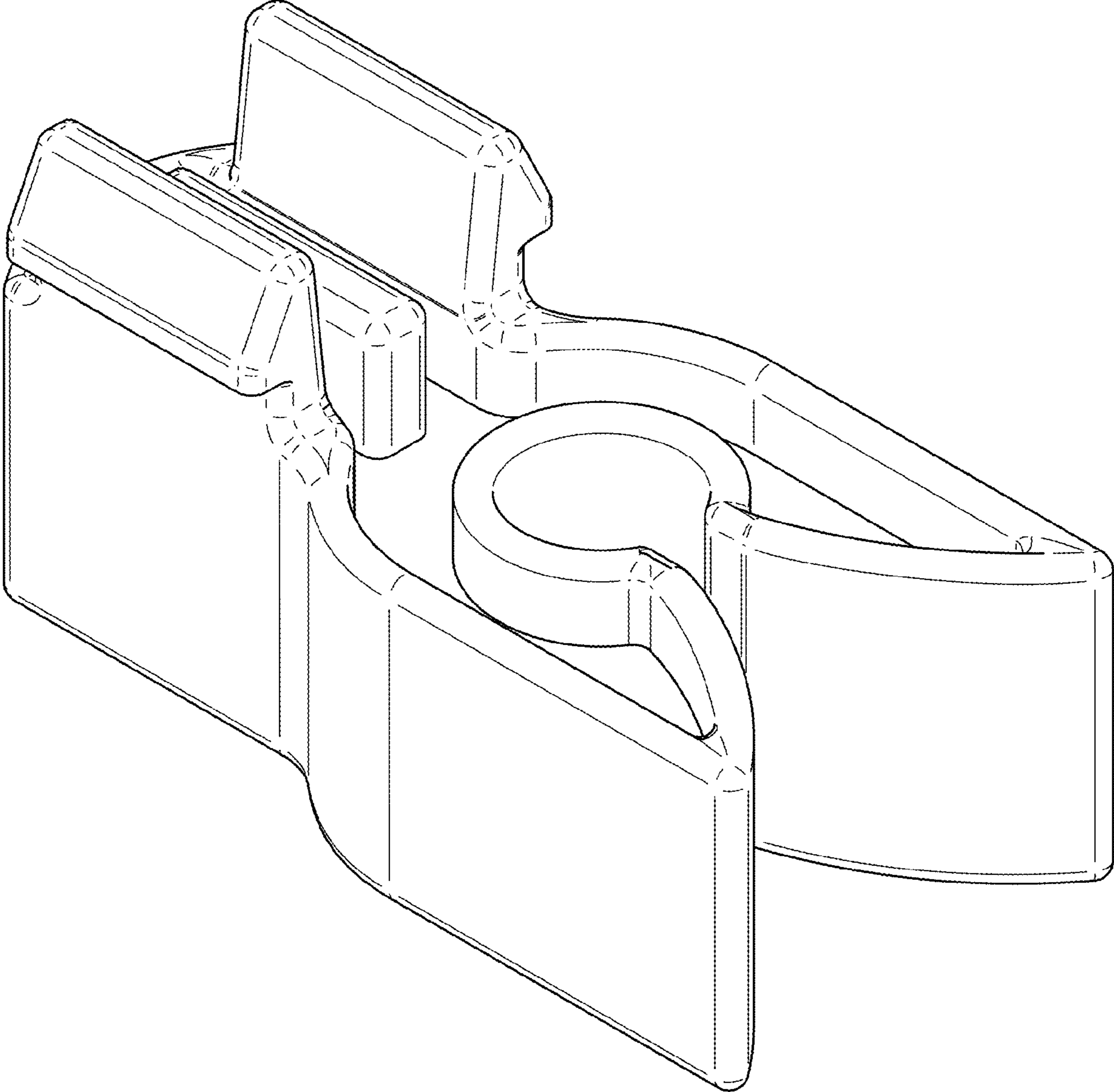


FIG. 1

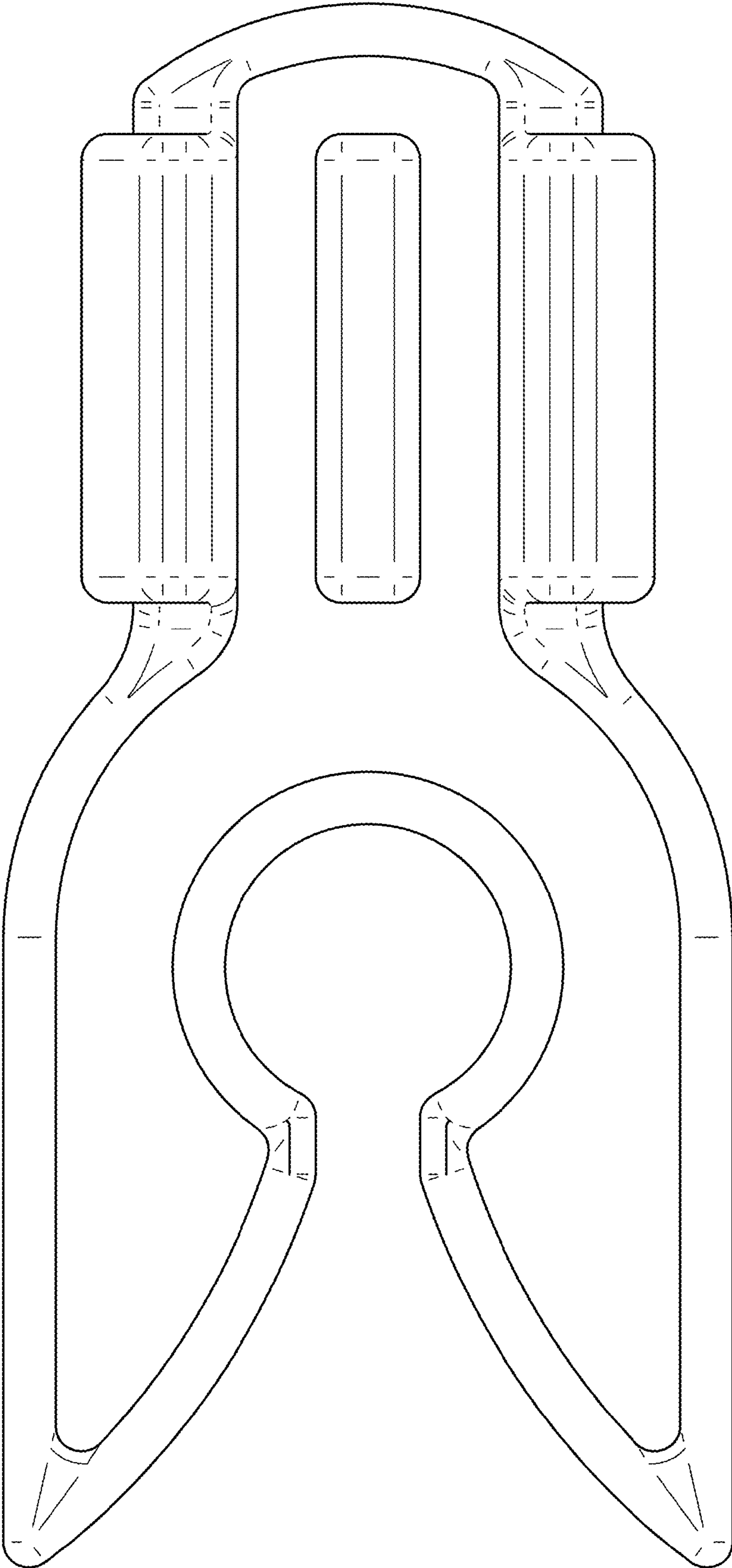


FIG. 2

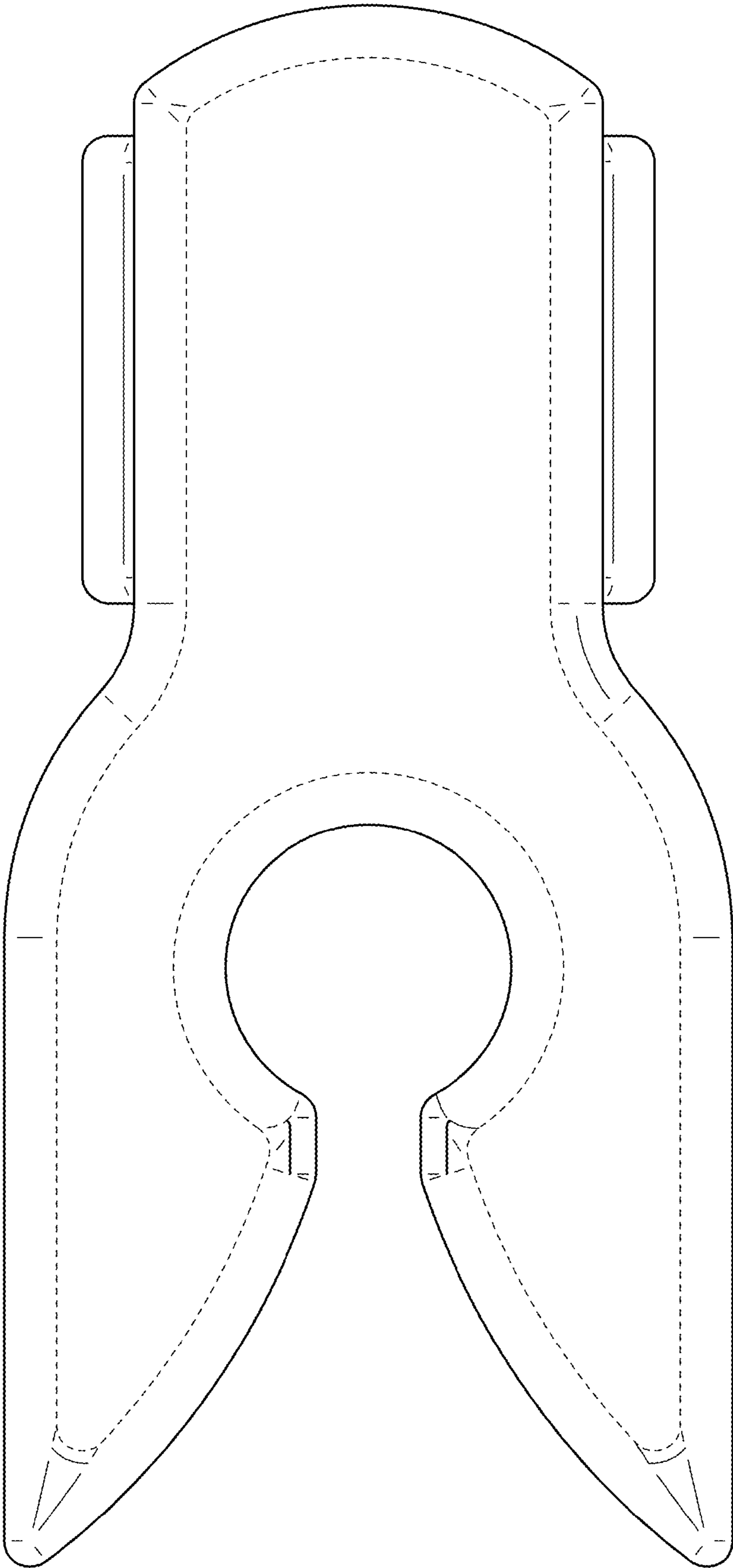


FIG. 3

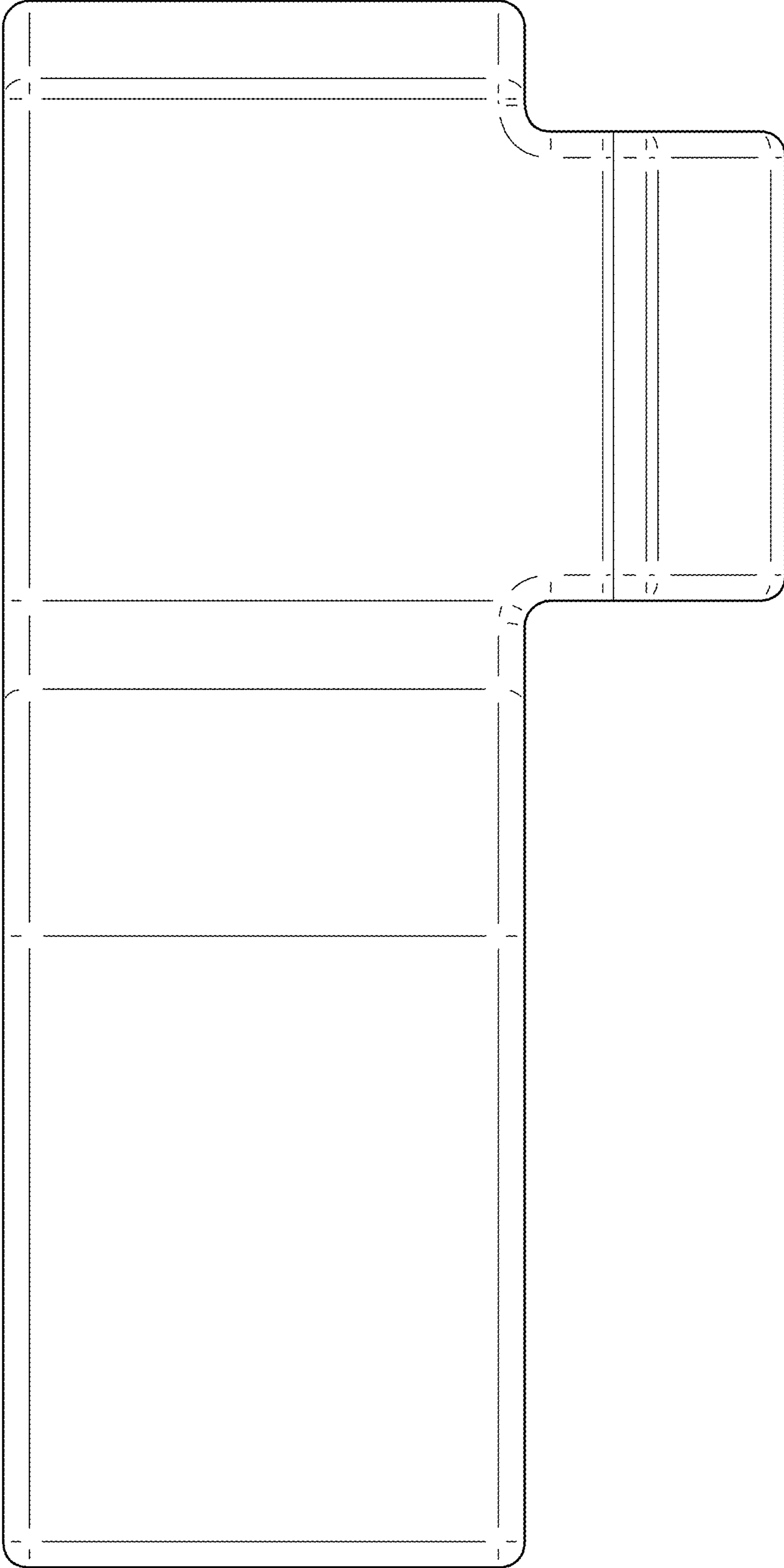


FIG. 4

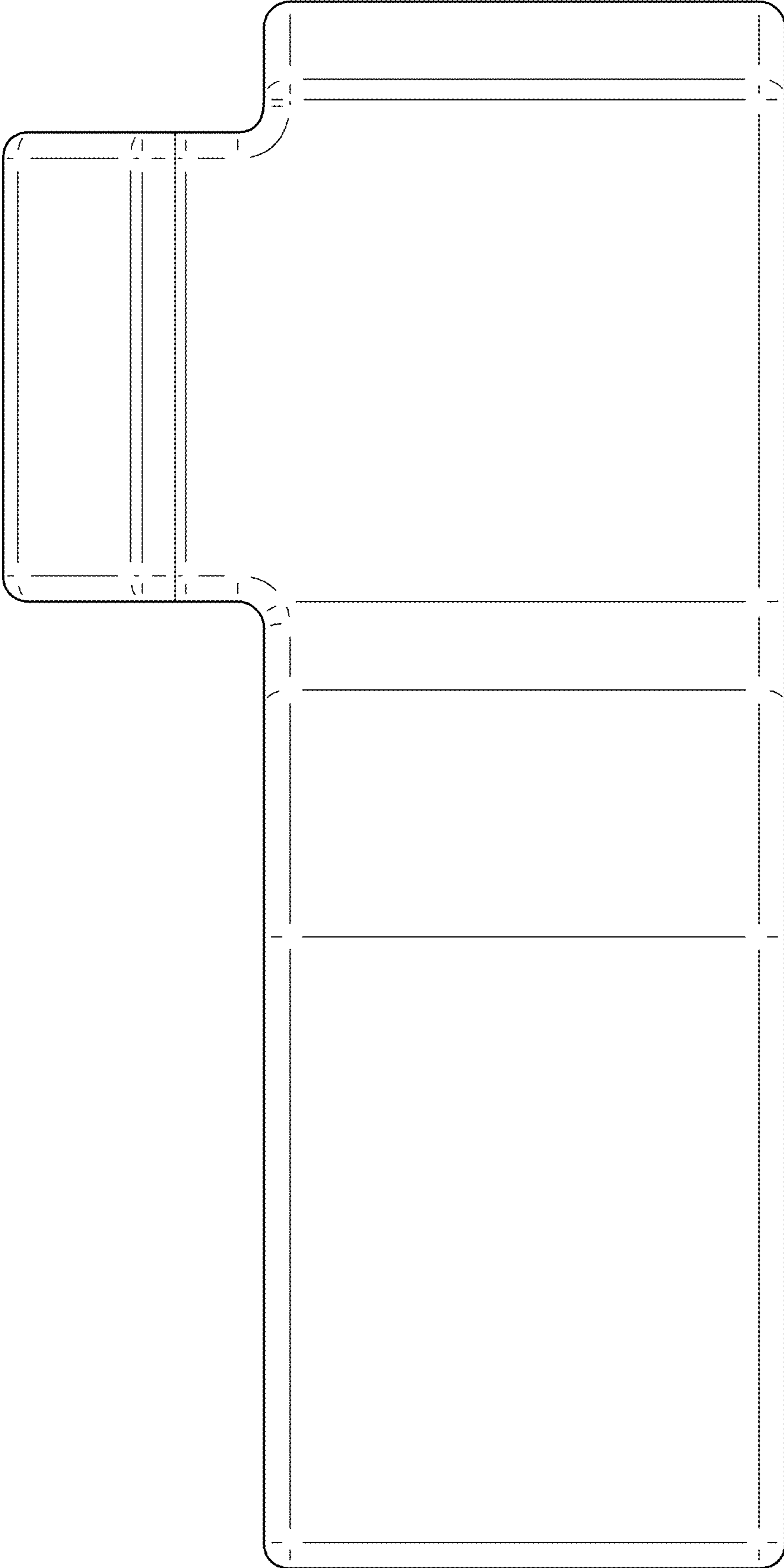


FIG. 5

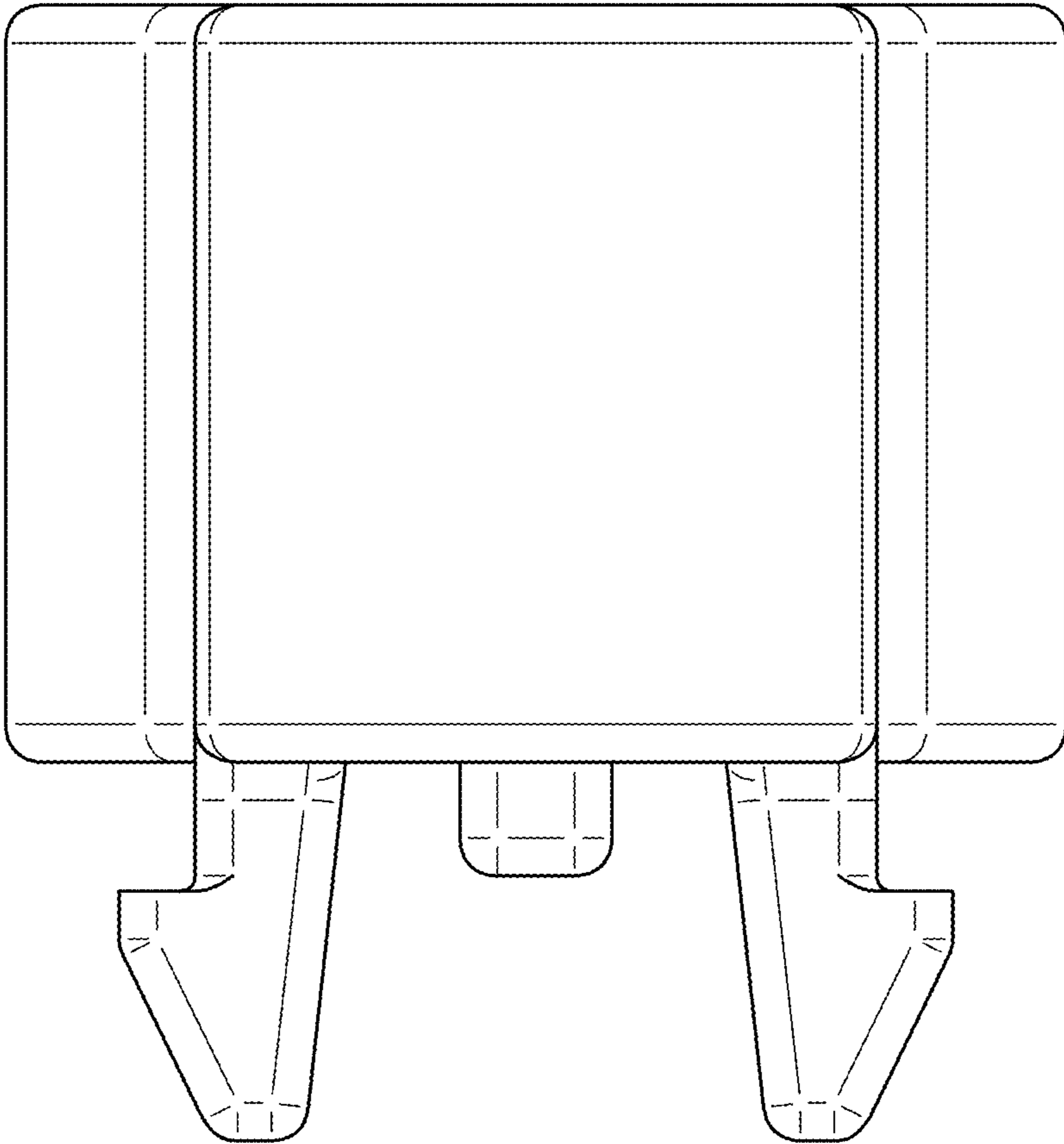


FIG. 6

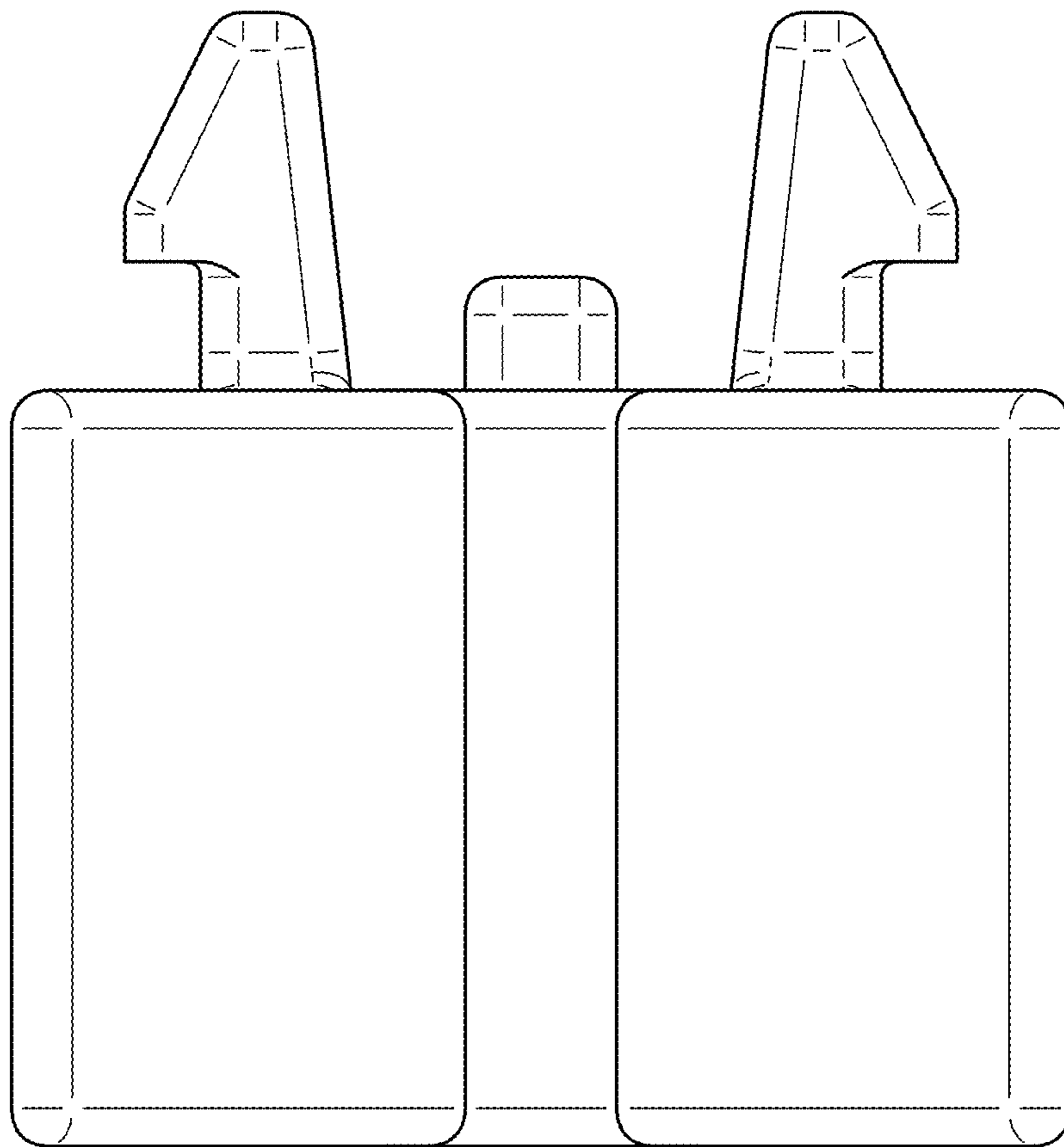


FIG. 7