

US00D947661S

(12) **United States Design Patent** (10) **Patent No.:** **US D947,661 S**
Vansickle et al. (45) **Date of Patent:** **** Apr. 5, 2022**

(54) **WINDOW BANDING CLIP**
(71) Applicant: **PEERLESS PRODUCTS, INC.**, Fort Scott, KS (US)
(72) Inventors: **Jordan B. Vansickle**, Fort Scott, KS (US); **Joshua R. Mintz**, Fort Scott, KS (US)
(73) Assignee: **PEERLESS PRODUCTS, INC.**, Fort Scott, KS (US)
(**) Term: **15 Years**
(21) Appl. No.: **29/719,896**
(22) Filed: **Jan. 8, 2020**
(51) **LOC (13) Cl.** **08-08**
(52) **U.S. Cl.**
USPC **D8/394**
(58) **Field of Classification Search**
USPC D8/394-395
CPC E06B 1/60; A61G 5/00; F16B 37/04
See application file for complete search history.

D685,991 S * 7/2013 Pearce D3/218
D778,508 S * 2/2017 Moreau D29/122
11,078,714 B1 * 8/2021 Vansickle E06B 3/5814
D939,946 S * 1/2022 Aucker D8/394
(Continued)

FOREIGN PATENT DOCUMENTS

GB 2020212 * 8/1992

OTHER PUBLICATIONS

U.S. Appl. No. 16/834,336, Notice of Allowance, dated Mar. 31, 2021, 8 pages.

(Continued)

Primary Examiner — John R Yeh
(74) *Attorney, Agent, or Firm* — Lathrop GPM LLP

(57) **CLAIM**

The ornamental design for a window banding clip, as shown and described.

DESCRIPTION

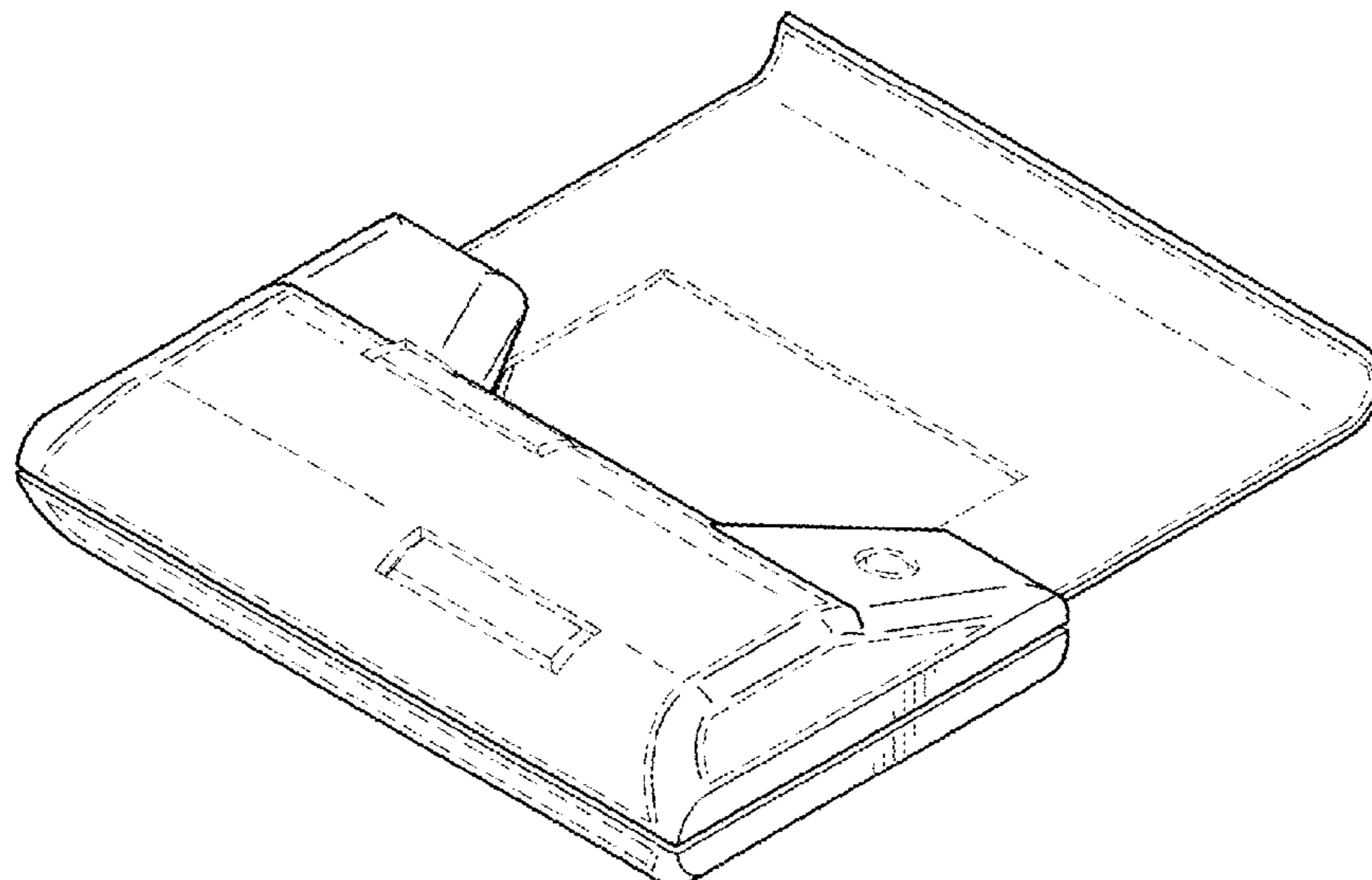
FIG. 1 is a perspective view of two banding clips secured in position on the frame components of a glazing unit with a band extending between the two banding clips; FIG. 2 is a perspective view of the banding clip in accordance with the new design; FIG. 3 is a right-side view thereof; FIG. 4 is a left-side view thereof; FIG. 5 is a rear view thereof; FIG. 6 is a front view thereof; FIG. 7 is a top plan view thereof; and, FIG. 8 is a bottom view thereof. The broken lines in FIG. 1 depict a glazing unit as environment of the window banding clip and form no part of the claimed design. All other broken lines in the figures depict portions of the window banding clip that form no part of the claimed design.

1 Claim, 4 Drawing Sheets

(56) **References Cited**

U.S. PATENT DOCUMENTS

4,500,240 A * 2/1985 Moran F16B 41/002
411/103
D286,976 S * 12/1986 Steck D8/394
D315,864 S * 4/1991 Embree D8/373
D371,006 S * 6/1996 Walker D6/323
D391,150 S * 2/1998 Anderson D8/394
D457,427 S * 5/2002 Diaz D7/629
D472,456 S * 4/2003 Snyder D8/353
D474,679 S * 5/2003 Malin D8/394
D481,932 S * 11/2003 Bess D25/141
D596,482 S * 7/2009 Marinucci D8/394
D619,451 S * 7/2010 Carlesso D8/395
D639,707 S * 6/2011 Caskey D11/201
D641,153 S * 7/2011 van den Hurk D3/215
D675,907 S * 2/2013 Yoo D8/394
D680,903 S * 4/2013 Chan D11/218



(56)

References Cited

U.S. PATENT DOCUMENTS

D939,947 S * 1/2022 Gunnarsson D8/394
D940,547 S * 1/2022 Schuknecht D8/394

OTHER PUBLICATIONS

Canadian Application No. 196731, Examination Report, dated Nov.
4, 2021, 1 page.

* cited by examiner

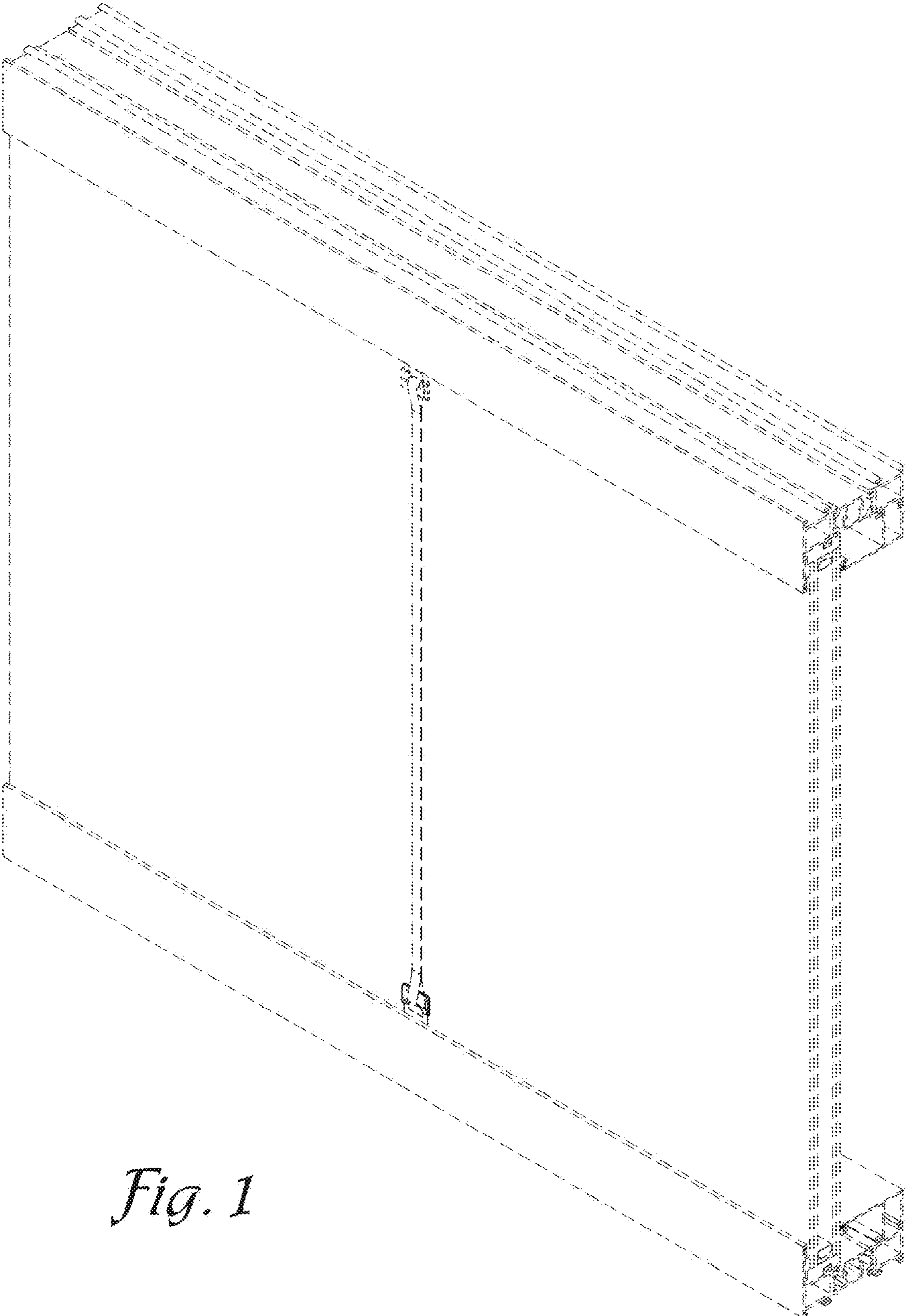


Fig. 1

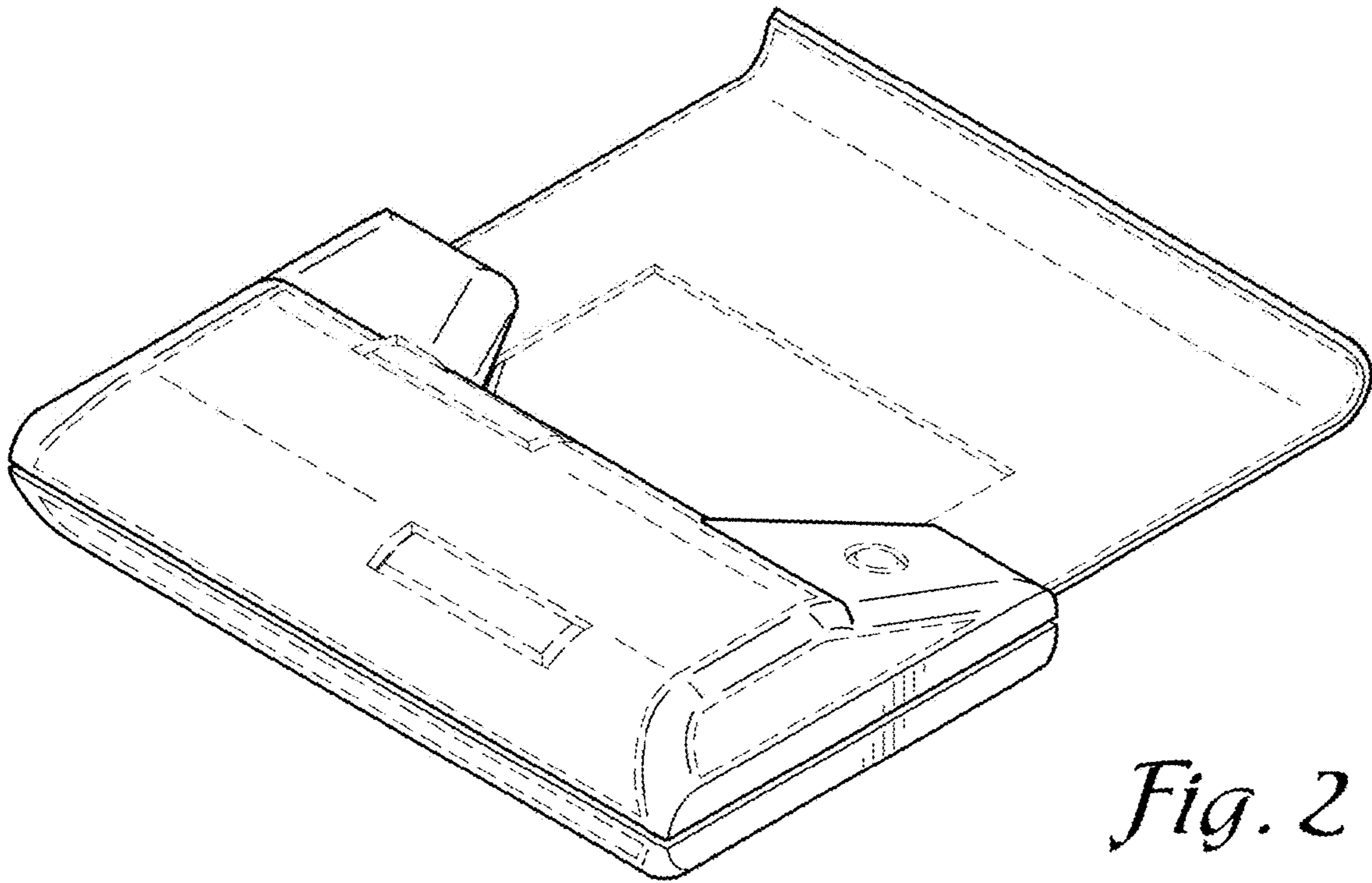


Fig. 2

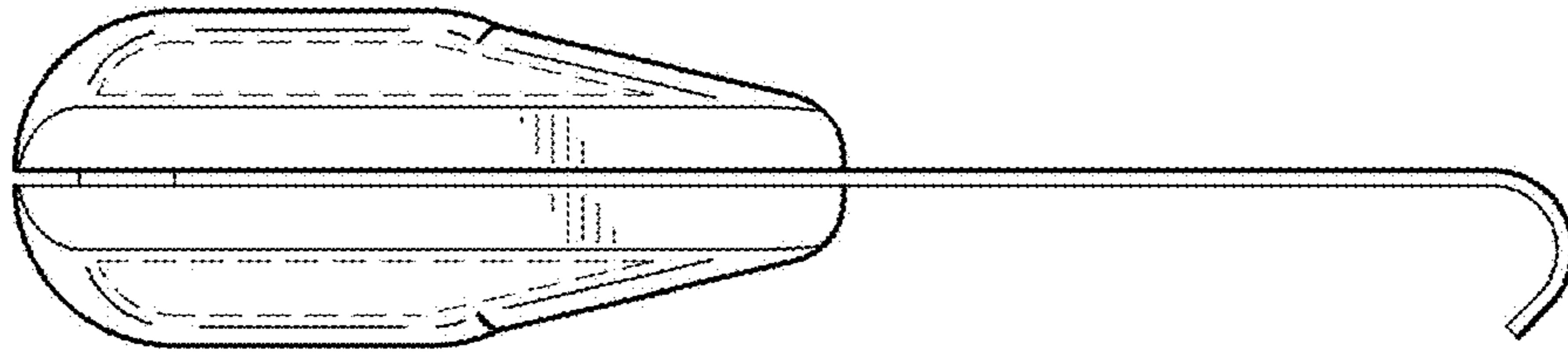


Fig. 3

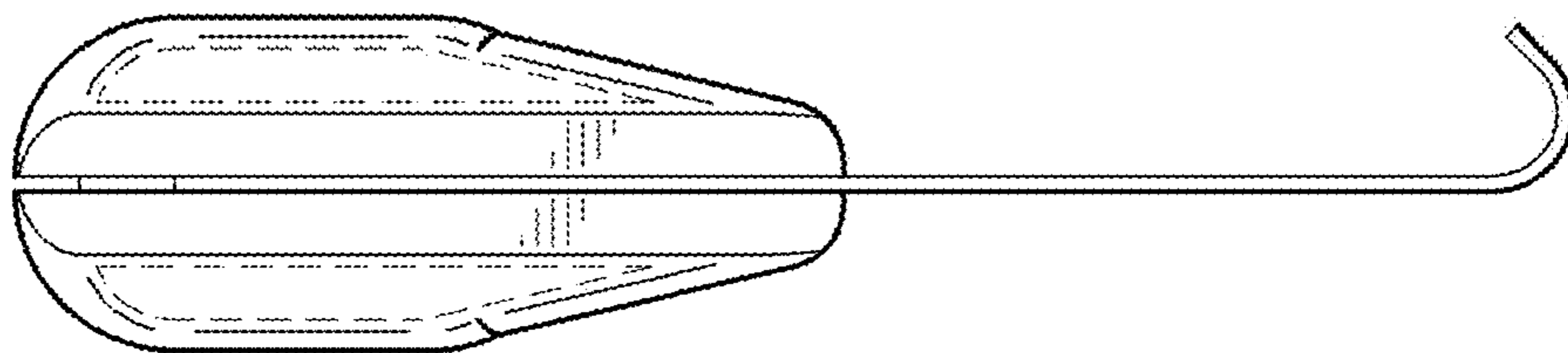


Fig. 4

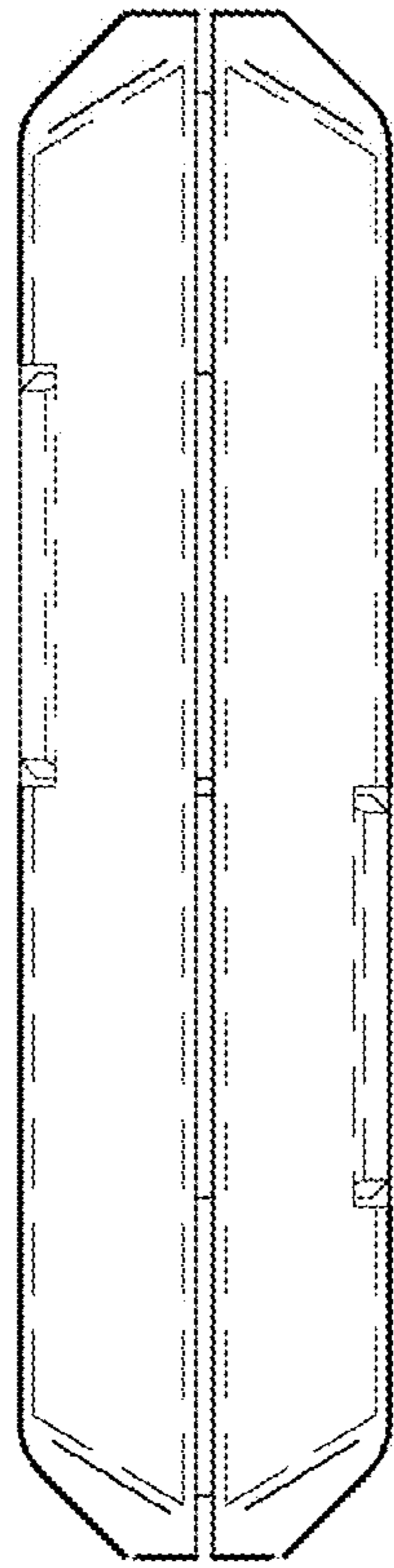


Fig. 5

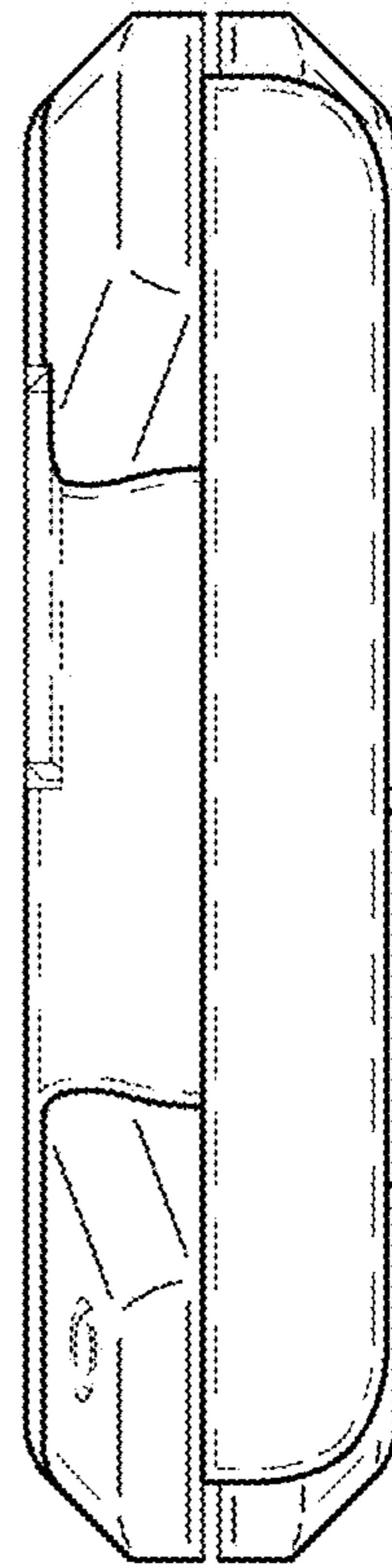


Fig. 6

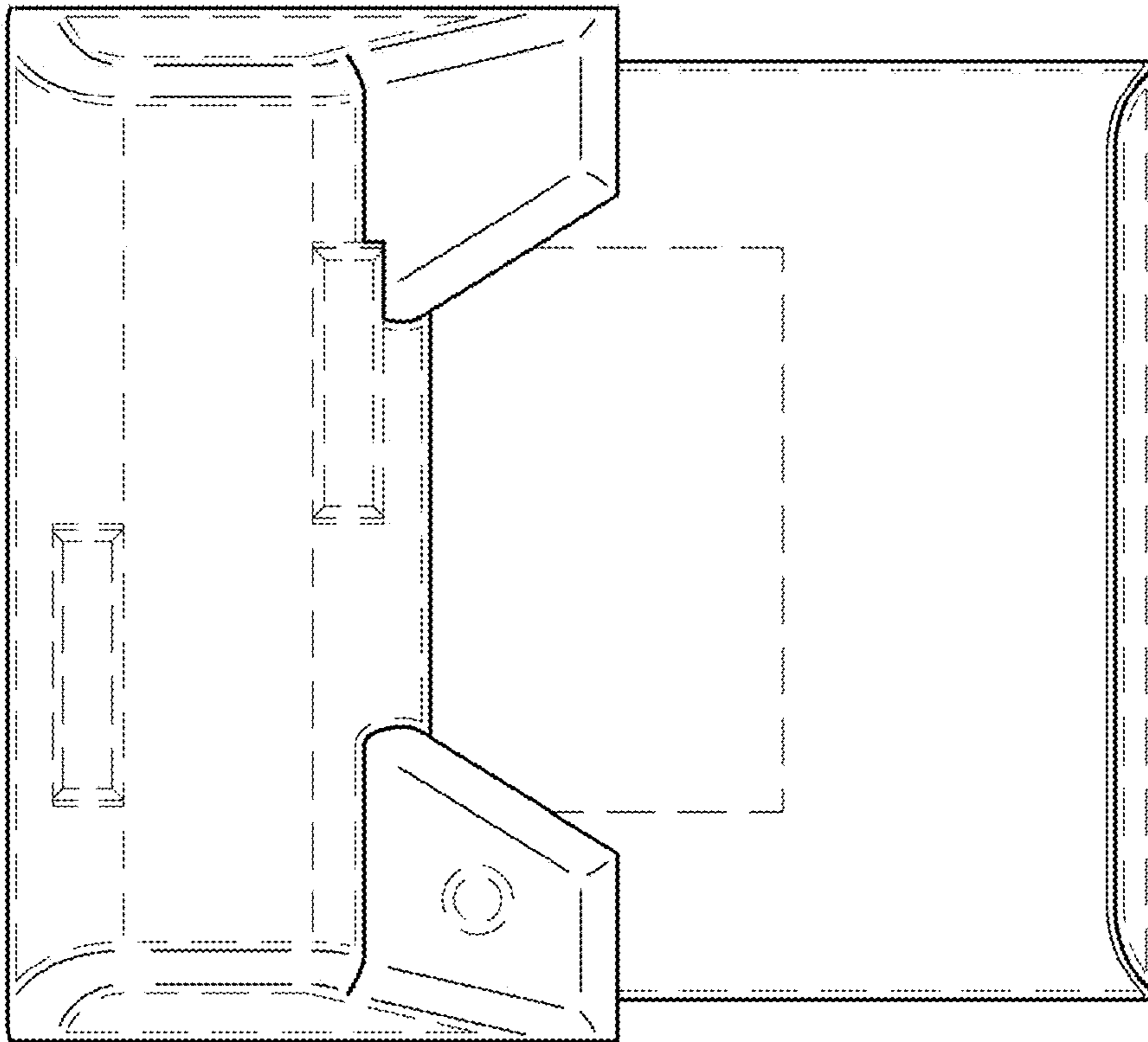


Fig. 7

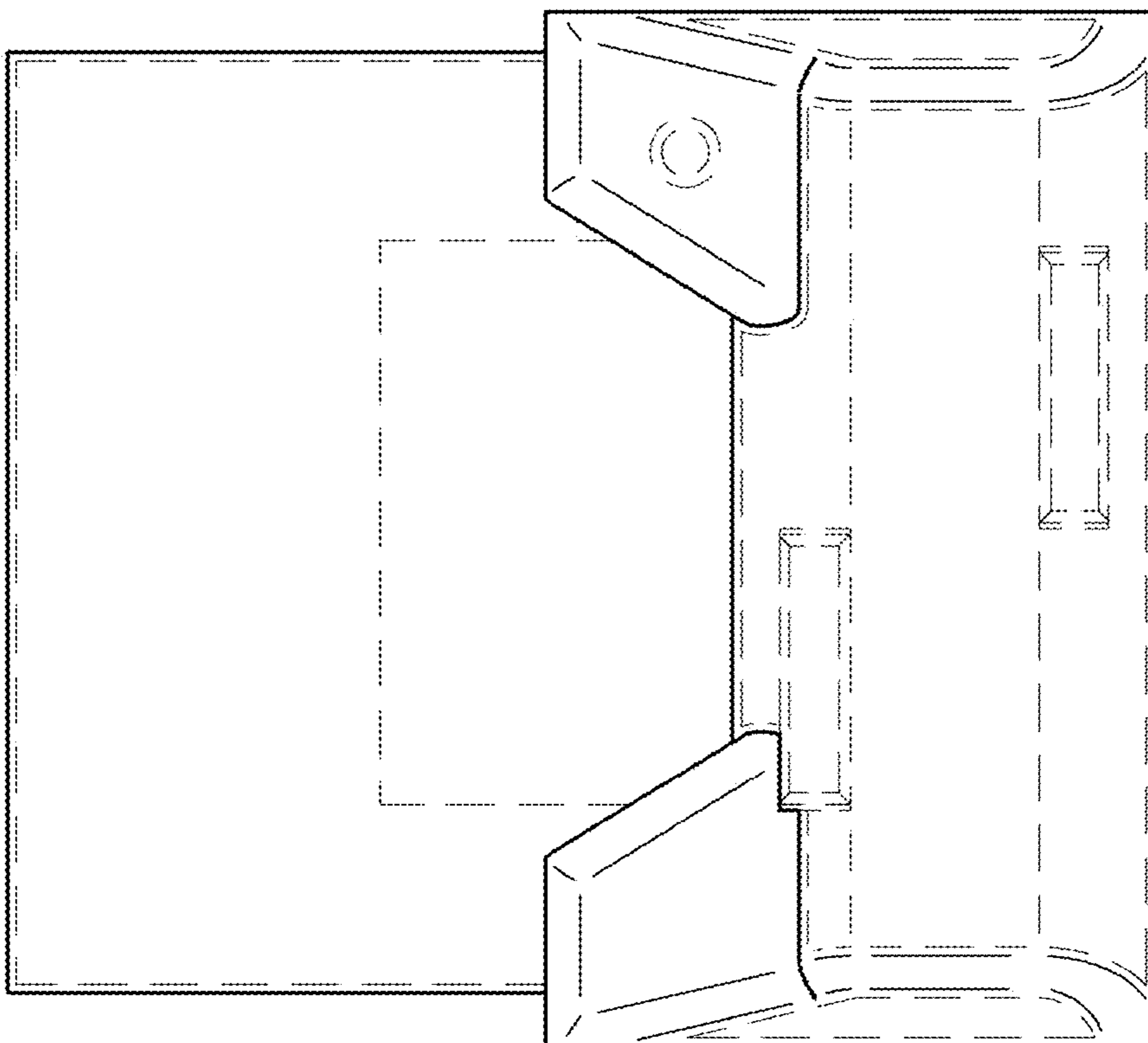


Fig. 8