



US00D947660S

(12) **United States Design Patent** (10) **Patent No.:** **US D947,660 S**
Wang (45) **Date of Patent:** **** Apr. 5, 2022**

(54) **EXPANSION ANCHOR BOLT**
(71) Applicants: **Masterpiece Hardware Industrial Co., Ltd.**, Lukang Township, Changhua County 505 (TW); **I-Fang Wang**, Lukang Township, Changhua County 505 (TW)
(72) Inventor: **I-Fang Wang**, Lukang Township (TW)
(73) Assignees: **Masterpiece Hardware Industrial Co., Ltd.**, Lukang Township (TW); **I-Fang Wang**, Lukang Township (TW)
(**) Term: **15 Years**
(21) Appl. No.: **29/700,049**
(22) Filed: **Jul. 31, 2019**
(51) **LOC (13) Cl.** **08-08**
(52) **U.S. Cl.**
USPC **D8/385**
(58) **Field of Classification Search**
USPC D8/358, 373, 385, 386-388, 393, 402, D8/349, 382, 396-397; D11/79, 86, 222, D11/226; D17/20; D24/171
CPC F16B 12/22; F16B 12/24; F16B 12/125; F16B 37/14; F16B 12/20; F16B 12/26; F16B 13/045; F16B 19/109; F16B 2001/0064; F16B 31/021; F16B 35/00; F16B 37/085; F16B 37/145; E04B 1/4178; E04B 1/7616
See application file for complete search history.

D759,472 S * 6/2016 Nehl D8/385
D771,482 S * 11/2016 Nehl D8/385
D792,549 S * 7/2017 McKillips D22/108
D808,786 S * 1/2018 Nehl D8/385
D843,825 S * 3/2019 Wang D8/385
D889,949 S * 7/2020 Dill D8/385
D889,950 S * 7/2020 Dill D8/385
D899,238 S * 10/2020 Scott D8/387
D921,479 S * 6/2021 Smith D8/387
D926,025 S * 7/2021 Li D8/387

OTHER PUBLICATIONS

Plastic Expansion Pipe Column Anchor, Date Visited: Aug. 10, 2021, Amazon, Date Available: Jul. 13, 2020, <https://www.amazon.co.uk/Plastic-Expansion-Column-Self-Tapping-Fastener/dp/B08CTSYM8R/> (Year: 2020).*

* cited by examiner

Primary Examiner — Susan Bennett Hattan
Assistant Examiner — Elizabeth S Ko
(74) *Attorney, Agent, or Firm* — Alan D. Kamrath; Karin L. Williams; Mayer & Williams PC

(57) **CLAIM**

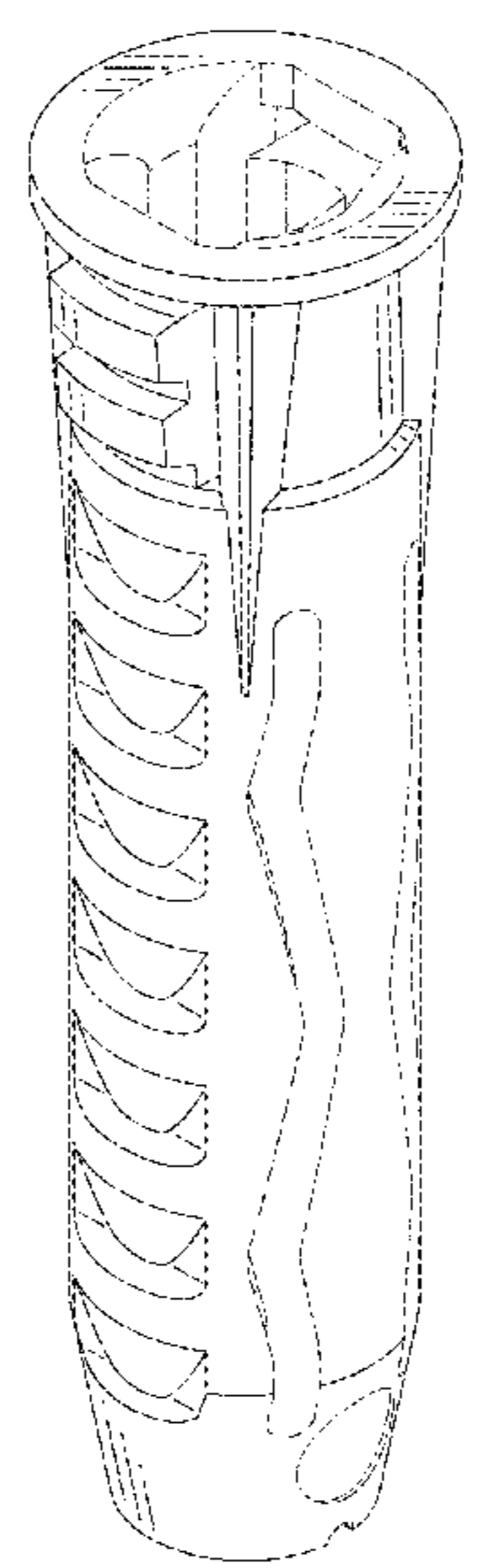
The ornamental design for an expansion anchor bolt, as shown and described.

DESCRIPTION

FIG. 1 is a perspective view of an expansion anchor bolt showing my design;
FIG. 2 is a front elevational view thereof;
FIG. 3 is a rear elevational view thereof;
FIG. 4 is a left side elevational view thereof;
FIG. 5 is a right side elevational view thereof;
FIG. 6 is a top plan view thereof; and,
FIG. 7 is a bottom plan view thereof.
The broken lines shown in the drawings are for illustrative purposes only and form no part of the claimed design.

1 Claim, 7 Drawing Sheets

(56) **References Cited**
U.S. PATENT DOCUMENTS
D371,294 S * 7/1996 Anquetin D8/382
D536,956 S * 2/2007 Huang D8/385
D577,285 S * 9/2008 Gaudron D8/385
D660,139 S * 5/2012 Gaudron D8/385
D666,900 S * 9/2012 Ogino D8/385



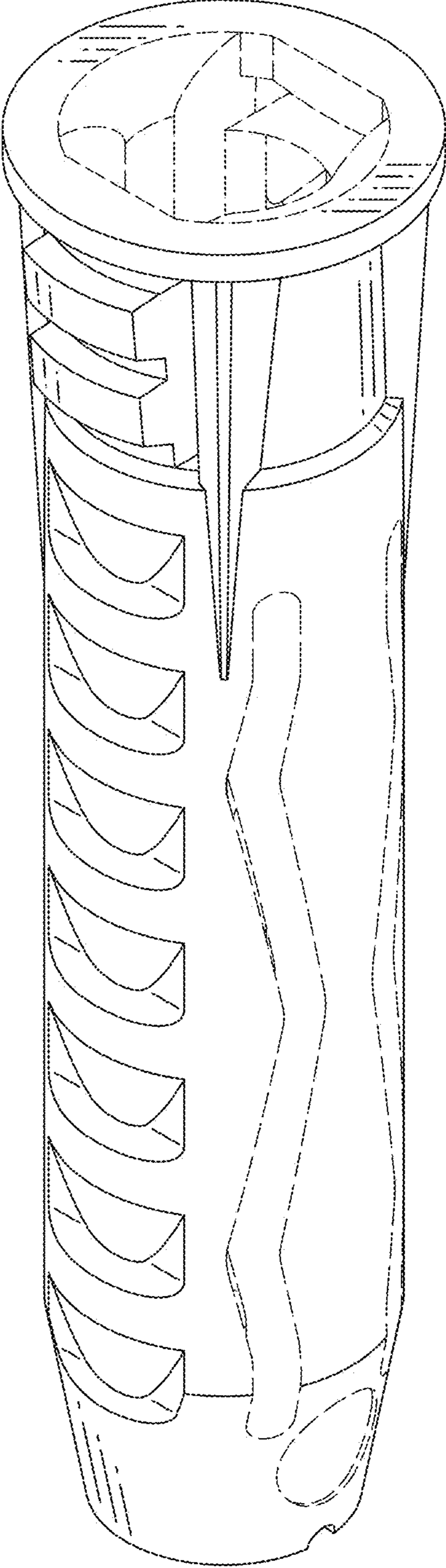


FIG. 1

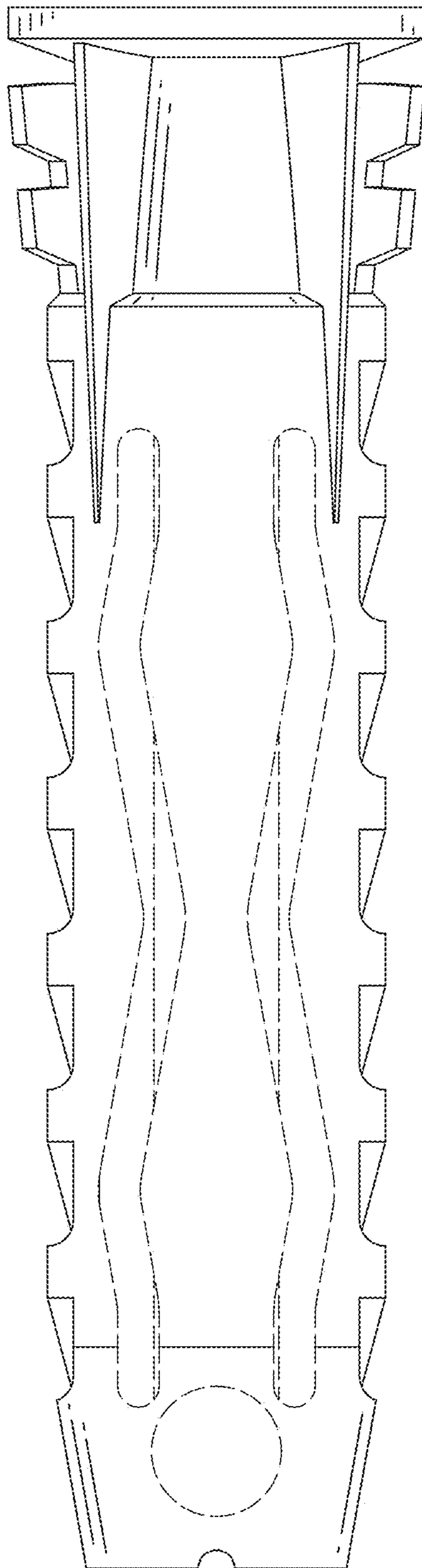


FIG. 2

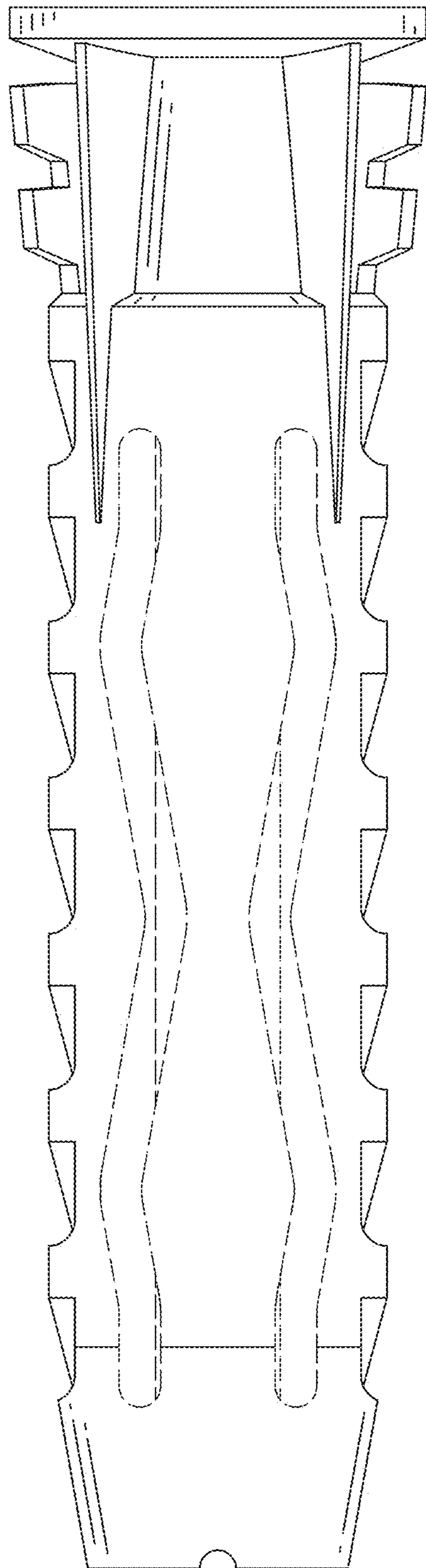


FIG. 3

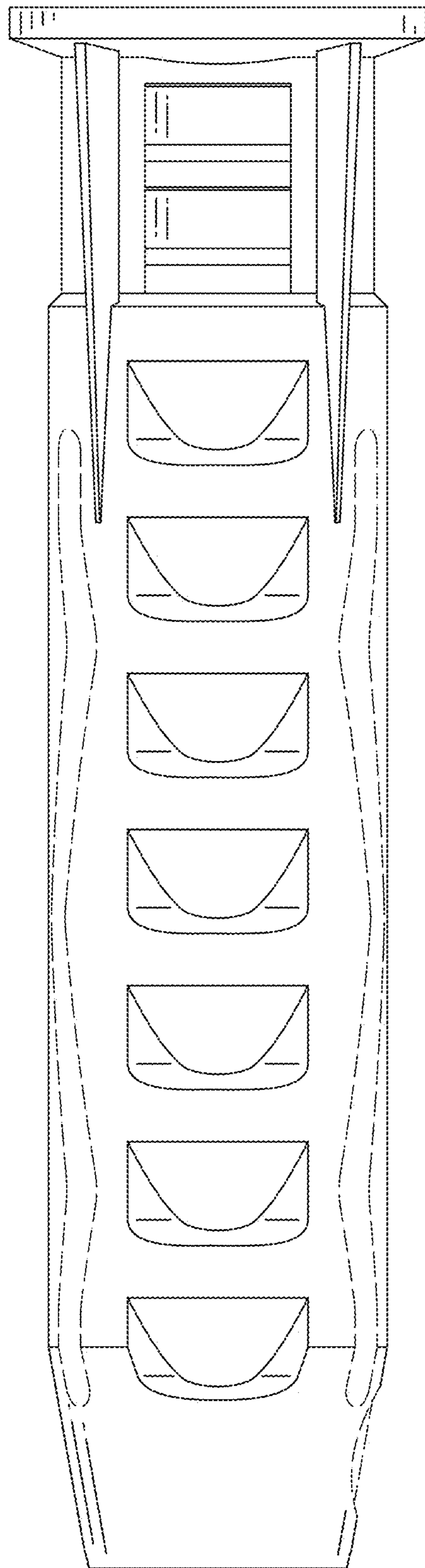


FIG. 4

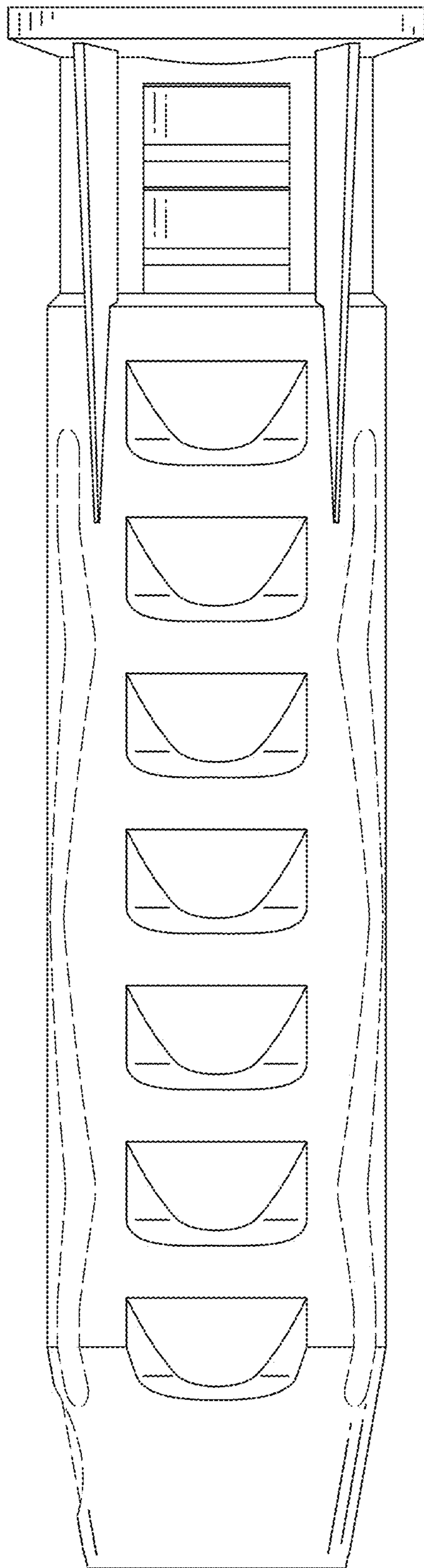


FIG. 5

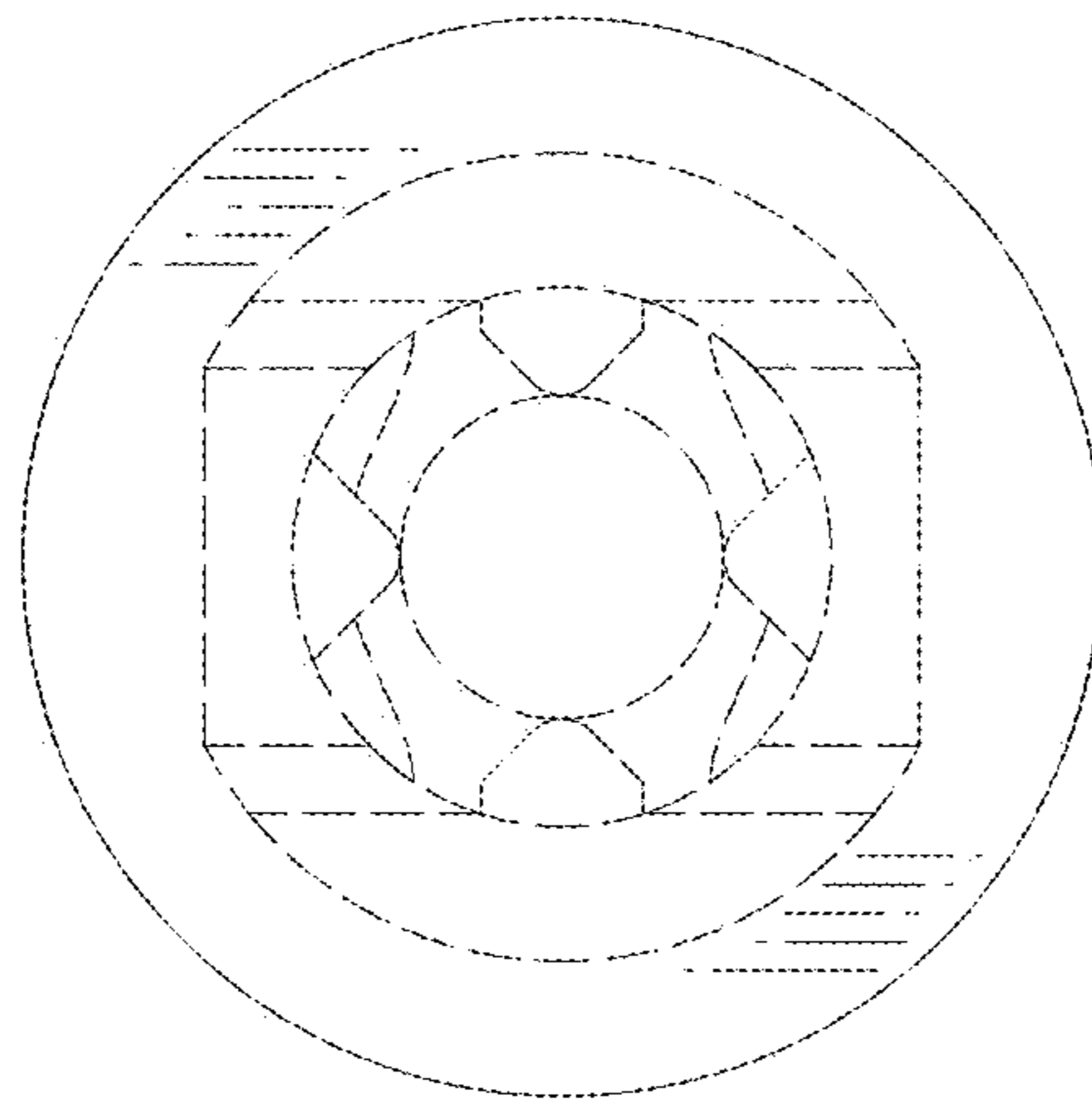


FIG. 6

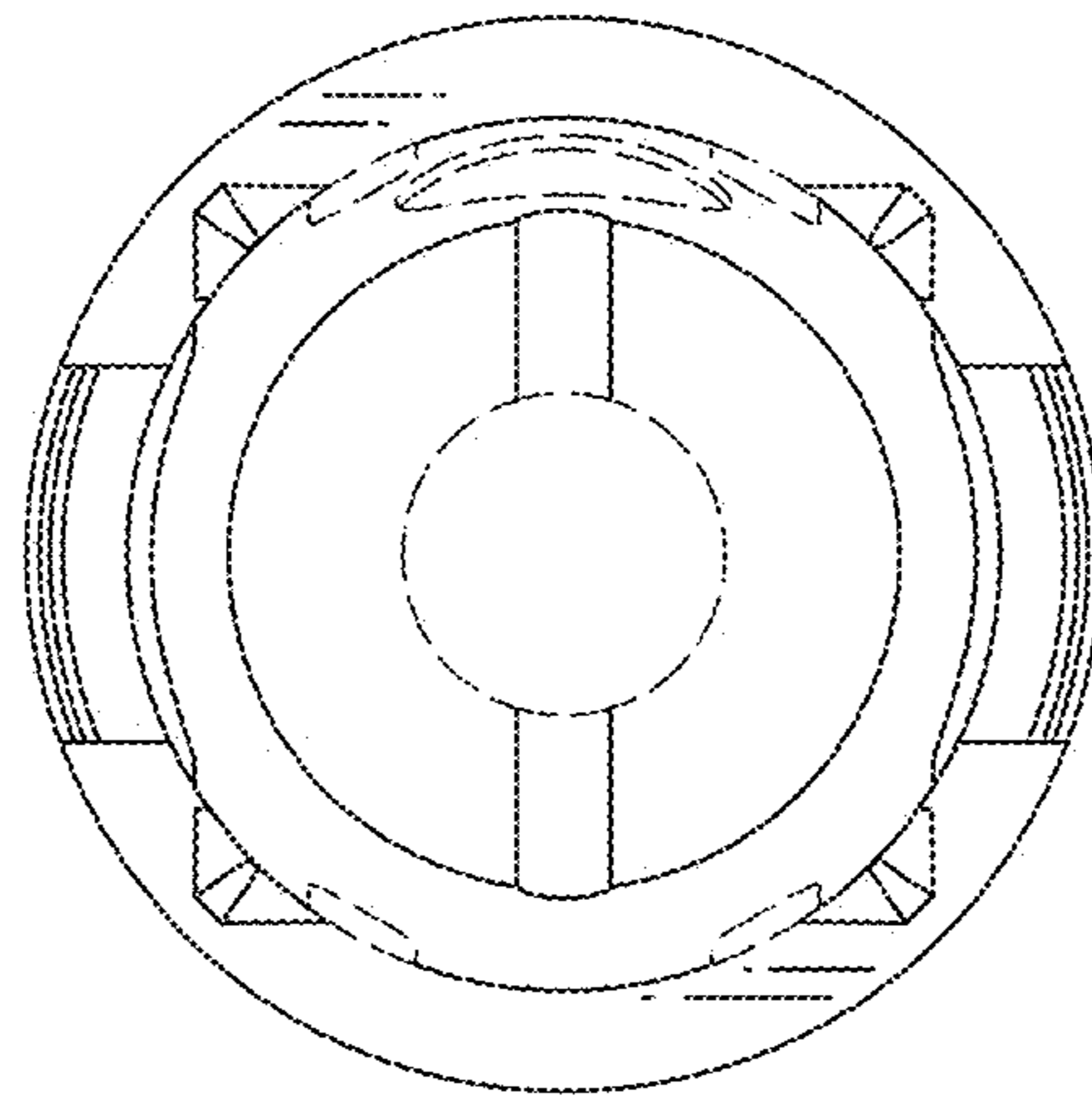


FIG. 7