

US00D947658S

(12) **United States Design Patent**  
**Wang**

(10) **Patent No.:** **US D947,658 S**

(45) **Date of Patent:** **\*\* Apr. 5, 2022**

(54) **CURVED BRACKET WALL SHELF**

D896,623 S \* 9/2020 Ercole Auffray ..... D8/381  
D897,131 S \* 9/2020 Wang ..... D6/571  
D916,522 S \* 4/2021 Hong ..... D6/574

(71) Applicant: **SHENZHEN LIYIJIUJIU  
NETWORK TECHNOLOGY CO.,  
LTD.**, Shenzhen (CN)

**OTHER PUBLICATIONS**

(72) Inventor: **Xuzhong Wang**, Dongguan (CN)

“A29 Set of 2 Shelf Brackets”, Mar. 20, 2017, Amazon.com, site visited Jan. 15, 2022: <https://www.amazon.com/Classic-Brackets-Adjustable-Installation-Hardware/dp/B06XRMNPS2> (Year: 2017).\*  
“18 Shelf Brackets to Prop Up Your Books (and Beyond)”, Oct. 24, 2017, ArchitecturalDigest.com, site visited Jan. 15, 2022: <https://www.architecturaldigest.com/story/shelf-brackets-to-prop-up-your-books> (Year: 2017).\*  
“Ophanie Wall Shelves for Wall Storage”, Apr. 1, 2020, Amazon.com, site visited Jan. 15, 2022: <https://www.amazon.com/dp/B086MQVM2C> (Year: 2020).\*

(73) Assignee: **SHENZHEN LIYIJIUJIU  
NETWORK TECHNOLOGY CO.,  
LTD.**, Shenzhen (CN)

(\*\*) Term: **15 Years**

(21) Appl. No.: **29/717,714**

\* cited by examiner

(22) Filed: **Dec. 18, 2019**

*Primary Examiner* — Jack Reickel  
*Assistant Examiner* — Michael A Kervin

(51) **LOC (13) Cl.** ..... **08-05**

(52) **U.S. Cl.**  
USPC ..... **D8/381**

(58) **Field of Classification Search**  
USPC ..... D6/555, 567, 574; D8/363, 380–381  
CPC ..... A47B 96/06; A47B 96/061; A47B 96/07  
See application file for complete search history.

(57) **CLAIM**

The ornamental design for a curved bracket wall shelf, as shown and described.

(56) **References Cited**

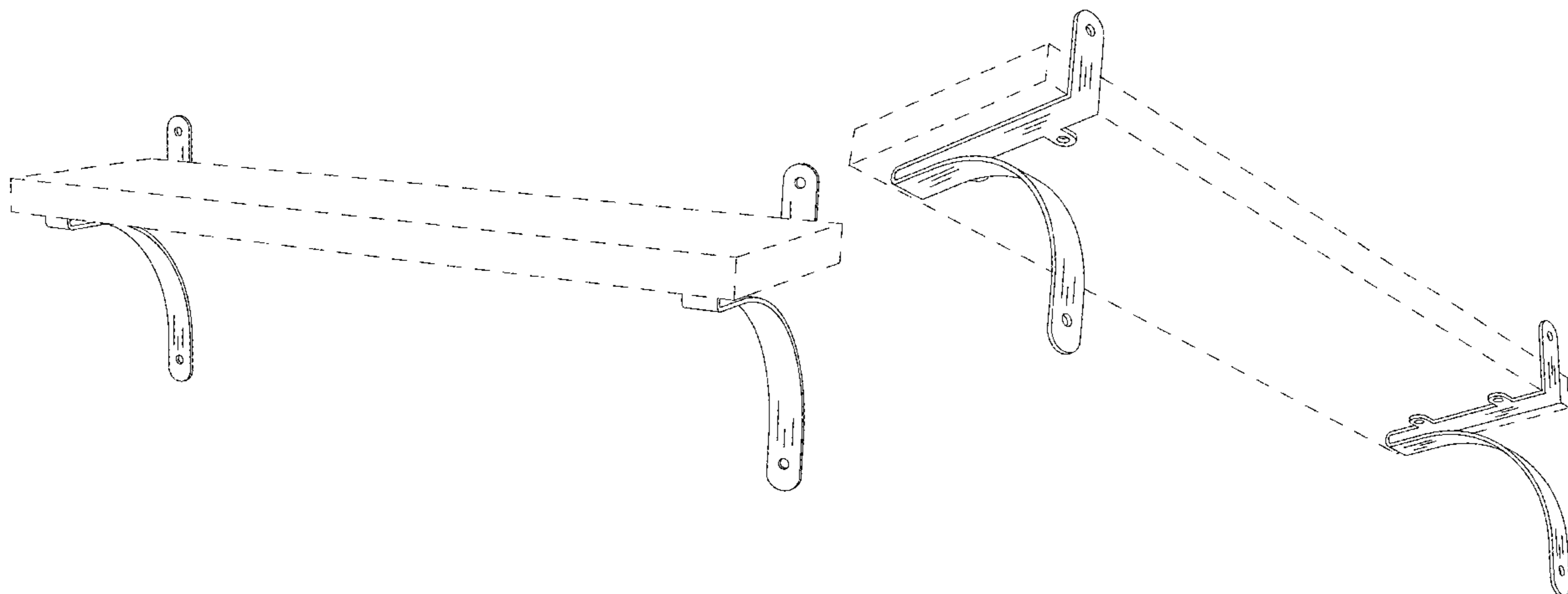
**DESCRIPTION**

**U.S. PATENT DOCUMENTS**

D34,083 S \* 2/1901 Shrader ..... D8/363  
1,189,988 A \* 7/1916 Moody ..... A47B 96/061  
248/247  
5,755,416 A \* 5/1998 Leek ..... A47B 96/061  
248/247  
D411,951 S \* 7/1999 Baranski ..... D8/363  
D568,648 S \* 5/2008 Roussel ..... D6/705.1  
D585,681 S \* 2/2009 Liss ..... D6/705  
D585,682 S \* 2/2009 Liss ..... D6/705.4  
D620,737 S \* 8/2010 Nakaoka ..... D6/574  
D676,037 S \* 2/2013 Schupsky ..... D14/253  
D804,219 S \* 12/2017 Hucks ..... D6/553  
D847,535 S \* 5/2019 Goodman ..... D6/567  
D878,102 S \* 3/2020 Carr ..... D6/574

FIG. 1 is a perspective view of a curved bracket wall shelf showing my new design;  
FIG. 2 is another perspective thereof;  
FIG. 3 is a front elevational view thereof;  
FIG. 4 is a rear elevational view thereof;  
FIG. 5 is a top plan view thereof;  
FIG. 6 is a bottom plan view thereof;  
FIG. 7 is a left side elevational view thereof; and,  
FIG. 8 is a right side elevational view thereof.  
The broken lines in the drawings depict portions of the curved bracket wall shelf that form no part of the claimed design.

**1 Claim, 8 Drawing Sheets**



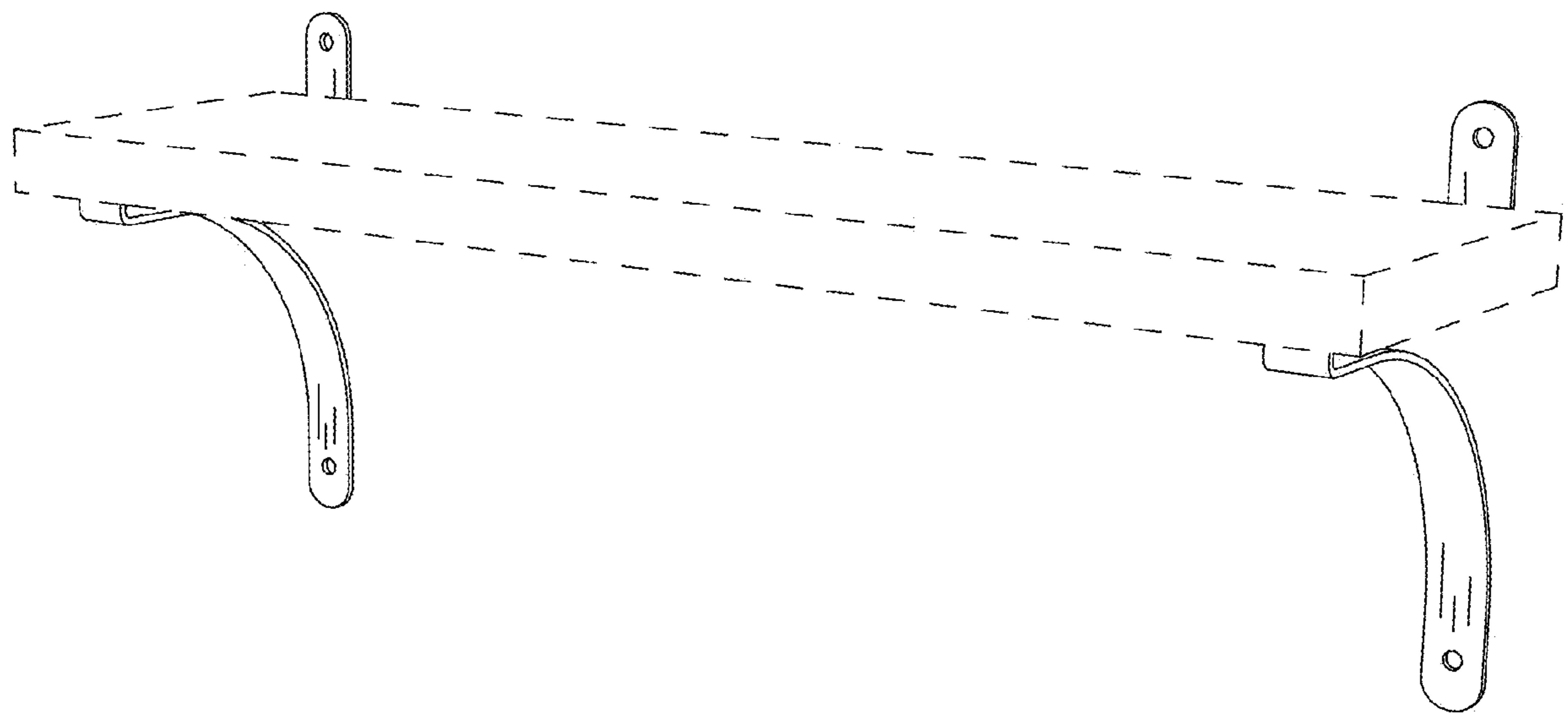


Fig. 1

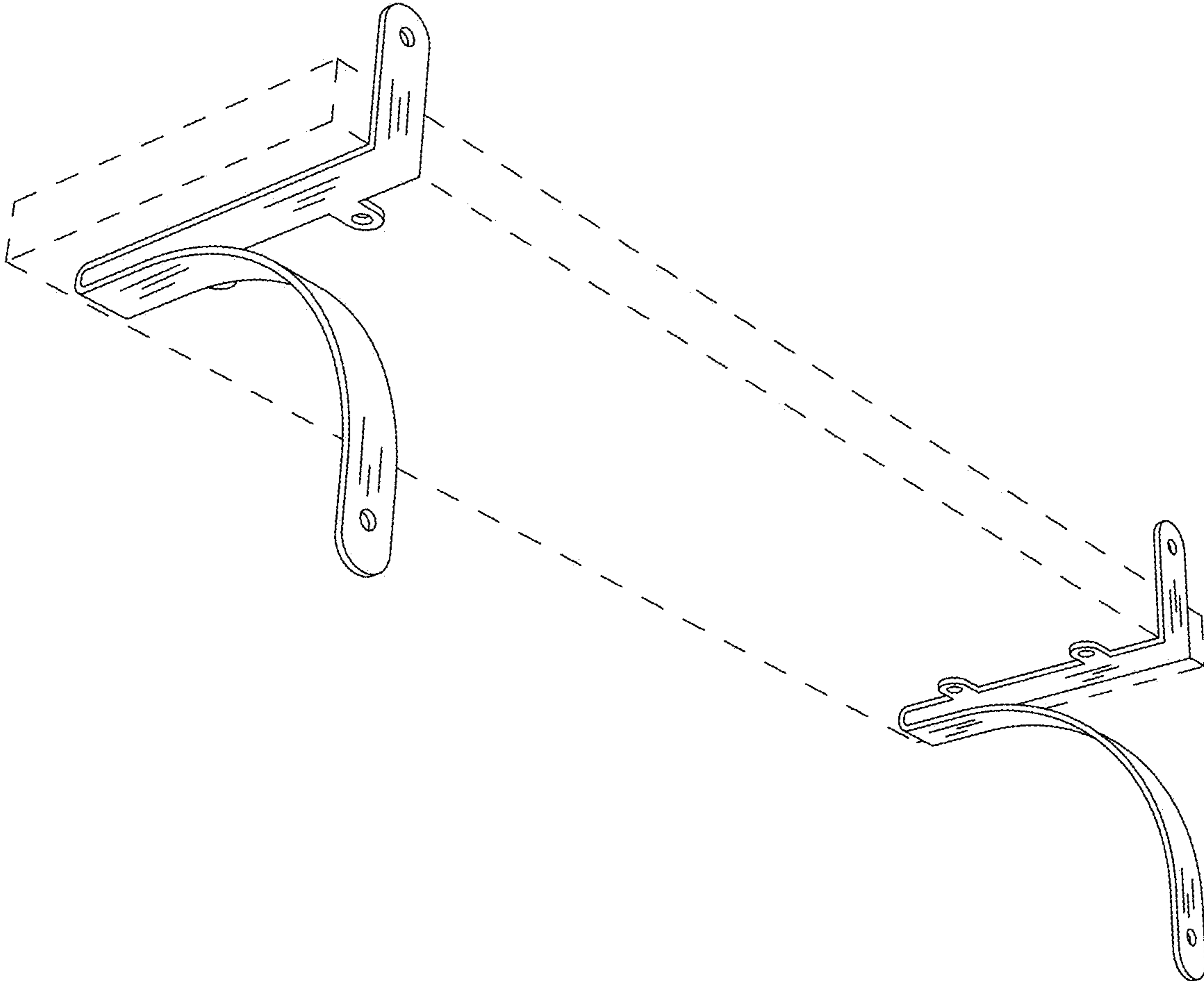


Fig. 2

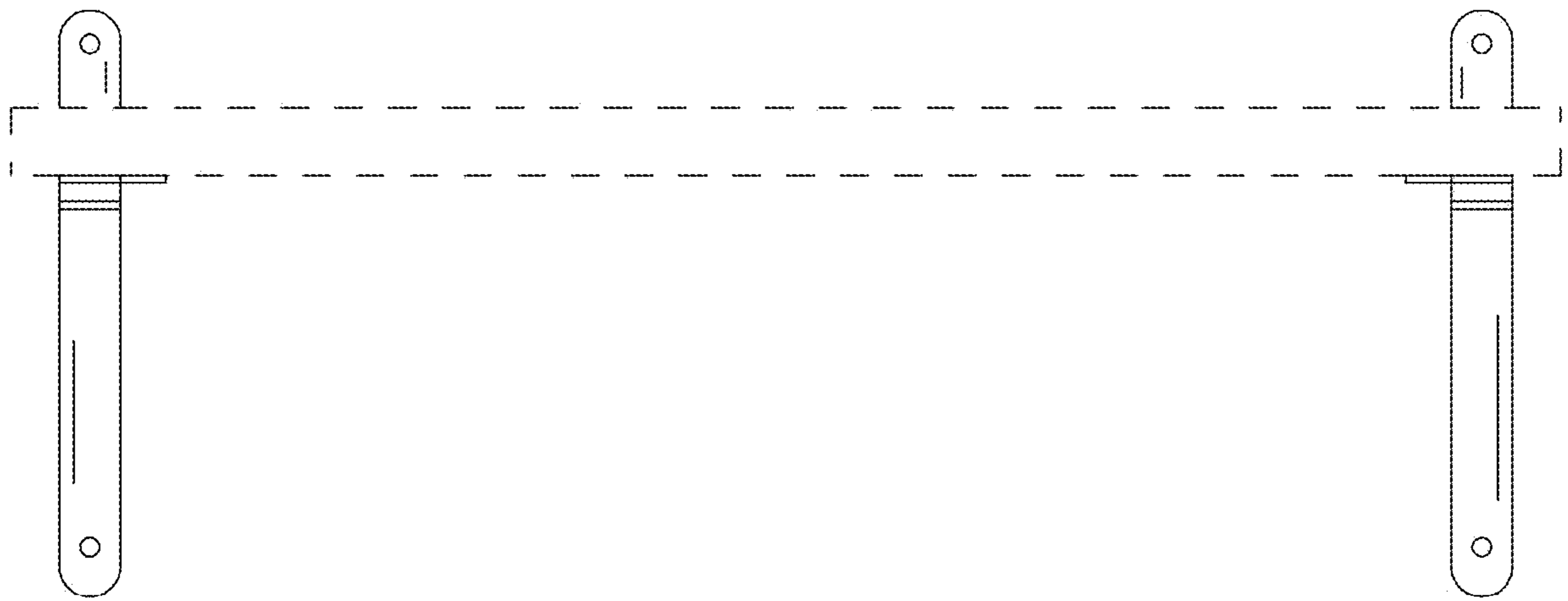


Fig. 3



Fig. 4



Fig. 5



Fig. 6

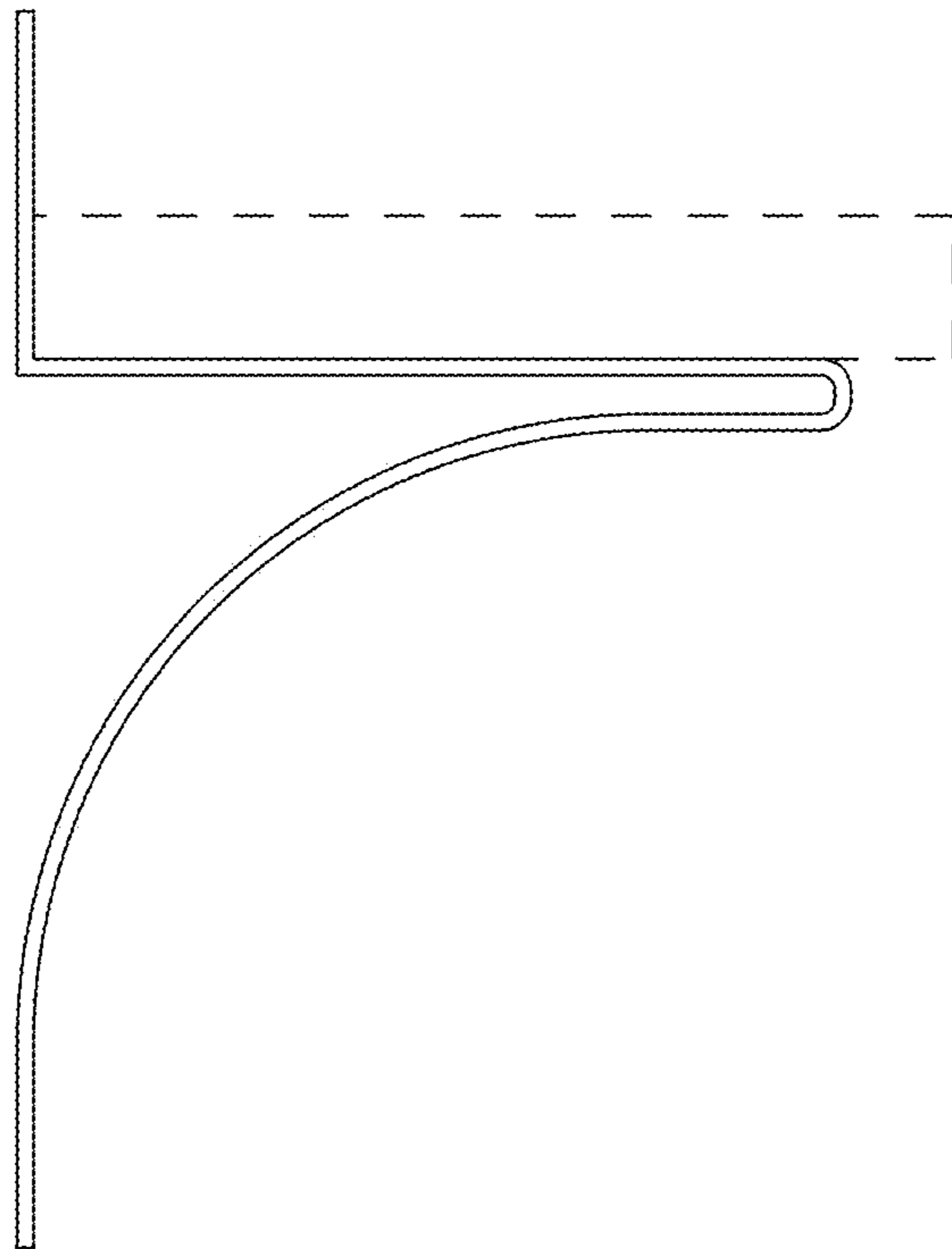


Fig. 7



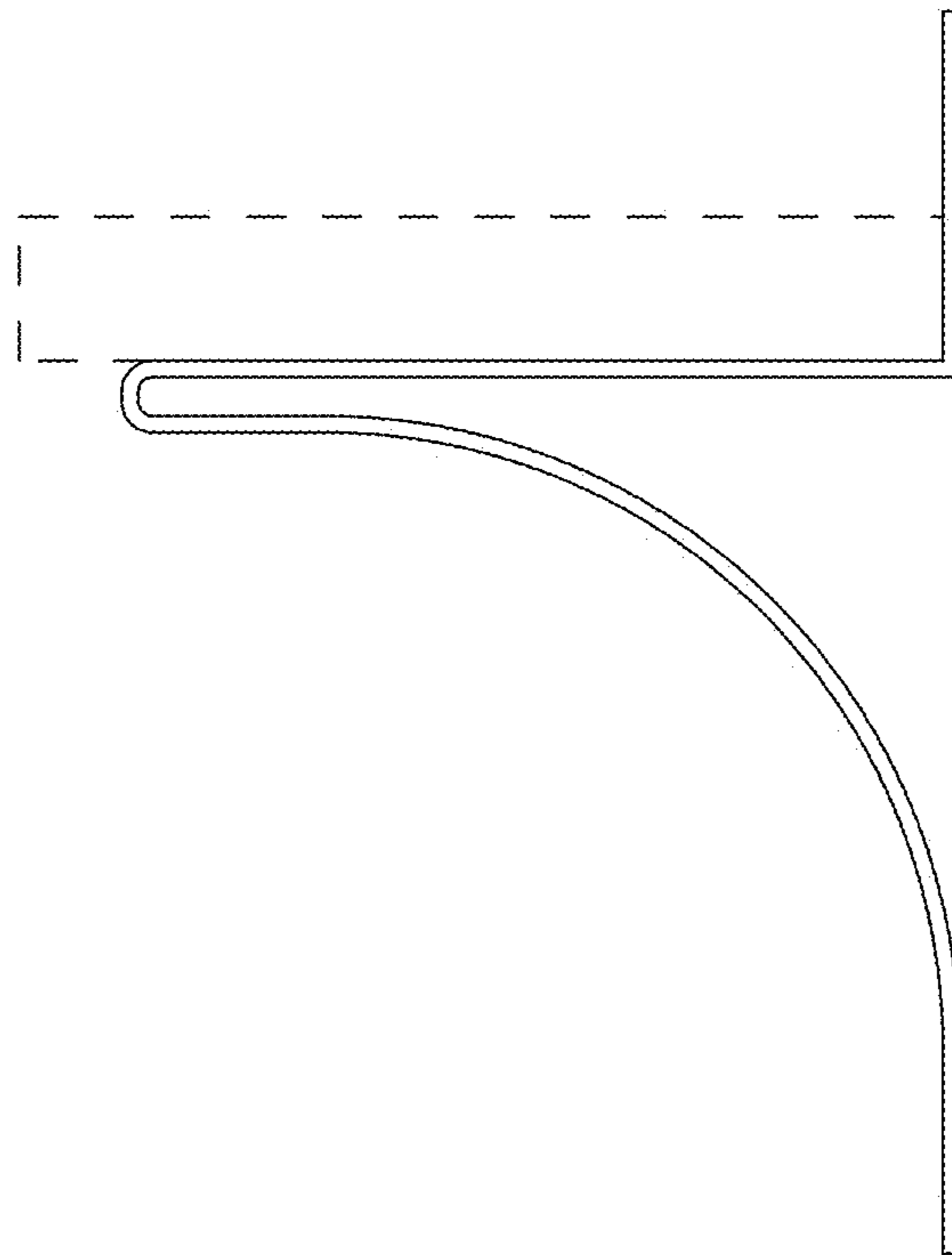


Fig. 8