



US00D947655S

(12) **United States Design Patent** (10) **Patent No.:** **US D947,655 S**
Stednitz (45) **Date of Patent:** **** Apr. 5, 2022**

(54) **HOSE RACK**
(71) Applicant: **Strahman Valves, Inc.**, Bethlehem, PA (US)
(72) Inventor: **Samuel Gregory Stednitz**, Saint Clair, PA (US)
(73) Assignee: **Strahman Valves, Inc.**, Bethlehem, PA (US)
(**) Term: **15 Years**
(21) Appl. No.: **29/760,607**
(22) Filed: **Dec. 2, 2020**
(51) **LOC (13) Cl.** **09-06**
(52) **U.S. Cl.**
USPC **D8/356**
(58) **Field of Classification Search**
USPC D8/349, 354, 367, 356; D6/323, 566;
D3/328; 248/218.3, 303, 466
CPC A47G 25/1471; A47H 13/02
See application file for complete search history.

D483,655 S * 12/2003 Dretzka D8/367
D486,379 S * 2/2004 Olson D8/370
D555,462 S * 11/2007 Moffitt D8/370
D565,882 S * 4/2008 Goodman D6/514
D605,498 S * 12/2009 Carl D8/367
D613,151 S * 4/2010 Goodman D8/367
D613,586 S * 4/2010 Goodman D8/367
7,748,673 B2 * 7/2010 Barrese A47H 13/02
248/215
D632,136 S * 2/2011 Chen D7/600.1
D632,529 S * 2/2011 Chen D7/600.1
D637,893 S * 5/2011 Yon D8/370
D646,960 S * 10/2011 Goodman D8/372
D679,095 S * 4/2013 Williams D3/328
D701,390 S * 3/2014 Brindise D6/317

(Continued)

Primary Examiner — Cynthia R Underwood
(74) *Attorney, Agent, or Firm* — Barley Snyder

(57) **CLAIM**

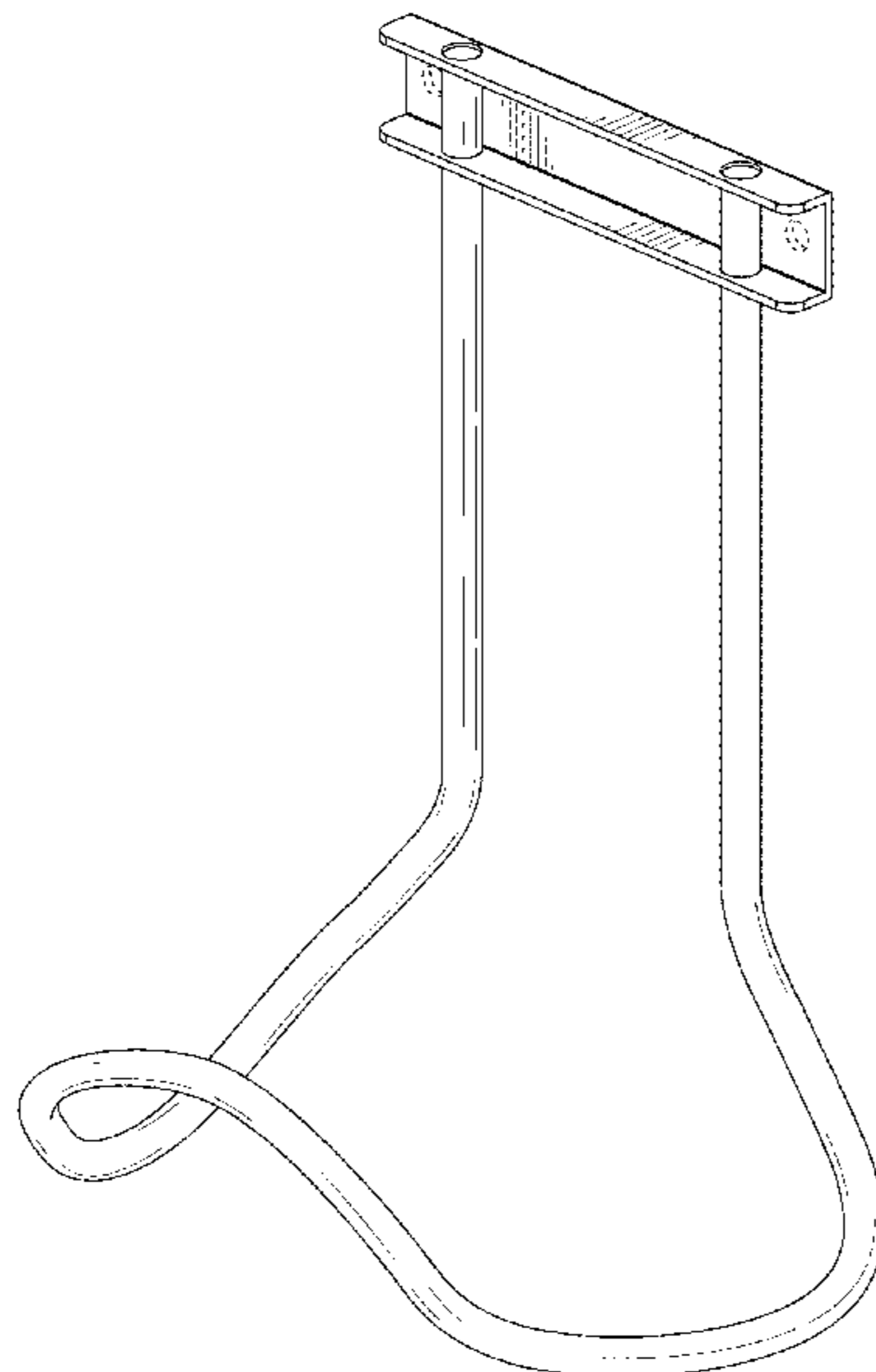
The ornamental design for a hose rack, as shown and described.

DESCRIPTION

FIG. 1 is a rear, top and left side perspective view of a hose rack;
FIG. 2 is a front elevation view thereof;
FIG. 3 is a rear elevation view thereof;
FIG. 4 is a right side elevation view thereof;
FIG. 5 is a left side elevation view thereof;
FIG. 6 is a top plan view thereof;
FIG. 7 is a bottom plan view thereof; and
FIG. 8 is a front, top and right perspective view of the hose rack; and,
FIG. 9 is a front, bottom and left perspective view of the hose rack.
The broken lines shown in the Figures are included to show unclaimed subject matter only and form no part of the claimed design.

1 Claim, 7 Drawing Sheets

(56) **References Cited**
U.S. PATENT DOCUMENTS
3,219,302 A * 11/1965 Smith A47G 1/20
248/218.3
D213,451 S * 3/1969 White D8/373
D242,409 S * 11/1976 Enkler D8/373
D255,646 S * 7/1980 Fischer D8/370
D281,221 S * 11/1985 Edmiston D8/356
5,018,694 A * 5/1991 Olson A47G 25/1471
248/340
D396,371 S * 7/1998 Oliver D6/552
D401,462 S * 11/1998 Paikos D6/566
D422,199 S * 4/2000 Snell D8/372
D423,269 S * 4/2000 Laga D6/566
D428,848 S * 8/2000 Wurst D12/223
D432,316 S * 10/2000 Duggan D6/317
D461,986 S * 8/2002 Talley D6/552



(56)

References Cited

U.S. PATENT DOCUMENTS

D703,381 S * 4/2014 Petruccelli D28/73
D715,627 S * 10/2014 Pan D8/371
9,095,219 B1 * 8/2015 McGowen A63G 9/12
D742,727 S * 11/2015 Martin D8/372
9,808,074 B2 * 11/2017 Kinsky A45F 5/021
D813,324 S * 3/2018 Batten D21/694
D814,211 S * 4/2018 Castellana D6/566
D816,354 S * 5/2018 Richardson D6/323
D878,186 S * 3/2020 Toyne D8/370
D913,778 S * 3/2021 Huang D8/372
D931,766 S * 9/2021 Robinson D12/162

* cited by examiner

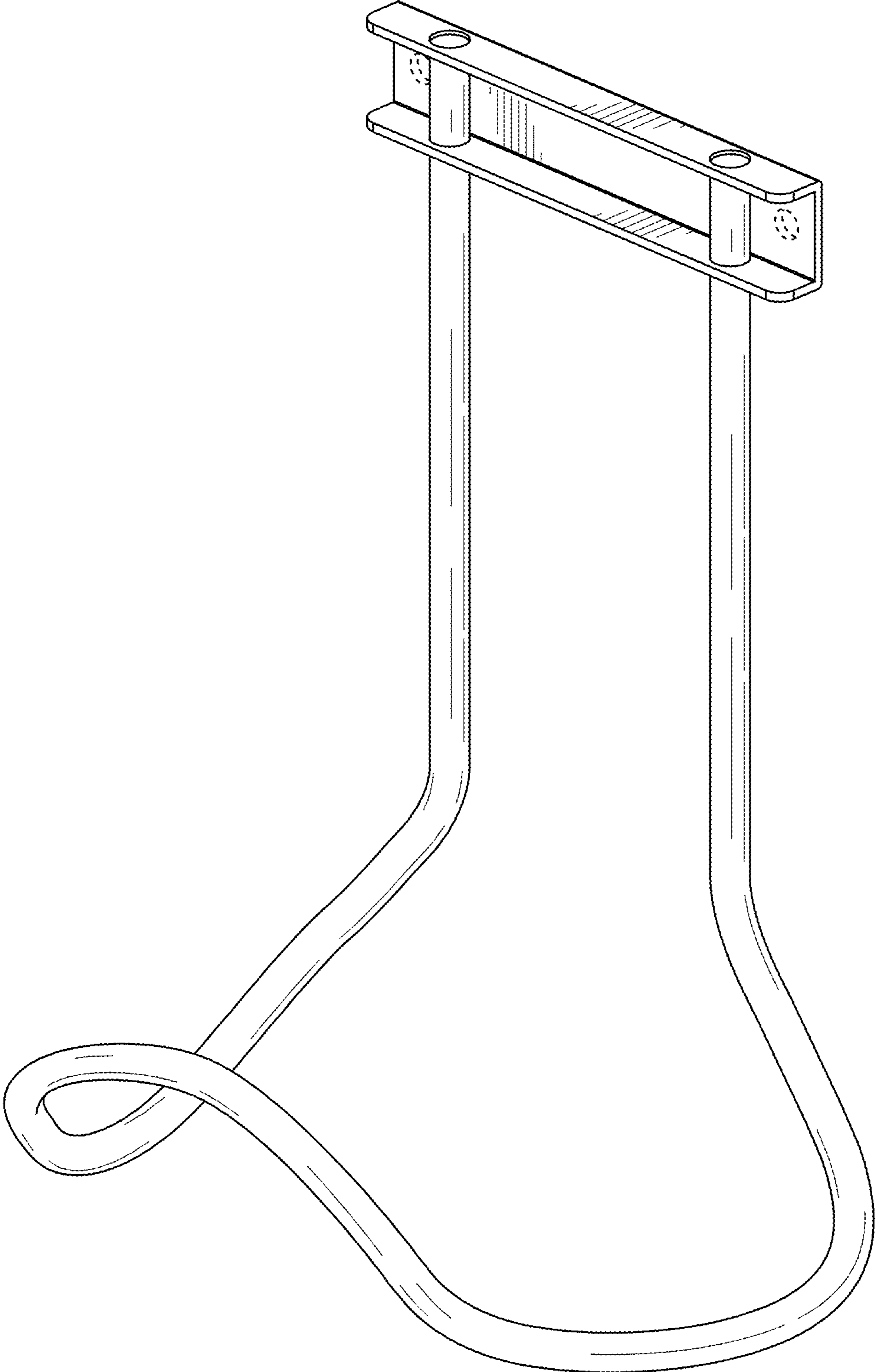


FIG. 1

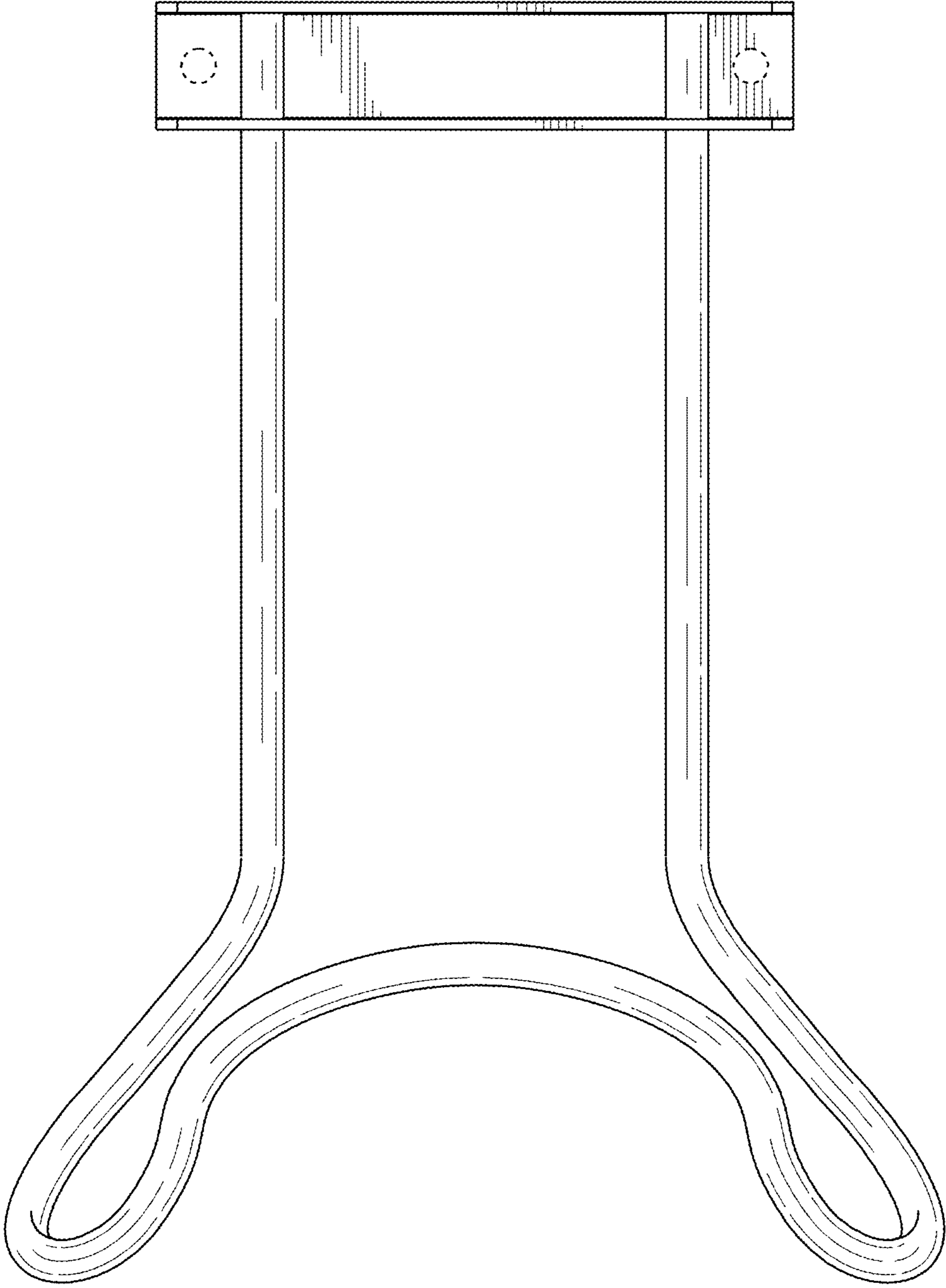


FIG. 2

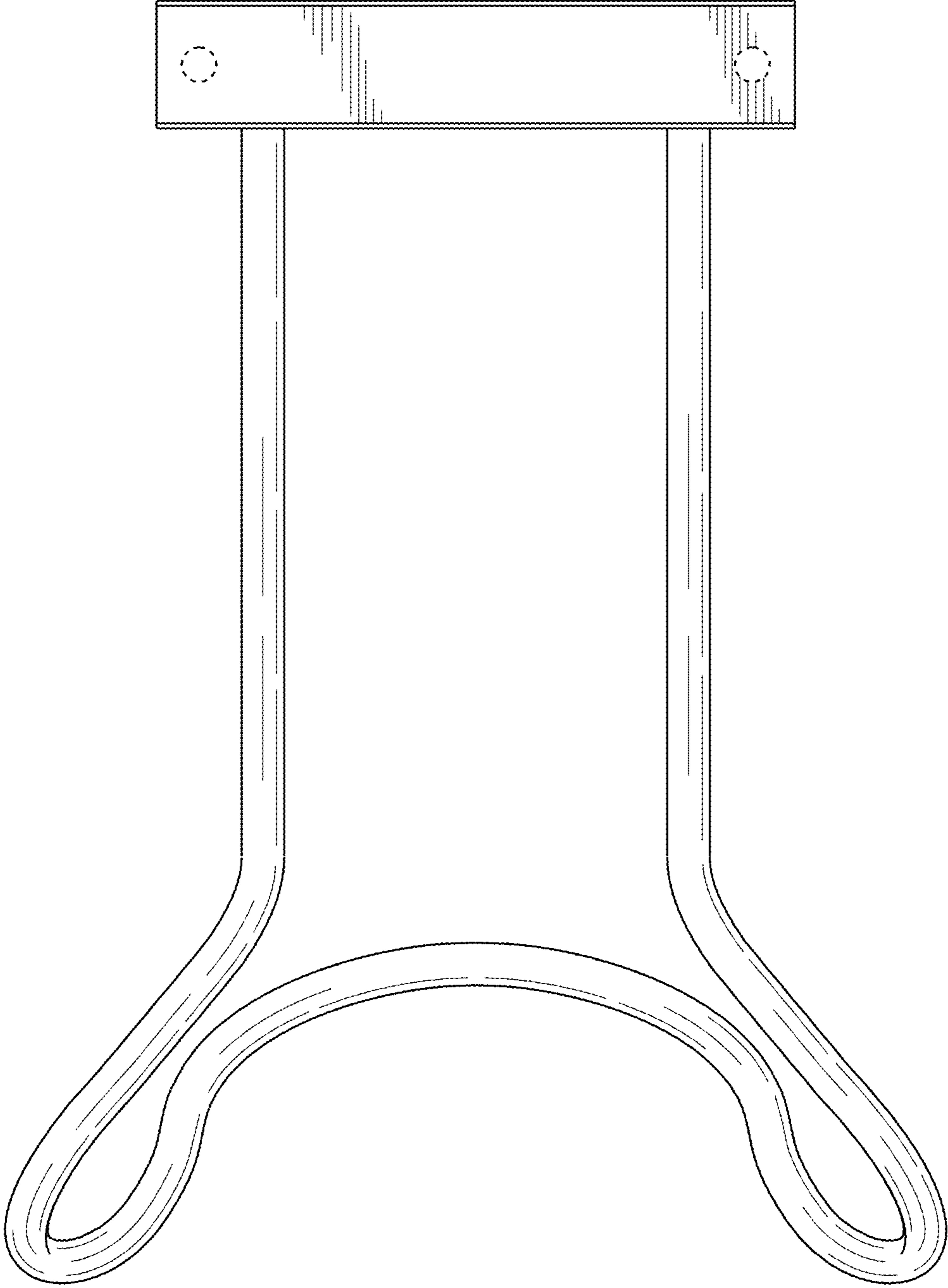


FIG. 3

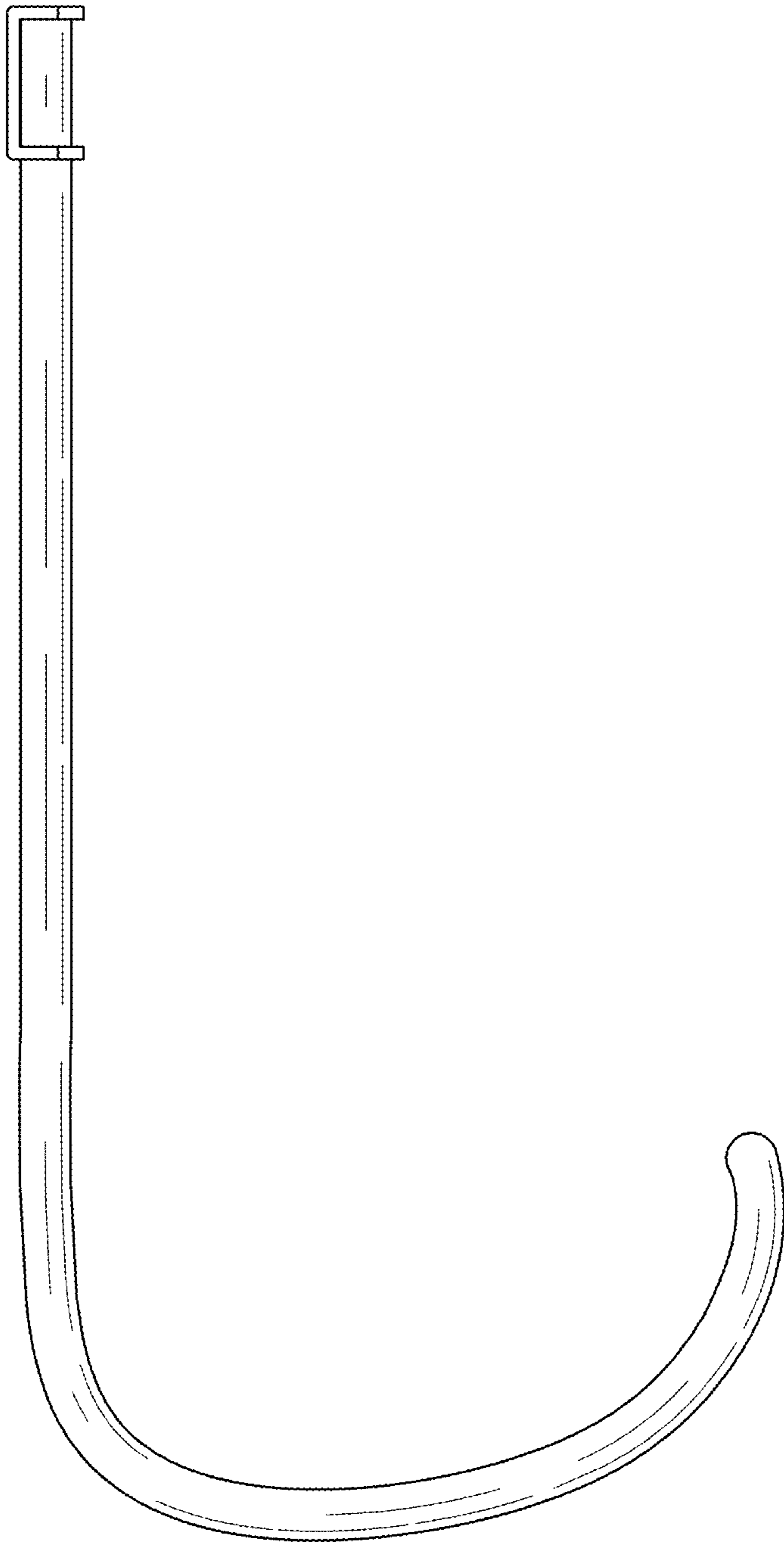


FIG. 4

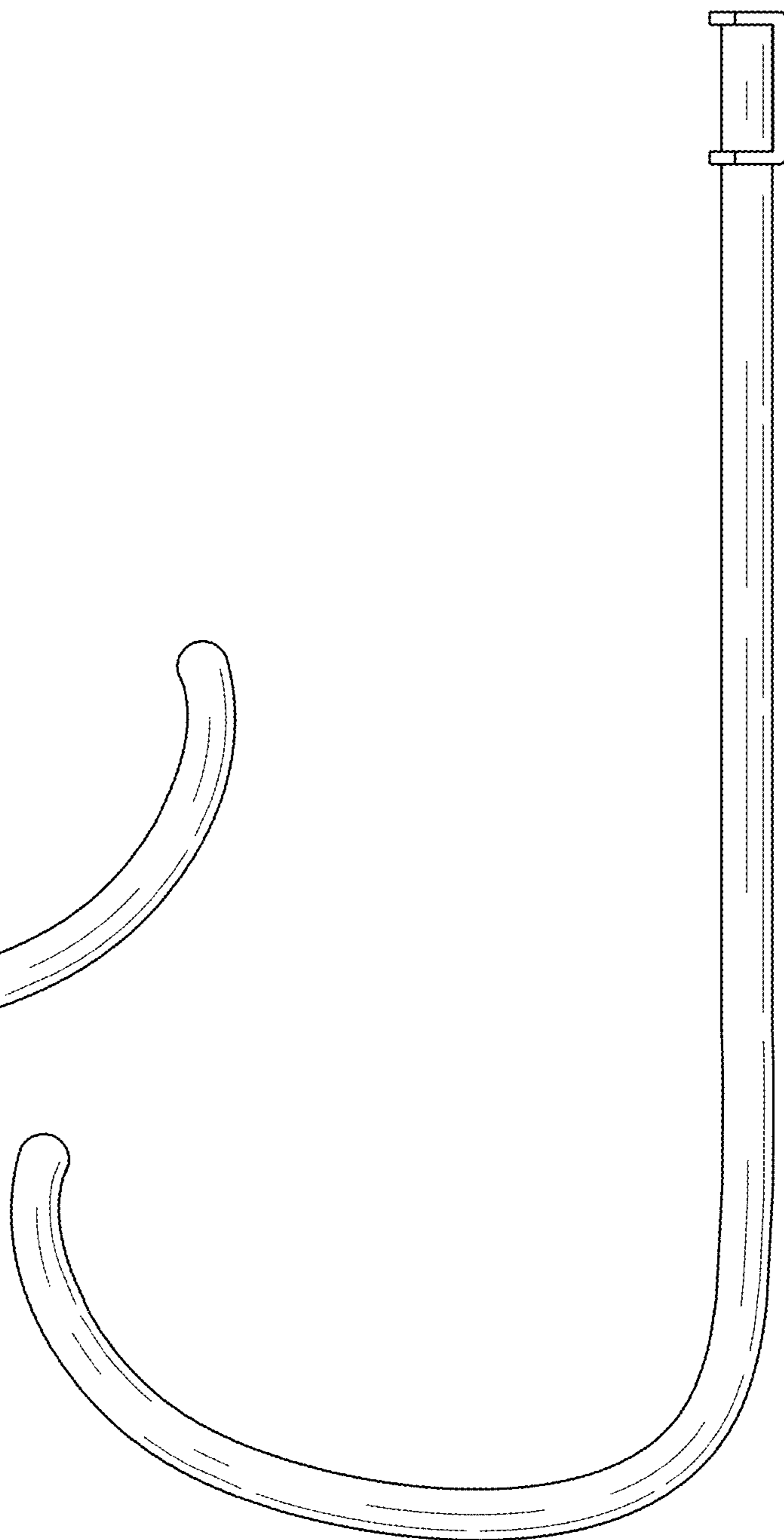


FIG. 5

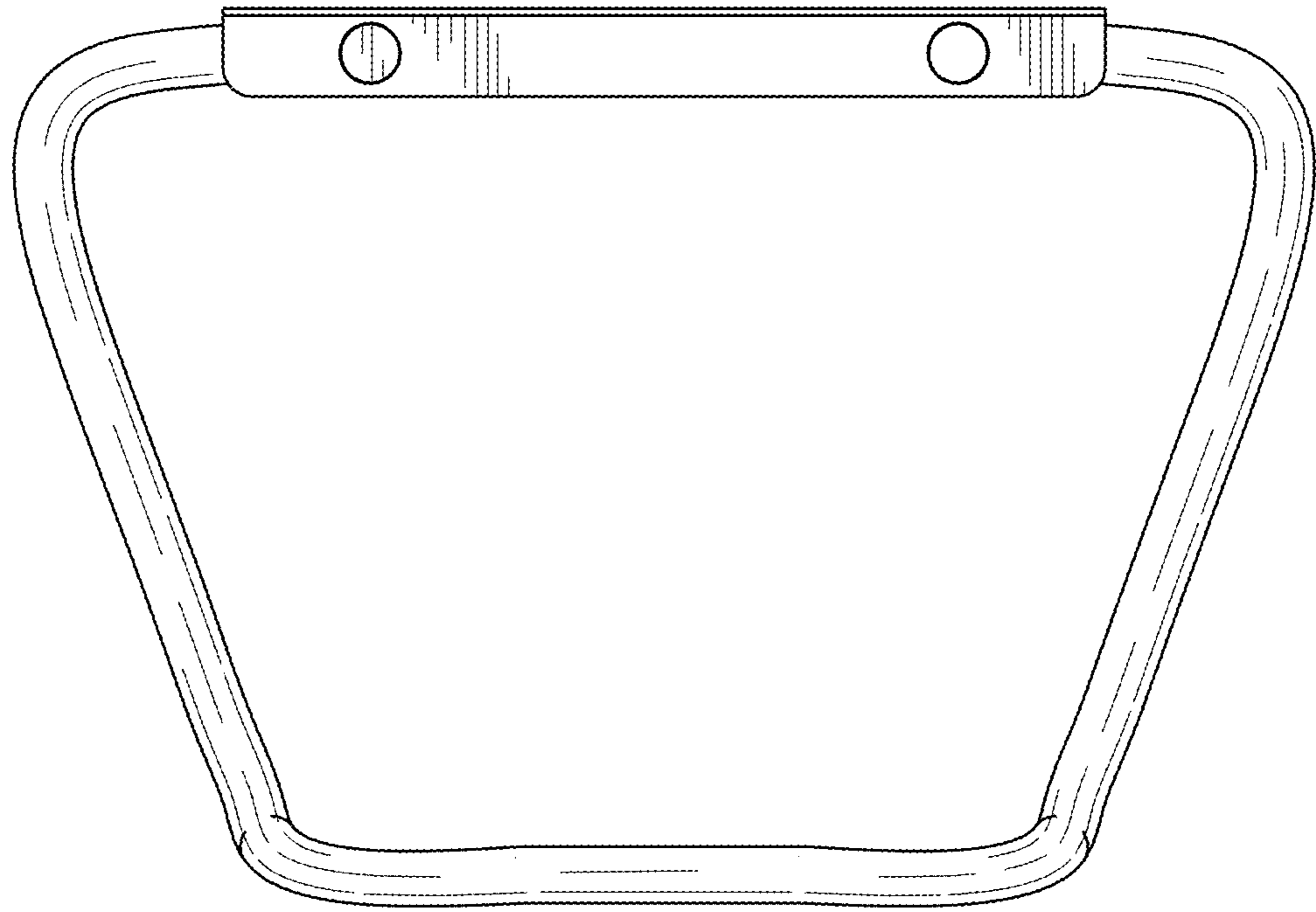


FIG. 6

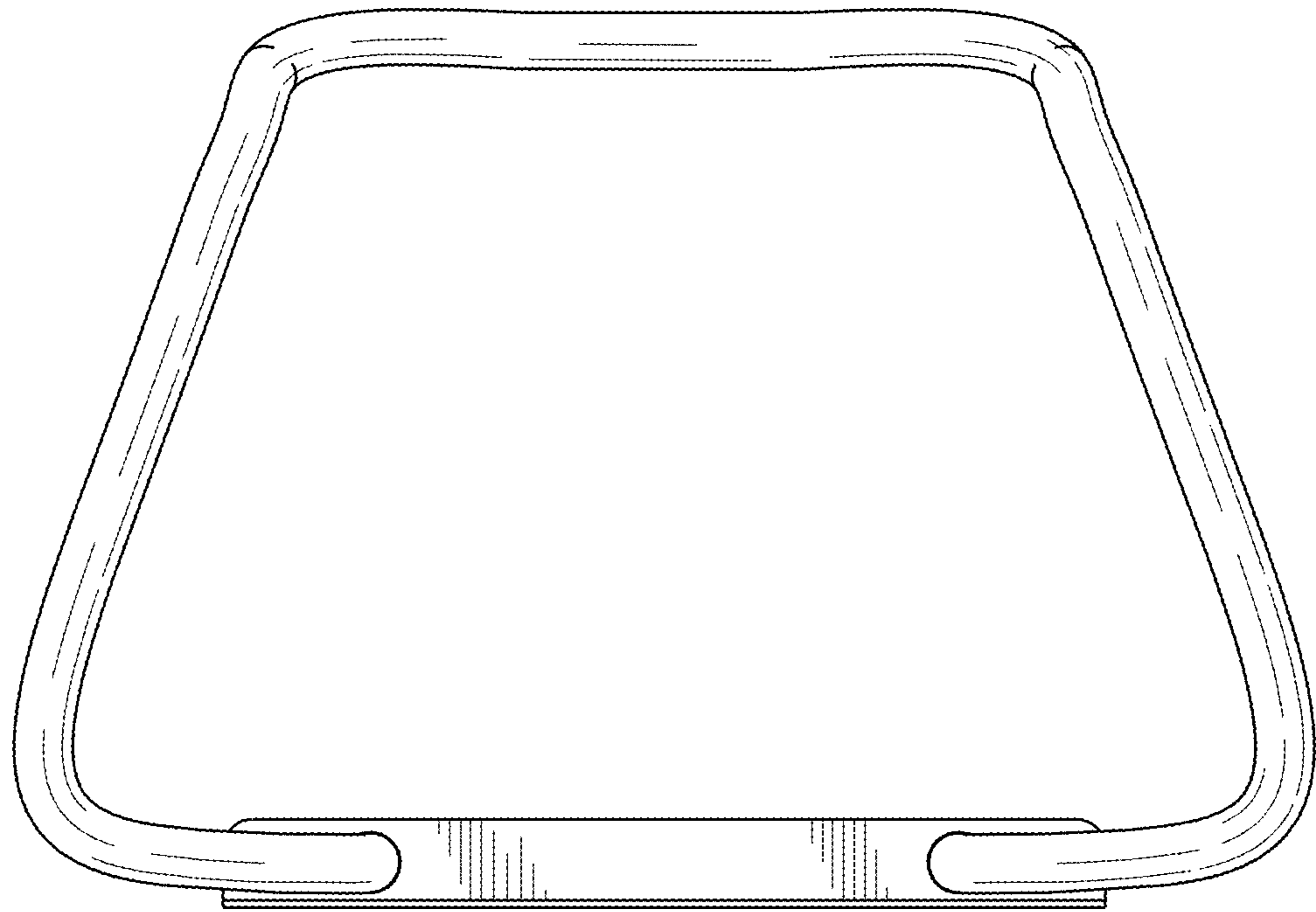


FIG. 7

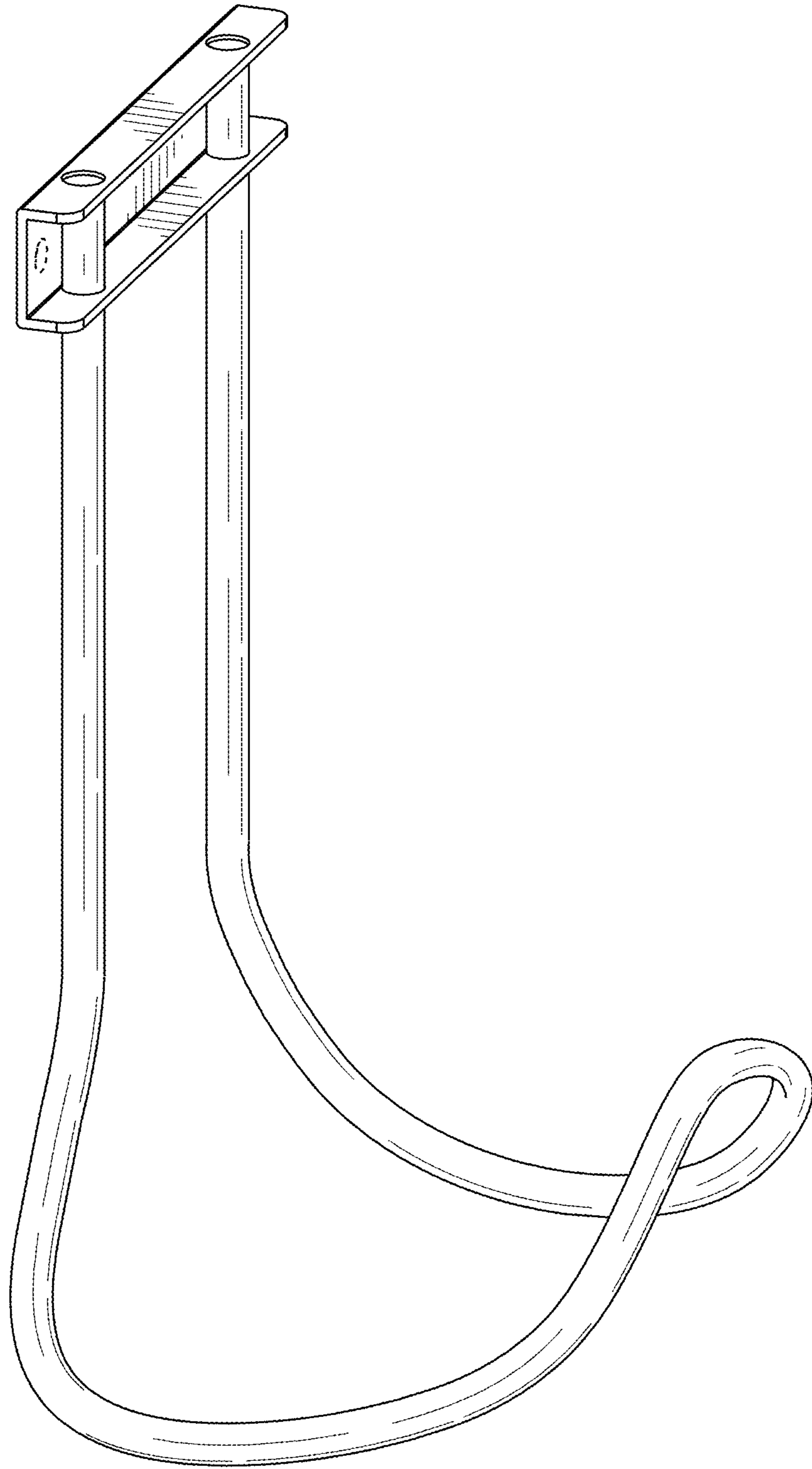


FIG. 8

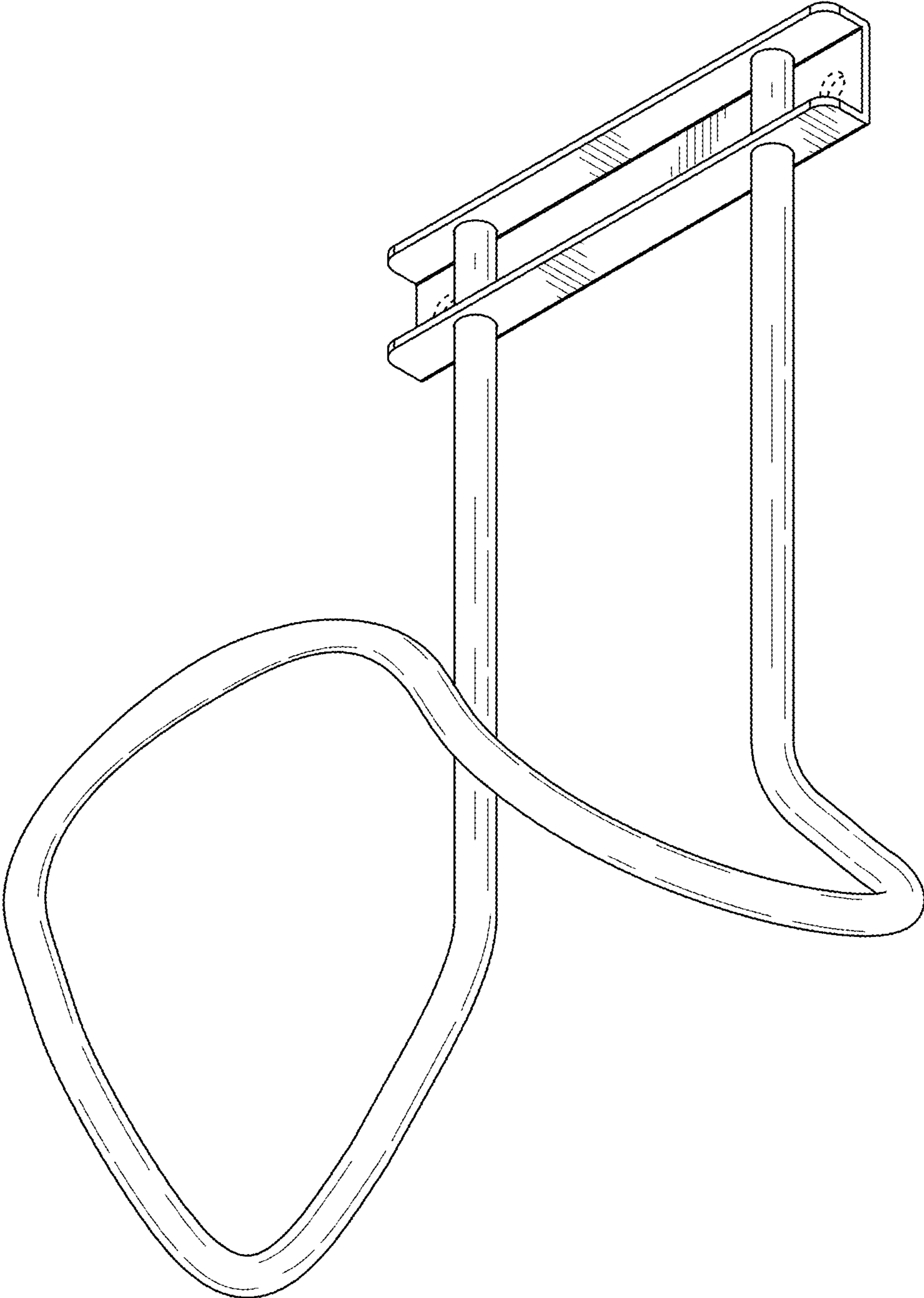


FIG. 9