



US00D947654S

(12) **United States Design Patent** (10) **Patent No.:** **US D947,654 S**
Liu (45) **Date of Patent:** **** Apr. 5, 2022**

(54) **CONNECTOR OF SLACKLINE**
(71) Applicant: **Shanjun Liu**, Taizhou (CN)
(72) Inventor: **Shanjun Liu**, Taizhou (CN)
(**) Term: **15 Years**
(21) Appl. No.: **29/750,128**
(22) Filed: **Sep. 11, 2020**
(51) **LOC (13) Cl.** **09-06**
(52) **U.S. Cl.**
USPC **D8/356**; D11/218
(58) **Field of Classification Search**
USPC D11/210, 212, 218; D8/16, 19, 371, 354,
D8/382; D3/216, 217, 327, 328, 215,
D3/318; D12/180; D21/814
CPC A63B 7/00; A63B 7/02; A63B 7/04; A63B
7/045; A63B 7/08; A63B 7/085; A63B
21/16; A45C 13/1023; A45F 2005/006;
A45F 2005/023; A45F 2005/027; A45F
5/02; A45F 2005/1013; A45F 5/021;
A44B 11/10; A44B 11/2526; A44B
11/255
See application file for complete search history.

(56) **References Cited**

U.S. PATENT DOCUMENTS

4,365,391 A * 12/1982 Chapalain B66C 1/18
24/197
D328,186 S * 7/1992 Hanke 224/258
D329,925 S * 9/1992 Tilbury D24/190
D346,766 S * 5/1994 Franklin D11/218
5,360,384 A * 11/1994 Toensing A63B 69/0064
482/23
D357,435 S * 4/1995 Cook D11/200
D357,808 S * 5/1995 Aumasson D3/276
D359,710 S * 6/1995 Chinni D11/218
D361,665 S * 8/1995 Izumi D3/318
D364,126 S * 11/1995 Ochiai D11/200
D389,779 S * 1/1998 Poynter D11/218

D394,553 S * 5/1998 Lin D3/318
D403,161 S * 12/1998 Lin D3/318
5,930,874 A * 8/1999 Yamazaki A44B 19/262
24/429
D435,807 S * 1/2001 Anscher D11/200
D495,870 S * 9/2004 Verdugo D22/108
D502,803 S * 3/2005 Racov D3/228
D622,062 S * 8/2010 Grubstein D3/318
D631,787 S * 2/2011 Grimm D11/218
D667,753 S * 9/2012 Nanbu D11/218
D673,880 S * 1/2013 Boothby D11/218
D683,262 S * 5/2013 Fitzpatrick D11/218
D686,109 S * 7/2013 Iannello D11/218
D702,595 S * 4/2014 Fretz D11/218
D704,095 S * 5/2014 Kowalewski D11/200
D738,255 S * 9/2015 Hortnagl D11/218
D739,303 S * 9/2015 Kinskey D11/218
D748,013 S * 1/2016 Spater D11/218
D750,371 S * 3/2016 Kinskey D3/228
D758,078 S * 6/2016 Enes D3/327

(Continued)

FOREIGN PATENT DOCUMENTS

JP 2004024278 A * 1/2004 A45F 5/02
Primary Examiner — Sandra Snapp
Assistant Examiner — Ieisha N Price

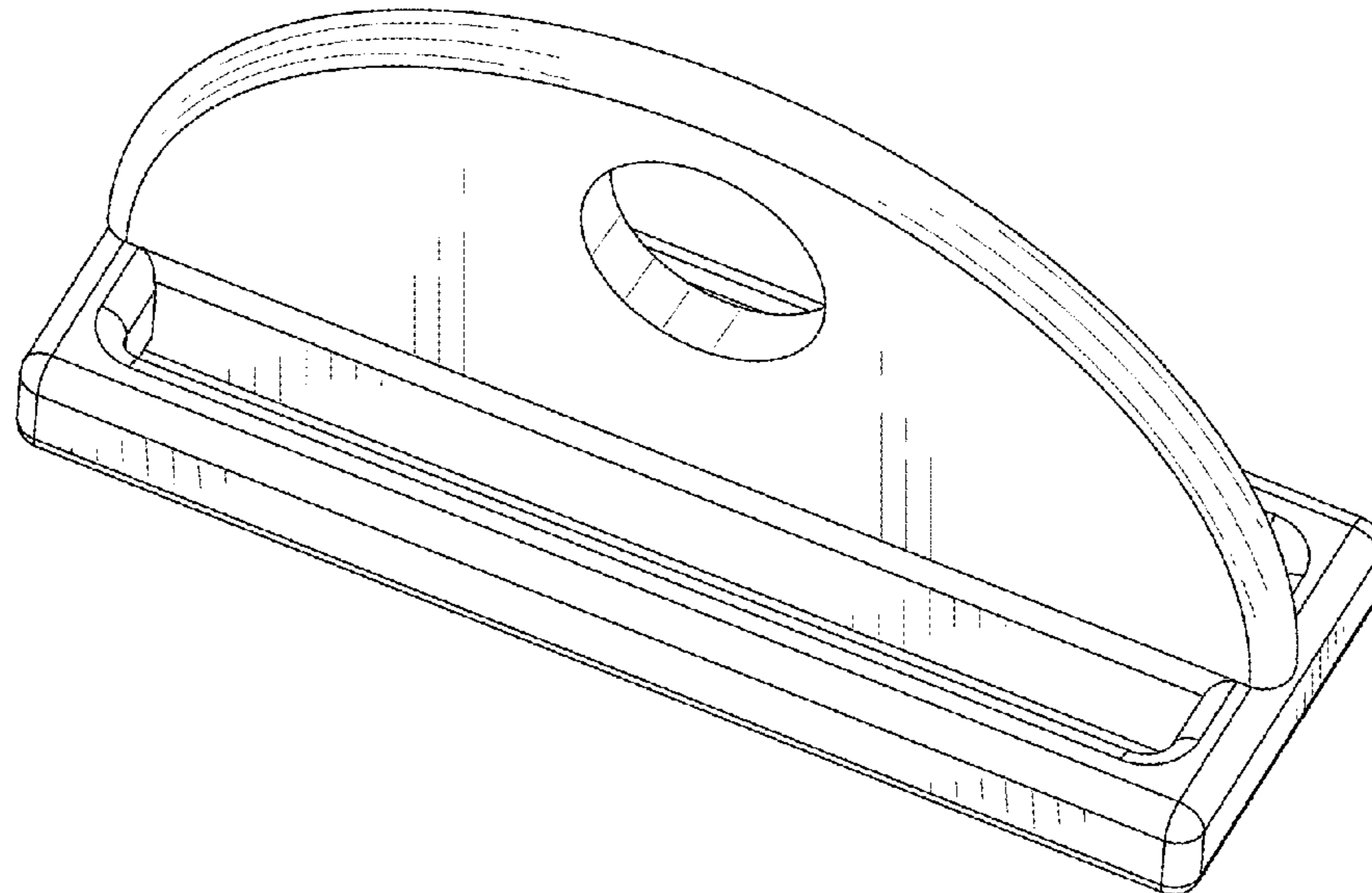
(57) **CLAIM**

The ornamental design for a connector of slackline, as shown and described.

DESCRIPTION

FIG. 1 is a perspective view of a connector of slackline showing my new design;
FIG. 2 is a front view thereof;
FIG. 3 is a left side view thereof;
FIG. 4 is a rear view thereof;
FIG. 5 is a right side view thereof;
FIG. 6 is a top plan view thereof; and,
FIG. 7 is a bottom plan view thereof.

1 Claim, 7 Drawing Sheets



(56)

References Cited

U.S. PATENT DOCUMENTS

D767,957 S * 10/2016 Hancock D8/44
D771,947 S * 11/2016 Tong D3/318
D786,032 S * 5/2017 Fidrych D8/34
9,775,328 B1 * 10/2017 Fidrych A01K 27/006
D809,783 S * 2/2018 Votel D3/215
D813,016 S * 3/2018 Deneau D8/356
D813,536 S * 3/2018 Schoh D3/262
D834,895 S * 12/2018 Triska D7/607
D843,887 S * 3/2019 Frost D11/218
D853,201 S * 7/2019 Collie D7/605
D860,890 S 9/2019 Paranjothi
D860,891 S 9/2019 Paranjothi
D869,594 S * 12/2019 Lance D22/108
D871,162 S * 12/2019 Jacobsen D7/607
D871,753 S * 1/2020 Paik D3/215
D876,931 S * 3/2020 Li D8/356
D882,956 S * 5/2020 Seiders D3/318
D885,254 S * 5/2020 Jiang D11/218
10,654,442 B2 * 5/2020 Wang A44B 11/2557
D891,091 S * 7/2020 Baldemor D3/217
D891,107 S * 7/2020 Paik D3/318
D898,530 S * 10/2020 Guest D8/16
D906,058 S * 12/2020 Sullivan D7/607
11,117,732 B2 * 9/2021 Seiders A45C 13/30
2012/0214651 A1 * 8/2012 Ross A63B 7/00
482/129
2014/0015301 A1 * 1/2014 Perlman A44B 11/065
297/468
2014/0304952 A1 * 10/2014 Mathews A45F 5/00
24/302
2017/0232289 A1 * 8/2017 Pouchet A63B 69/0057
482/93
2018/0050657 A1 * 2/2018 Wang A44B 11/10
2018/0213891 A1 * 8/2018 Paik A44B 11/18
2020/0276073 A1 * 9/2020 Hittel A61H 3/008

* cited by examiner

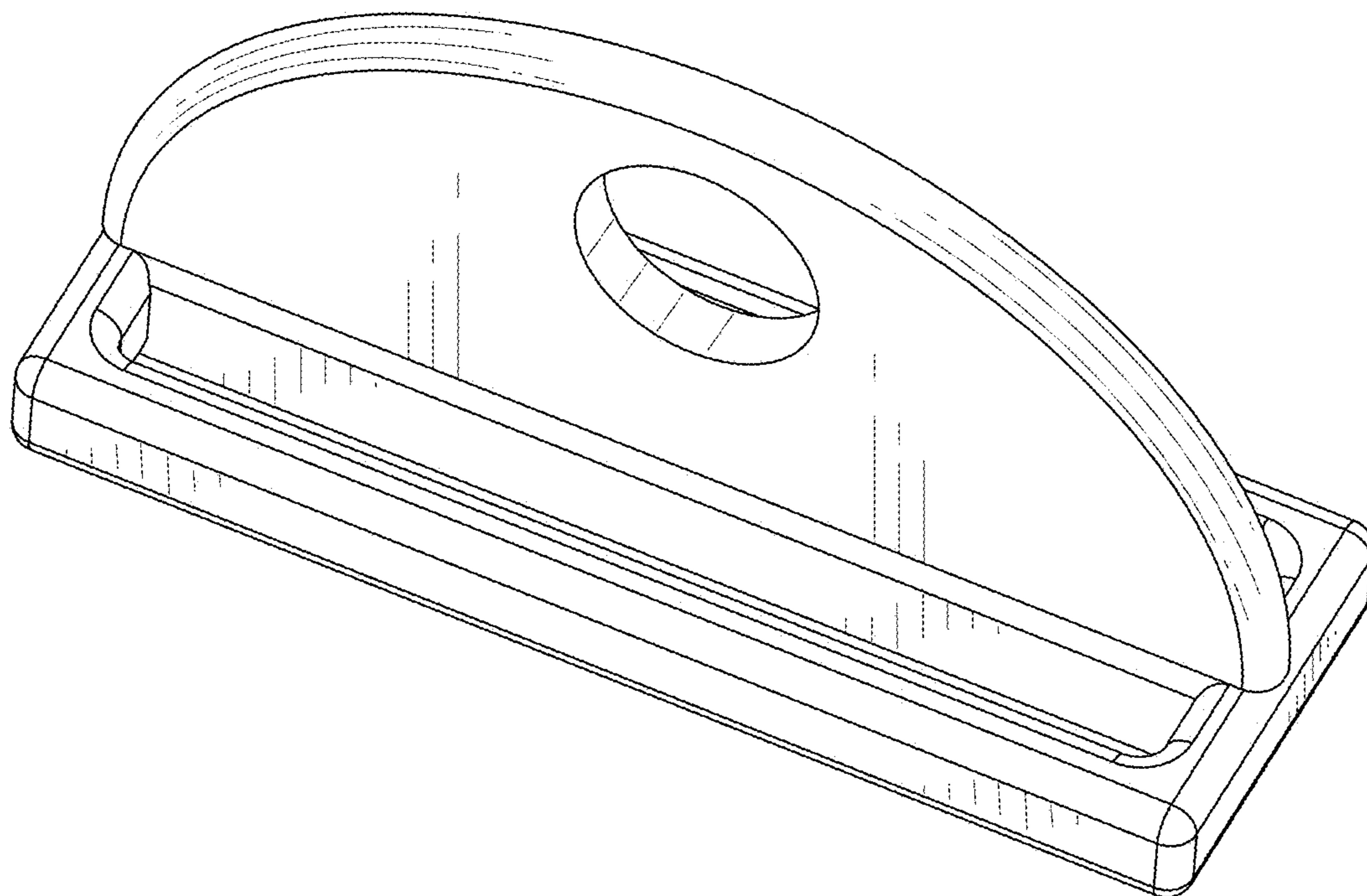


FIG. 1

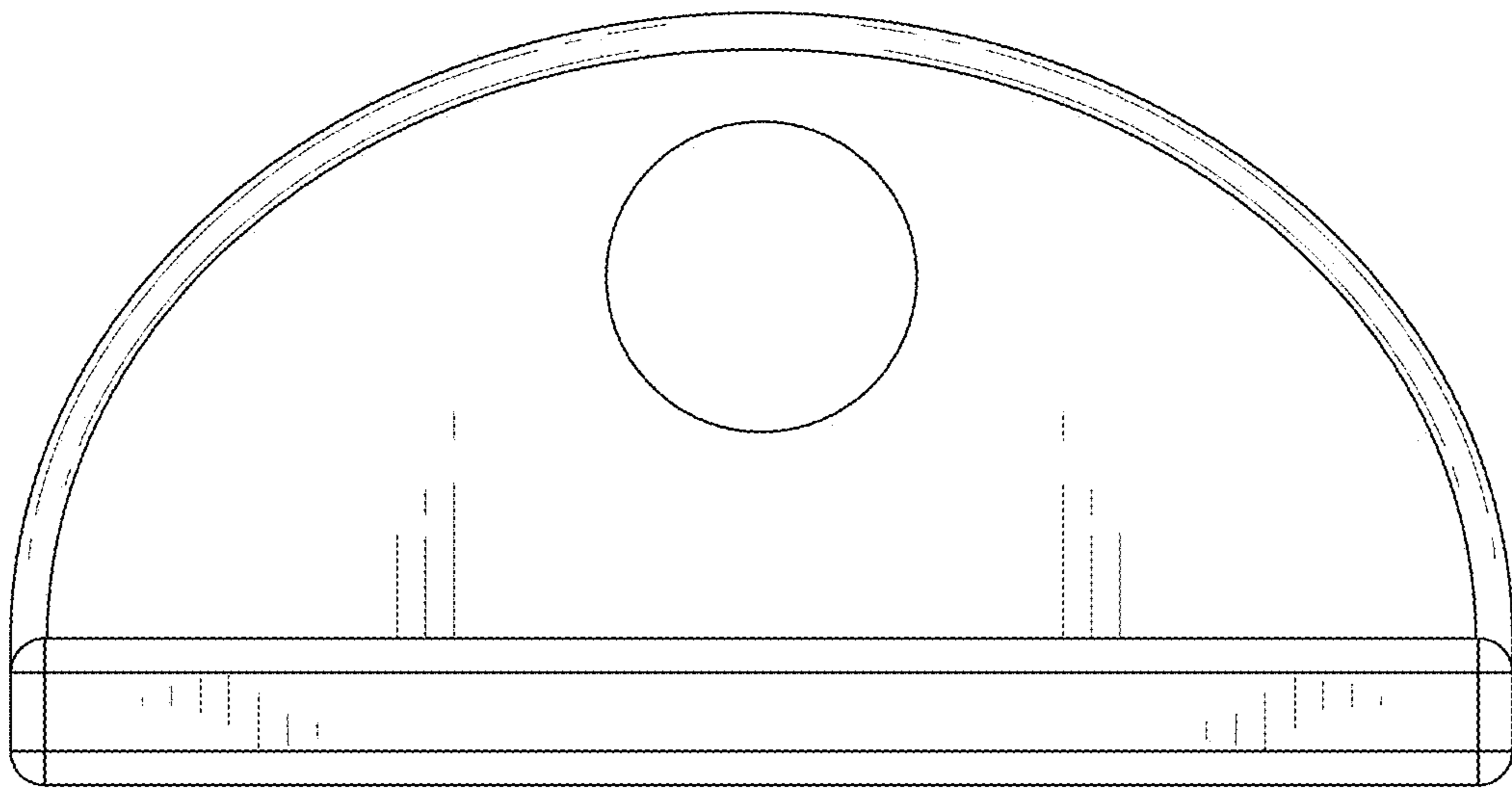


FIG. 2

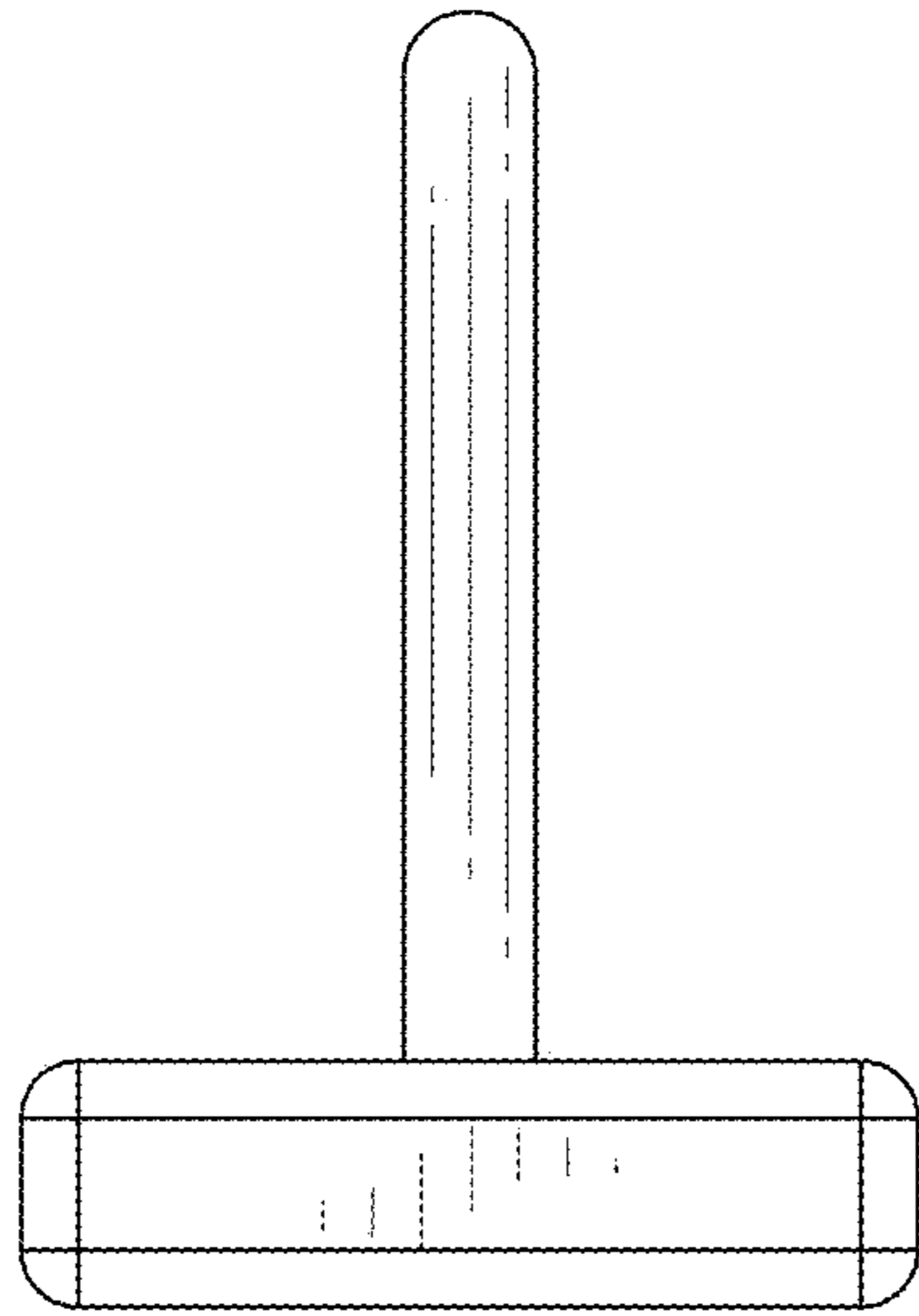


FIG. 3

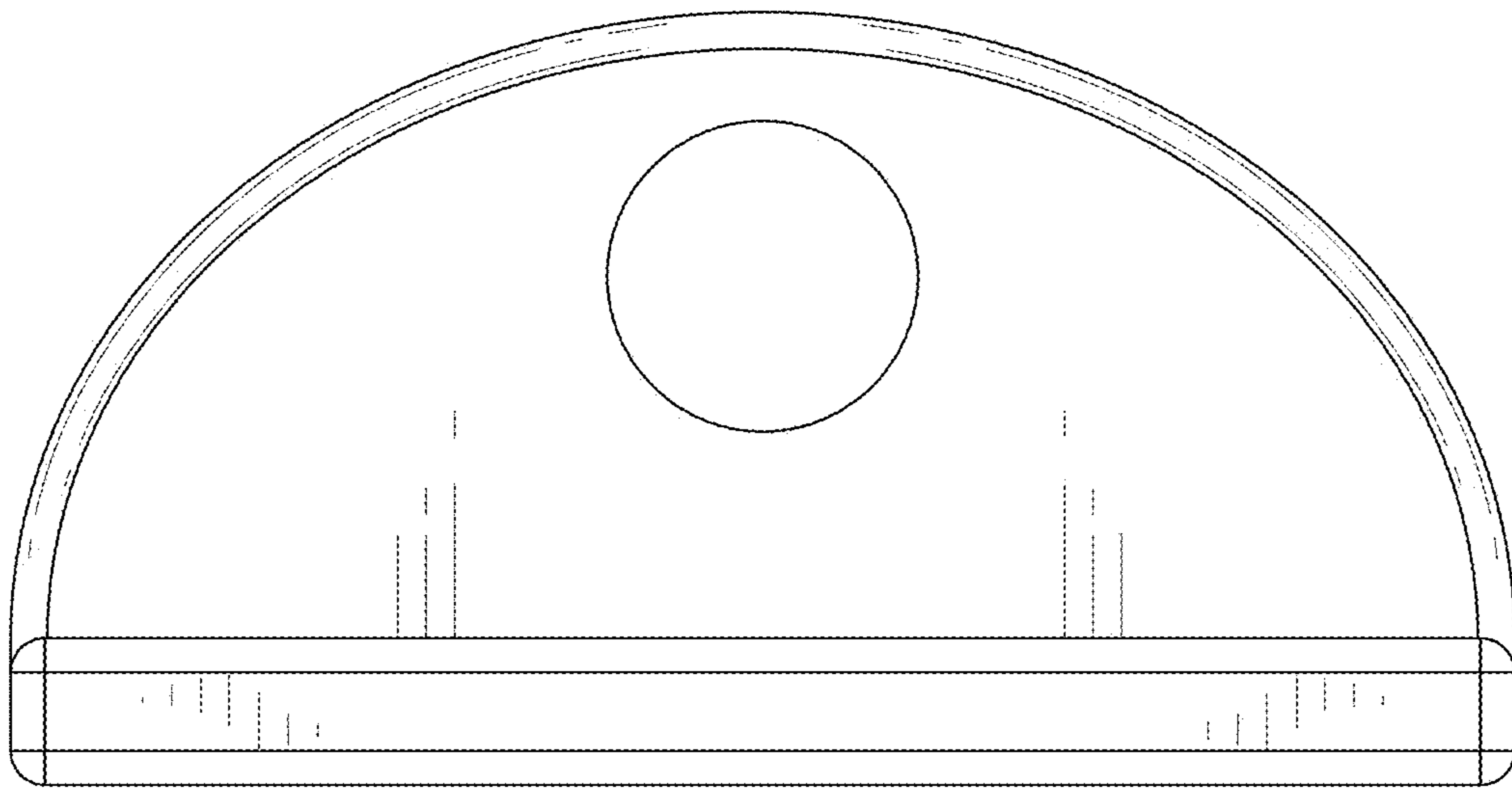


FIG. 4

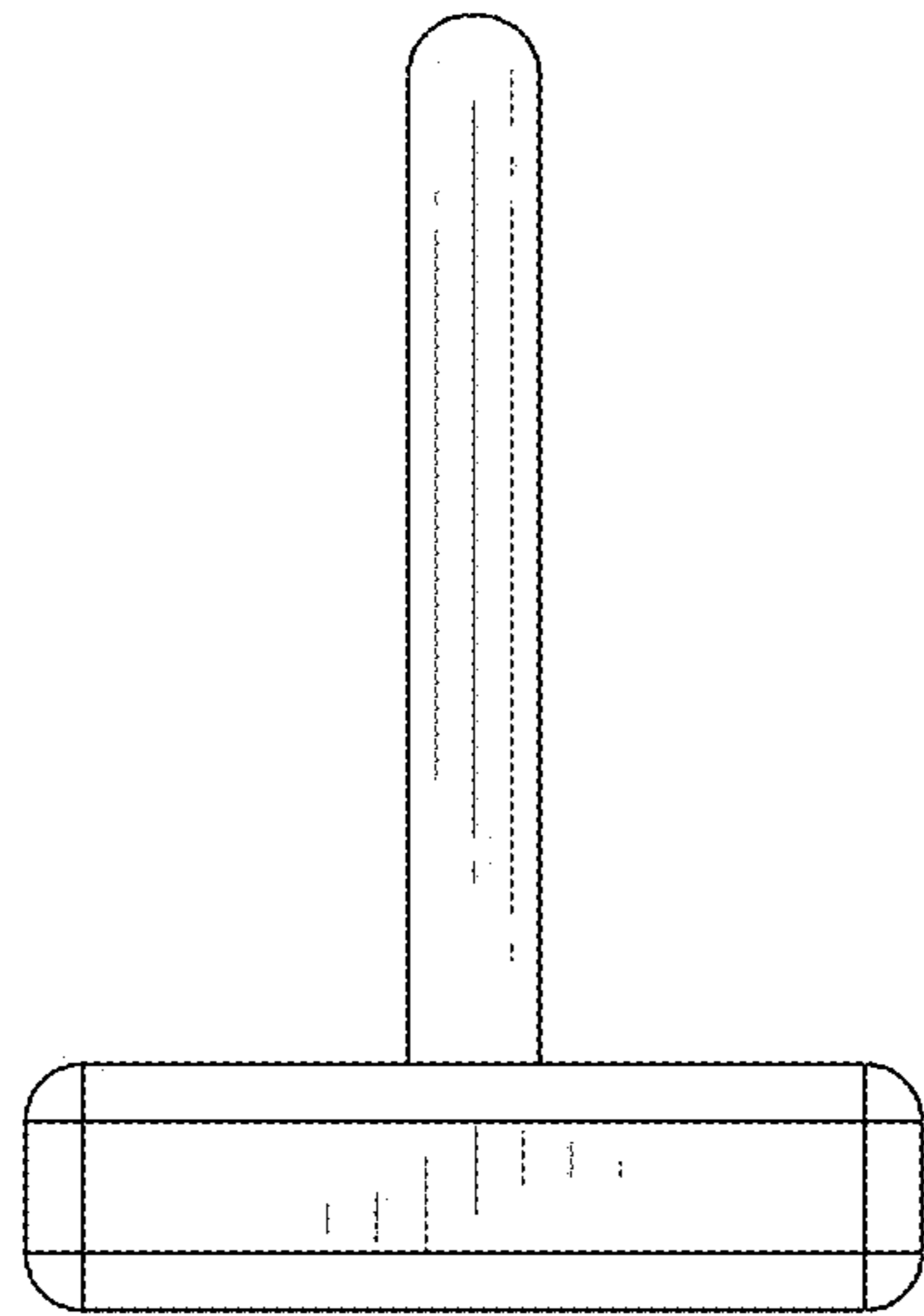


FIG. 5

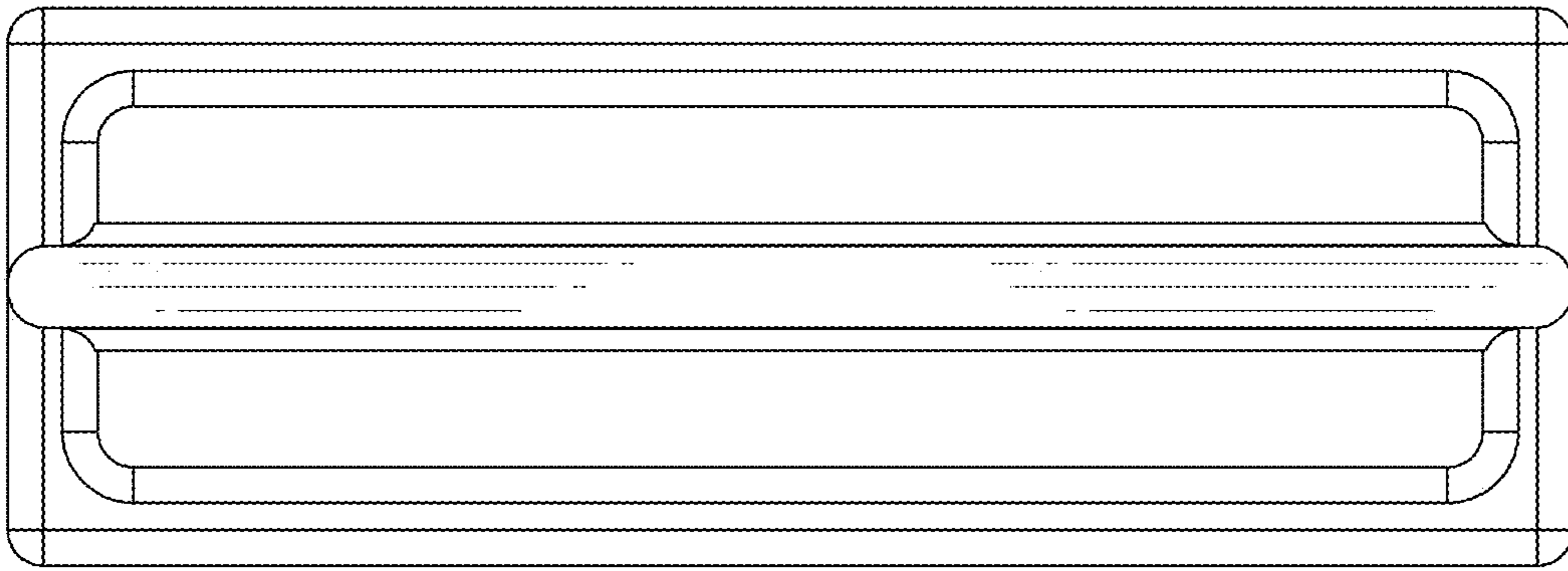


FIG. 6

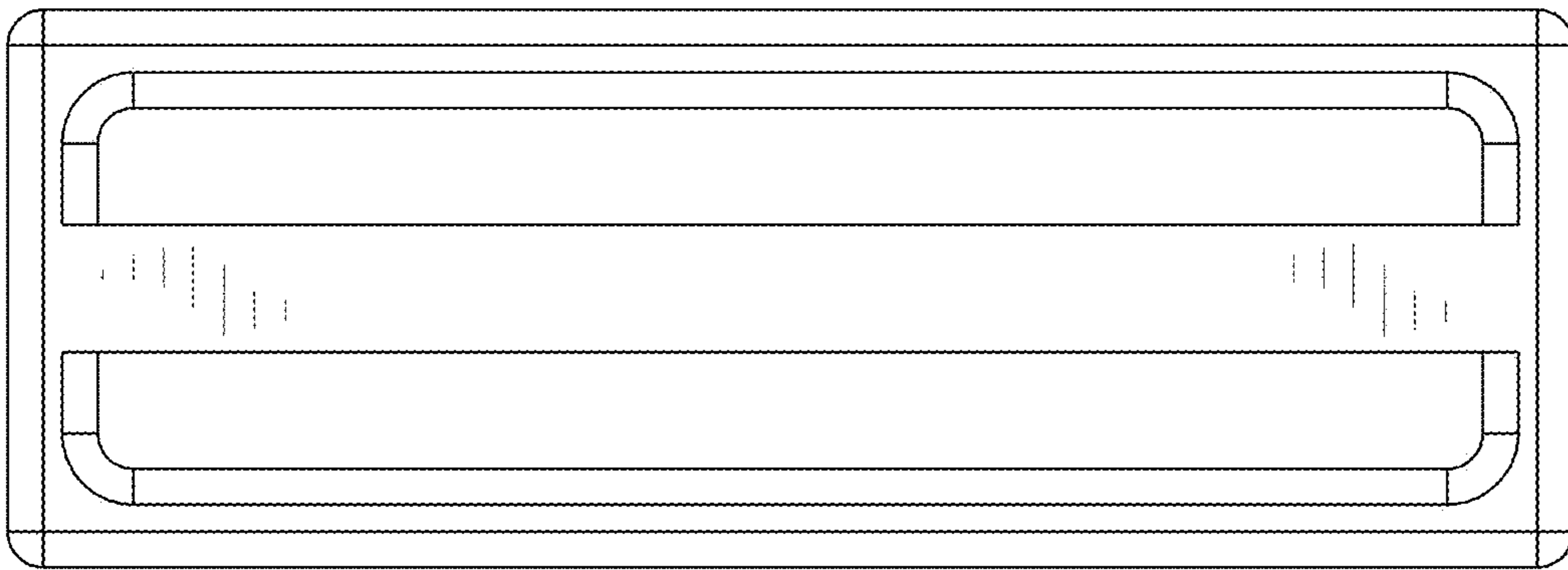


FIG. 7