



US00D947651S

(12) **United States Design Patent**  
**Recker et al.**

(10) **Patent No.:** **US D947,651 S**

(45) **Date of Patent:** **\*\* Apr. 5, 2022**

- (54) **PRE-CAST PANEL WALL BRACE**
- (71) Applicant: **Meadow Burke, LLC**, Tampa, FL (US)
- (72) Inventors: **Michael J. Recker**, Palmetto, FL (US);  
**Thomas F. Abbott, Jr.**, San Antonio, TX (US)
- (73) Assignee: **MEADOW BURKE, LLC**, Tampa, FL (US)

3,829,153 A 8/1974 Fussell, Jr. et al.  
 4,083,156 A 4/1978 Tye  
 D290,579 S \* 6/1987 Crisp, Jr. .... 292/338  
 (Continued)

**FOREIGN PATENT DOCUMENTS**

CA	2063095	9/1993
GB	2170525	8/1986
WO	WO 2009/114902	9/2009

**OTHER PUBLICATIONS**

Official Action for U.S. Appl. No. 16/433,313, dated Feb. 1, 2021, 13 pages.

(Continued)

*Primary Examiner* — Lauren R Calve  
(74) *Attorney, Agent, or Firm* — Sheridan Ross P.C.

(57) **CLAIM**

The ornamental design for a pre-cast panel wall brace, as shown and described.

**DESCRIPTION**

FIG. 1 is a front perspective view showing the new design of a pre-cast panel wall brace;  
 FIG. 2 is a front elevation view of the pre-cast panel wall brace;  
 FIG. 3 is a rear elevation view of the pre-cast panel wall brace;  
 FIG. 4 is a left elevation view of the pre-cast panel wall brace;  
 FIG. 5 is a right elevation view of the pre-cast panel wall brace;  
 FIG. 6 is a top plan view of the pre-cast panel wall brace; and,  
 FIG. 7 is a bottom plan view of the pre-cast panel wall brace. Portions of the pre-cast panel wall brace between the break lines in the drawings form no part of the claimed design.

**1 Claim, 4 Drawing Sheets**

(\*\*) Term: **15 Years**

(21) Appl. No.: **29/650,200**

(22) Filed: **Jun. 5, 2018**

(51) **LOC (13) Cl.** ..... **08-05**

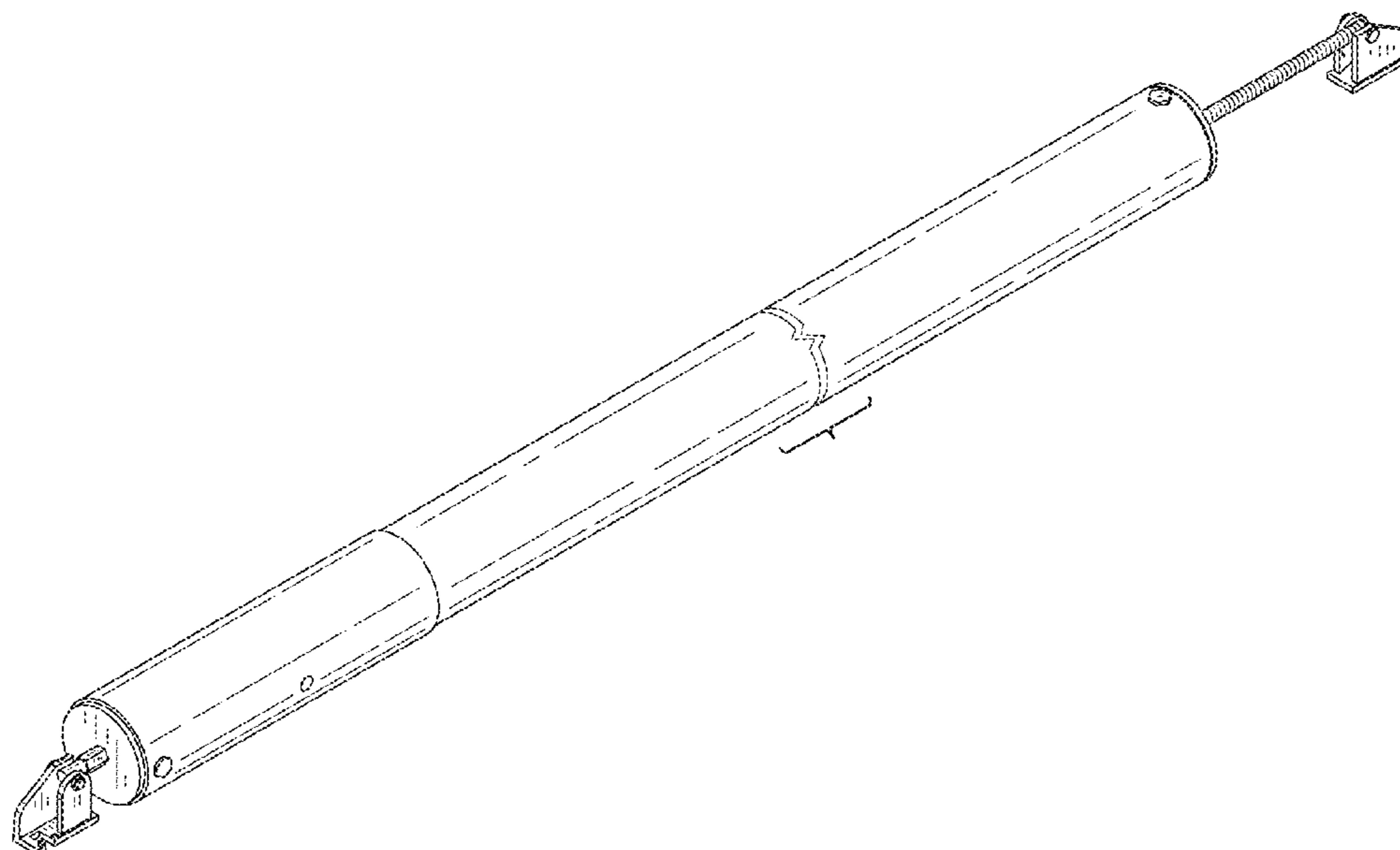
(52) **U.S. Cl.**  
USPC ..... **D8/355**

(58) **Field of Classification Search**  
USPC ..... D8/14, 106, 354, 355, 376  
CPC . E04G 21/26; E04G 17/14; E04G 2002/8688;  
E04G 25/08; E04G 21/167; E04G 21/165;  
E04B 2002/8688  
See application file for complete search history.

(56) **References Cited**

**U.S. PATENT DOCUMENTS**

1,551,432 A	8/1925	Schaeffer	
2,684,824 A	7/1954	Hillberg	
2,832,559 A	4/1958	Hillberg	
3,001,754 A *	9/1961	Fowler	..... A47F 5/06 248/357
3,171,627 A	3/1965	Tapley et al.	
3,229,950 A	1/1966	MacRobbie	
D221,459 S *	8/1971	Wolf et al.	..... D8/355
3,700,202 A	10/1972	Donnels	
3,776,555 A	12/1973	Hagaman	
3,788,026 A	1/1974	Cook	
3,798,856 A	3/1974	Glaskowski	



(56)

References Cited

U.S. PATENT DOCUMENTS

D300,404 S \* 3/1989 Lauer ..... 8/14  
 4,872,634 A 10/1989 Gillaspay et al.  
 5,114,127 A 5/1992 Everhart  
 D349,446 S \* 8/1994 Brunette ..... D8/331  
 5,431,461 A \* 7/1995 Andersen, III ..... E05B 65/0888  
 292/259 R  
 D362,613 S \* 9/1995 Lott, Sr. .... D8/355  
 D365,019 S \* 12/1995 Rich ..... D8/331  
 D375,037 S \* 10/1996 Toenders ..... D8/339  
 5,676,410 A \* 10/1997 Angerbrandt ..... E05C 19/004  
 292/288  
 D391,817 S \* 3/1998 Christian, Jr. .... 8/14  
 5,943,830 A 8/1999 Truitt  
 D414,678 S \* 10/1999 Sanders ..... D8/354  
 D424,896 S \* 5/2000 Christian, Jr. .... 8/14  
 D438,777 S \* 3/2001 Alecci ..... D8/354  
 6,247,273 B1 6/2001 Nickel  
 6,752,570 B2 \* 6/2004 Lanka ..... E04G 21/26  
 405/272  
 6,782,668 B2 \* 8/2004 Bruce ..... G09F 19/22  
 135/94  
 6,854,222 B2 2/2005 Hansort  
 D516,901 S \* 3/2006 Murray ..... D8/376  
 D549,085 S \* 8/2007 Mevissen ..... D8/376  
 8,186,645 B2 5/2012 Shaw et al.  
 8,826,605 B2 9/2014 Recker et al.  
 D767,003 S \* 9/2016 Lin ..... D15/143  
 D786,638 S \* 5/2017 Lofley, Sr. .... 8/14

D893,749 S \* 8/2020 Carreras ..... E05C 19/003  
 D25/33  
 2003/0131543 A1 7/2003 Hansort  
 2006/0207215 A1 9/2006 Bruno  
 2007/0175174 A1 8/2007 Bruno  
 2009/0057518 A1 3/2009 Russell  
 2011/0047895 A1 3/2011 Finch  
 2011/0079698 A1 4/2011 Pezzimenti  
 2011/0173918 A1 \* 7/2011 Graham ..... E04G 21/26  
 52/693  
 2011/0210234 A1 \* 9/2011 Garcia, Jr. .... E04G 17/14  
 249/213  
 2012/0285914 A1 \* 11/2012 Carney ..... A47H 1/022  
 211/123  
 2018/0058082 A1 3/2018 Hansort  
 2019/0301152 A1 \* 10/2019 Hansort ..... E04B 1/185

OTHER PUBLICATIONS

Notice of Allowance for U.S. Appl. No. 16/433,313, dated Apr. 9, 2021, 7 pages.  
 Official Action for U.S. Appl. No. 16/433,313, dated Apr. 26, 2020, 6 pages. Restriction Requirement.  
 Official Action for U.S. Appl. No. 16/433,313, dated Jul. 9, 2020, 15 pages.  
 Official Action for U.S. Appl. No. 16/433,313, dated Jul. 29, 2020, 14 pages.  
 "Tilt-up Technical Manual," MeadowBurke, 2018, MBo418, 126 pages [retrieved online from: [www.meadowburke.com/techmanuals/tilt.pdf](http://www.meadowburke.com/techmanuals/tilt.pdf)].

\* cited by examiner

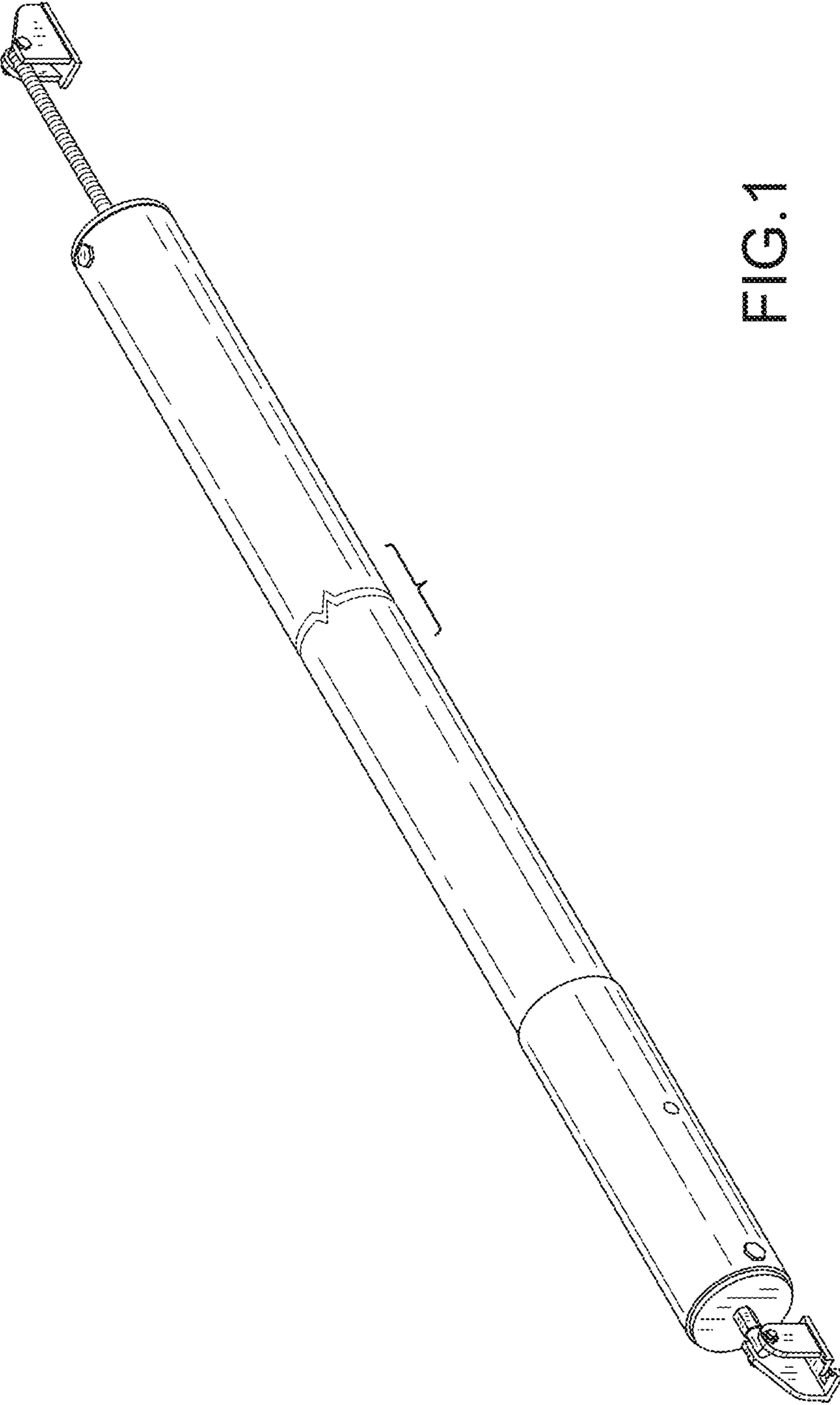


FIG. 1

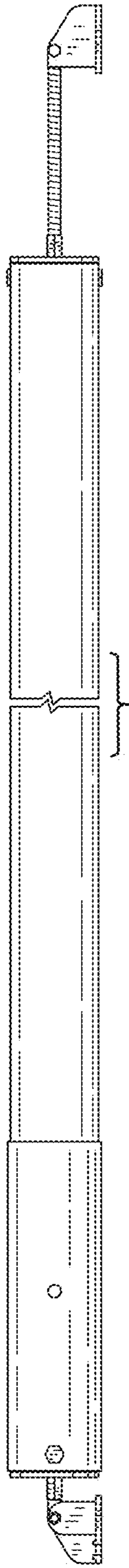


FIG. 2

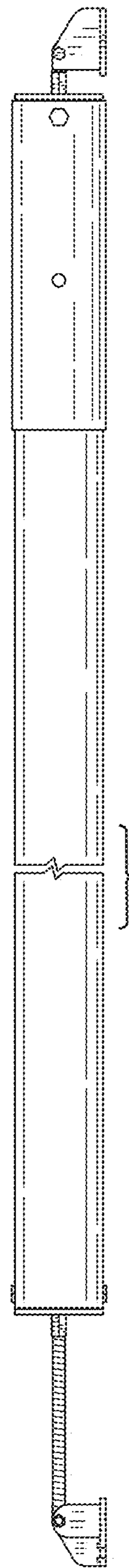


FIG. 3

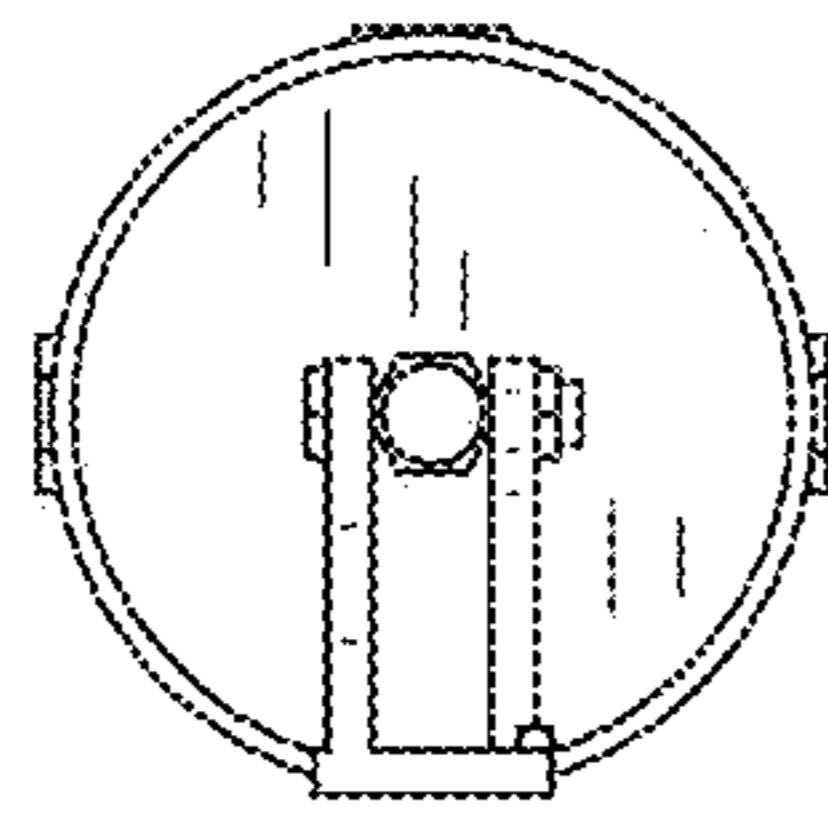


FIG. 4

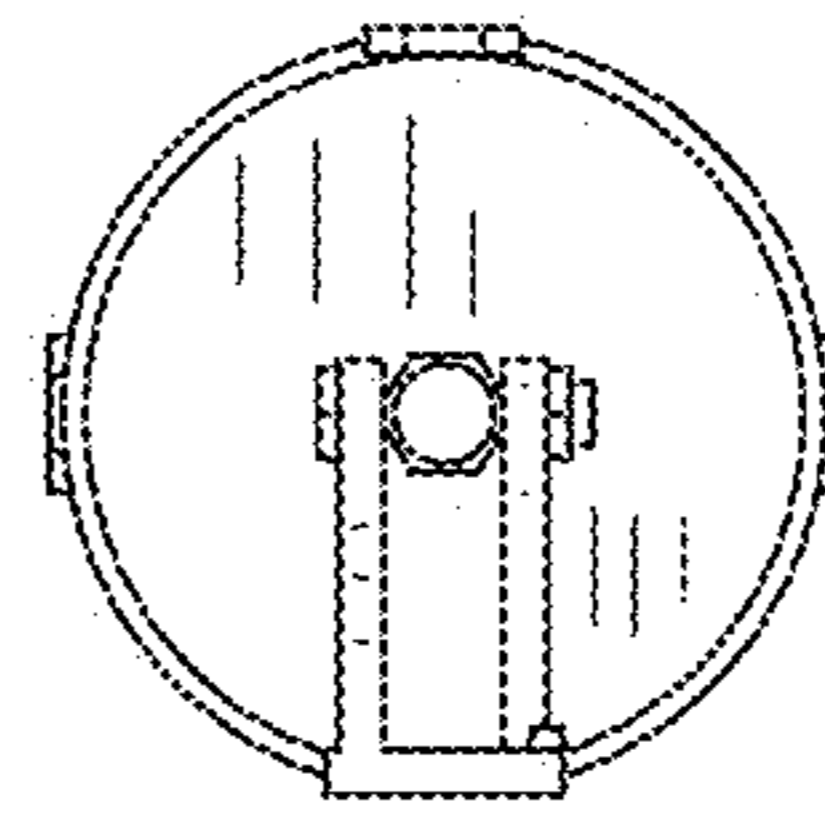


FIG. 5

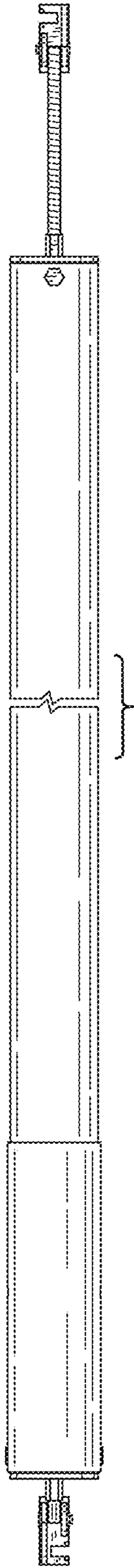


FIG. 6

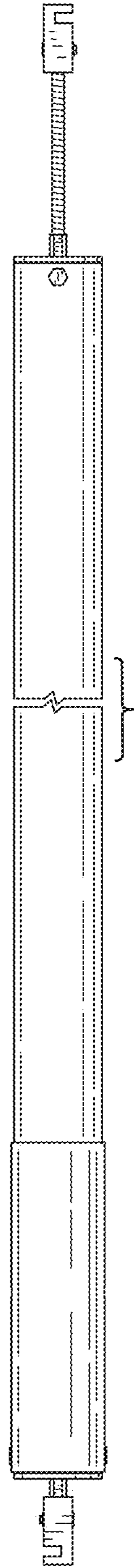


FIG. 7