



US00D947649S

(12) **United States Design Patent**  
**Yang**

(10) **Patent No.:** **US D947,649 S**

(45) **Date of Patent:** **\*\* Apr. 5, 2022**

(54) **PORTABLE DOOR LOCK**

(71) Applicant: **NANTONG TENRICH TRADE CO., LTD.**, Nantong (CN)

(72) Inventor: **Yinghong Yang**, Nantong (CN)

(\*\*) Term: **15 Years**

(21) Appl. No.: **29/783,699**

(22) Filed: **May 14, 2021**

(51) **LOC (13) Cl.** ..... **08-07**

(52) **U.S. Cl.**  
USPC ..... **D8/340**

(58) **Field of Classification Search**  
USPC ..... D8/340  
CPC ..... E05B 65/087; E05B 65/0876; E05B 65/0882; E05B 65/0894; E05B 65/0888; E05B 65/0864; E05C 17/365; E05C 17/18; E05C 17/20; F16B 21/16; F16B 21/165

See application file for complete search history.

(56) **References Cited**

**U.S. PATENT DOCUMENTS**

- 5,285,666 A \* 2/1994 Bartnicki ..... E05C 17/365 292/264
- 5,551,739 A \* 9/1996 Solis ..... E05C 17/365 292/264
- D511,958 S \* 11/2005 Mastrogiovanni ..... D8/340
- D675,900 S 2/2013 Lin
- D798,687 S \* 10/2017 Schumacher ..... D8/340
- D884,456 S 5/2020 Li

- D888,537 S 6/2020 Laurans
- D891,223 S 7/2020 Ronge
- D893,281 S 8/2020 Bhanpurawala
- D894,714 S 9/2020 Evarts
- D896,062 S 9/2020 Bertani
- D896,614 S 9/2020 Liao
- D906,086 S 12/2020 Qinggui
- D918,009 S 5/2021 Griswold
- 2018/0283063 A1\* 10/2018 O’Kane ..... E05C 17/365
- 2020/0300010 A1\* 9/2020 Doherty ..... E05C 17/365

\* cited by examiner

*Primary Examiner* — Doris Clark

(74) *Attorney, Agent, or Firm* — Rumit Ranjit Kanakia

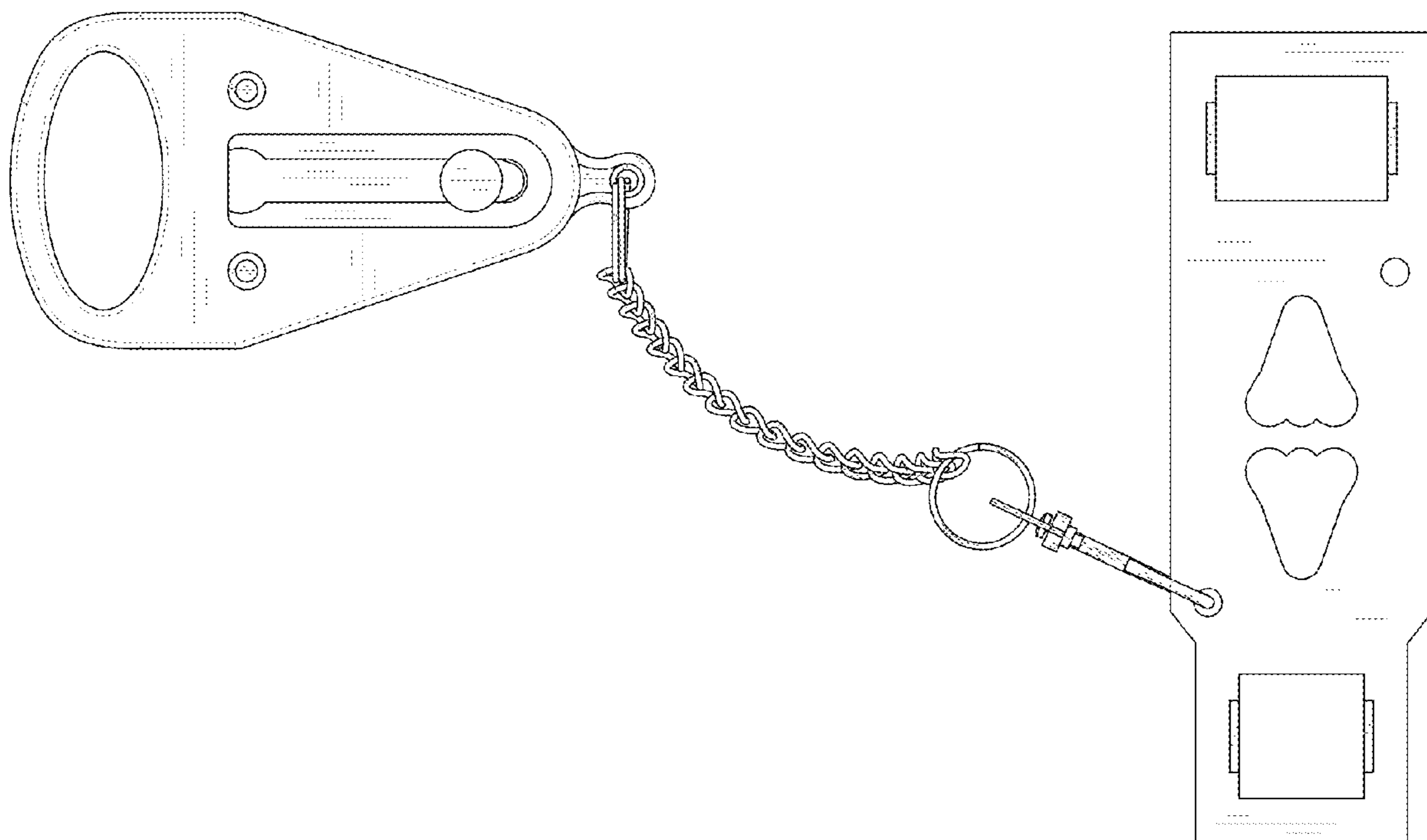
(57) **CLAIM**

The ornamental design for a portable door lock, as shown and described.

**DESCRIPTION**

FIG. 1 is a front elevational view of a portable door lock showing my new design;  
 FIG. 2 is a rear elevational view thereof; and  
 FIG. 3 is a left side view thereof;  
 FIG. 4 is a right side view thereof;  
 FIG. 5 is a top plan view thereof;  
 FIG. 6 is a bottom plan view thereof;  
 FIG. 7 is a perspective view of a portable door lock showing my new design; and,  
 FIG. 8 is another perspective view thereof.

**1 Claim, 8 Drawing Sheets**



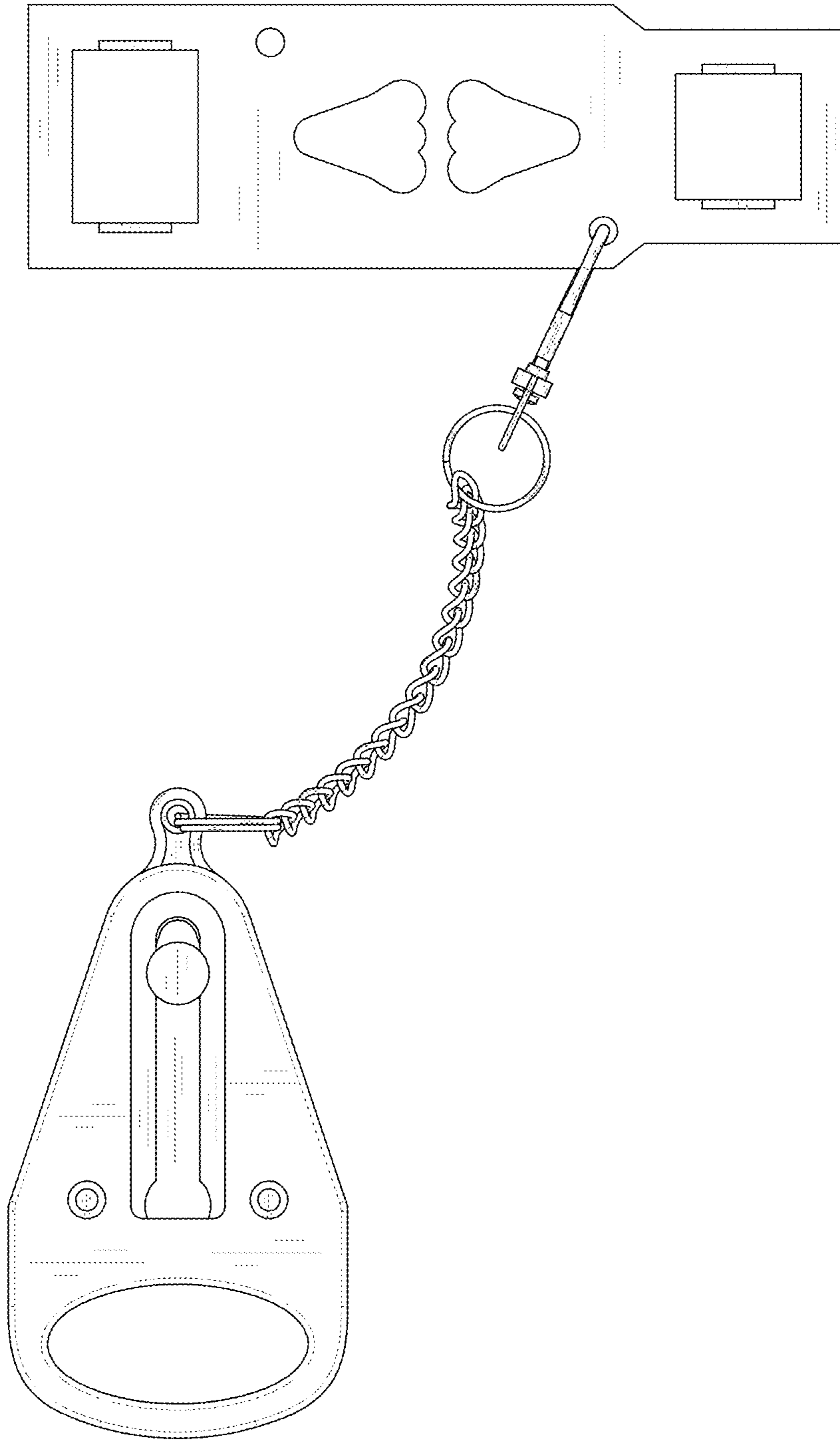


FIG. 1

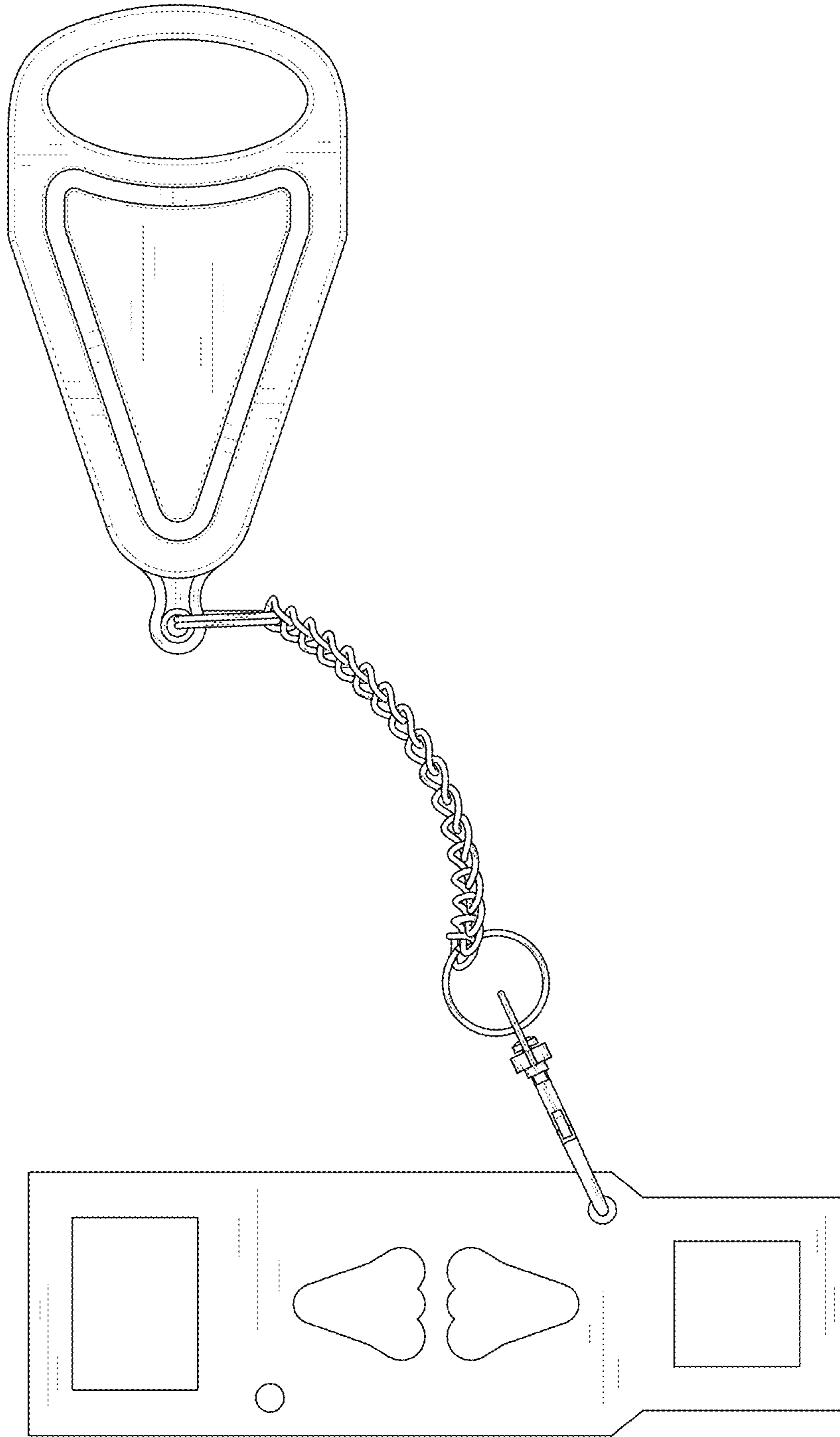


FIG. 2

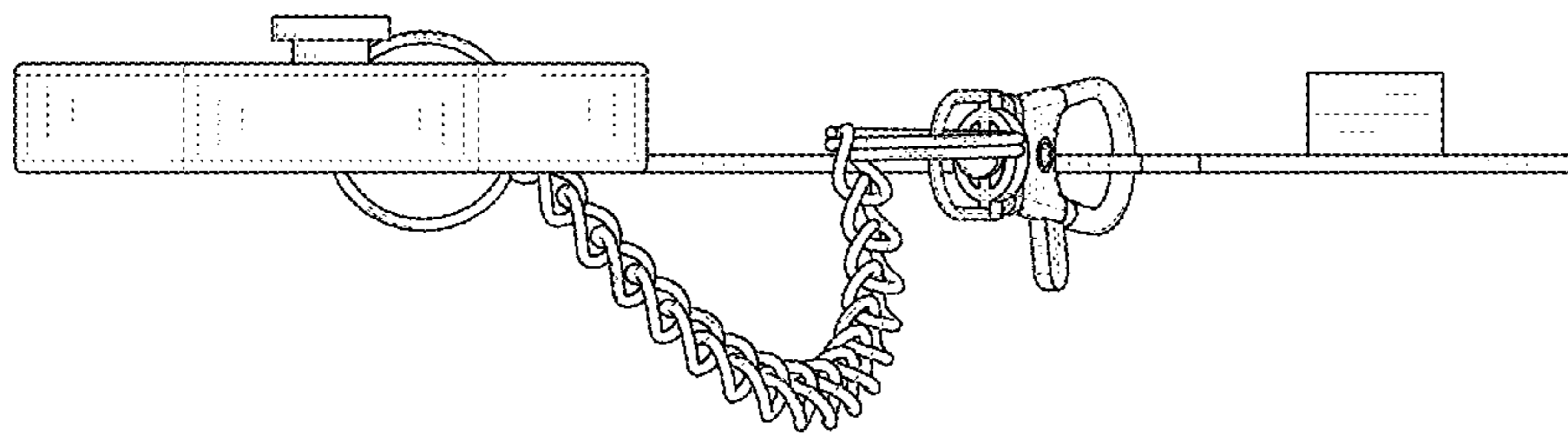


FIG. 3

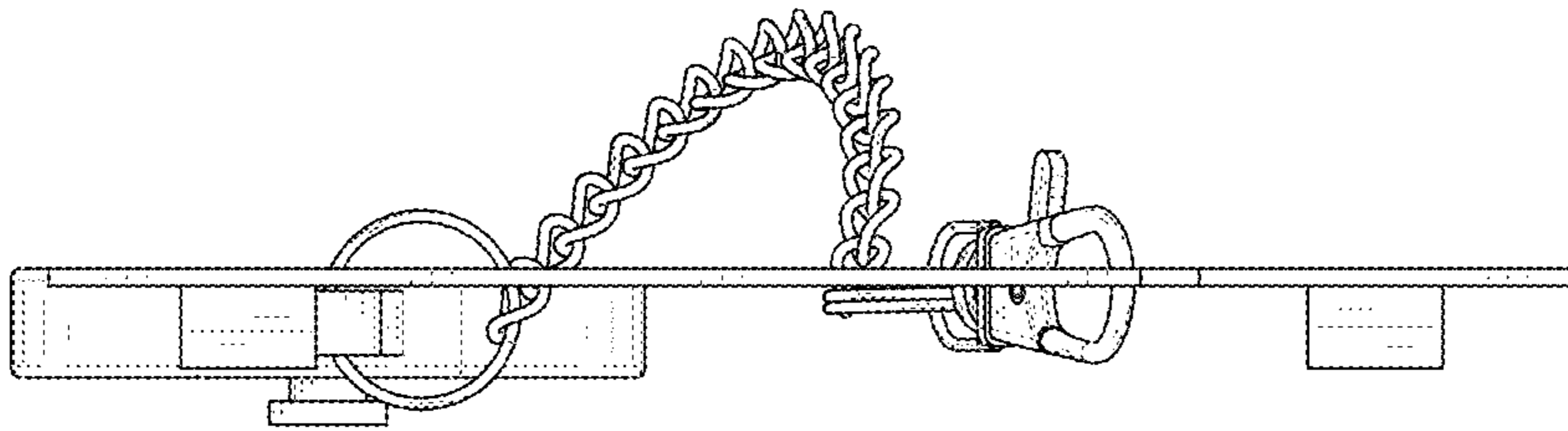


FIG.4

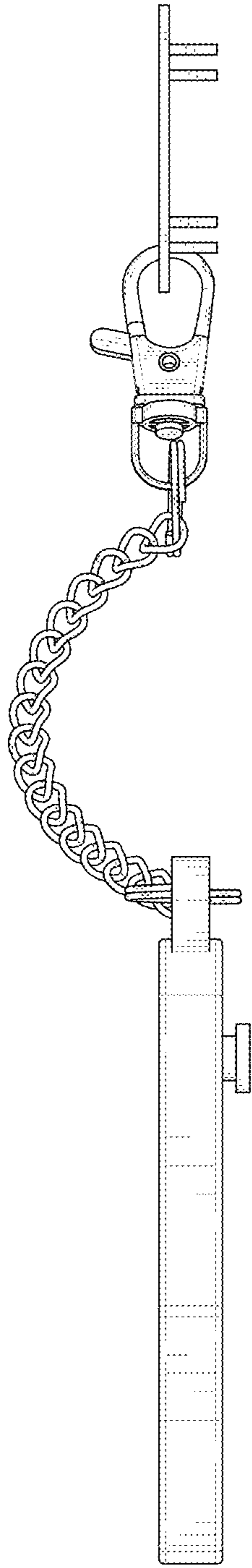


FIG. 5

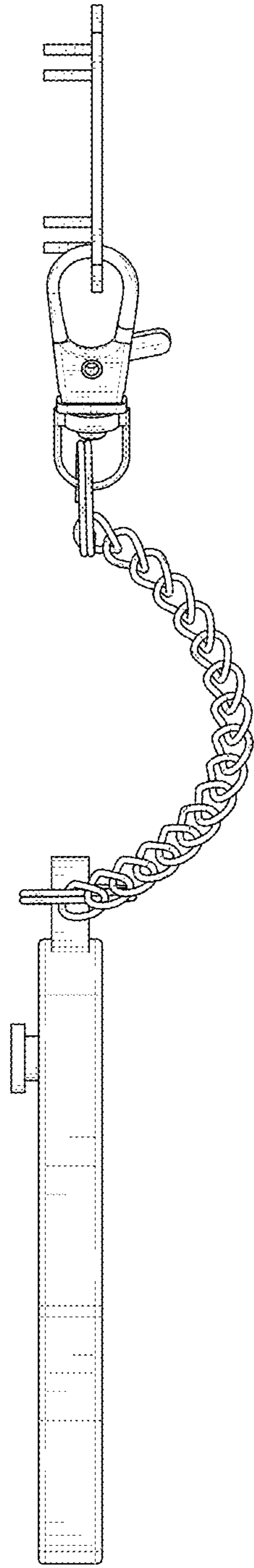


FIG. 6

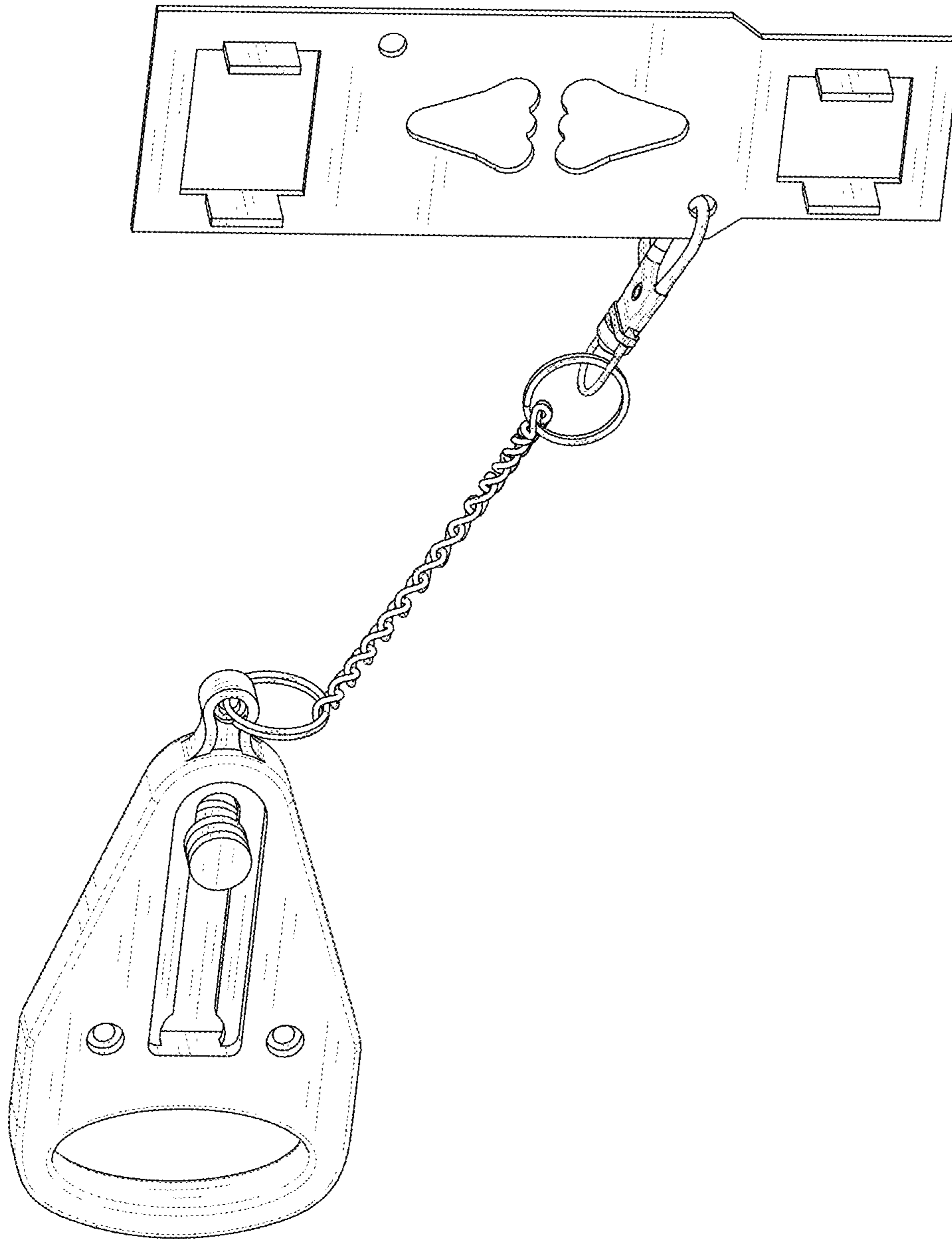


FIG. 7



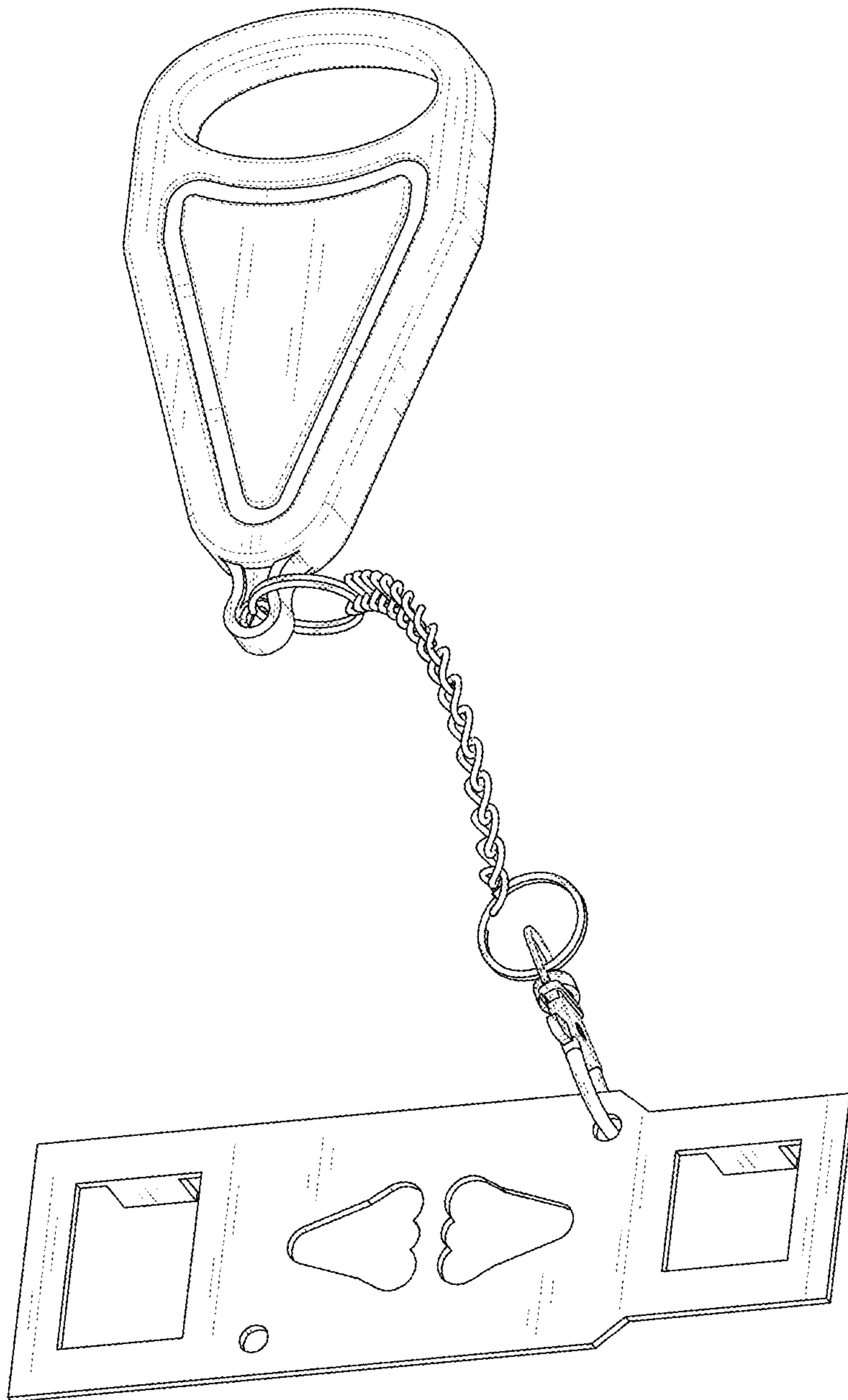


FIG. 8