



US00D947647S

(12) **United States Design Patent**
Cosby et al.

(10) **Patent No.:** **US D947,647 S**
(45) **Date of Patent:** **** Apr. 5, 2022**

- (54) **HINGE WITH COVER**
- (71) Applicant: **D & D Group Pty Ltd**, Frenchs Forest (AU)
- (72) Inventors: **Scott Anthony Cosby**, Narraweena (AU); **James Scarlett**, Springwood (AU); **Tom Wilson**, Manly (AU)
- (73) Assignee: **D & D Group Pty Ltd**, Frenchs Forest (AU)
- (**) Term: **15 Years**
- (21) Appl. No.: **29/751,718**
- (22) Filed: **Sep. 23, 2020**

- 5,765,263 A * 6/1998 Bolinas E05D 11/105
16/342
- D436,515 S * 1/2001 Sonntag D8/328
- 6,721,992 B2 * 4/2004 Cotton E05D 11/0054
16/250
- D584,130 S * 1/2009 Bertani D8/328
- D635,433 S * 4/2011 Le D8/327
- D649,009 S * 11/2011 Caffin D8/323
- 8,151,414 B2 * 4/2012 Baudasse B64G 1/222
16/227
- D661,173 S * 6/2012 Caffin D8/323
- D673,024 S * 12/2012 Caffin D8/323
- D719,009 S * 12/2014 Russo D8/323
- D719,011 S * 12/2014 Russo D8/323
- D747,949 S * 1/2016 Lindo D8/323
- D842,679 S * 3/2019 Todd, Jr. D8/323
- D859,127 S * 9/2019 Todd, Jr. D8/323
- 10,641,025 B2 * 5/2020 Stuart E05F 3/20
- D919,407 S * 5/2021 Lindo D8/323
- D934,656 S * 11/2021 Cosby D8/323

(30) **Foreign Application Priority Data**

Sep. 8, 2020 (AU) 202014914

(51) **LOC (13) Cl.** **08-06**

(52) **U.S. Cl.**
USPC **D8/323**

(58) **Field of Classification Search**
USPC D8/323, 327, 328, 329; 16/250, 251
CPC .. E05D 1/00; E05D 11/06; E05D 5/11; E05D
3/02; E05D 1/02; E05D 11/082; E05D
5/12; A47K 13/12
See application file for complete search history.

(56) **References Cited**

U.S. PATENT DOCUMENTS

- 4,163,303 A * 8/1979 Hanna E05D 1/02
16/227
- 4,630,333 A * 12/1986 Vickers E05D 11/082
16/338
- 5,412,842 A * 5/1995 Riblett E05D 5/12
16/250

* cited by examiner

Primary Examiner — Cynthia R Underwood

(74) *Attorney, Agent, or Firm* — Kelly & Kelley, LLP

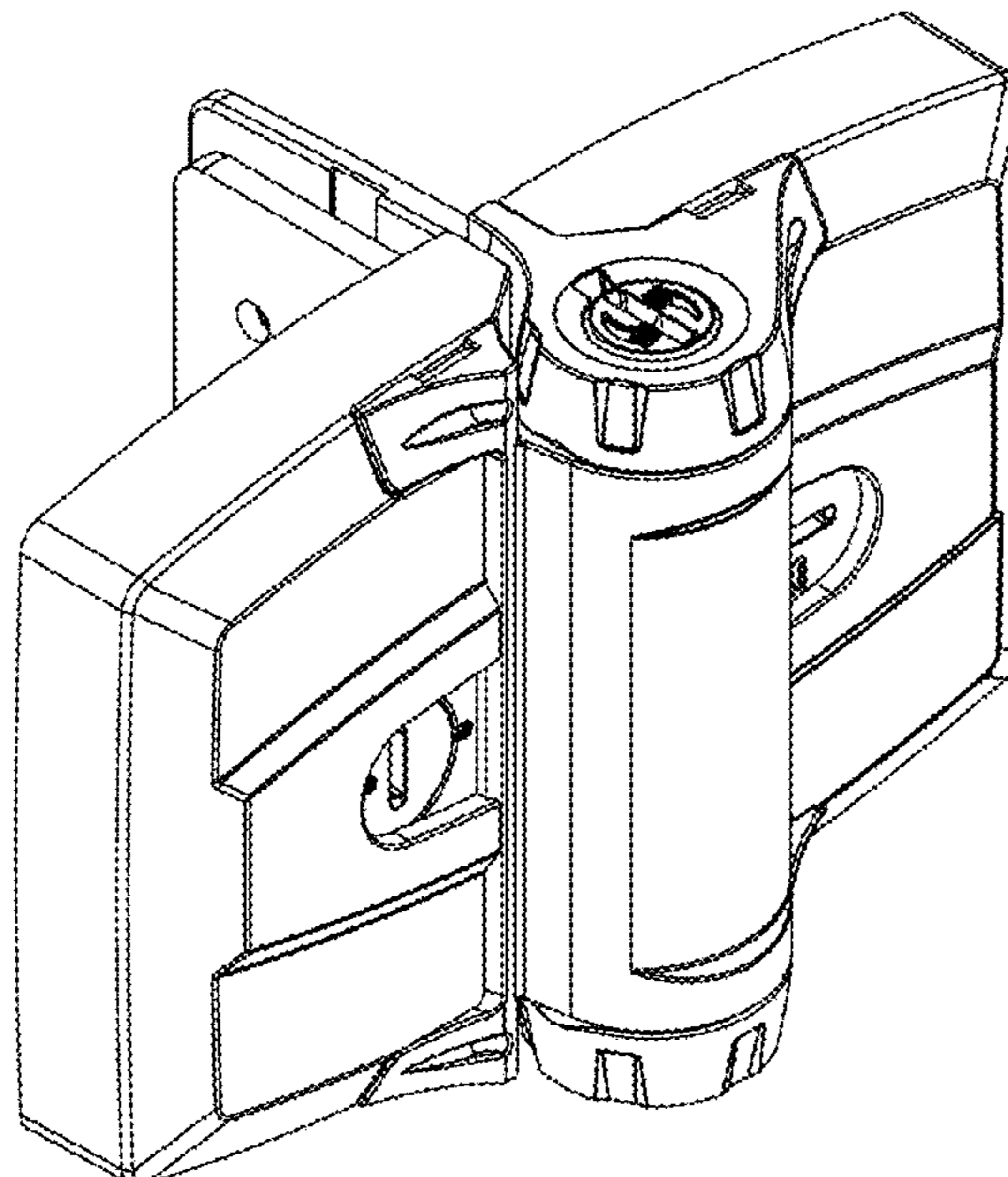
(57) **CLAIM**

The ornamental design for a hinge with cover, as shown.

DESCRIPTION

FIG. 1 is a perspective view of an embodiment of a hinge with cover;
 FIG. 2 is an opposite perspective view of the hinge with cover of FIG. 1;
 FIG. 3 is a front view of the hinge with cover of FIG. 1;
 FIG. 4 is a side view of the hinge with cover of FIG. 1;
 FIG. 5 is an opposite side view of the hinge with cover of FIG. 1;
 FIG. 6 is a plan view of the hinge with cover of FIG. 1; and,
 FIG. 7 is a bottom view of the hinge with cover of FIG. 1.

1 Claim, 7 Drawing Sheets



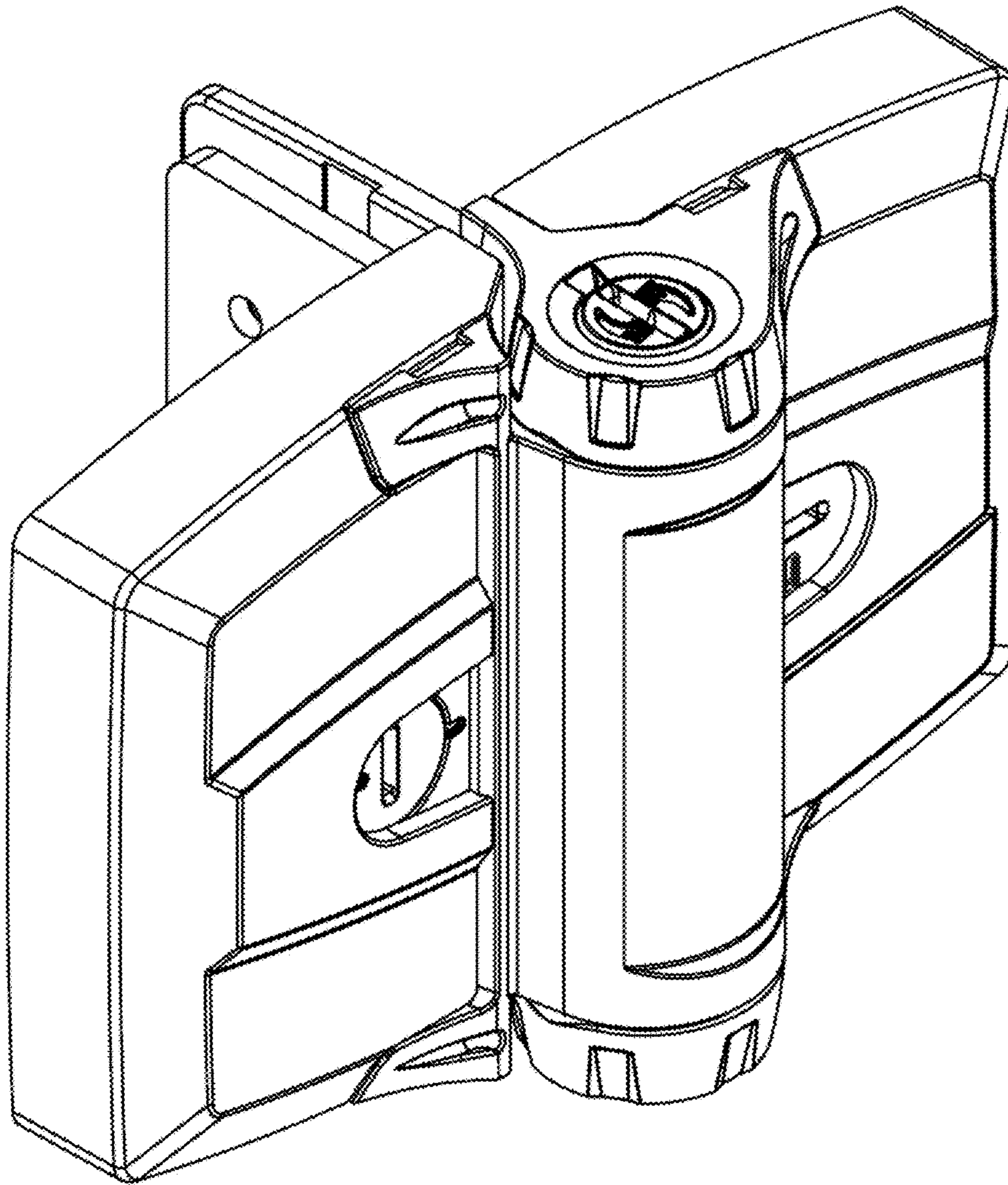


Fig. 1

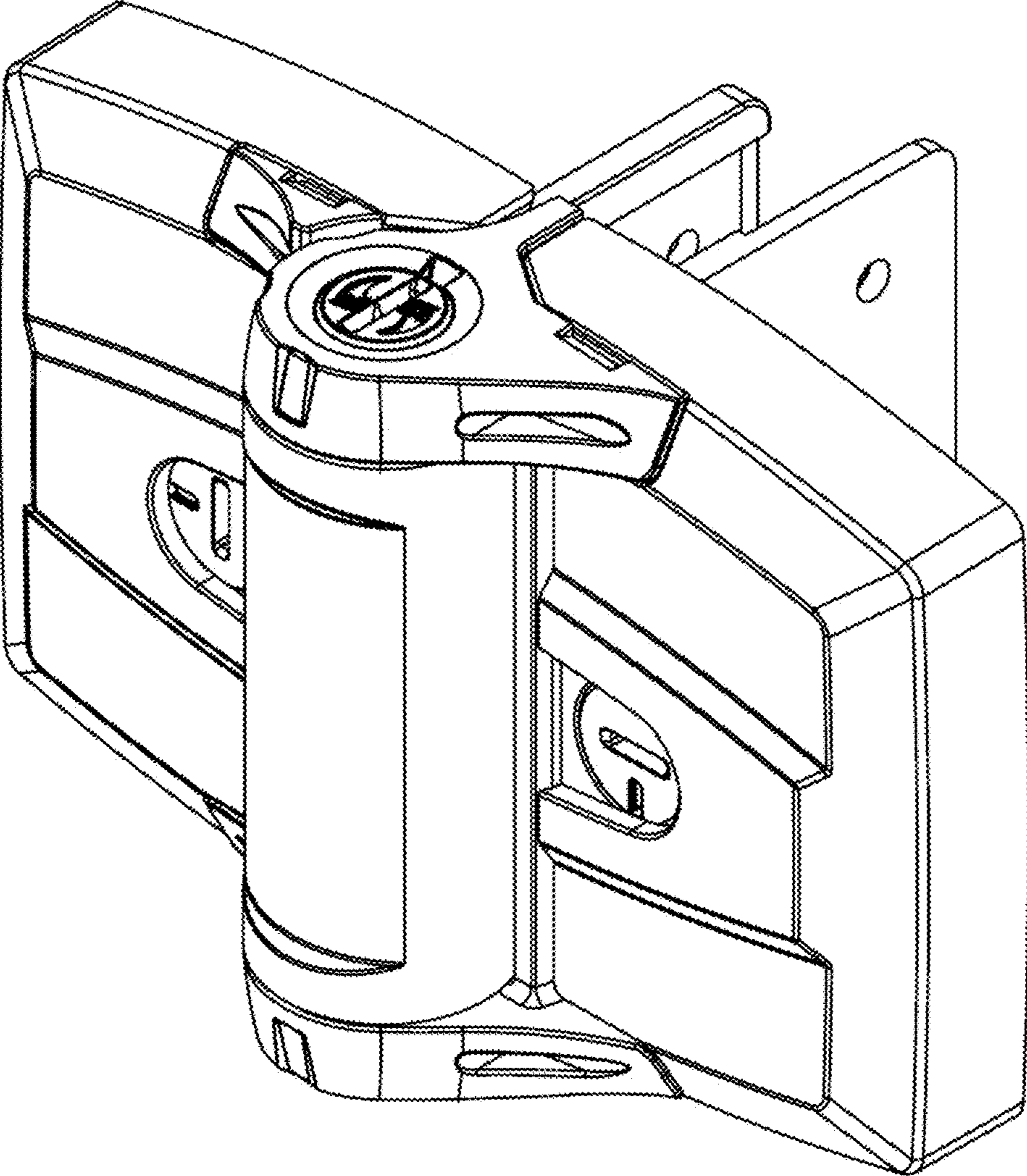


Fig. 2

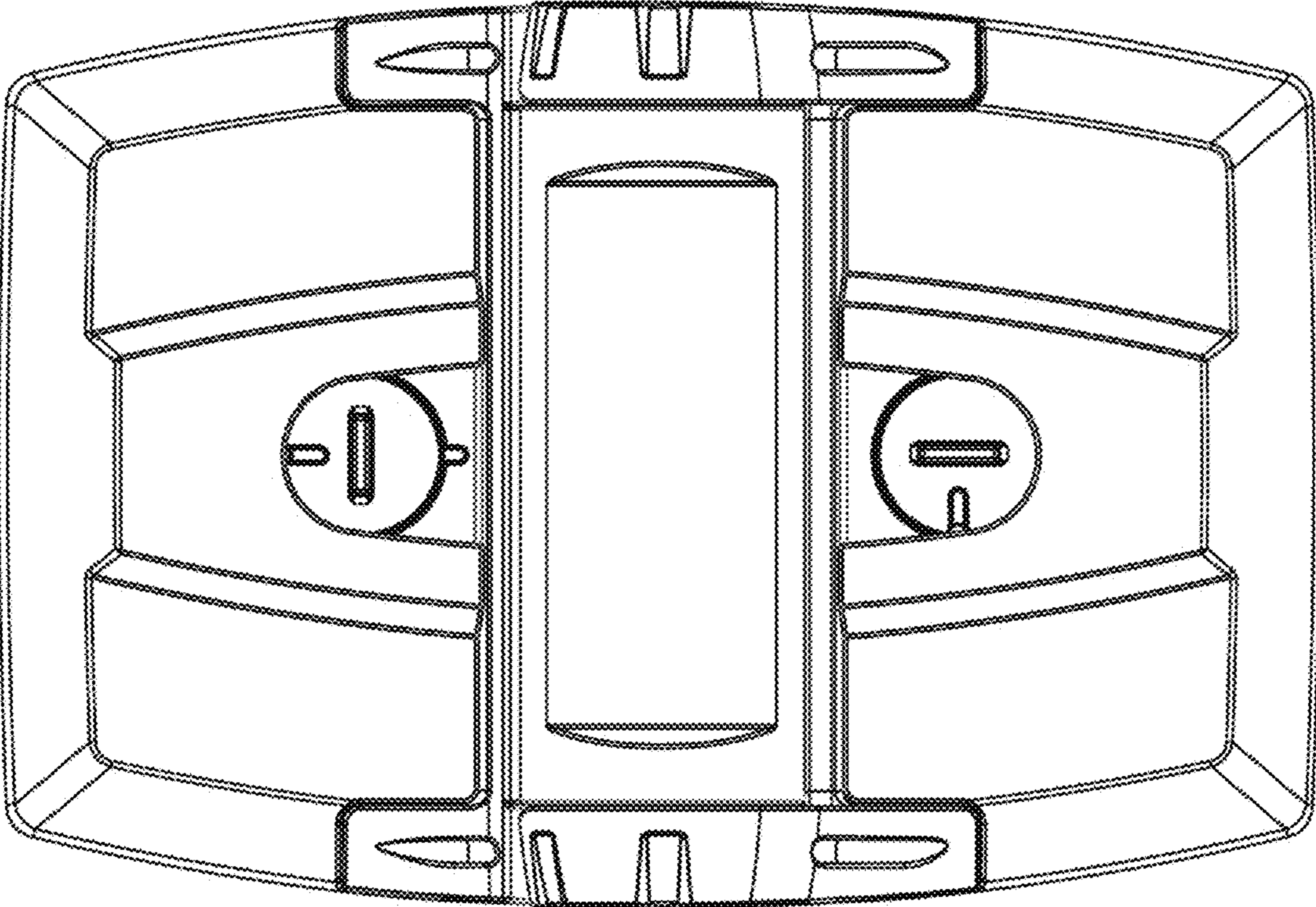


Fig. 3

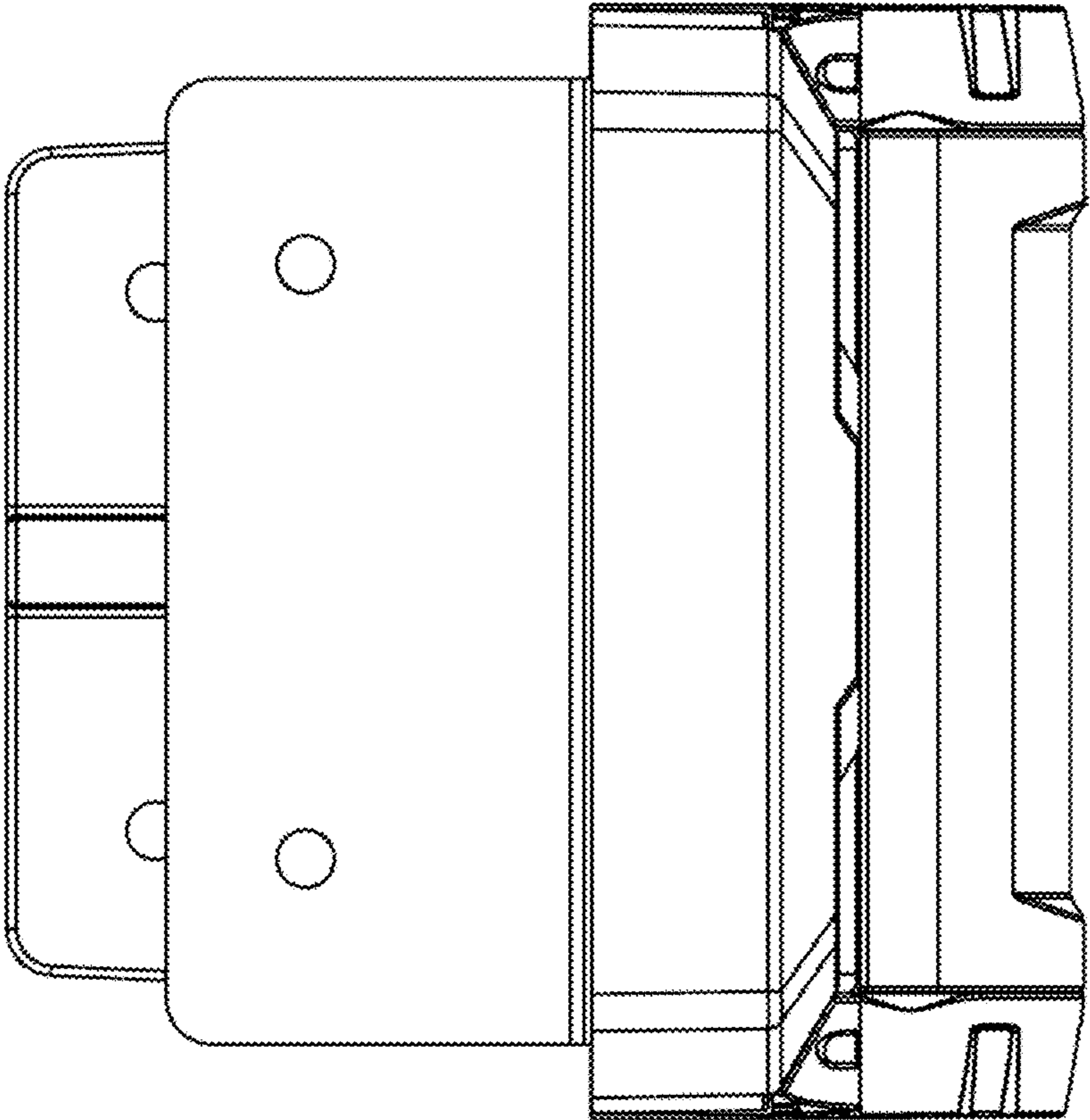


Fig. 4

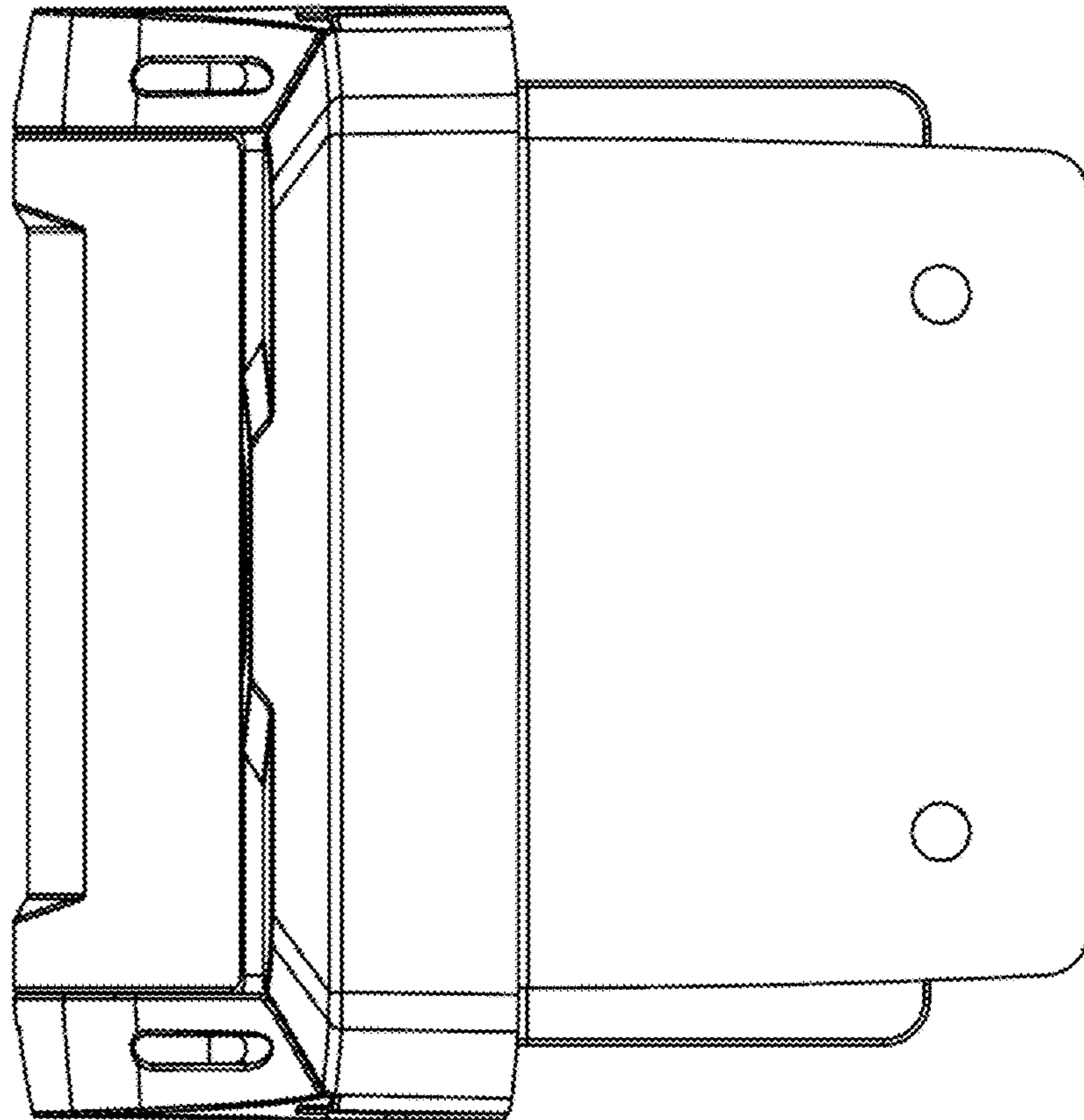


Fig. 5

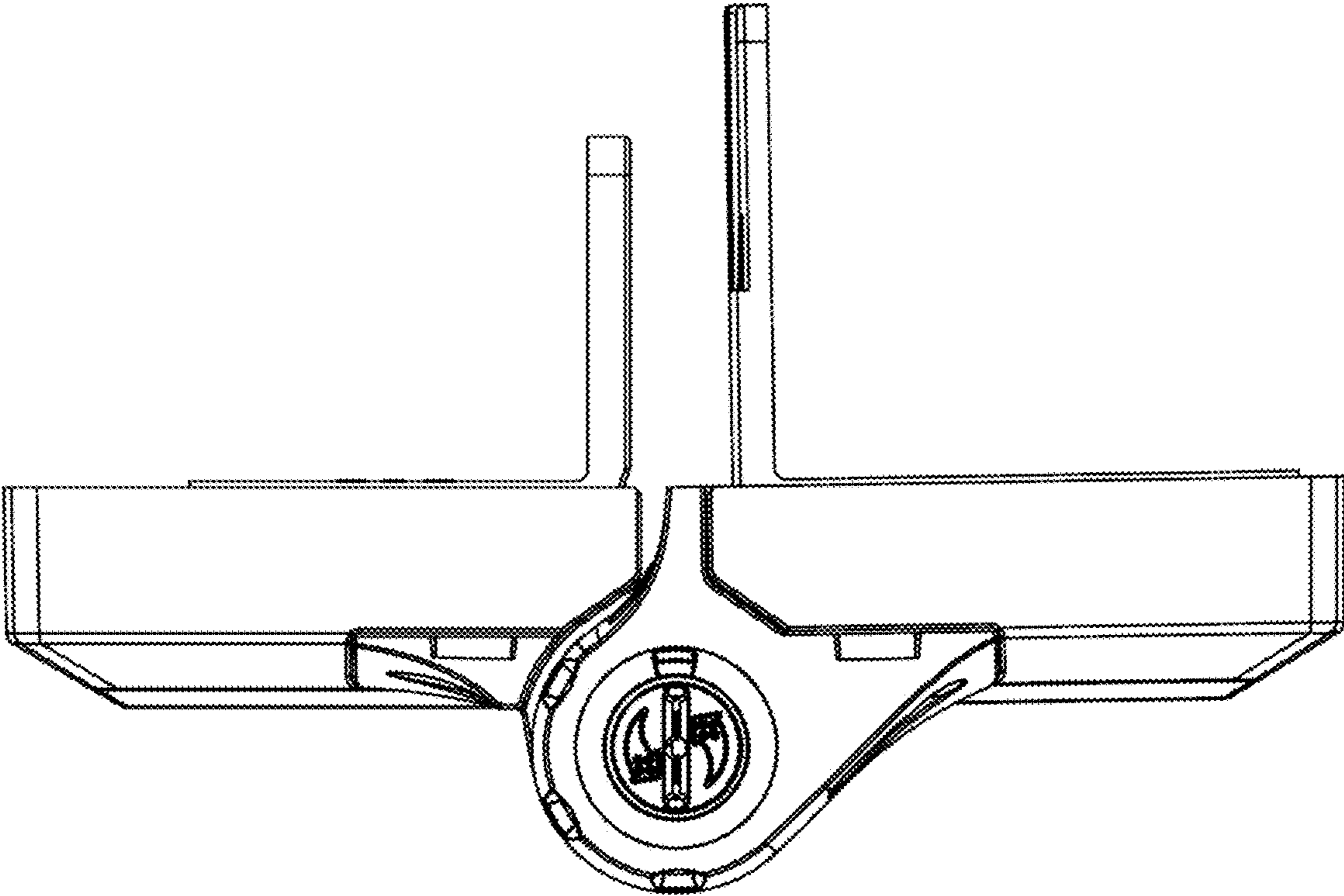


Fig. 6

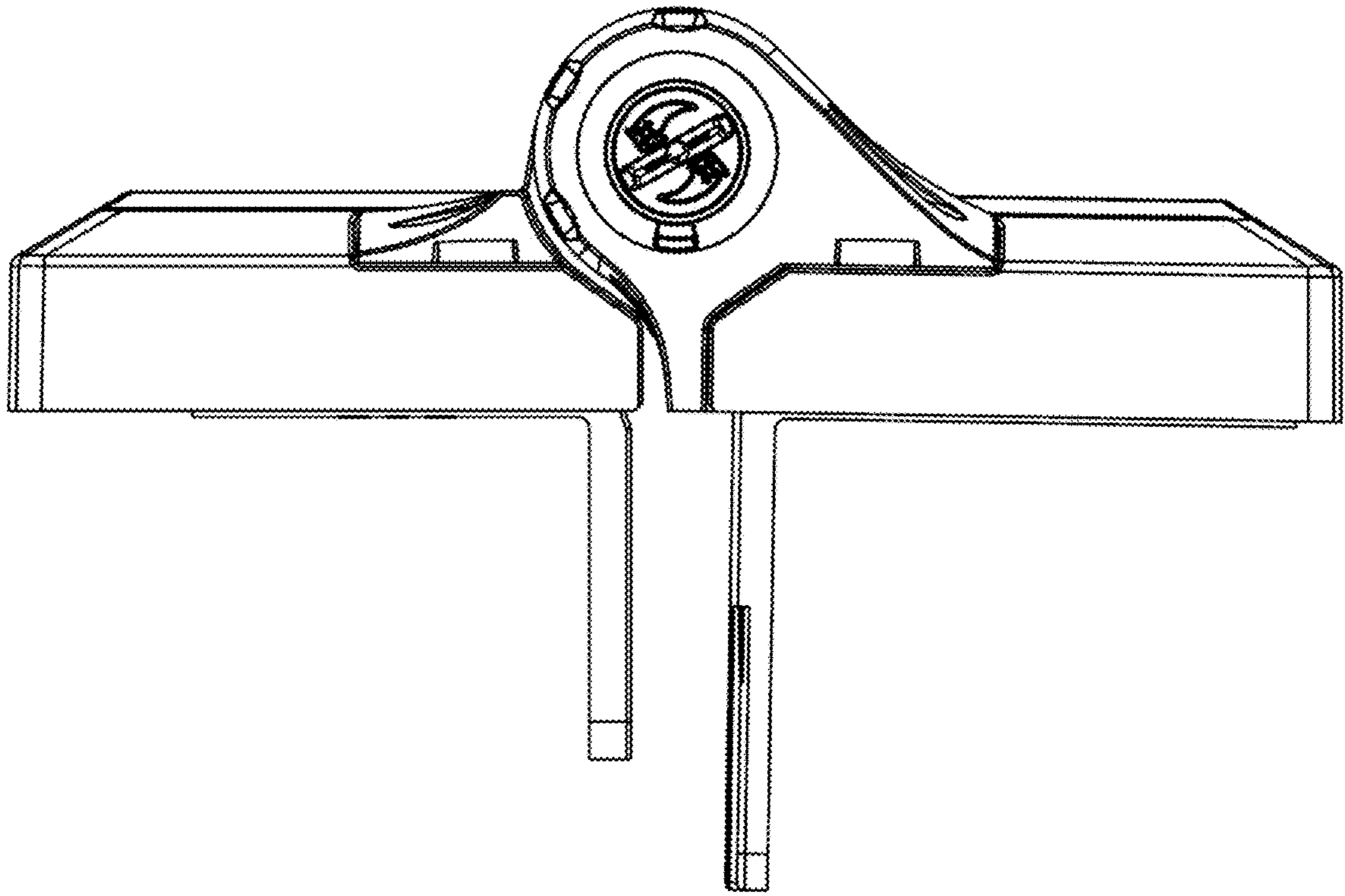


Fig. 7