



US00D947646S

(12) **United States Design Patent**
Cosby et al.

(10) **Patent No.:** **US D947,646 S**
(45) **Date of Patent:** **** Apr. 5, 2022**

- (54) **HINGE**
- (71) Applicant: **D & D Group Pty Ltd**, Frenchs Forest (AU)
- (72) Inventors: **Scott Anthony Cosby**, Narraweena (AU); **James Scarlett**, Springwood (AU); **Tom Wilson**, Manly (AU)
- (73) Assignee: **D & D Group Pty Ltd**, Frenchs Forest (AU)
- (**) Term: **15 Years**
- (21) Appl. No.: **29/751,546**
- (22) Filed: **Sep. 22, 2020**
- (30) **Foreign Application Priority Data**

5,412,842 A *	5/1995	Riblett	E05D 5/12
				16/250
5,765,263 A *	6/1998	Bolinas	E05D 11/105
				16/342
D436,515 S *	1/2001	Sonntag	D8/328
6,721,992 B2 *	4/2004	Cotton	E05D 11/0054
				16/250
D584,130 S *	1/2009	Bertani	D8/328
D635,433 S *	4/2011	Le	D8/327
D649,009 S *	11/2011	Caffin	D8/323
8,151,414 B2 *	4/2012	Baudasse	B64G 1/222
				16/227
D661,173 S *	6/2012	Caffin	D8/323
D673,024 S *	12/2012	Caffin	D8/323
D719,009 S *	12/2014	Russo	D8/323
D719,011 S *	12/2014	Russo	D8/323
D747,949 S *	1/2016	Lindo	D8/323
D842,679 S *	3/2019	Todd, Jr.	D8/323
D859,127 S *	9/2019	Todd, Jr.	D8/323
10,641,025 B2 *	5/2020	Stuart	E05F 3/20
D919,407 S *	5/2021	Lindo	D8/323
D934,656 S *	11/2021	Cosby	D8/323

- Sep. 8, 2020 (AU) 202014911
- (51) **LOC (13) Cl.** **08-06**
- (52) **U.S. Cl.**
USPC **D8/323**
- (58) **Field of Classification Search**
USPC D8/323, 327, 328, 329; 16/250, 251
CPC .. E05D 1/00; E05D 11/06; E05D 5/11; E05D 3/02; E05D 1/02; E05D 11/082; E05D 5/12; A47K 13/12
See application file for complete search history.

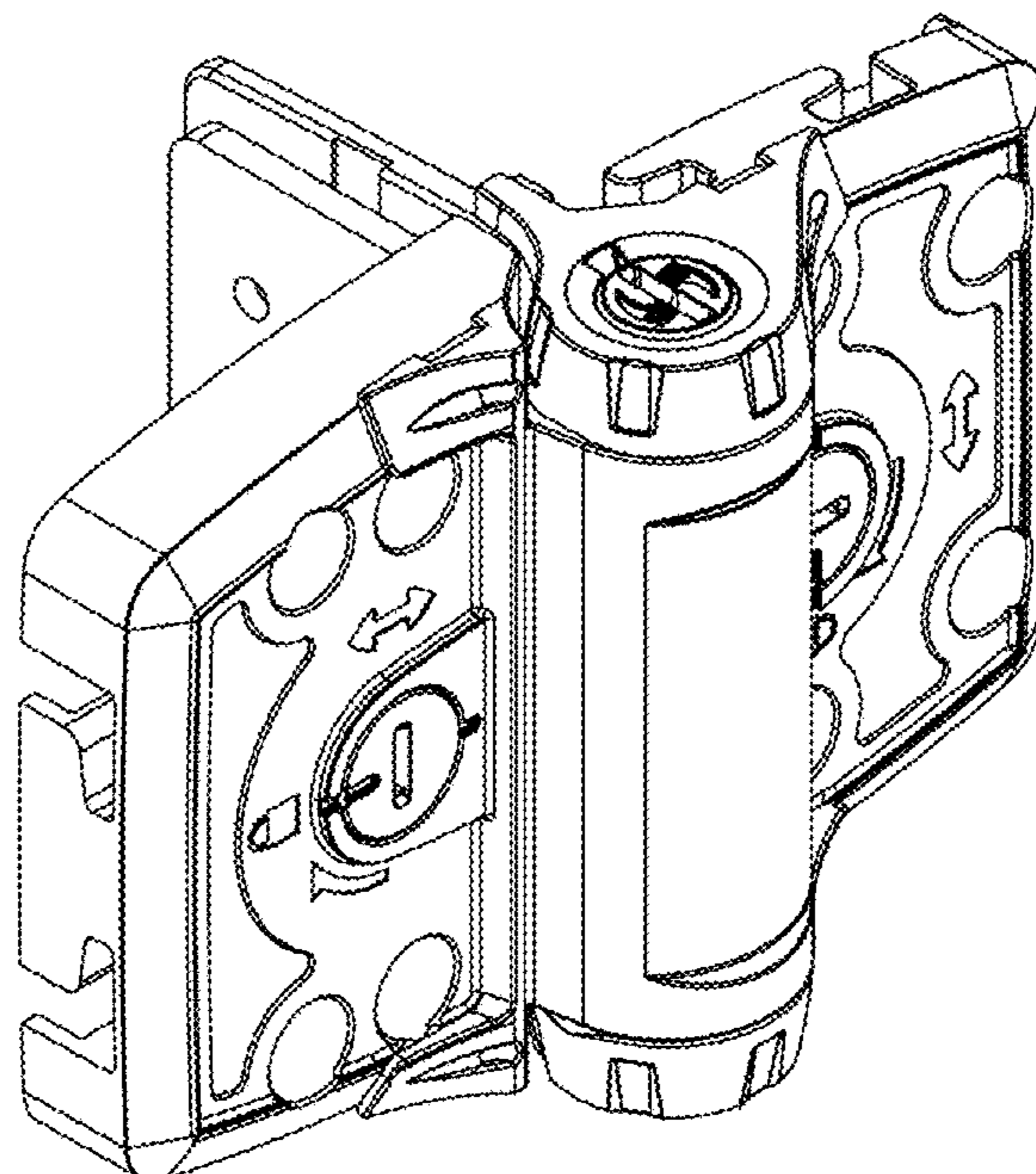
- (56) **References Cited**
U.S. PATENT DOCUMENTS
4,163,303 A * 8/1979 Hanna E05D 1/02
16/227
4,630,333 A * 12/1986 Vickers E05D 11/082
16/338

* cited by examiner
Primary Examiner — Cynthia R Underwood
(74) *Attorney, Agent, or Firm* — Kelly & Kelley, LLP

(57) **CLAIM**
The ornamental design for a hinge, as shown.

DESCRIPTION
FIG. 1 is a perspective view of an embodiment of a hinge; FIG. 2 is an opposite perspective view of the hinge of FIG. 1; FIG. 3 is a front view of the hinge of FIG. 1; FIG. 4 is a side view of the hinge of FIG. 1; FIG. 5 is an opposite side view of the hinge of FIG. 1; FIG. 6 is a plan view of the hinge of FIG. 1; and, FIG. 7 is a bottom view of the hinge of FIG. 1.

1 Claim, 7 Drawing Sheets



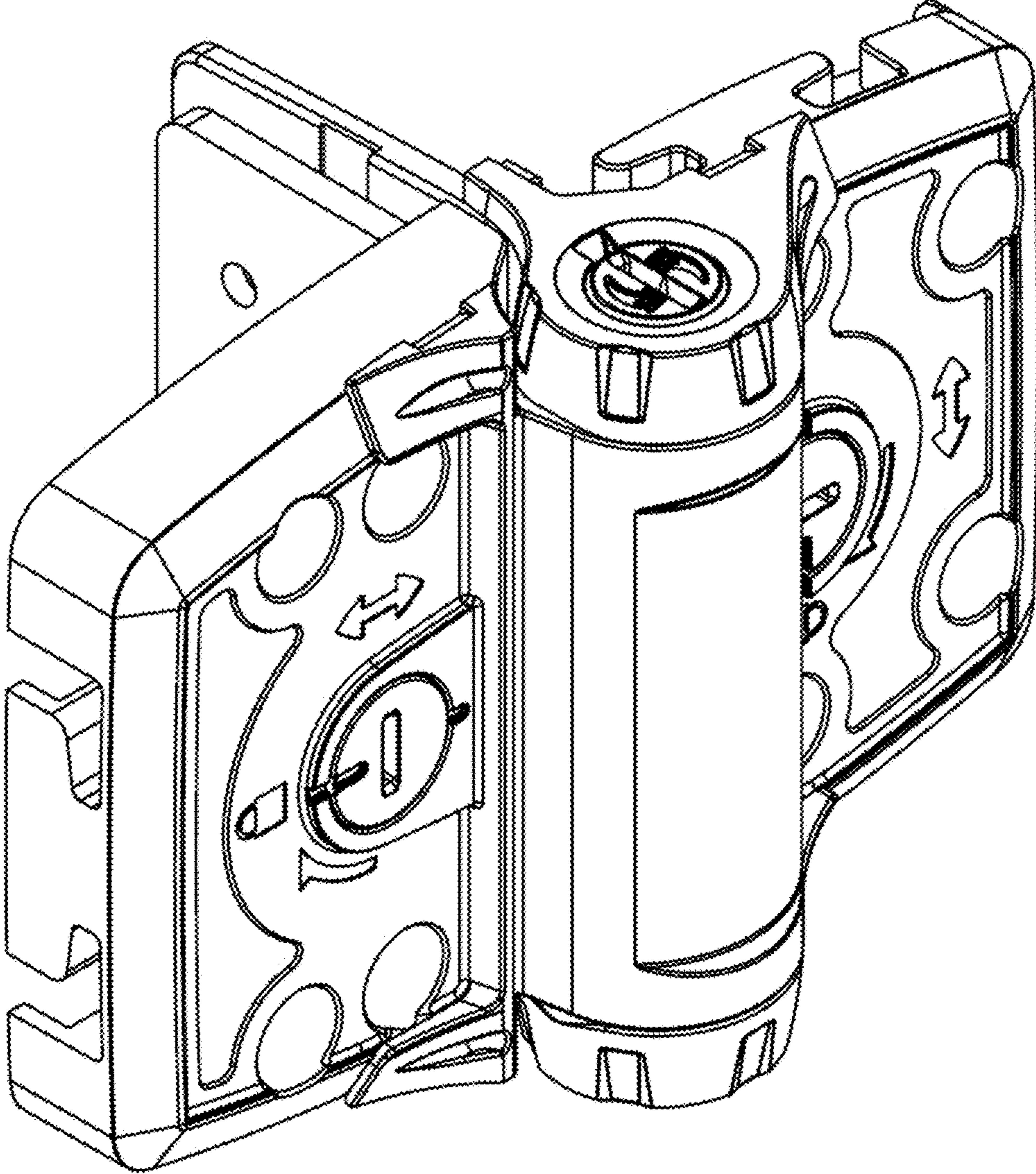


Fig. 1

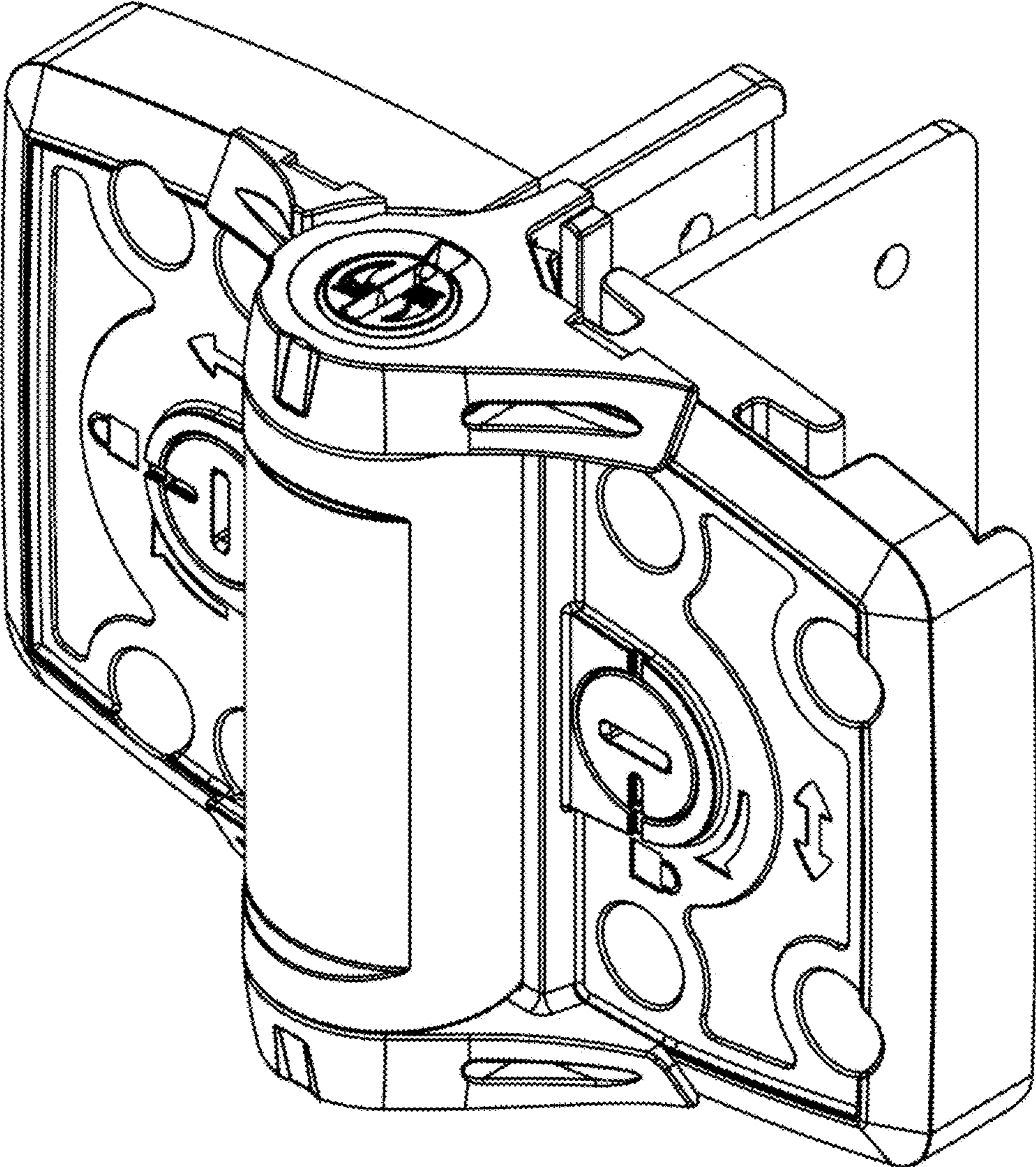


Fig. 2

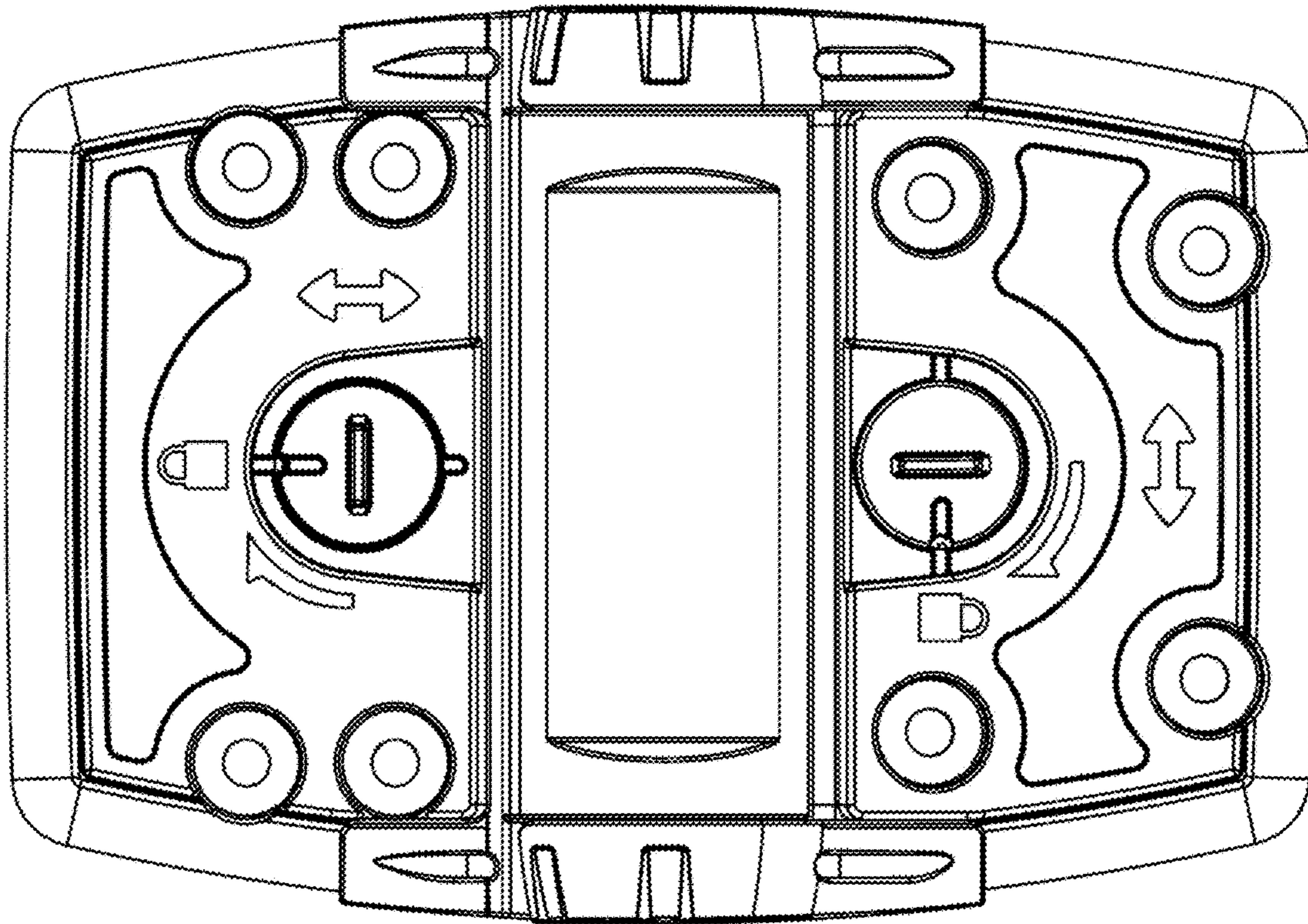


Fig. 3

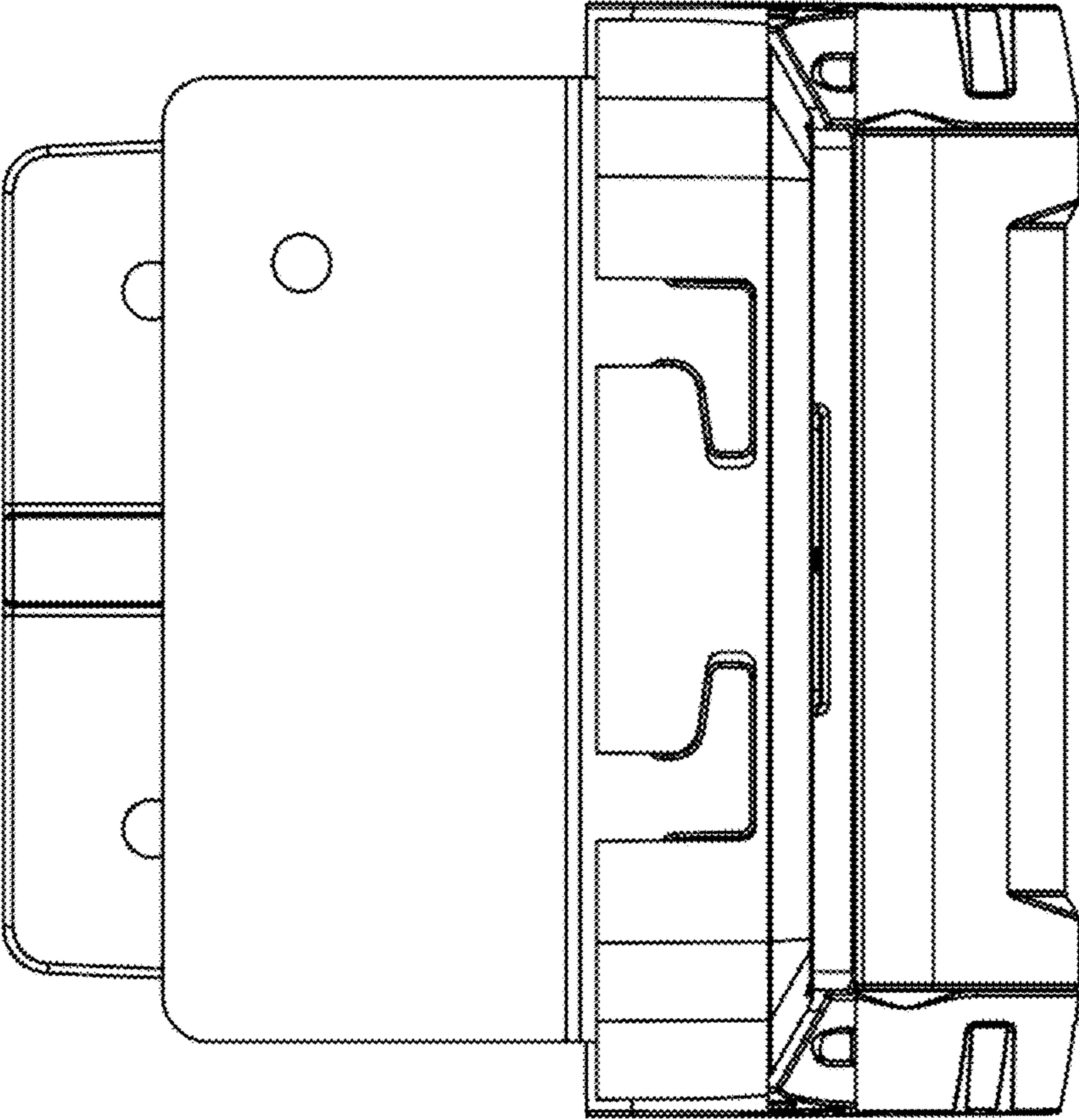


Fig. 4

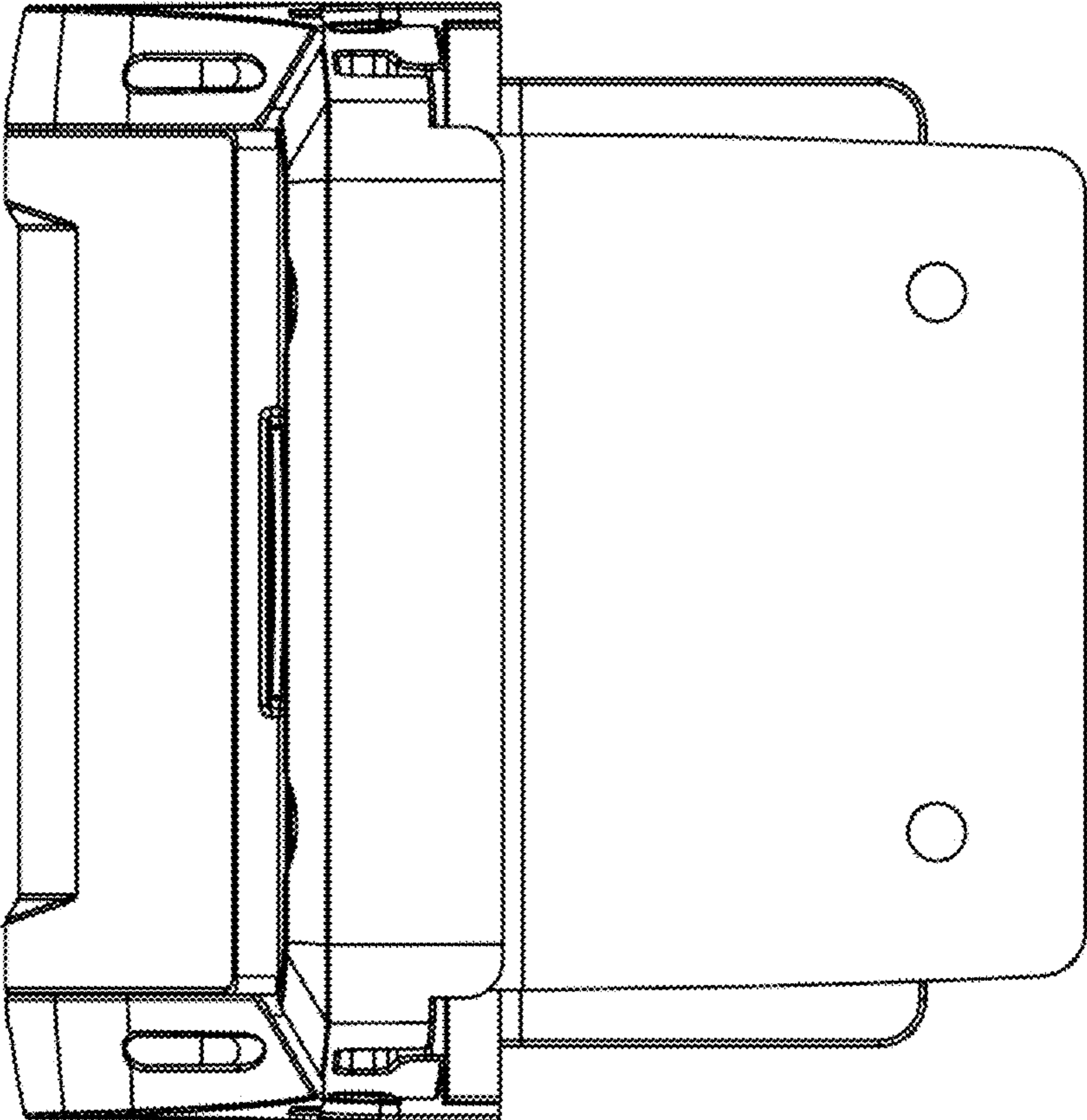


Fig. 5

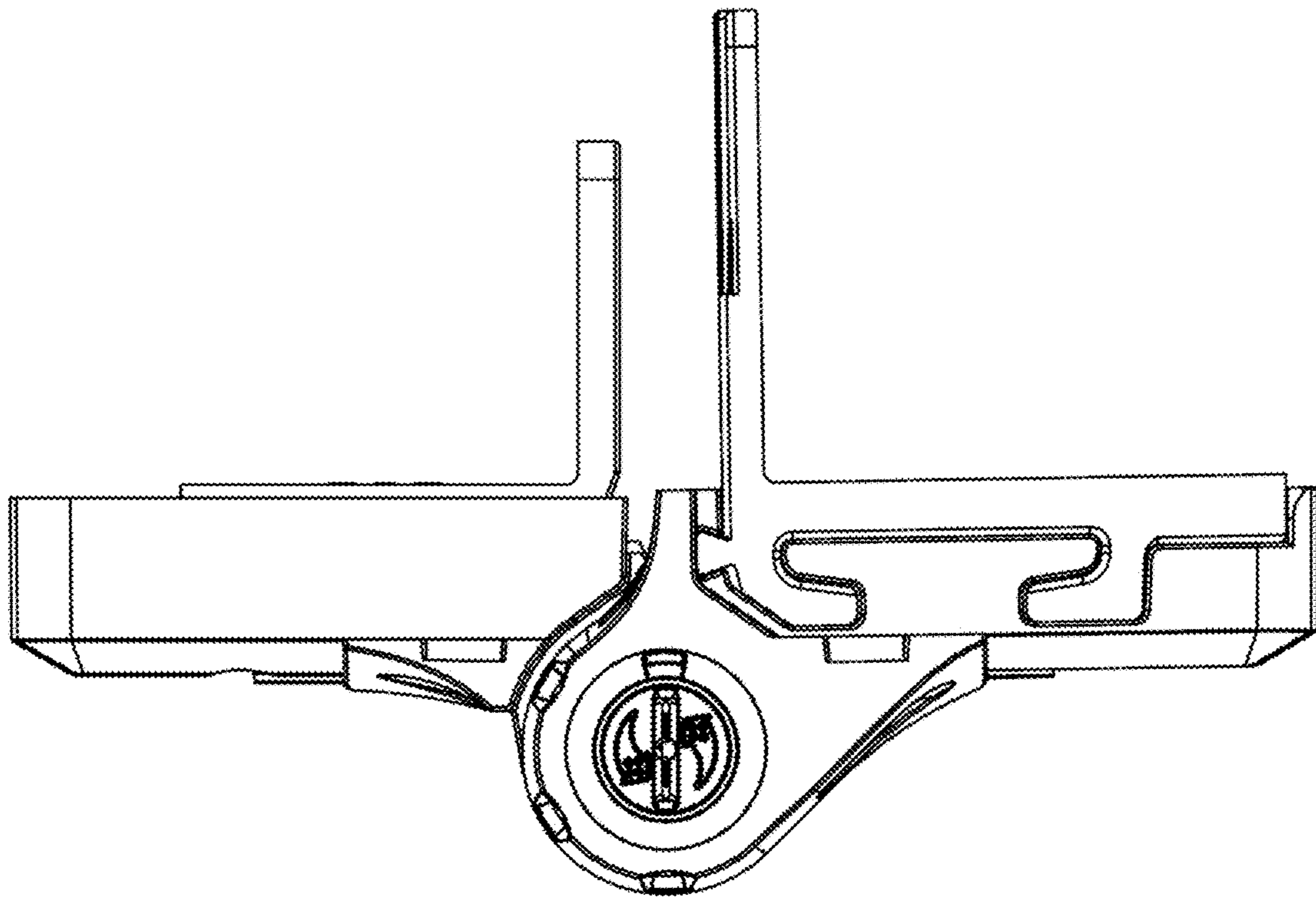


Fig. 6

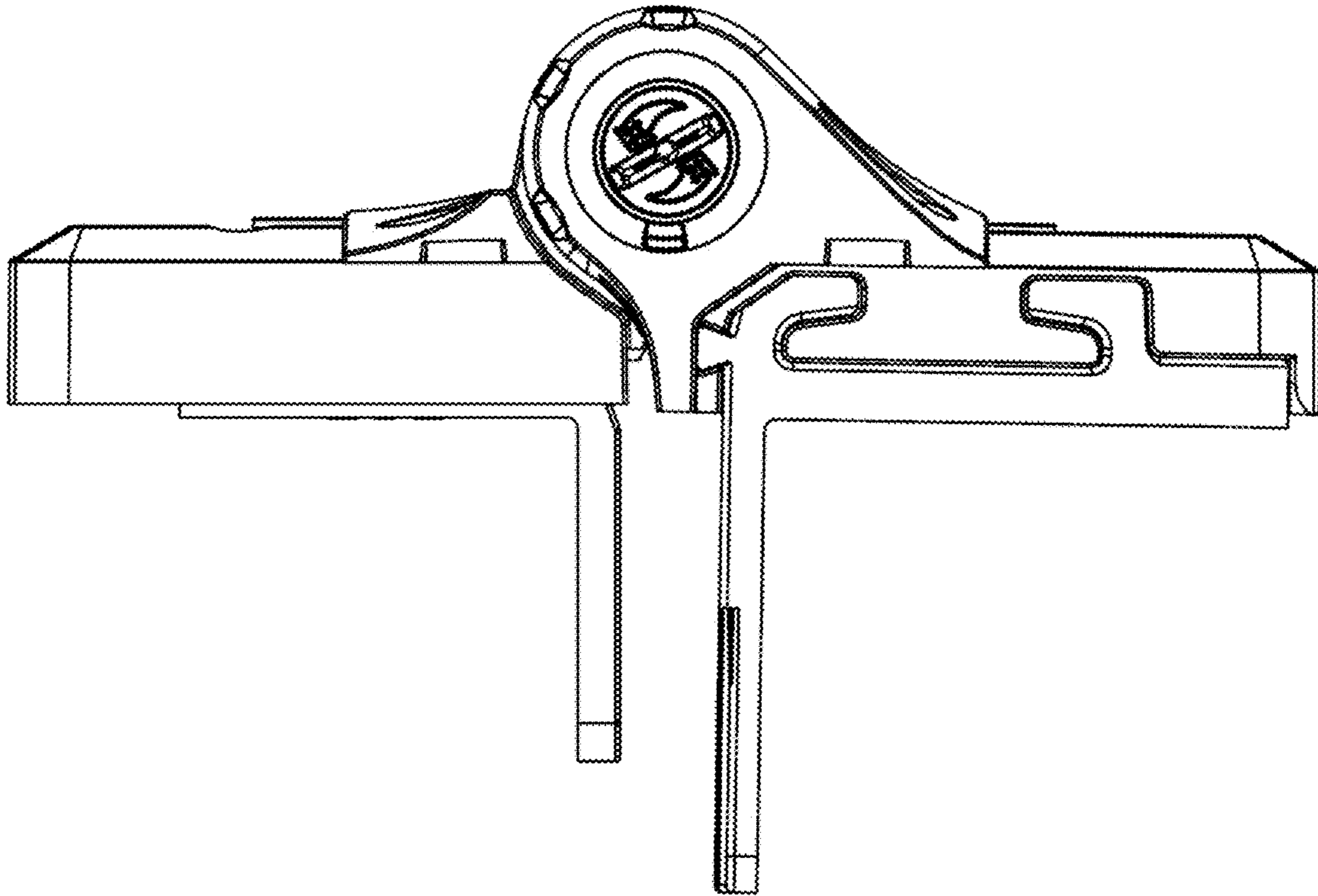


Fig. 7