



US00D947645S

(12) **United States Design Patent** (10) **Patent No.:** **US D947,645 S**
Noon et al. (45) **Date of Patent:** **** Apr. 5, 2022**

(54) **DOOR LEVER**

OTHER PUBLICATIONS

(71) Applicant: **TAYMOR INDUSTRIES LTD.**, Delta (CA)

Canadian Patent Application No. 198531, Office Action dated Jan. 27, 2022.

(72) Inventors: **Jane Louise Noon**, Vancouver (CA);
Alan Wisniewski, Clarksburg (CA)

Primary Examiner — Lauren R Calve

(74) *Attorney, Agent, or Firm* — Borden Ladner Gervais LLP; Curtis Behmann

(73) Assignee: **TAYMORE INDUSTRIES LTD.**, Delta (CA)

(57) **CLAIM**

(**) Term: **15 Years**

The ornamental design of a door lever, as shown and described.

(21) Appl. No.: **29/753,386**

(22) Filed: **Sep. 30, 2020**

DESCRIPTION

(51) **LOC (13) Cl.** **08-06**

(52) **U.S. Cl.**
USPC **D8/308**

(58) **Field of Classification Search**
USPC D8/300–302, 307–309, 310, 311,
D8/DIG. 10; D23/250, 252
CPC Y10T 16/44; Y10T 74/20612; Y10T
74/20732; Y10T 16/458; Y10T 16/498;
Y10T 16/469; Y10T 16/476; Y10T
74/20744; Y10T 74/20864; Y10T
16/4628; Y10T 74/20642; Y10T 16/473;
Y10T 74/20762; Y10T 74/2042; Y10T
74/20828; Y10T 16/459; Y10T 16/4713;
Y10T 74/2014; Y10T 16/50; Y10T
74/20438; Y10T 74/20582; Y10T
74/20738; Y10T 16/48; Y10T 74/20618;
Y10T 74/20684; Y10T 74/20624; Y10T
74/20468; Y10T 16/61; Y10T 16/4719;
Y10T 16/86; Y10S

FIG. 1 is a front perspective view of a door lever showing the design according to a first embodiment;
FIG. 2 is a front view thereof;
FIG. 3 is a rear view thereof;
FIG. 4 is a left side view thereof;
FIG. 5 is a right side view thereof;
FIG. 6 is a top view thereof;
FIG. 7 is a bottom view thereof;
FIG. 8 is a front perspective view of a door lever showing the design according to a second embodiment;
FIG. 9 is a front view thereof;
FIG. 10 is a rear view thereof;
FIG. 11 is a left side view thereof;
FIG. 12 is a right side view thereof;
FIG. 13 is a top view thereof;
FIG. 14 is a bottom view thereof;
FIG. 15 is a front perspective view of a door lever showing the design according to a third embodiment;
FIG. 16 is a front view thereof;
FIG. 17 is a rear view thereof;
FIG. 18 is a left side view thereof;
FIG. 19 is a right side view thereof;
FIG. 20 is a top view thereof; and,
FIG. 21 is a bottom view thereof.

(Continued)

The broken lines shown represent portions of the door lever that form no part of the claimed design.

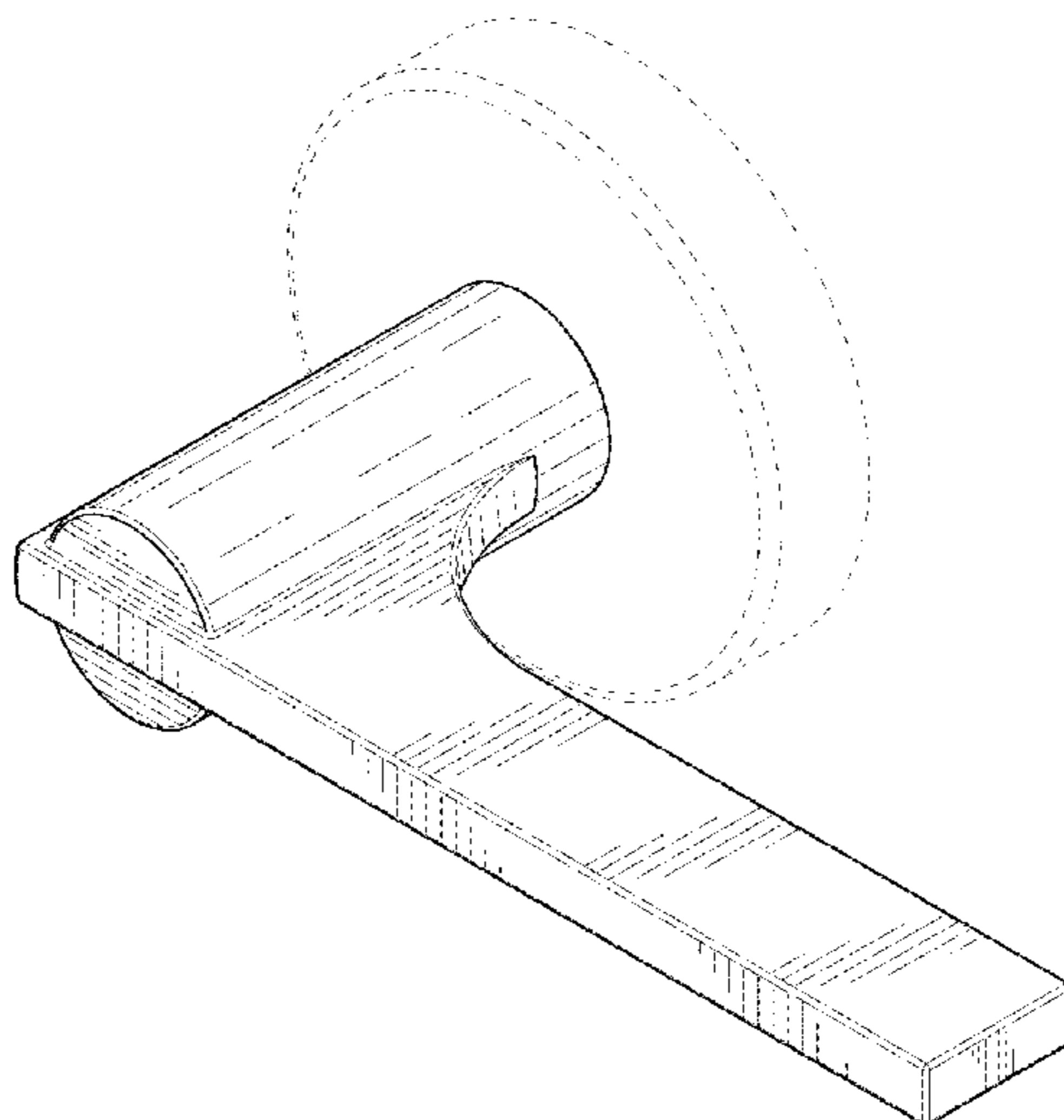
(56) **References Cited**

U.S. PATENT DOCUMENTS

4,453,753 A * 6/1984 Fayerman E05B 65/104
292/169
D311,320 S * 10/1990 Jans D8/308

(Continued)

1 Claim, 12 Drawing Sheets



(58) **Field of Classification Search**

CPC 16/30; Y10S 292/31; Y10S 292/53; Y10S
16/12; Y10S 292/23; Y10S 292/27; Y10S
292/30; Y10S 292/63; E05B 85/16; E05B
1/0015; E05B 77/06; E05B 79/06; E05B
85/18; E05B 85/12; E05B 85/10; E05B
7/00; E05B 1/0053; E05B 77/265

See application file for complete search history.

(56) **References Cited**

U.S. PATENT DOCUMENTS

6,857,300 B1 * 2/2005 Heeley E05B 13/004
70/472
D549,546 S * 8/2007 Singtoroj D8/308
D621,681 S * 8/2010 Roberts, III D8/308
D745,360 S * 12/2015 Sun D8/308
D845,741 S * 4/2019 Hammoor D8/308
D915,560 S * 4/2021 Eads D23/252
D921,472 S * 6/2021 Cowlin D8/308
2017/0260773 A1 * 9/2017 Kim E05B 1/0061

* cited by examiner

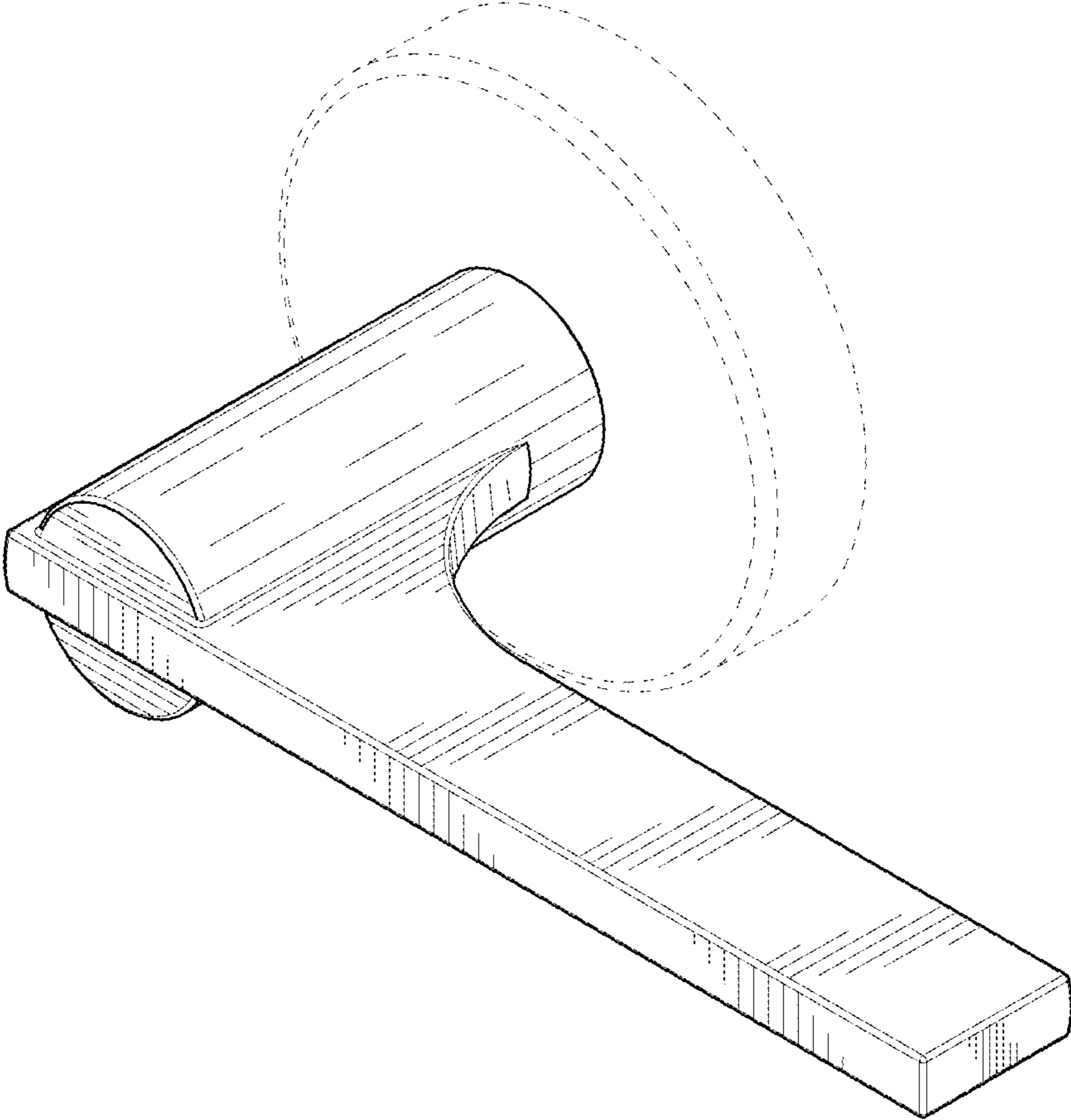


FIG. 1

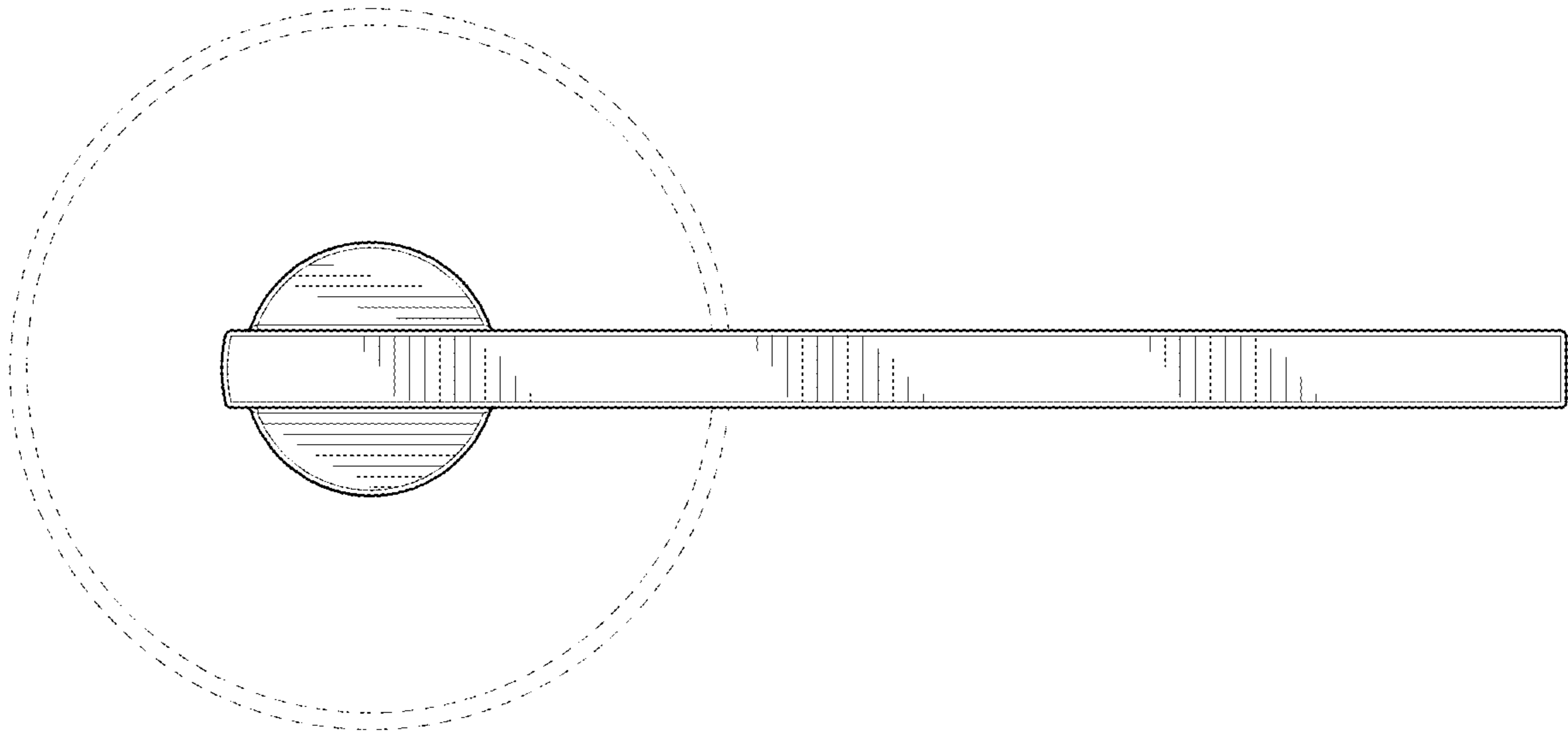


FIG. 2

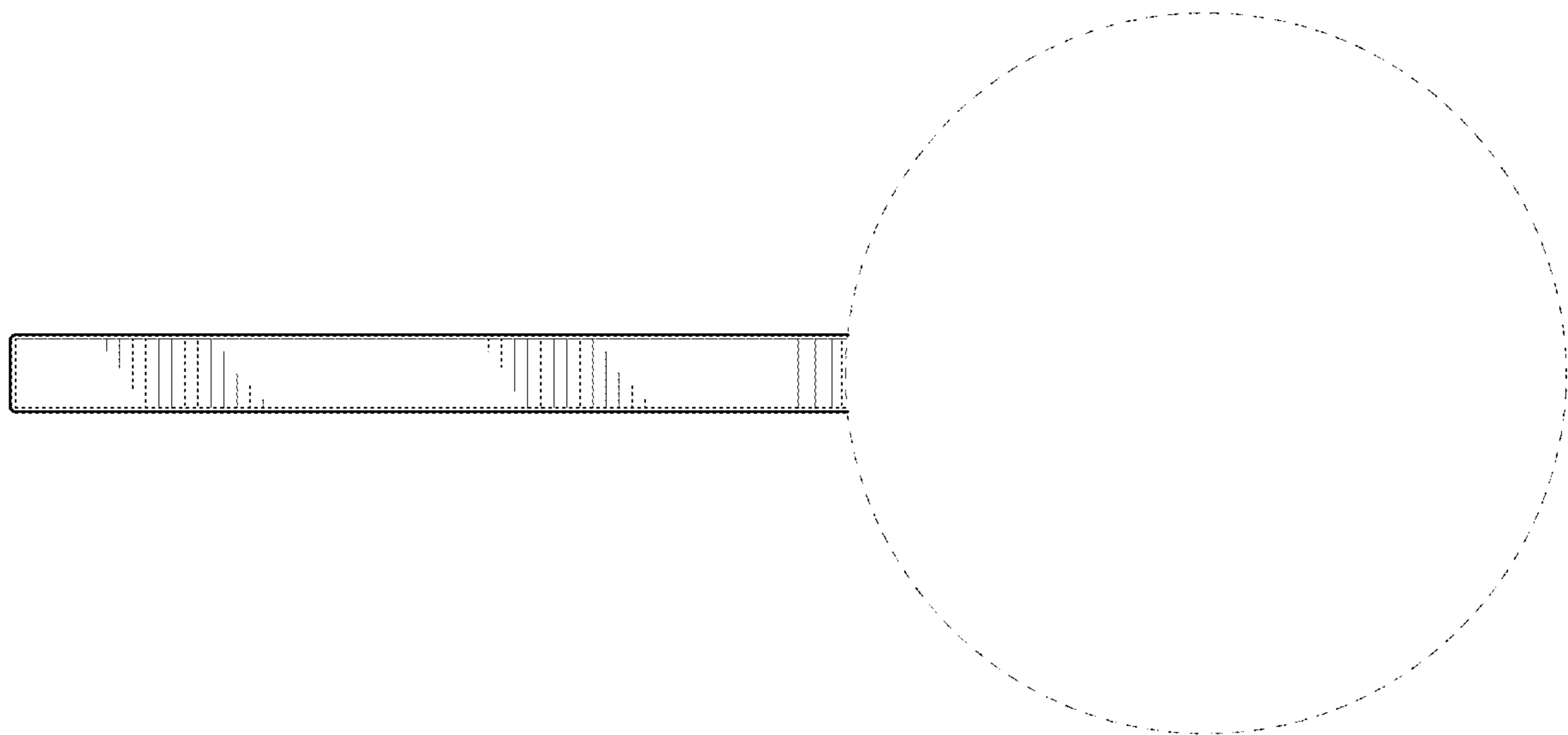


FIG. 3

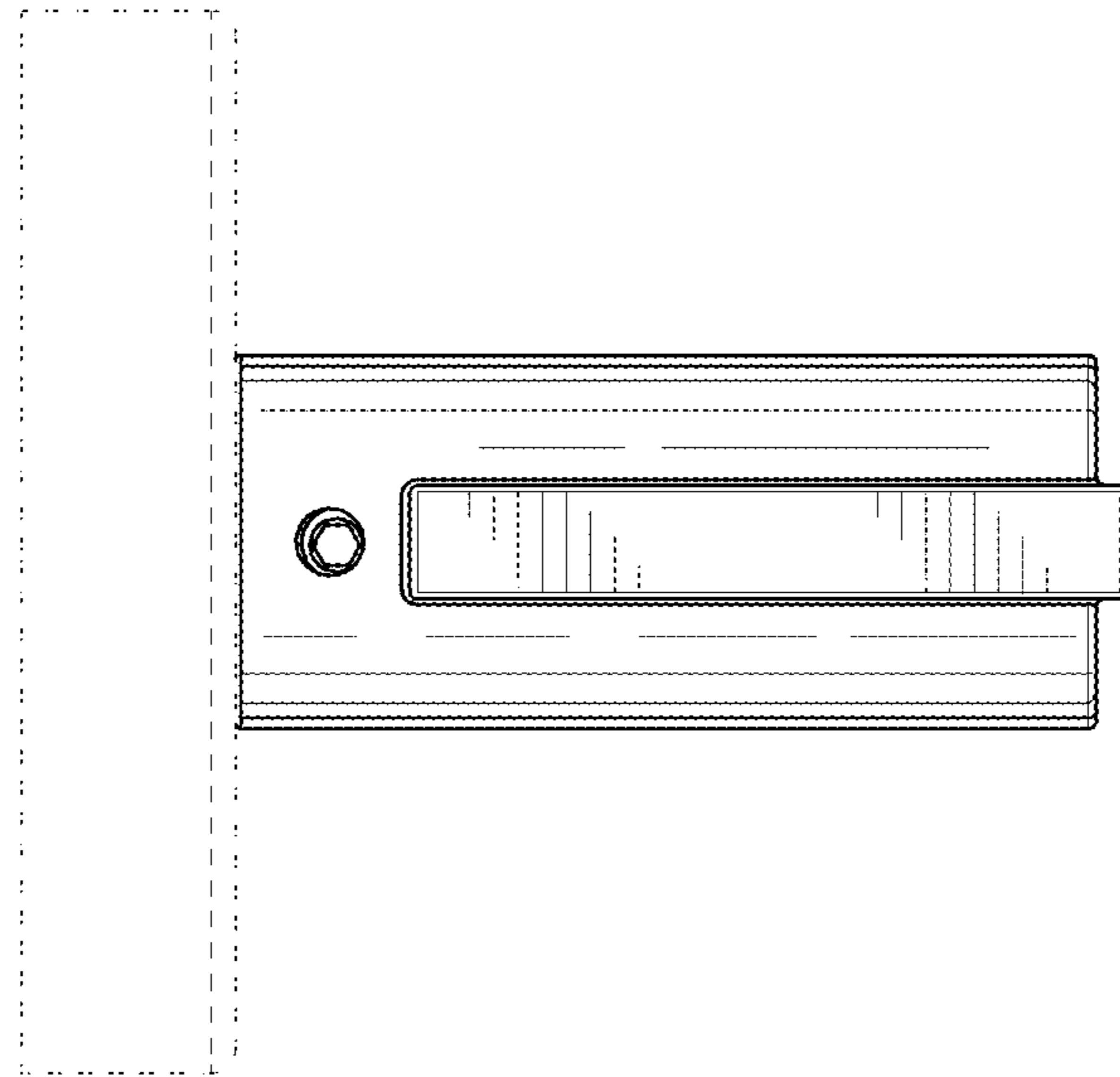


FIG. 4

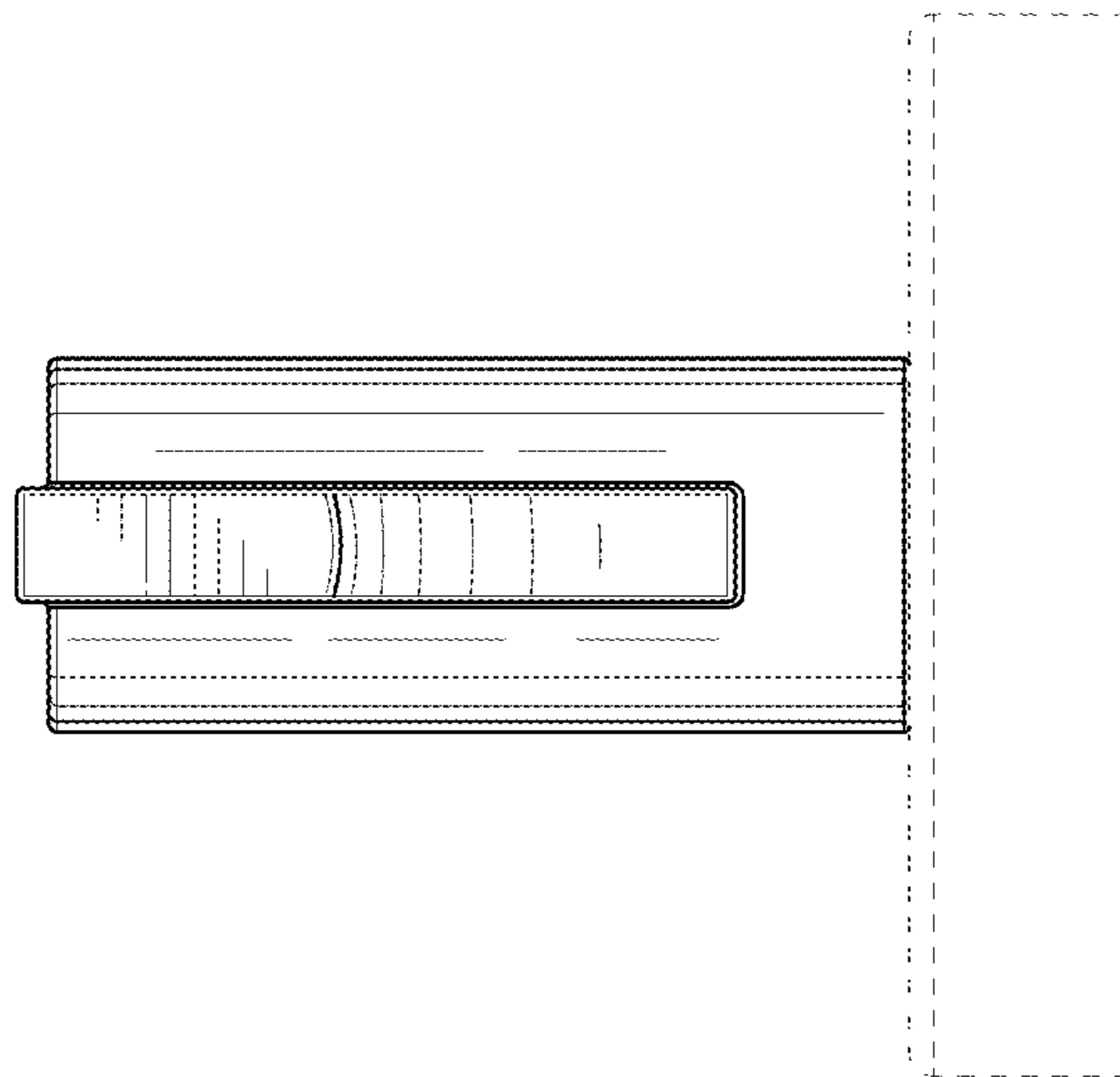


FIG. 5

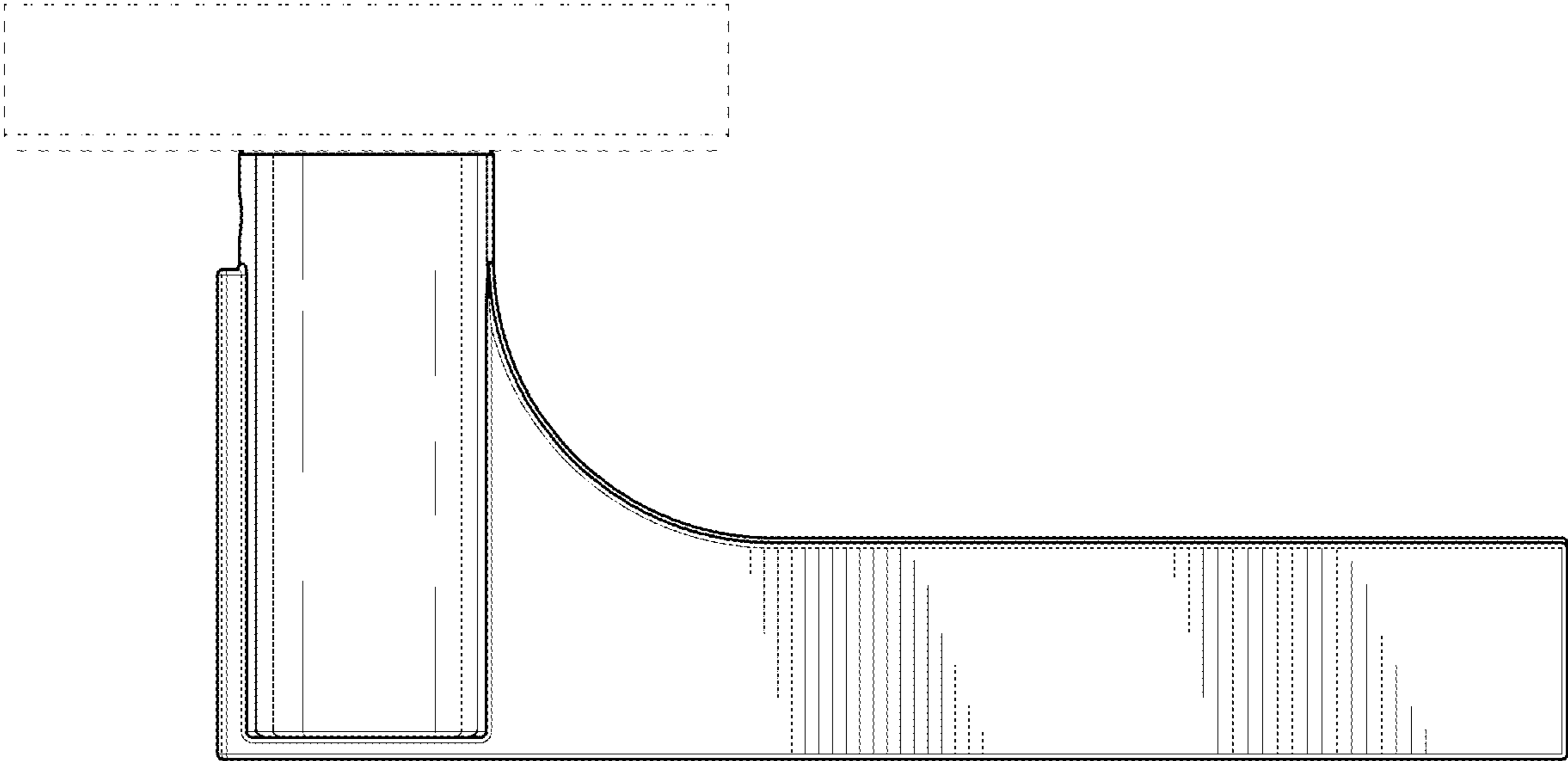


FIG. 6

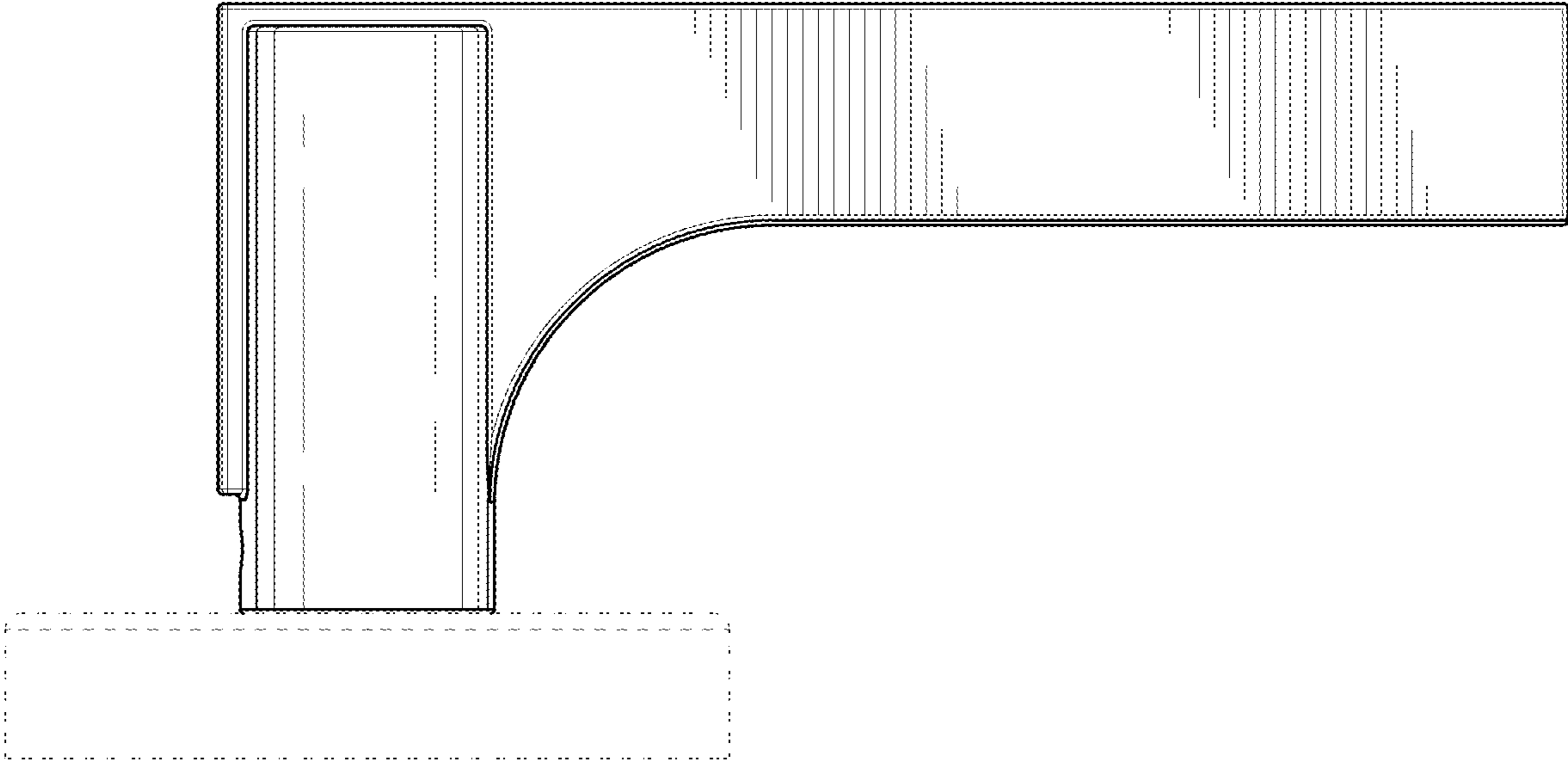


FIG. 7

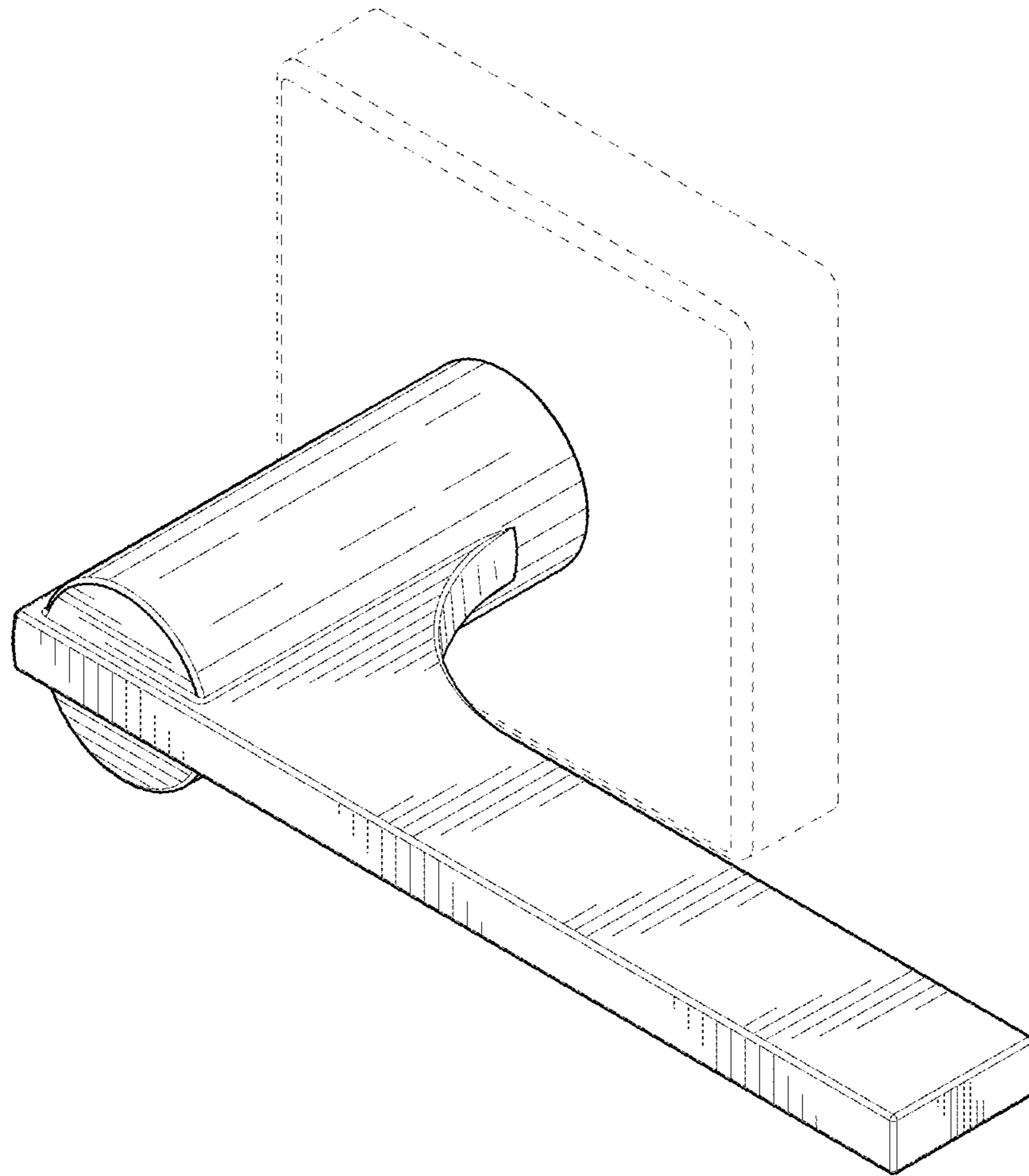


FIG. 8

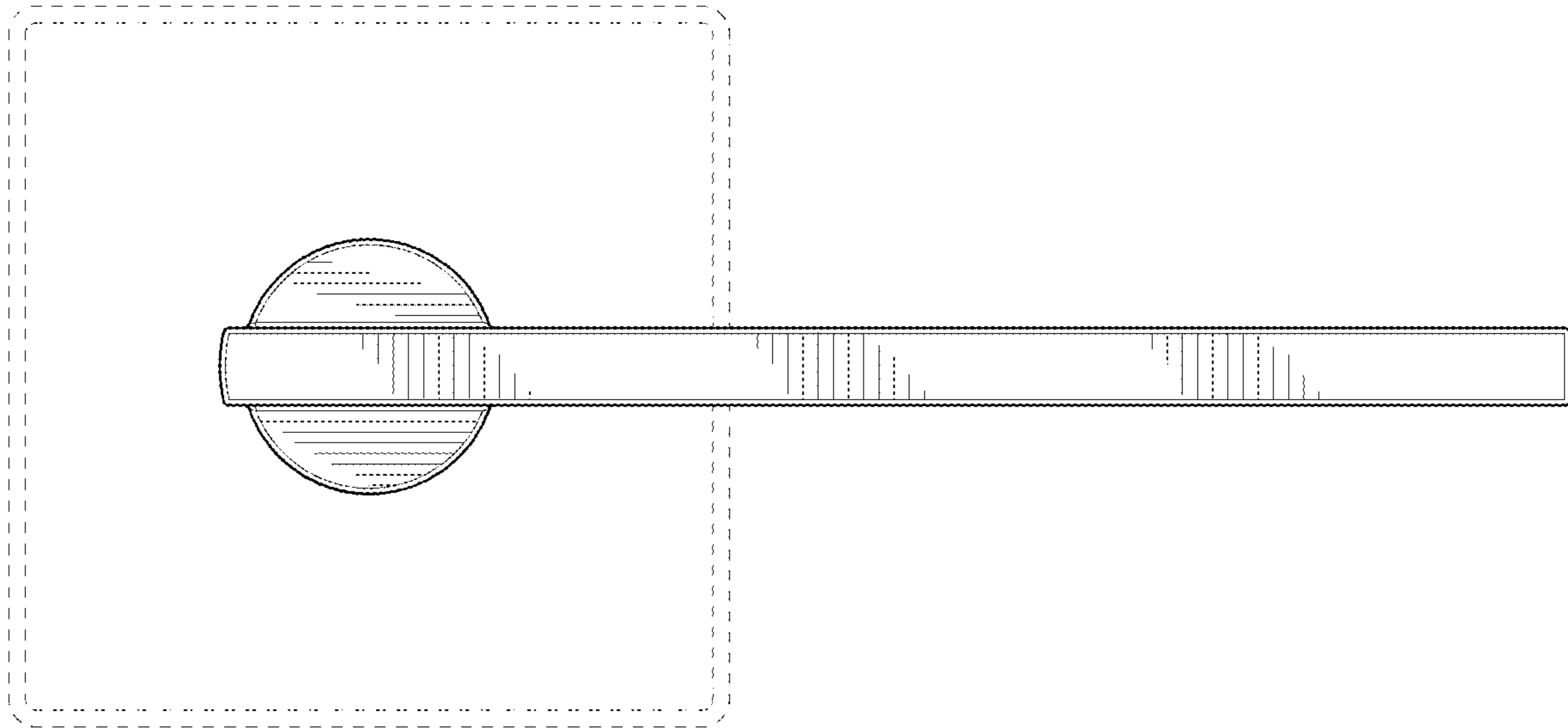


FIG.9

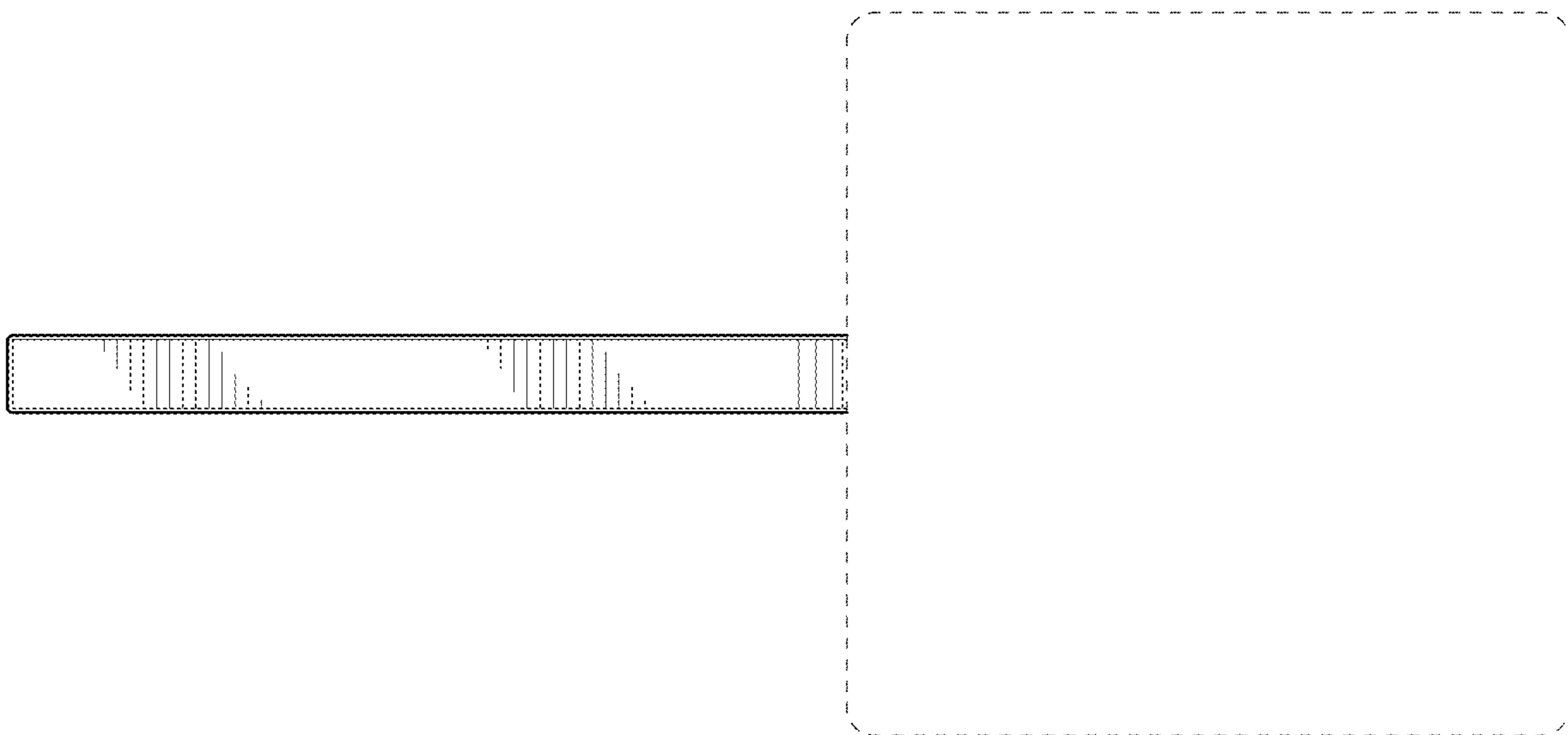


FIG.10

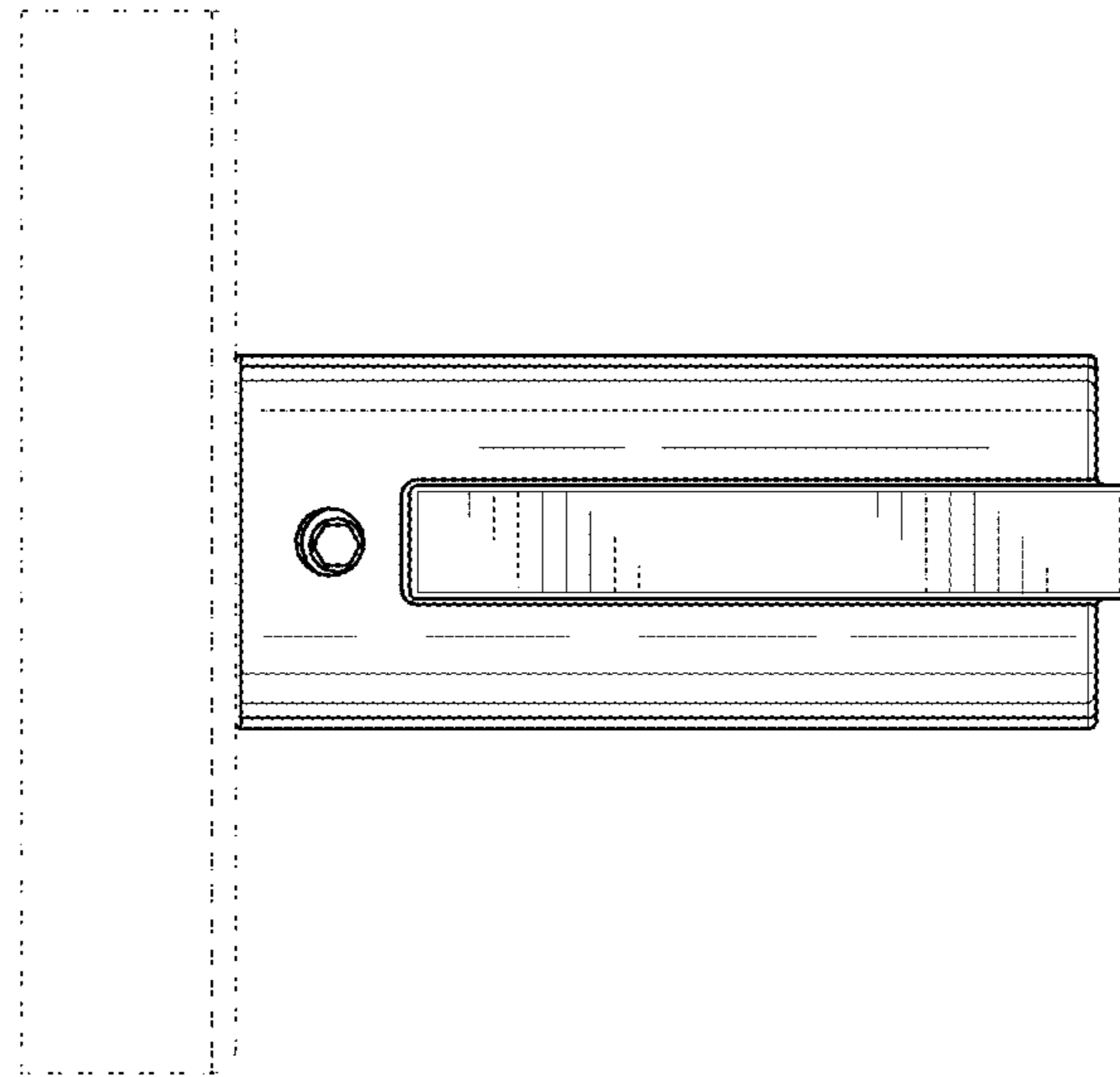


FIG. 11

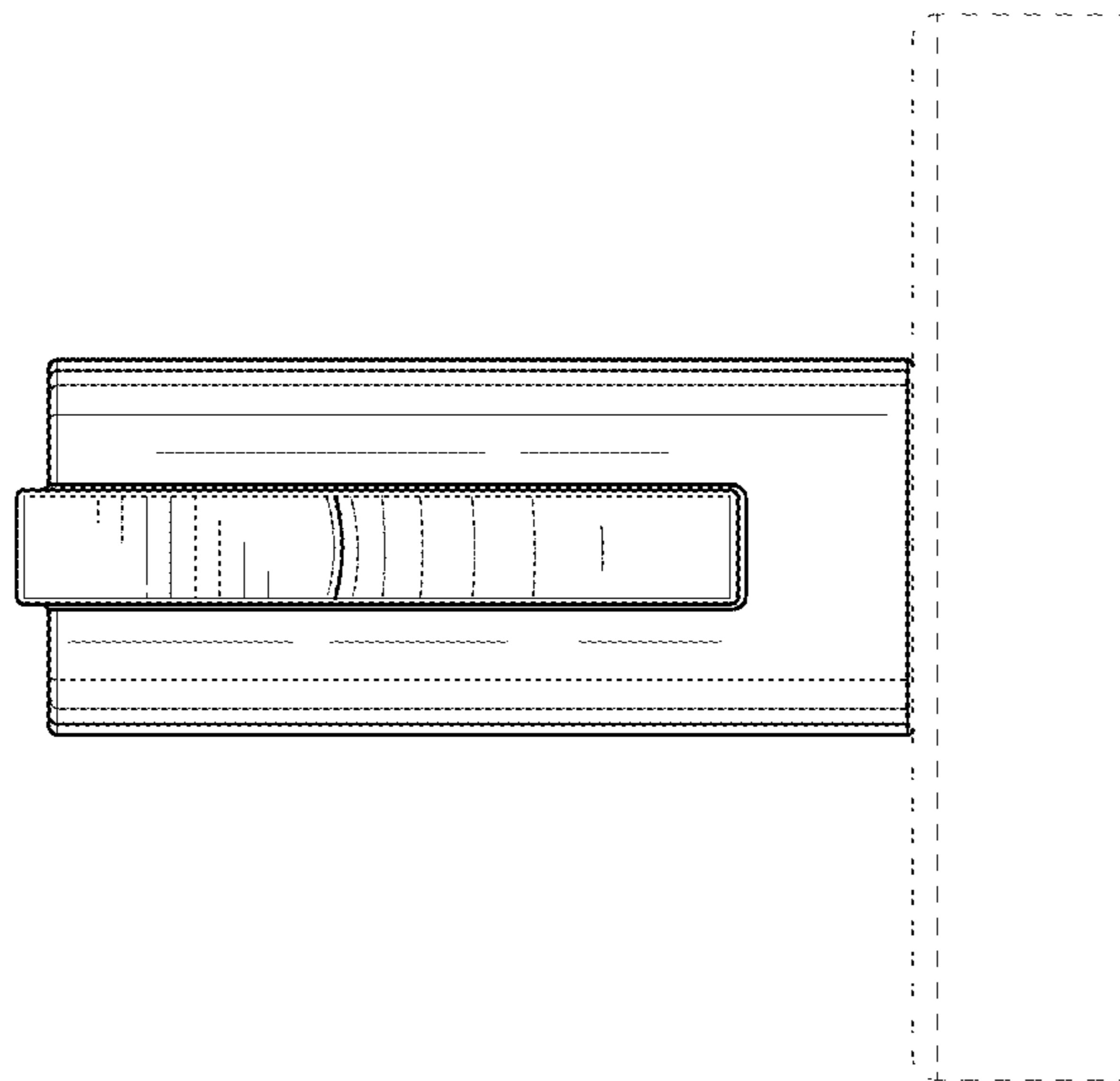


FIG. 12

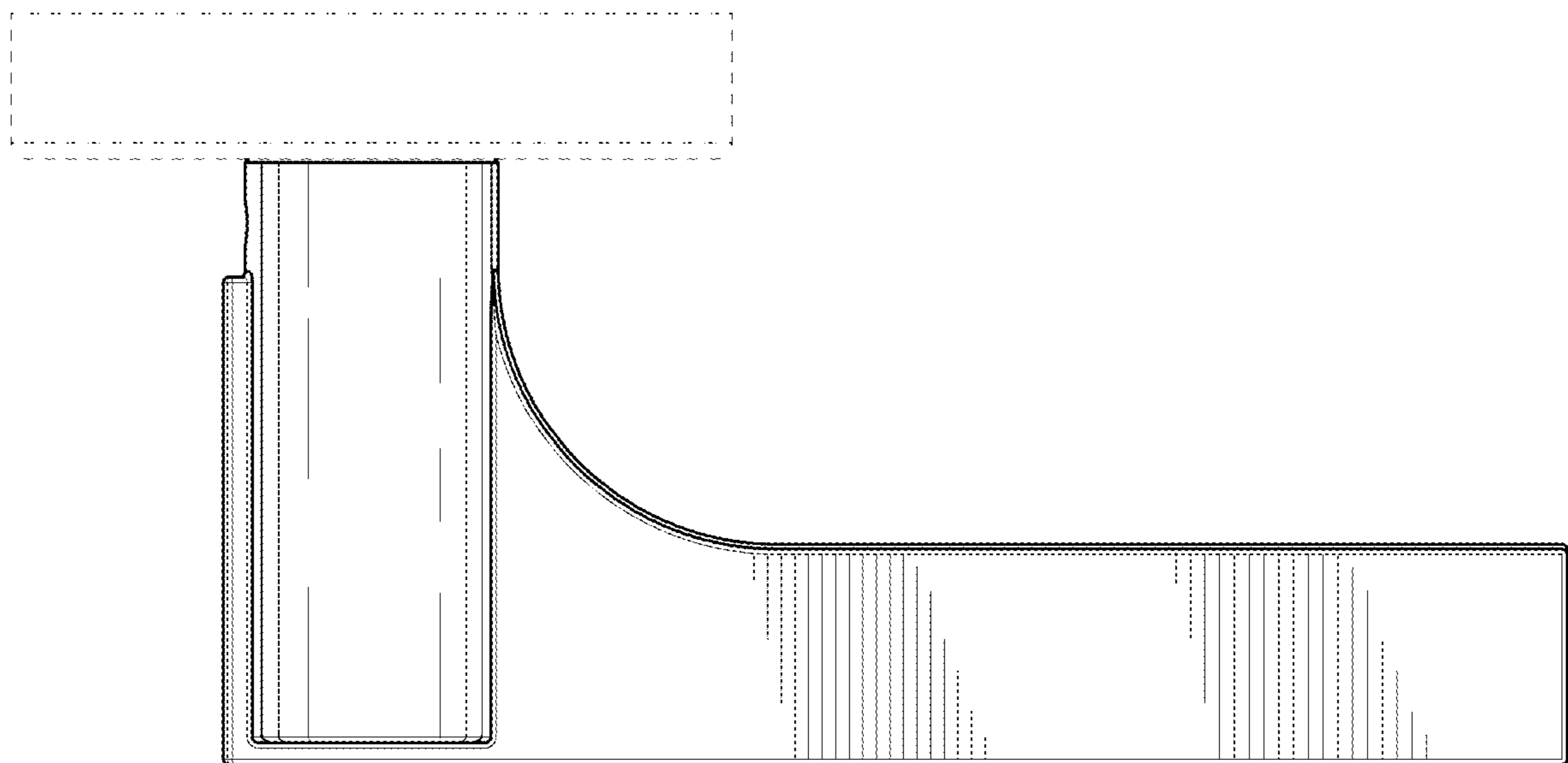


FIG. 13

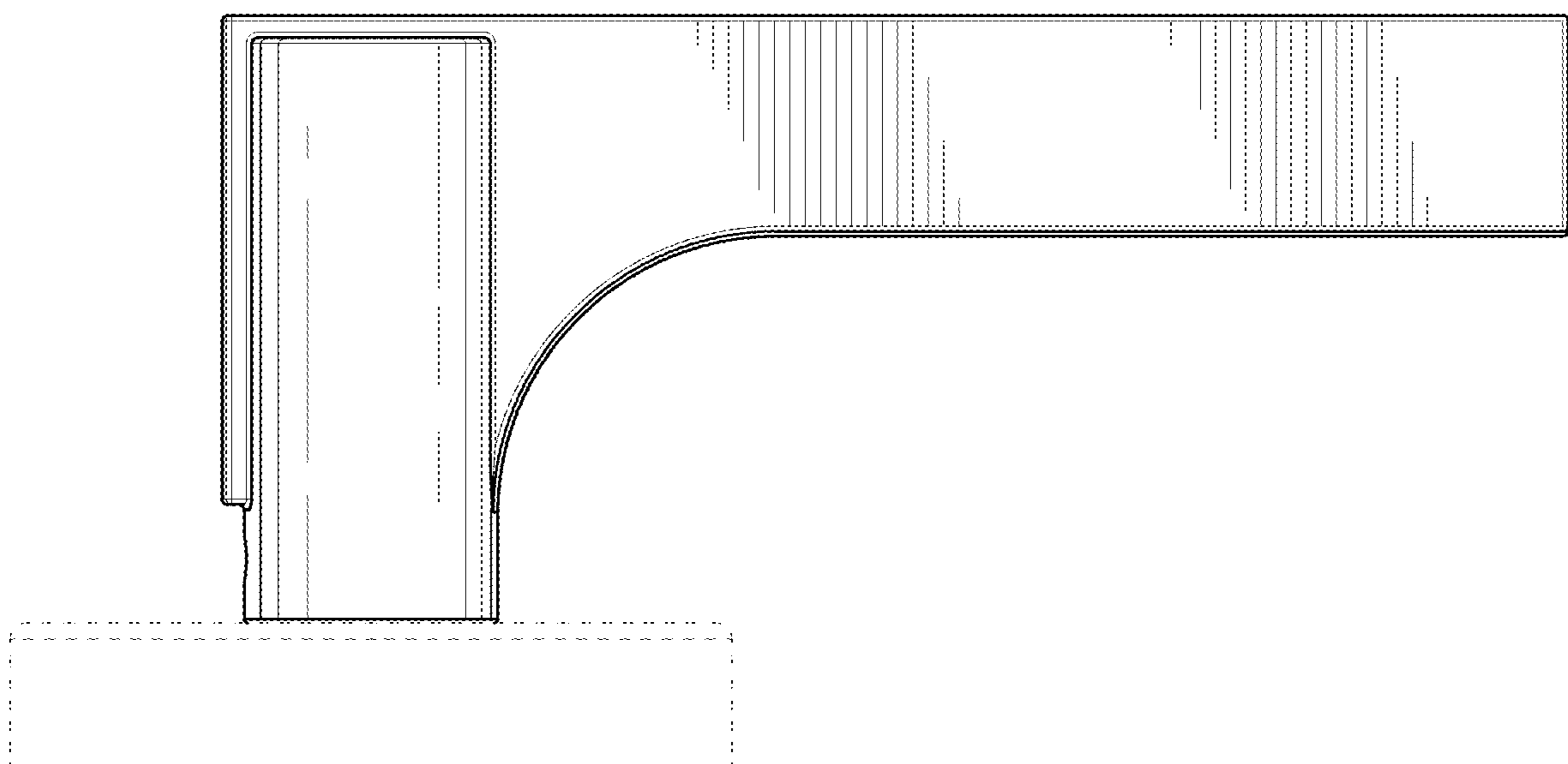


FIG. 14

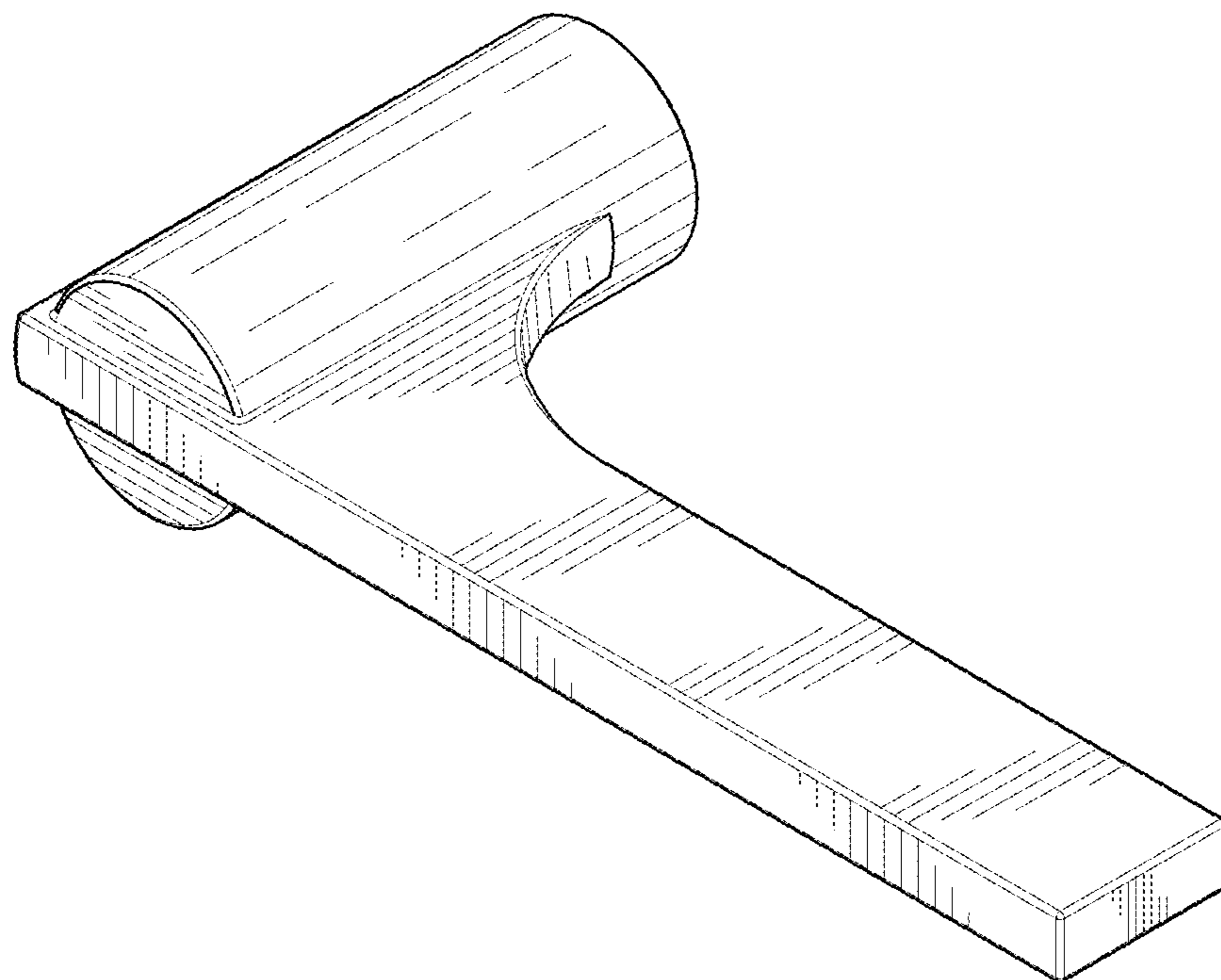


FIG.15

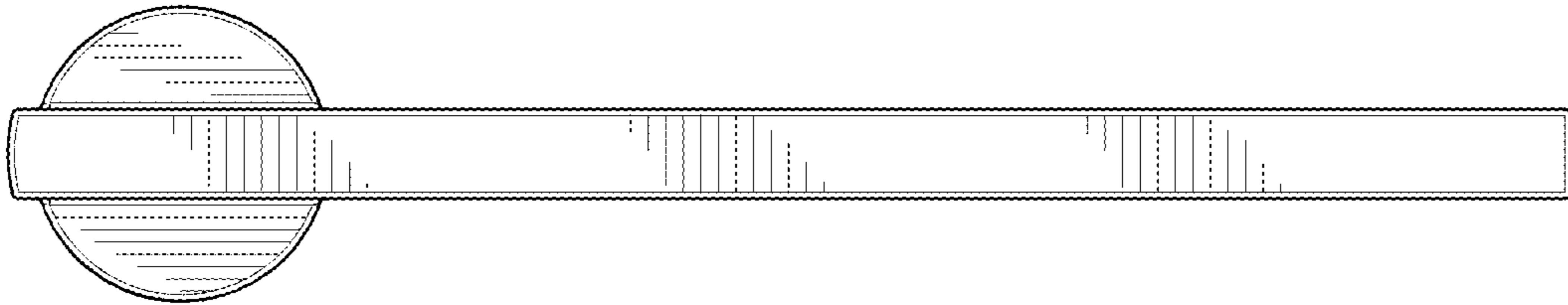


FIG. 16

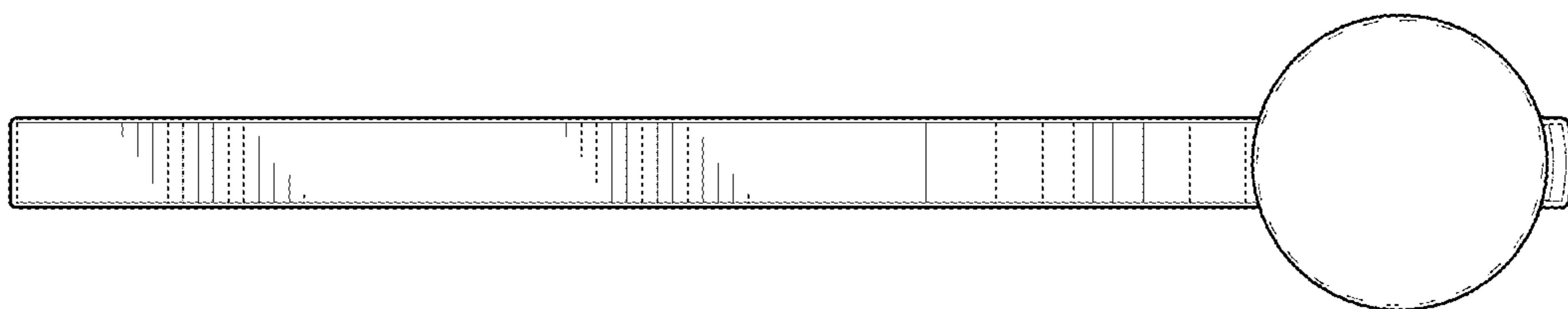


FIG. 17

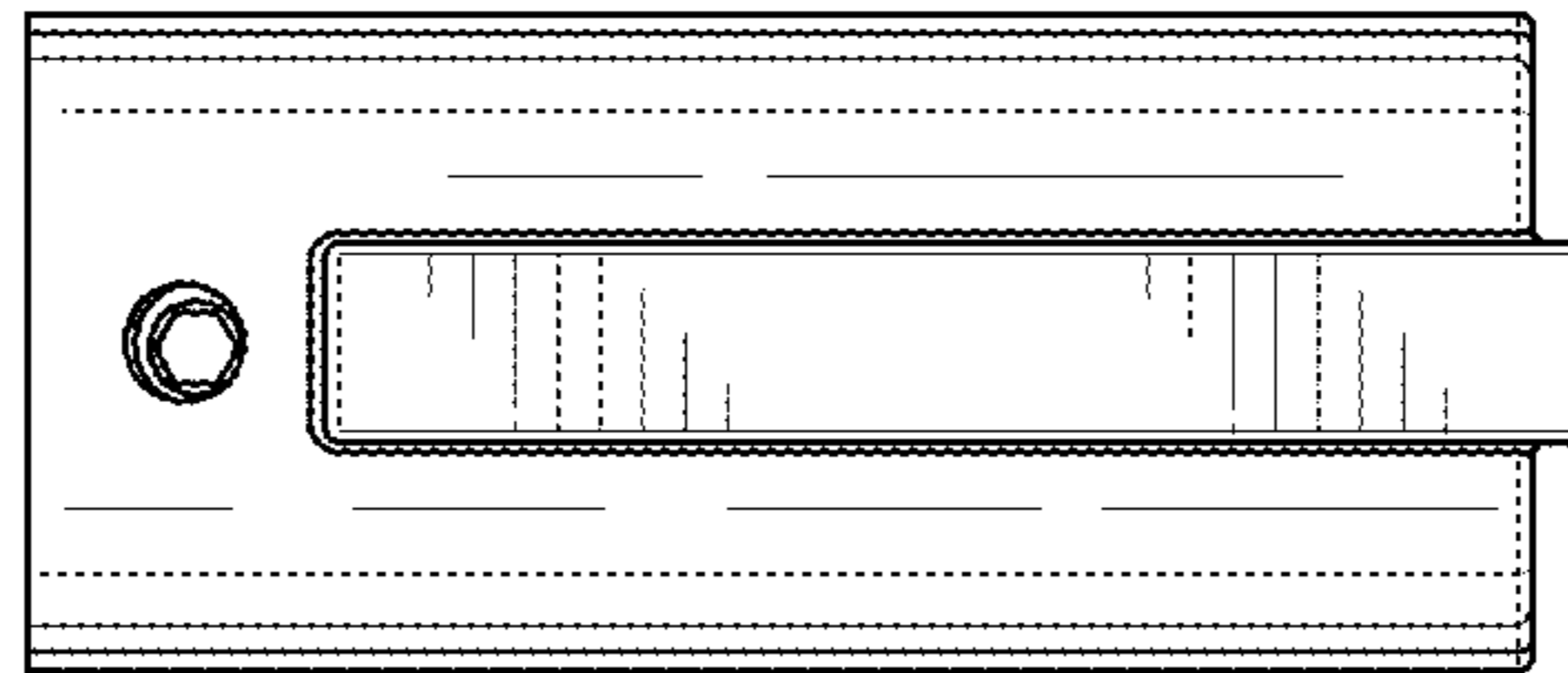


FIG. 18

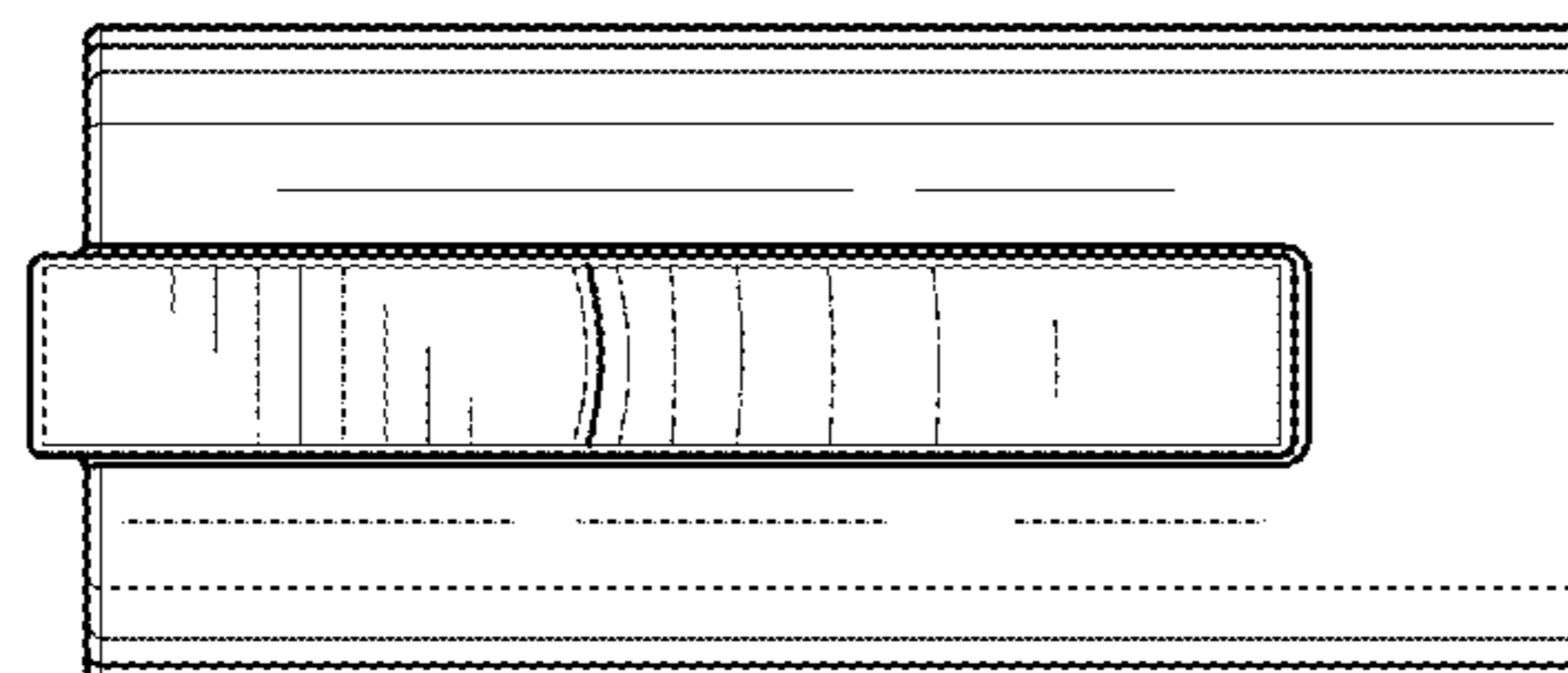


FIG. 19

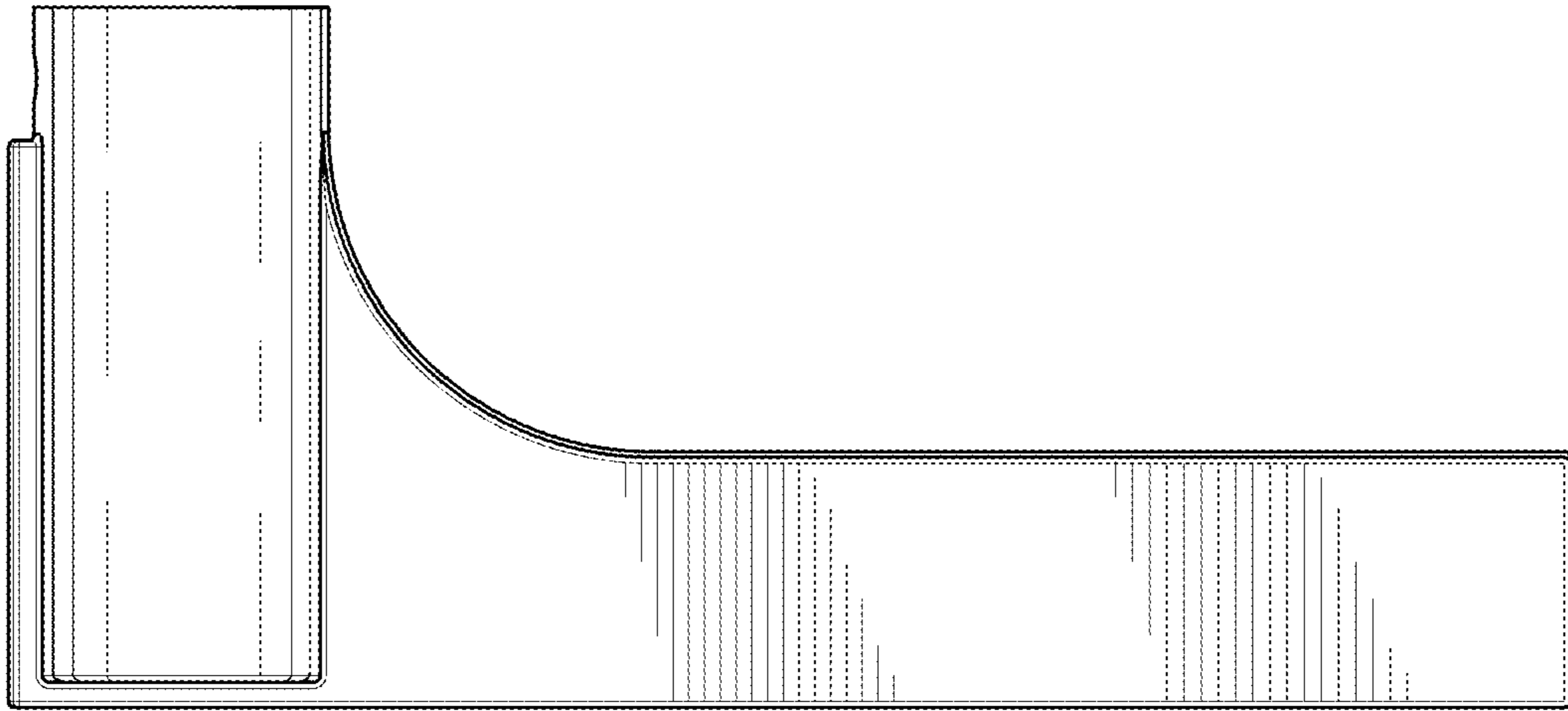


FIG. 20

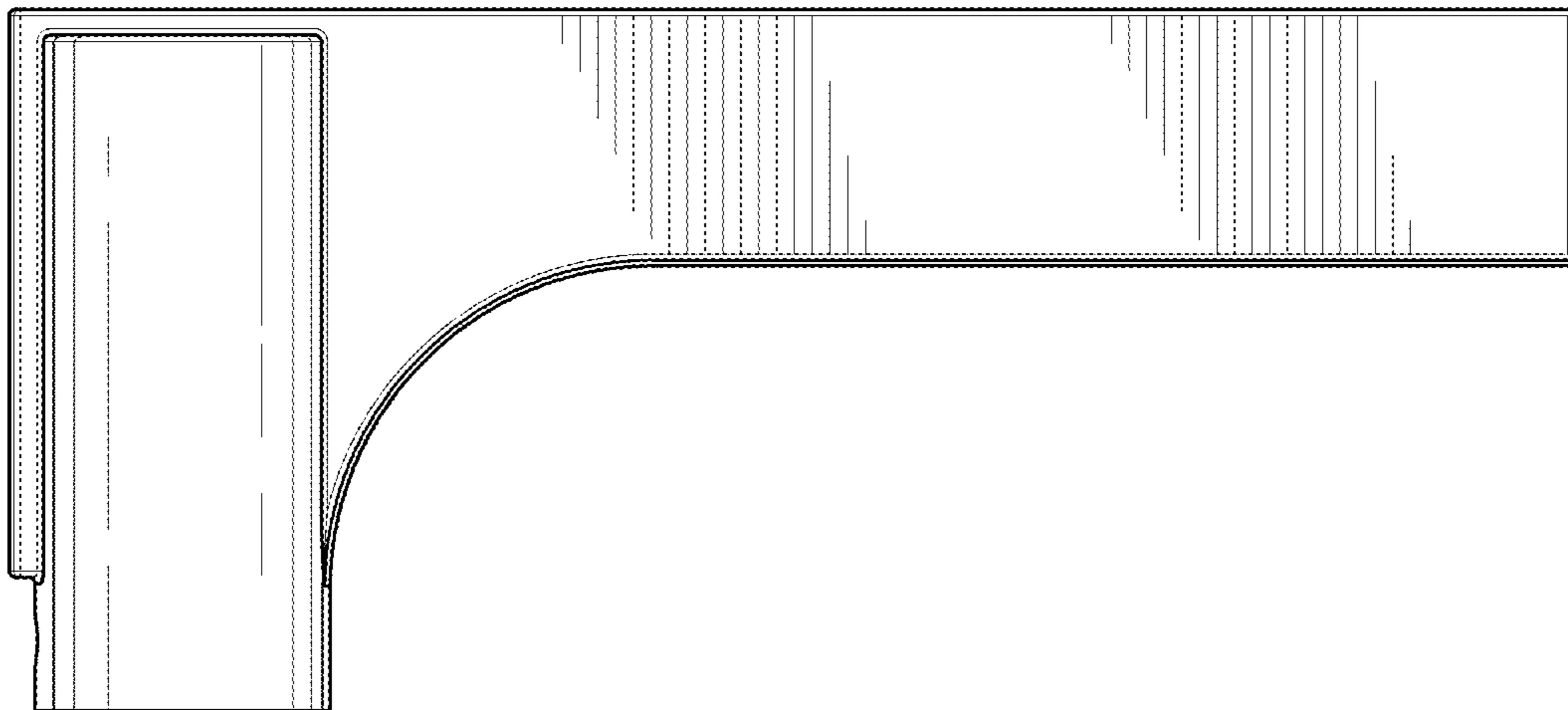


FIG. 21