



US00D947644S

(12) **United States Design Patent** (10) **Patent No.:** **US D947,644 S**  
**Huang** (45) **Date of Patent:** **\*\* Apr. 5, 2022**

(54) **DIAMOND WHETSTONE**

(71) Applicant: **JIANGYIN DIAMOND TOOLS CO., LTD.**, Jiangyin (CN)

(72) Inventor: **Dongchen Huang**, Jiangyin (CN)

(\*\*) Term: **15 Years**

(21) Appl. No.: **29/756,962**

(22) Filed: **Nov. 2, 2020**

(51) **LOC (13) Cl.** ..... **08-05**

(52) **U.S. Cl.**

USPC ..... **D8/91**; D8/93

(58) **Field of Classification Search**

USPC ..... D8/14, 71, 90, 91, 92, 93

CPC ..... B24D 15/00; B24D 15/02; B24D 15/06;

B24D 15/065; B24D 15/063

See application file for complete search history.

(56) **References Cited**

**U.S. PATENT DOCUMENTS**

1,935,592	A *	11/1933	Jake	.....	B24D 15/06 451/554
1,959,647	A *	5/1934	Jake	.....	B24D 15/02 451/554
2,453,207	A *	11/1948	Dunn	.....	B24D 15/02 248/316.4
D290,222	S *	6/1987	Moody	.....	D8/91
4,903,438	A *	2/1990	Smith	.....	B24D 15/06 451/552
D306,816	S *	3/1990	Hudnall	.....	D8/93
9,216,487	B1 *	12/2015	Dovel	.....	B24D 15/08

**OTHER PUBLICATIONS**

AccuSharp Deluxe Tri-Stone Knife & Tool Sharpening System Kit, Amazon.com, Available since Aug. 2, 2016.\*

Smith's—TRI6 TRI-6 Arkansas TRI-HONE Sharpening Stones System Gray, Amazon.com Available since Nov. 12, 2003.\*

\* cited by examiner

*Primary Examiner* — Philip S Hyder

(74) *Attorney, Agent, or Firm* — Rumit Ranjit Kanakia

(57) **CLAIM**

The ornamental design for a diamond whetstone, as shown and described.

**DESCRIPTION**

FIG. 1 is front elevational view thereof of a diamond whetstone showing my new design where the whetstone is placed on the base;

FIG. 2 is a rear elevational view thereof;

FIG. 3 is a left side view thereof;

FIG. 4 is a right side view thereof;

FIG. 5 is a top plan view thereof;

FIG. 6 is a bottom plan view thereof;

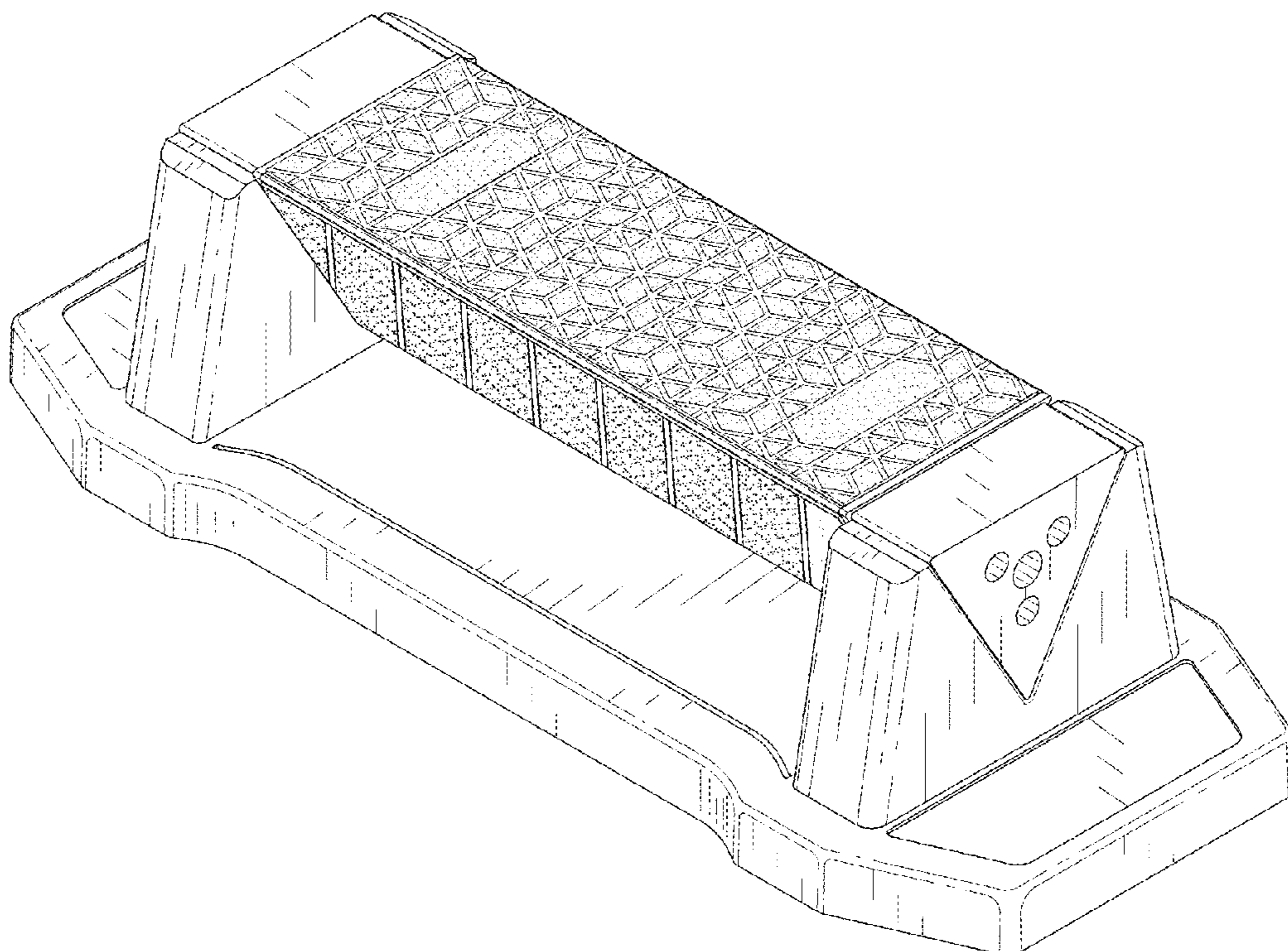
FIG. 7 is a perspective view thereof;

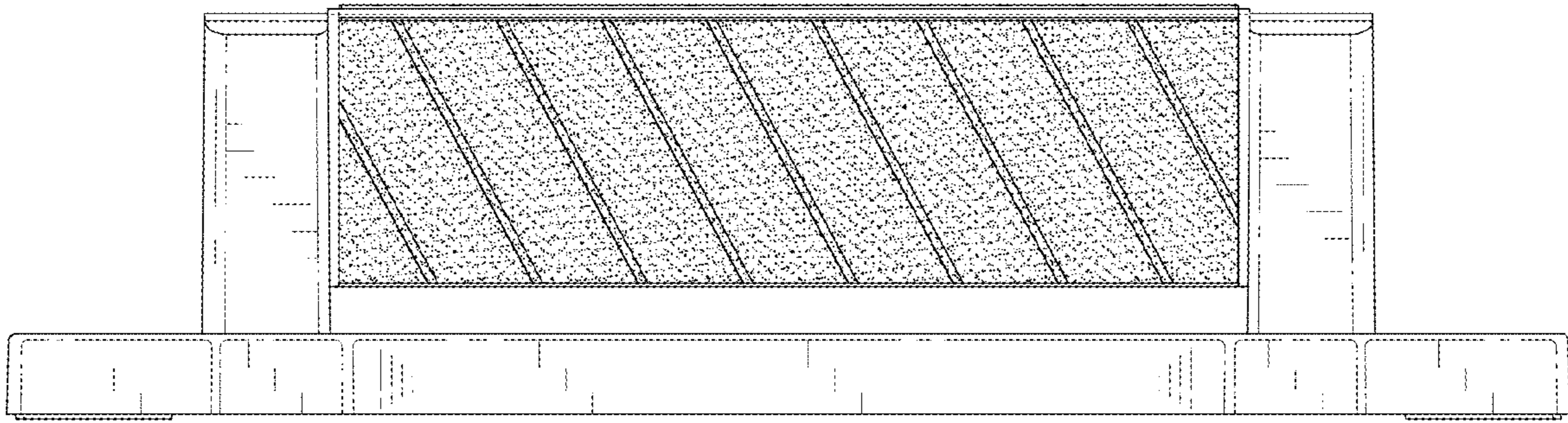
FIG. 8 is another perspective view thereof; and,

FIG. 9 is a perspective view there of a diamond whetstone showing my new design where the whetstone is separated from the base.

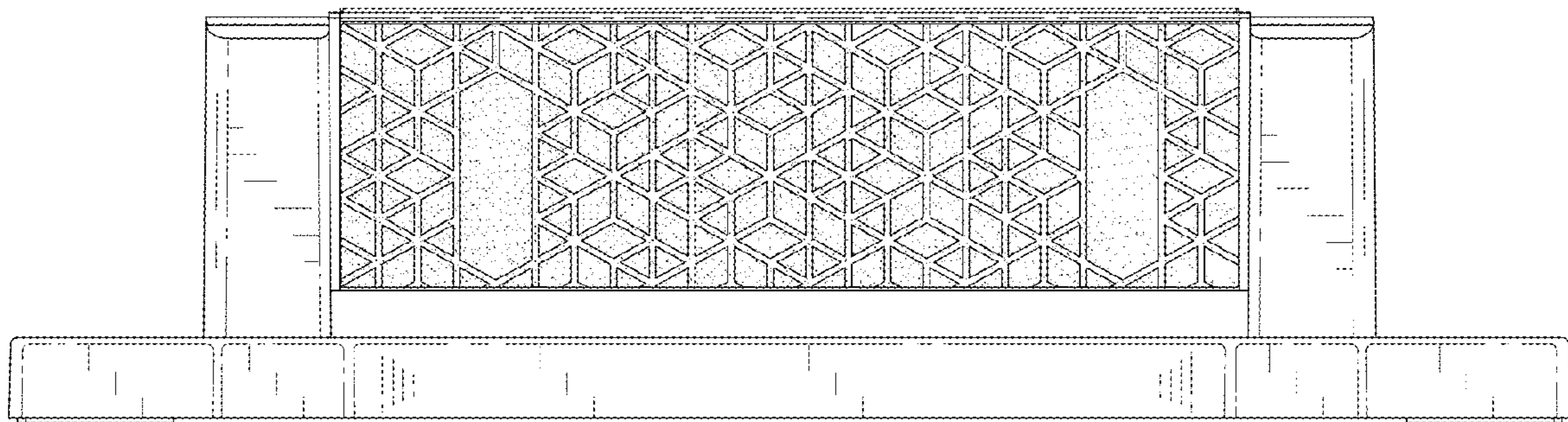
The broken lines illustrate portions of the environment structure which forms no part of the claimed design.

**1 Claim, 6 Drawing Sheets**

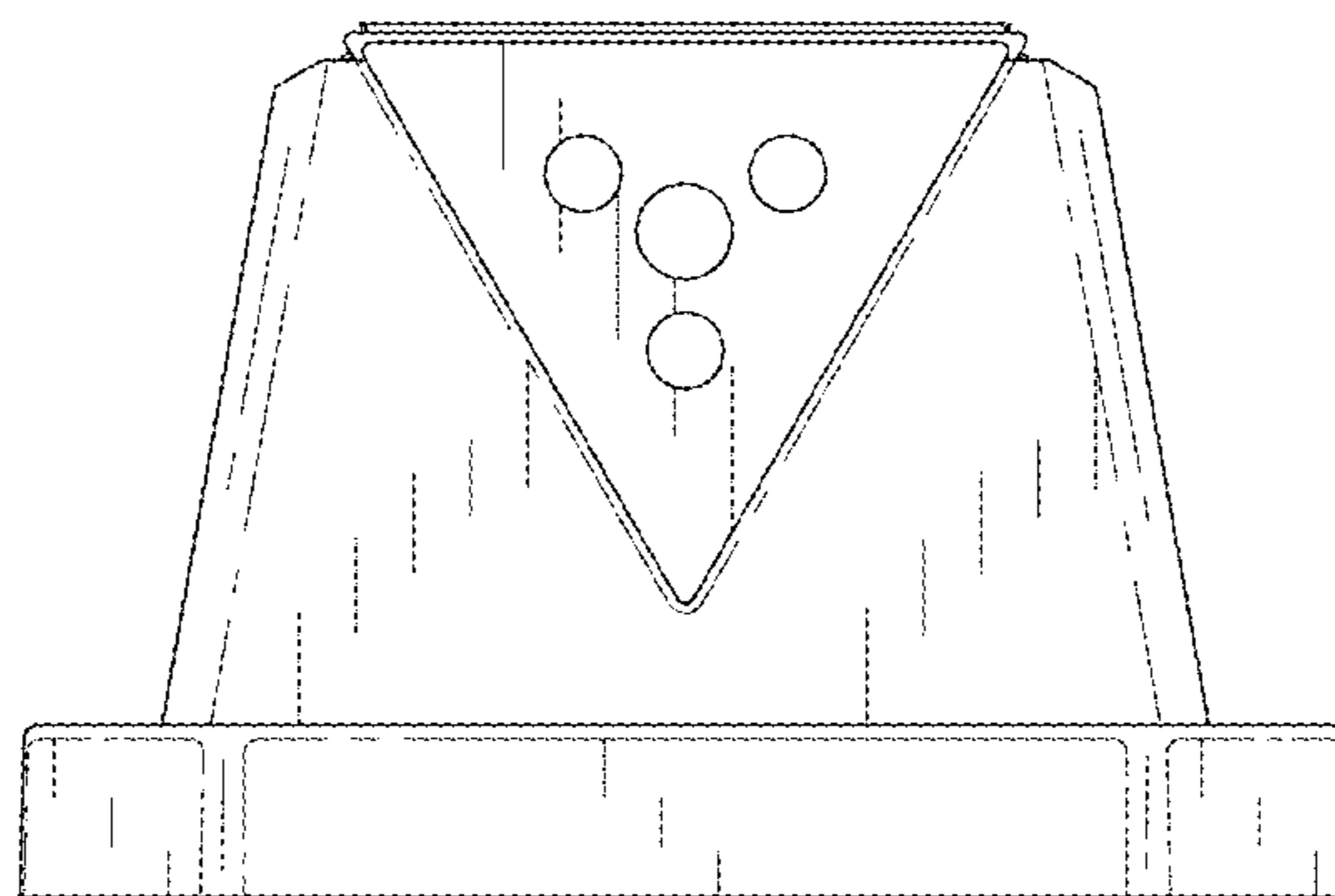




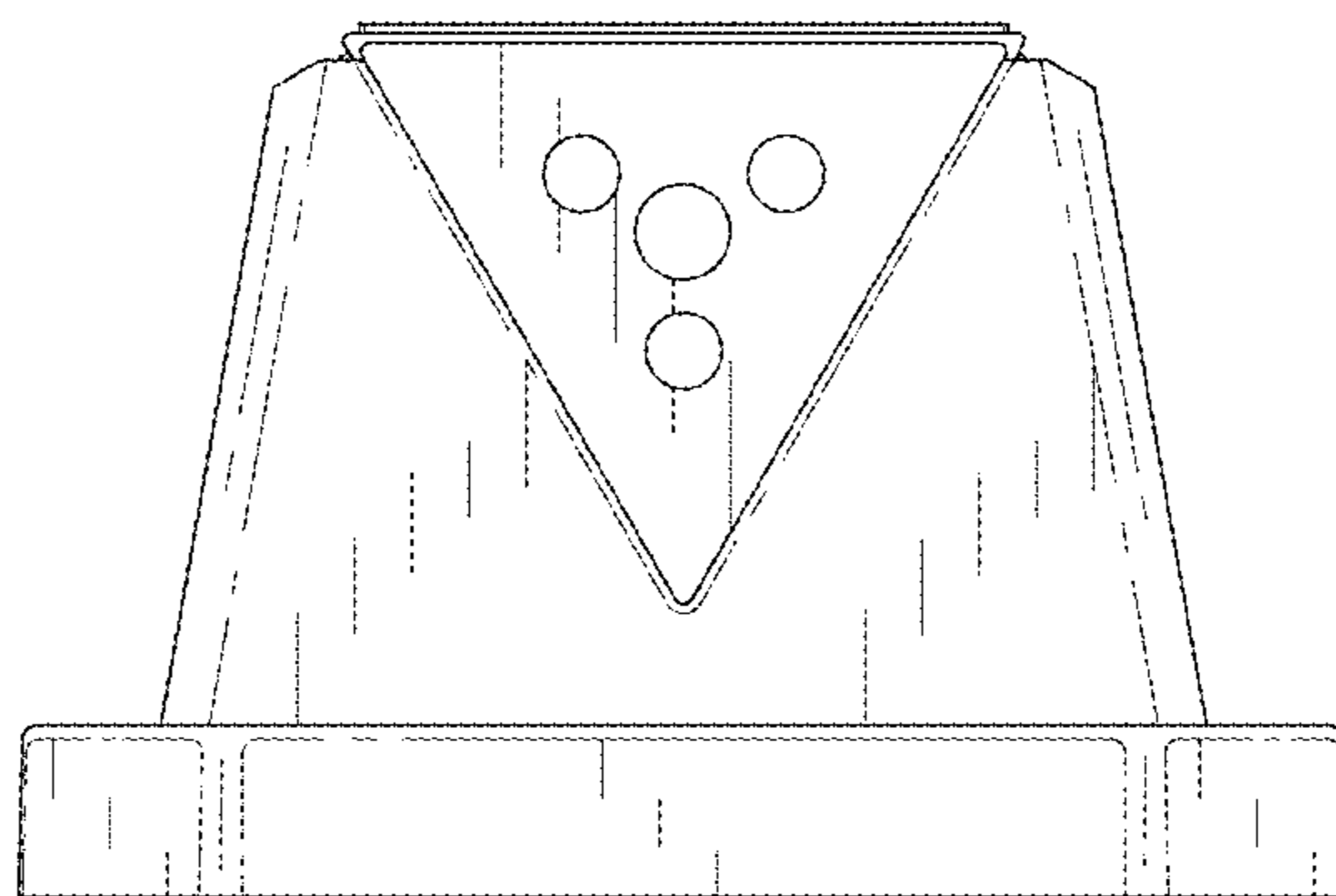
*Fig. 1*



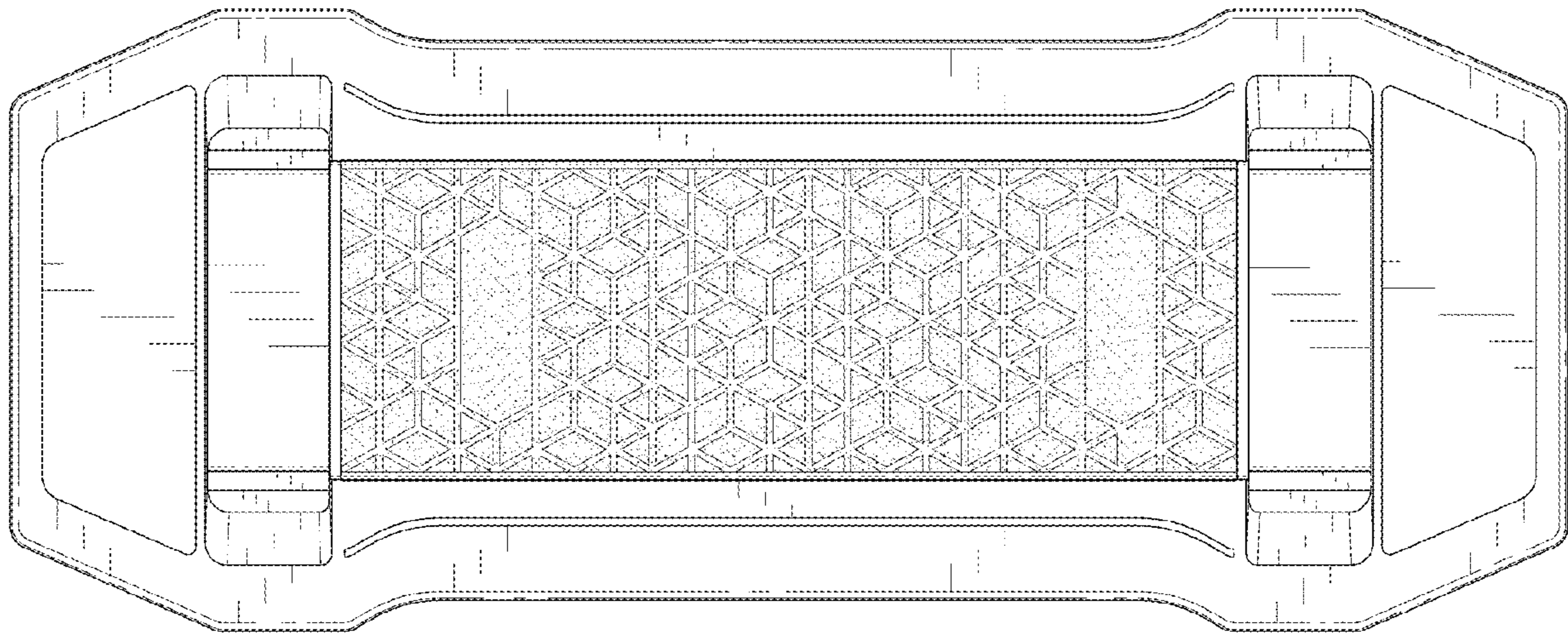
*Fig. 2*



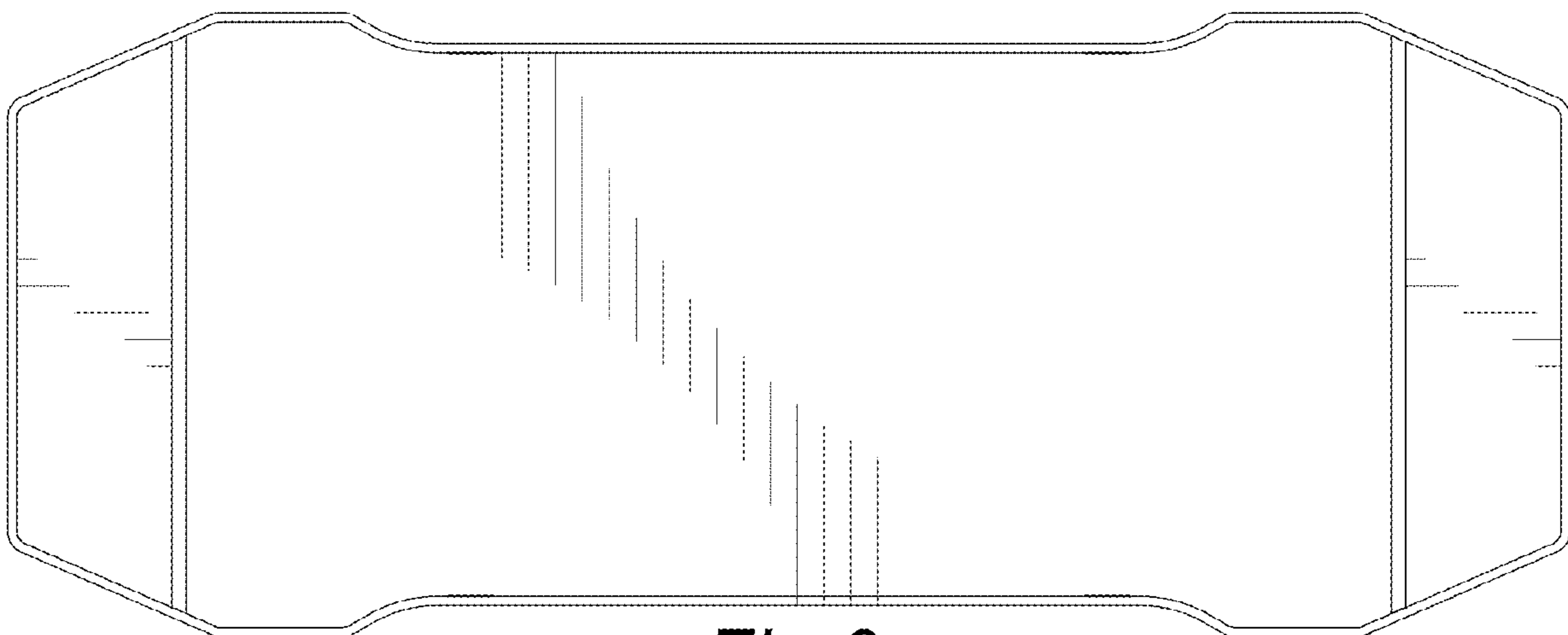
*Fig. 3*



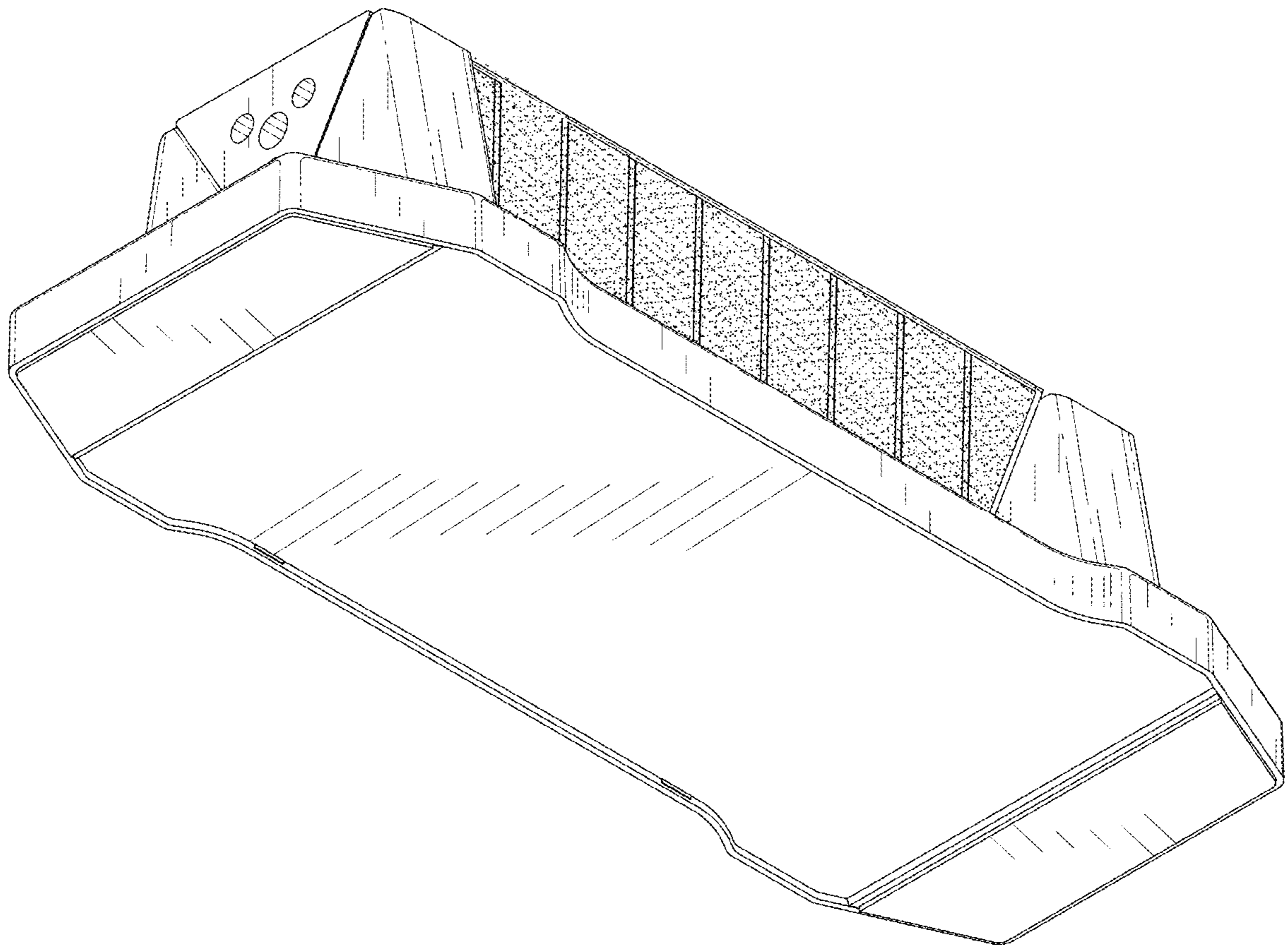
*Fig. 4*



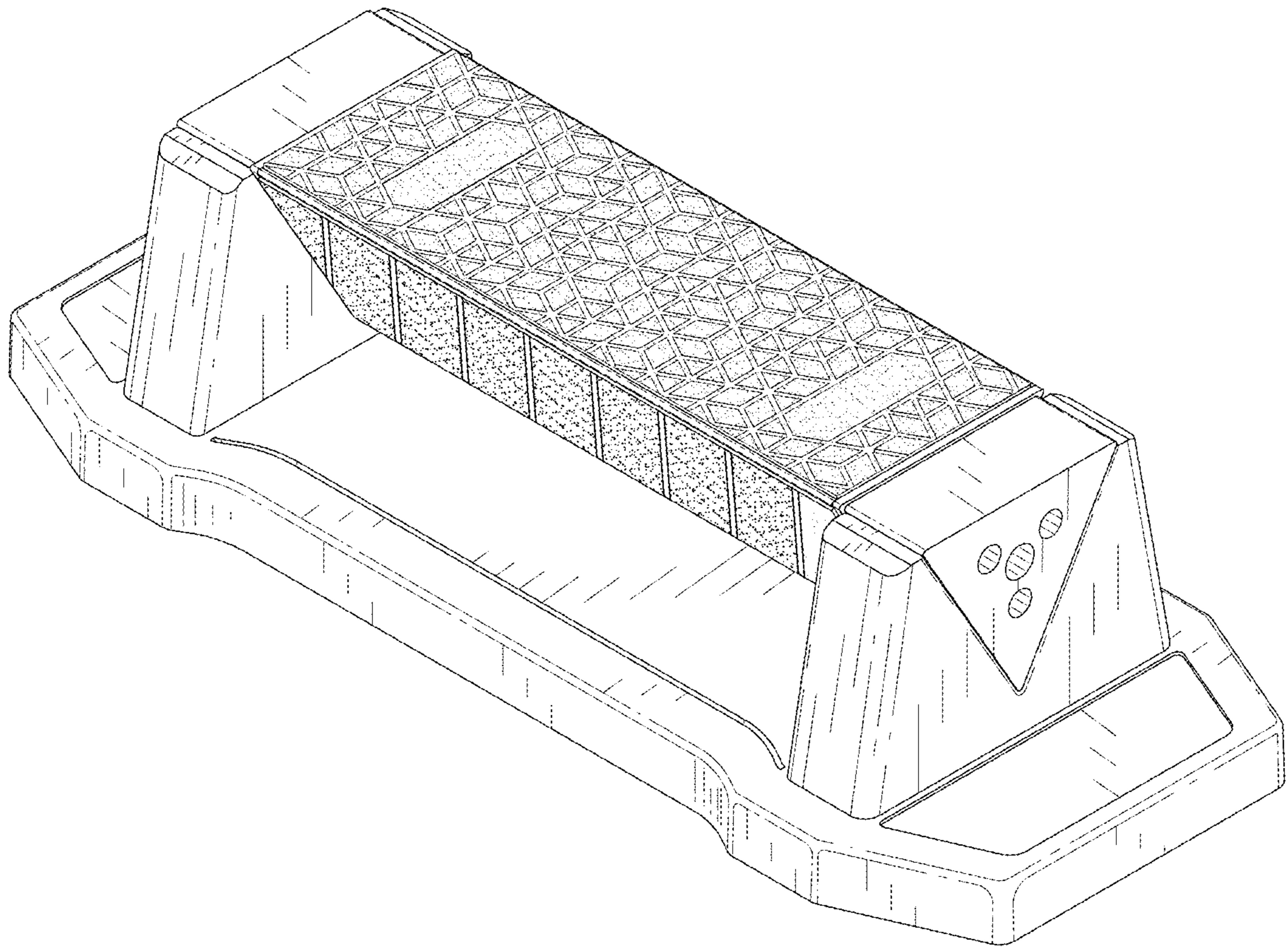
*Fig. 5*



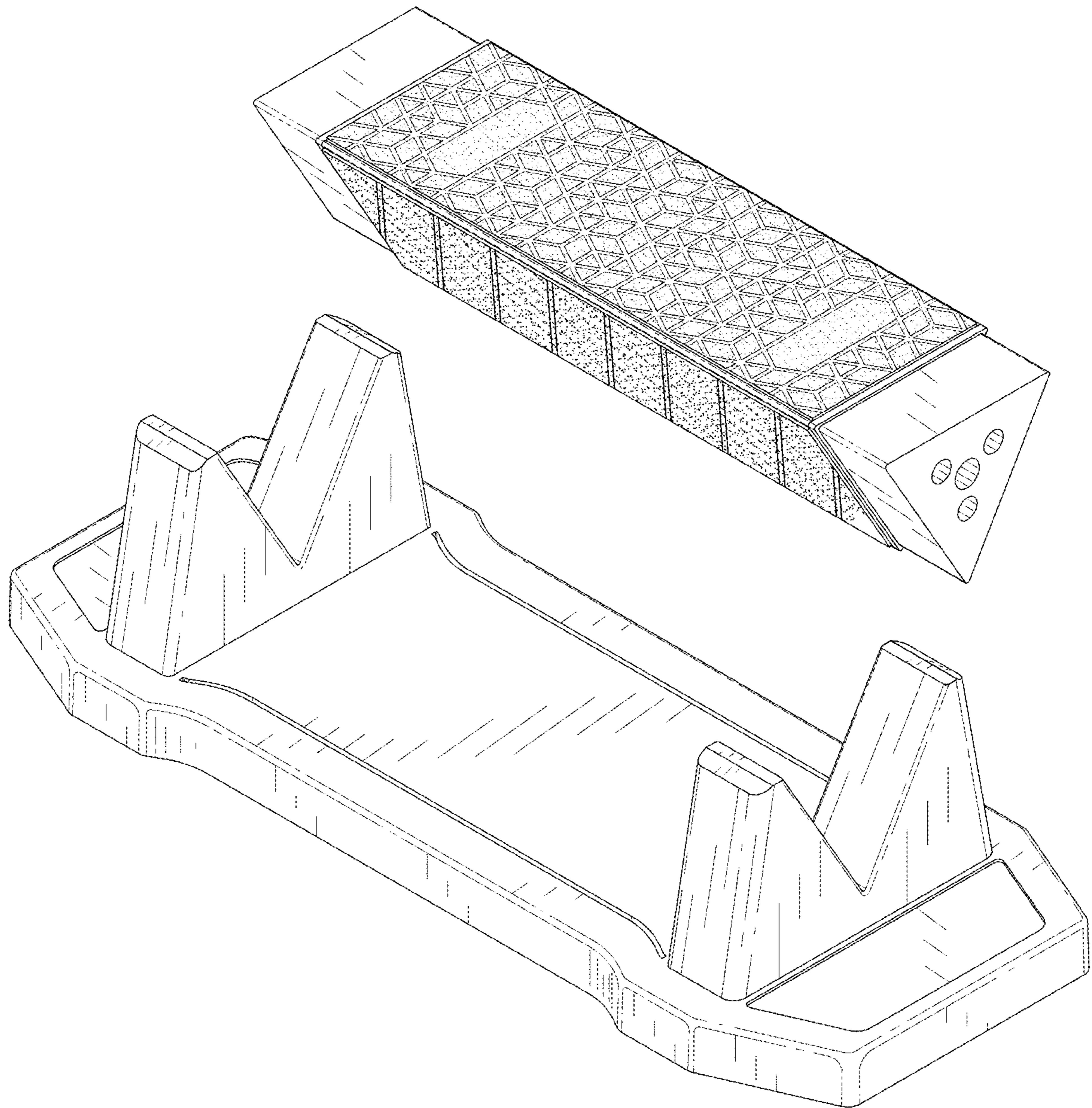
*Fig. 6*



*Fig.7*



*Fig.8*



*Fig. 9*