



US00D947643S

(12) **United States Design Patent**
Huang

(10) **Patent No.:** **US D947,643 S**

(45) **Date of Patent:** **** Apr. 5, 2022**

(54) **GARDEN SHARPENER**

(71) Applicant: **JIANGYIN DIAMOND TOOLS CO., LTD.**, Jiangyin (CN)

(72) Inventor: **Dongchen Huang**, Jiangyin (CN)

(**) Term: **15 Years**

(21) Appl. No.: **29/756,959**

(22) Filed: **Nov. 2, 2020**

(51) **LOC (13) Cl.** **08-05**

(52) **U.S. Cl.**
USPC **D8/91**

(58) **Field of Classification Search**
USPC D8/14, 51, 63, 90, 91, 92, 93; D28/59
CPC B24B 3/54; B24B 3/36; B24B 3/58; B24B 3/00; B24B 23/08; B24D 15/00; B24D 15/06; B24D 15/063; B24D 15/08; B24D 15/081

See application file for complete search history.

(56) **References Cited**

U.S. PATENT DOCUMENTS

- 4,558,540 A * 12/1985 Collins B24D 15/08 76/82
- D301,070 S * 5/1989 Lallerstedt D28/59

- D372,182 S * 7/1996 Hancock D8/93
- D389,716 S * 1/1998 Cohen D8/93
- D410,185 S * 5/1999 Huber D8/93
- D548,359 S * 8/2007 Illein D24/223
- D804,272 S * 12/2017 Chalfant D8/91

* cited by examiner

Primary Examiner — Philip S Hyder

(74) *Attorney, Agent, or Firm* — Rumit Ranjit Kanakia

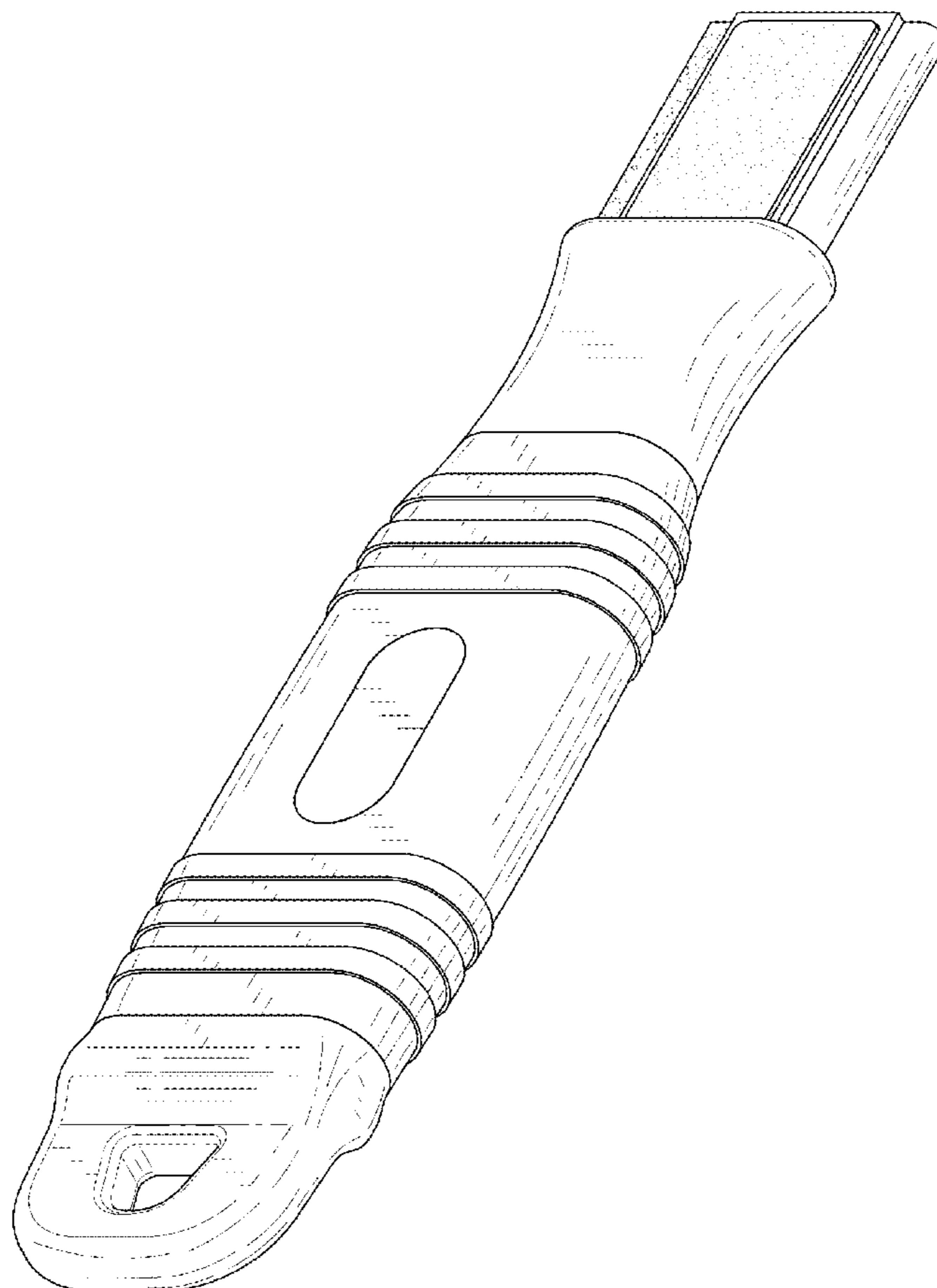
(57) **CLAIM**

The ornamental design for a garden sharpener, as shown and described.

DESCRIPTION

FIG. 1 is front elevational view thereof of a garden sharpener showing my new design;
FIG. 2 is a rear elevational view thereof;
FIG. 3 is a left side view thereof;
FIG. 4 is a right side view thereof;
FIG. 5 is a top plan view thereof;
FIG. 6 is a bottom plan view thereof; and,
FIG. 7 is a perspective view thereof.

1 Claim, 7 Drawing Sheets



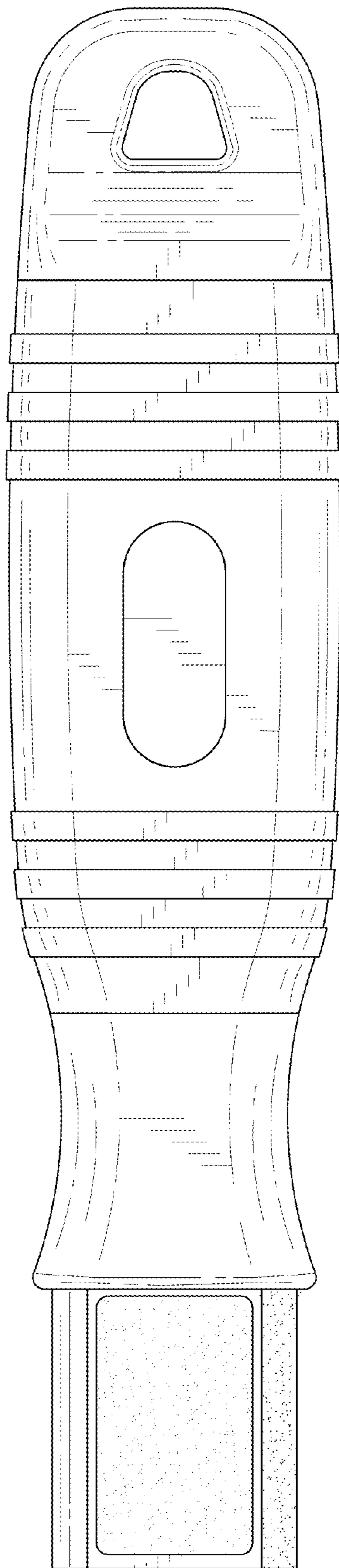


Fig. 1

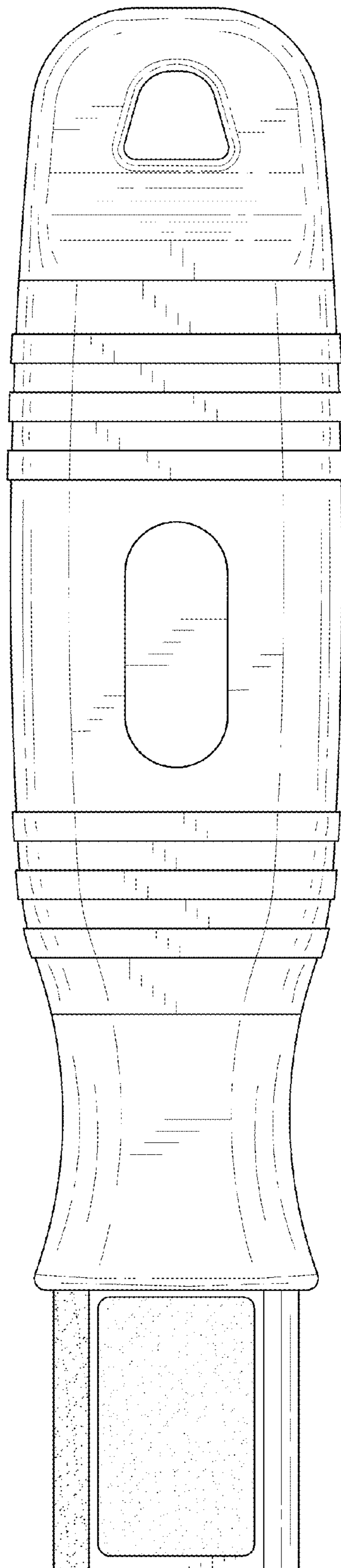


Fig. 2

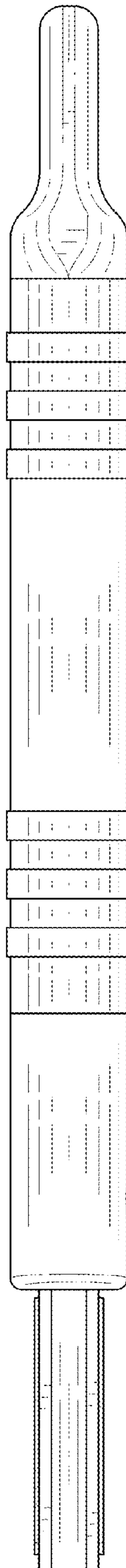


Fig.3

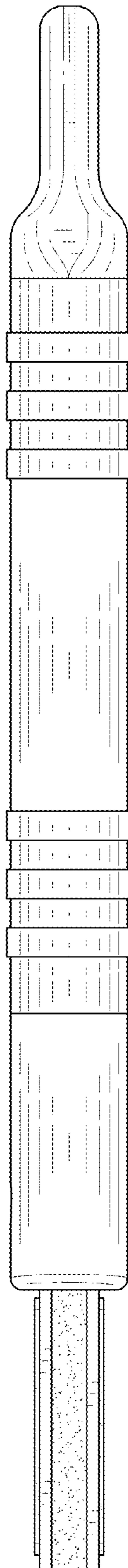


Fig. 4

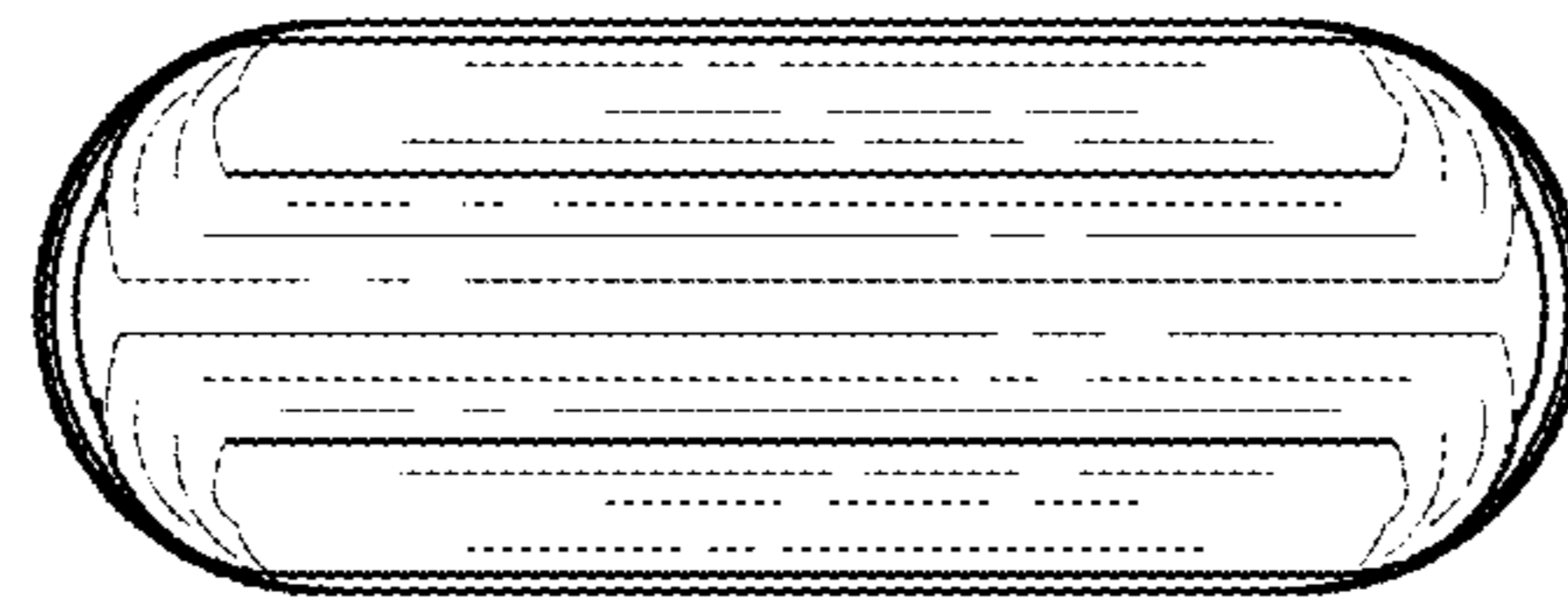


Fig. 5

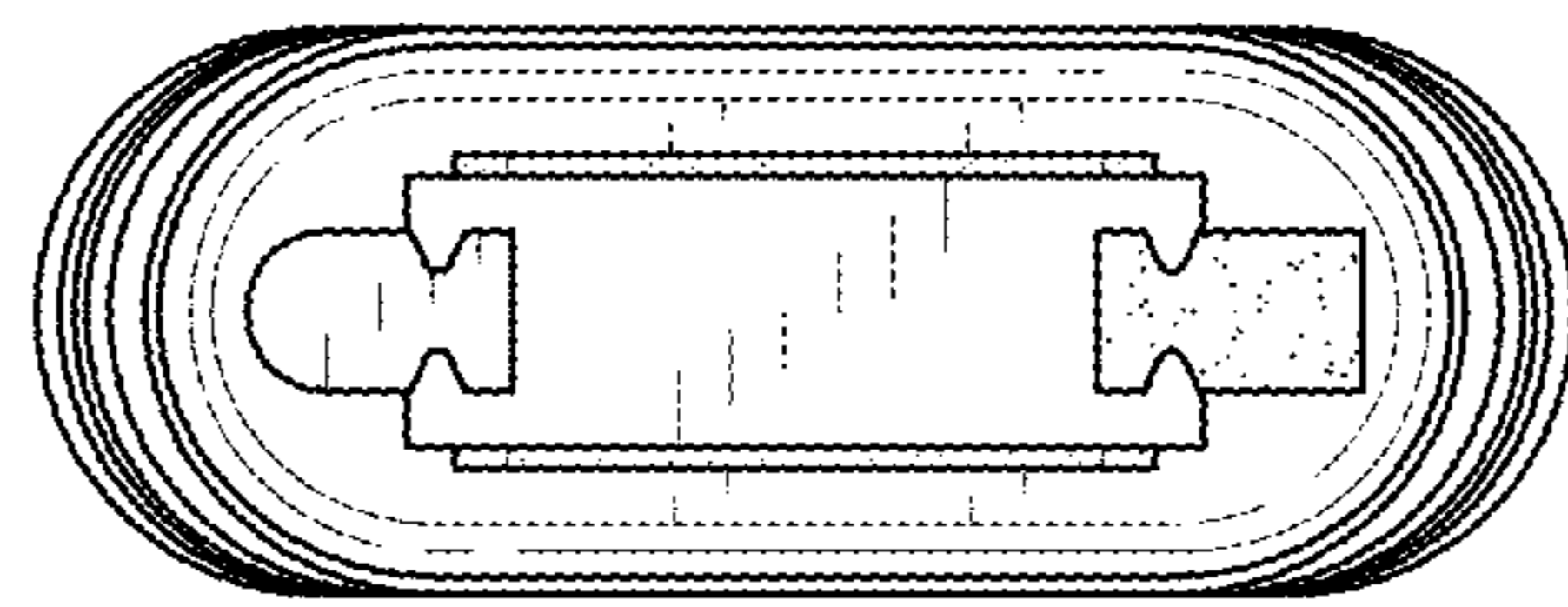


Fig. 6

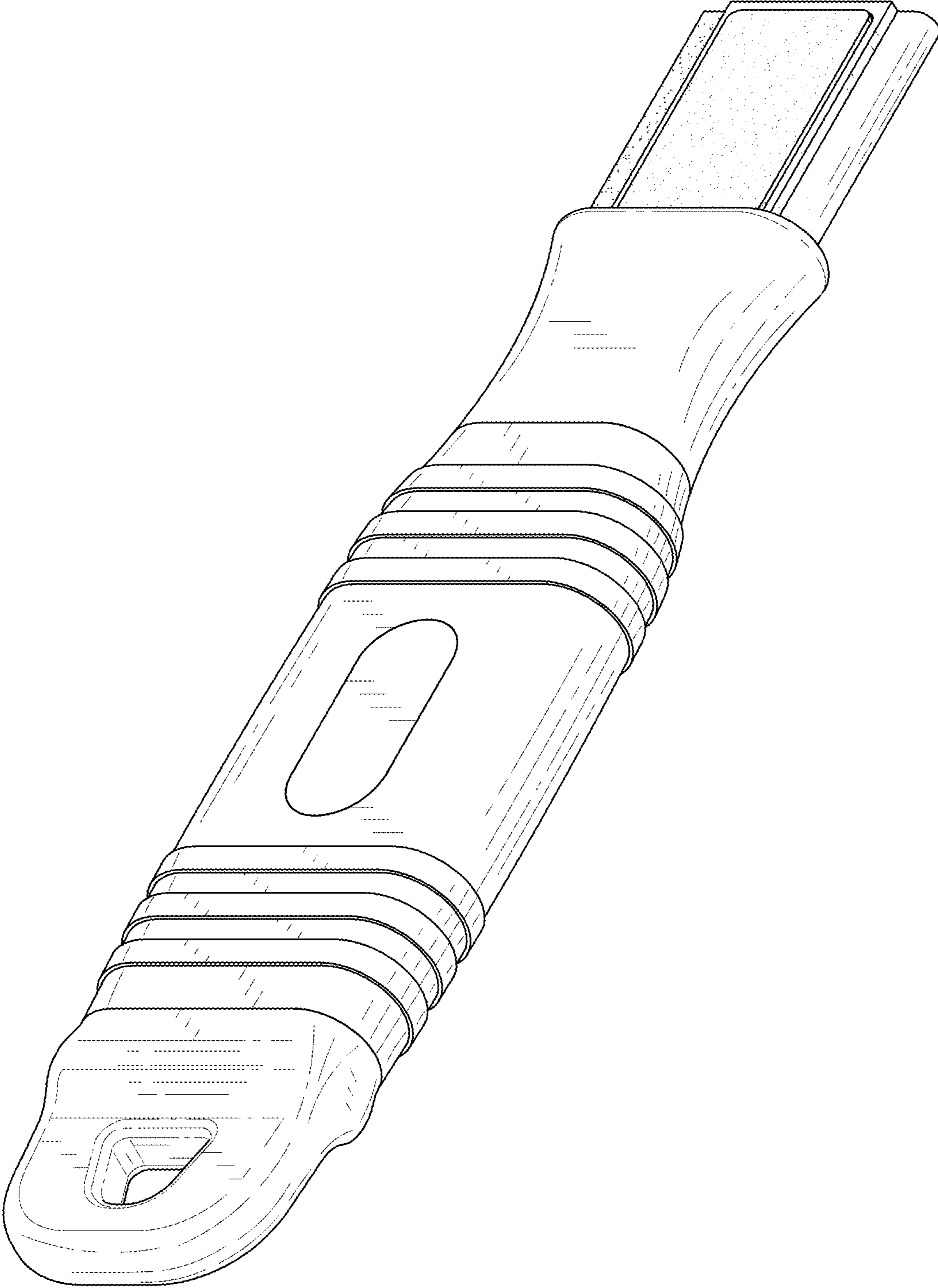


Fig. 7