



US00D947642S

(12) **United States Design Patent**
Masalin et al.

(10) **Patent No.:** **US D947,642 S**
(45) **Date of Patent:** **** Apr. 5, 2022**

- (54) **AXE**
- (71) Applicant: **Fiskars Finland Oy Ab**, Helsinki (FI)
- (72) Inventors: **Petteri Masalin**, Helsinki (FI); **Mikko Kemppi**, Helsinki (FI); **Sami Lyytikäinen**, Helsinki (FI); **Juha Huhtala**, Helsinki (FI)
- (73) Assignee: **FISKARS FINLAND OY AB**, Helsinki (FI)
- (**) Term: **15 Years**
- (21) Appl. No.: **29/738,385**
- (22) Filed: **Jun. 17, 2020**

Related U.S. Application Data

- (62) Division of application No. 29/682,560, filed on Mar. 6, 2019, now Pat. No. Des. 909,845.

Foreign Application Priority Data

- Sep. 6, 2018 (EM) 005631173
- (51) **LOC (13) Cl.** **08-02**
- (52) **U.S. Cl.**
USPC **D8/76; D8/80**
- (58) **Field of Classification Search**
USPC D8/75, 76, 77, 78, 79, 80, 81, 107
CPC . B26B 23/00; B25F 1/00; B25F 1/006; A01B
1/20; A62B 3/005; B24D 1/00; B25G
1/04; B25G 3/28
See application file for complete search history.

References Cited

U.S. PATENT DOCUMENTS

- 5,141,353 A * 8/1992 Meredith, Jr. B25G 1/10
294/57
- D354,212 S * 1/1995 Ronnholm D8/76

- D356,480 S * 3/1995 Ronnholm D8/76
- D362,795 S * 10/1995 Ronnholm D8/76
- D402,874 S * 12/1998 Hall D8/76
- D519,813 S * 5/2006 Hung D8/76
- D583,641 S * 12/2008 Fortier D8/76
- D594,727 S * 6/2009 Fortier D8/76
- D622,122 S * 8/2010 Branby D8/76
- D648,610 S * 11/2011 Paloheimo D8/78

(Continued)

Primary Examiner — Philip S Hyder

(74) *Attorney, Agent, or Firm* — Leason Ellis LLP

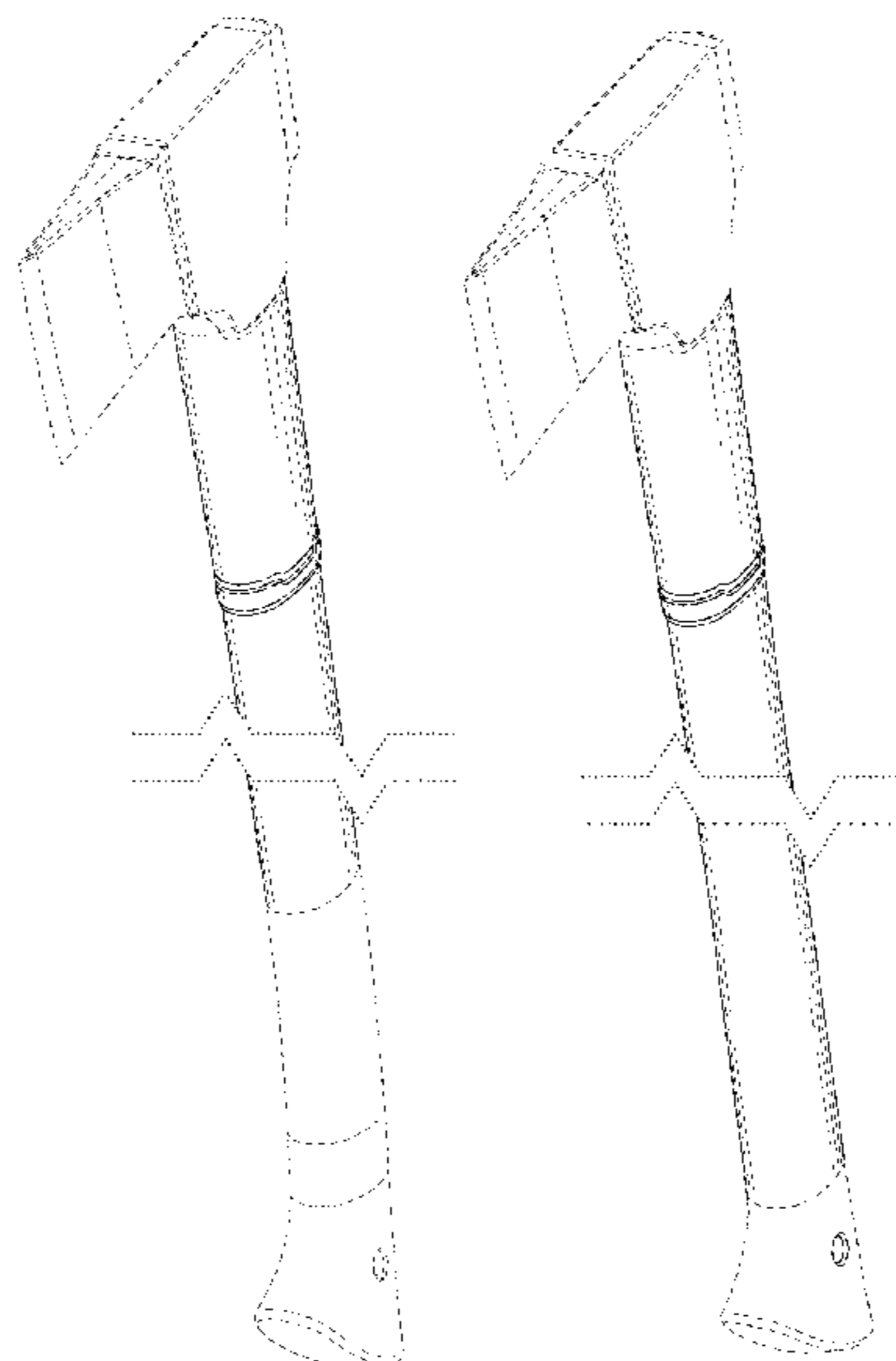
(57) **CLAIM**

The ornamental design for an axe, as shown and described.

DESCRIPTION

FIG. 1 is a perspective view of an axe according to our new design, showing a first embodiment;
 FIG. 2 is a front view thereof;
 FIG. 3 is a rear view thereof;
 FIG. 4 is a left side view thereof;
 FIG. 5 is a right view thereof;
 FIG. 6 is a top plan view thereof; and
 FIG. 7 is a bottom plan view thereof.
 FIG. 8 is a perspective view of an axe according to our new design, showing a second embodiment;
 FIG. 9 is a front view thereof;
 FIG. 10 is a rear view thereof;
 FIG. 11 is a left side view thereof;
 FIG. 12 is a right view thereof;
 FIG. 13 is a top plan view thereof; and
 FIG. 14 is a bottom plan view thereof.
 Conventional shading and shadows are illustrated for purposes of highlighting the solid-rendering and line drawings, but form no part of the claimed design.
 The appearance of any portion of the axe illustrated in the first and second embodiments between the break lines, including the case of there being no portion therebetween, forms no part of the claimed design.

1 Claim, 14 Drawing Sheets



(56)

References Cited

U.S. PATENT DOCUMENTS

D760,054 S *	6/2016	Huttunen	D8/76
D784,784 S *	4/2017	Huttunen	D8/80
D808,759 S *	1/2018	Nelson	D8/76
D818,337 S *	5/2018	Nelson	D8/76
D854,903 S *	7/2019	Nelson	D8/76

* cited by examiner

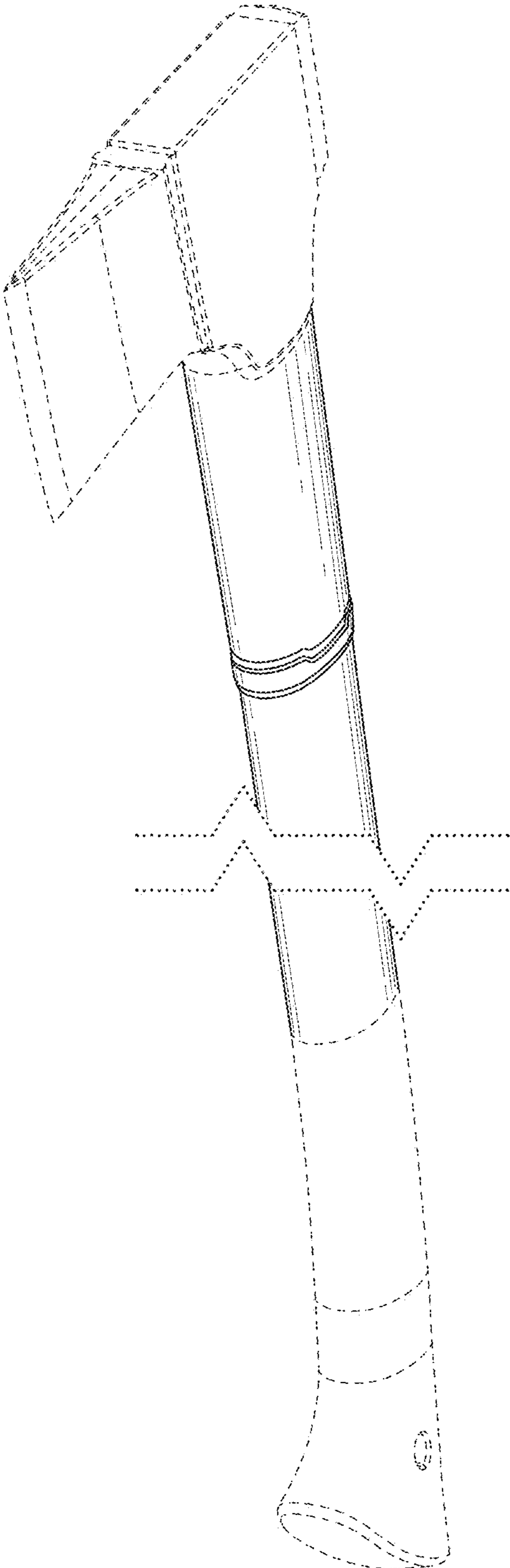


FIG. 1

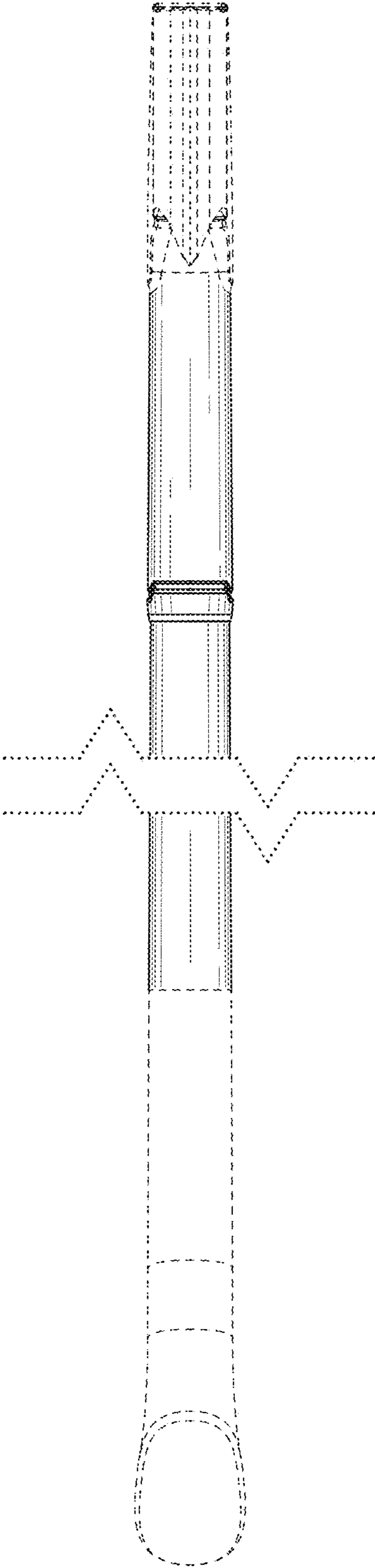


FIG. 2

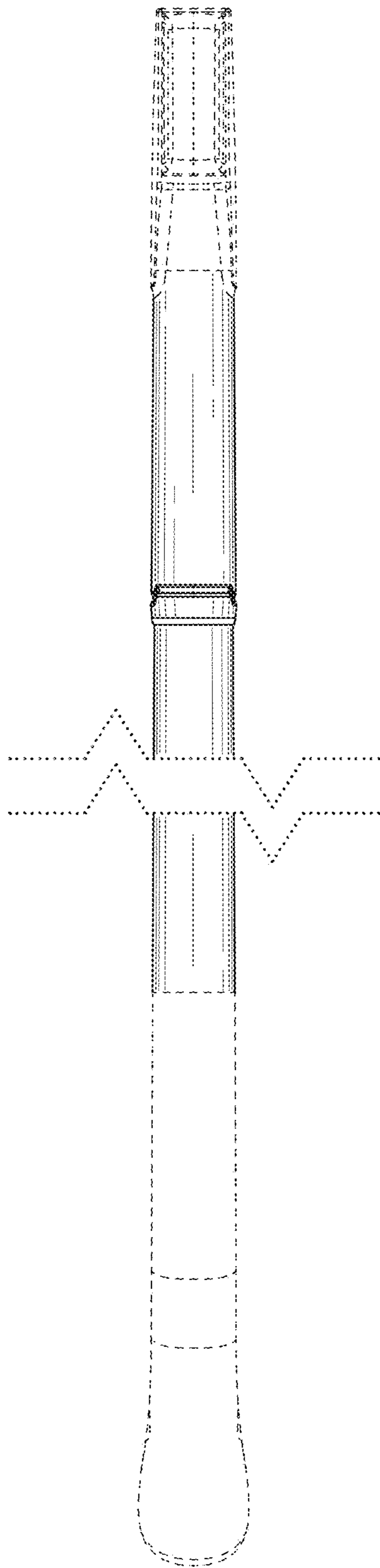


FIG. 3

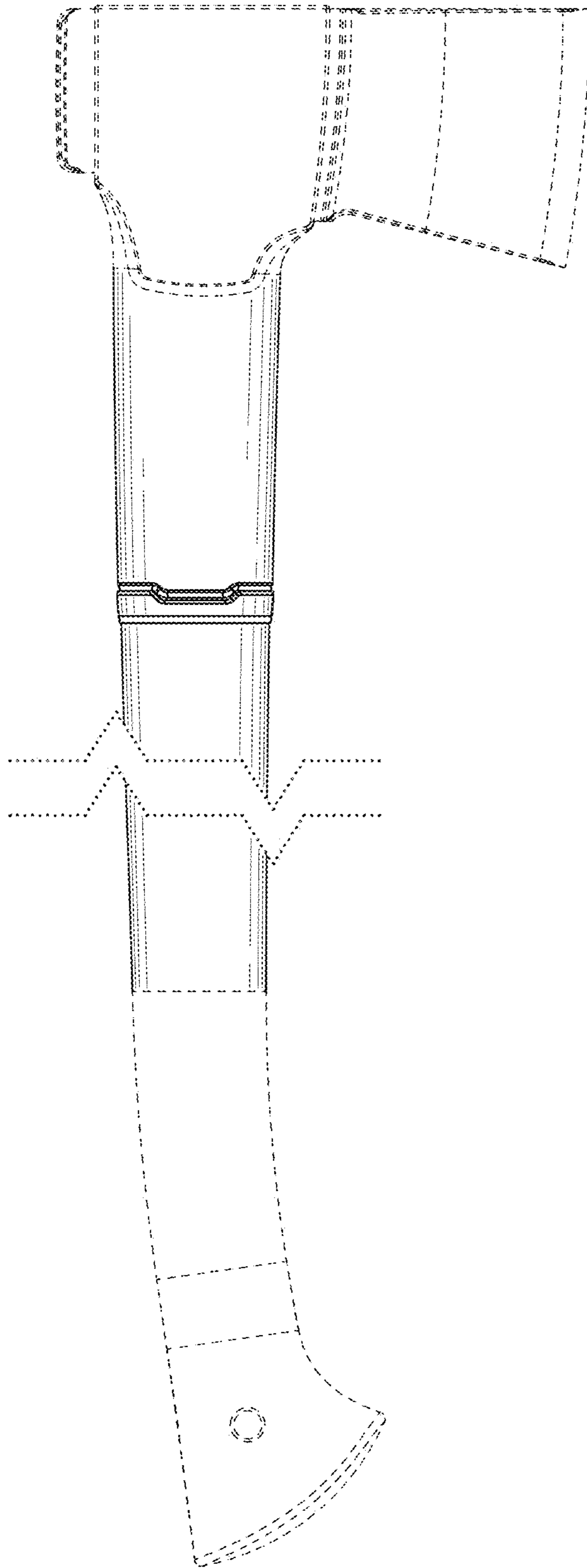


FIG. 4

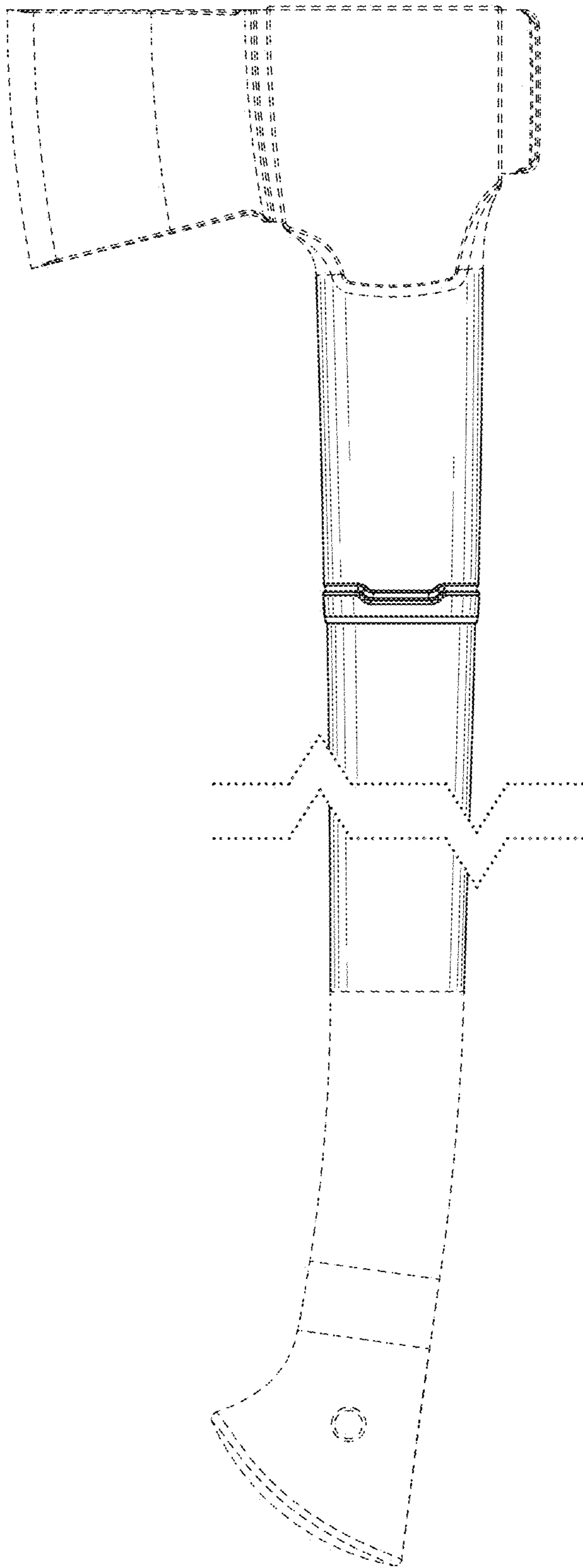


FIG. 5



FIG. 6



FIG. 7

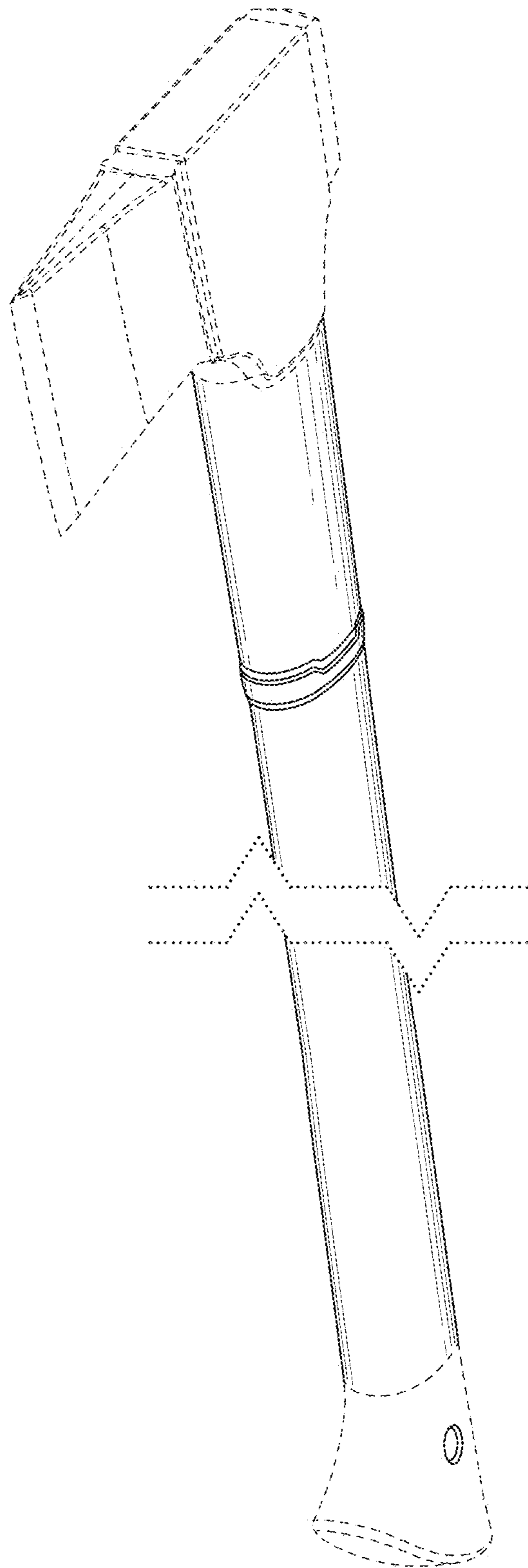


FIG. 8

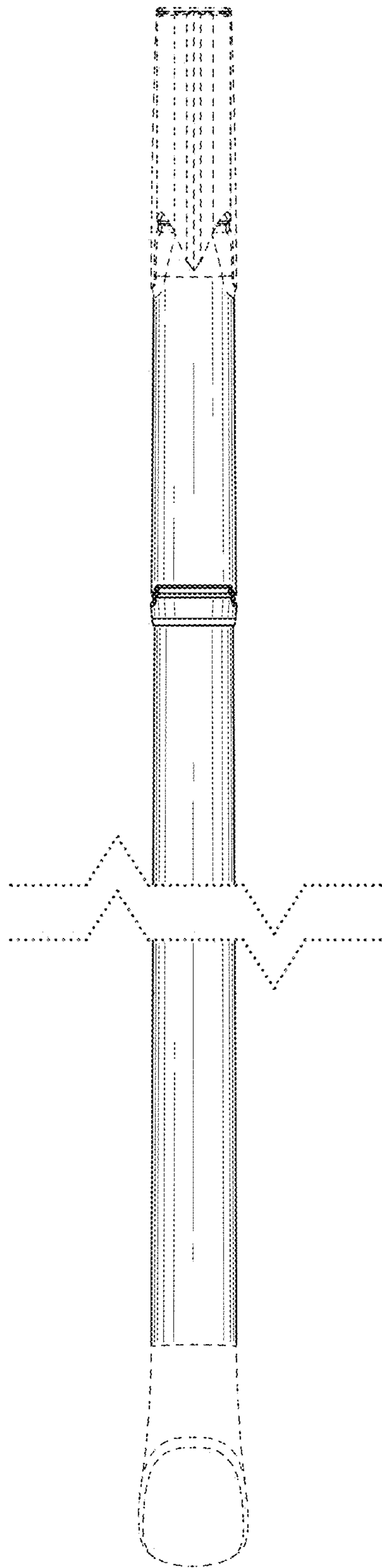


FIG. 9

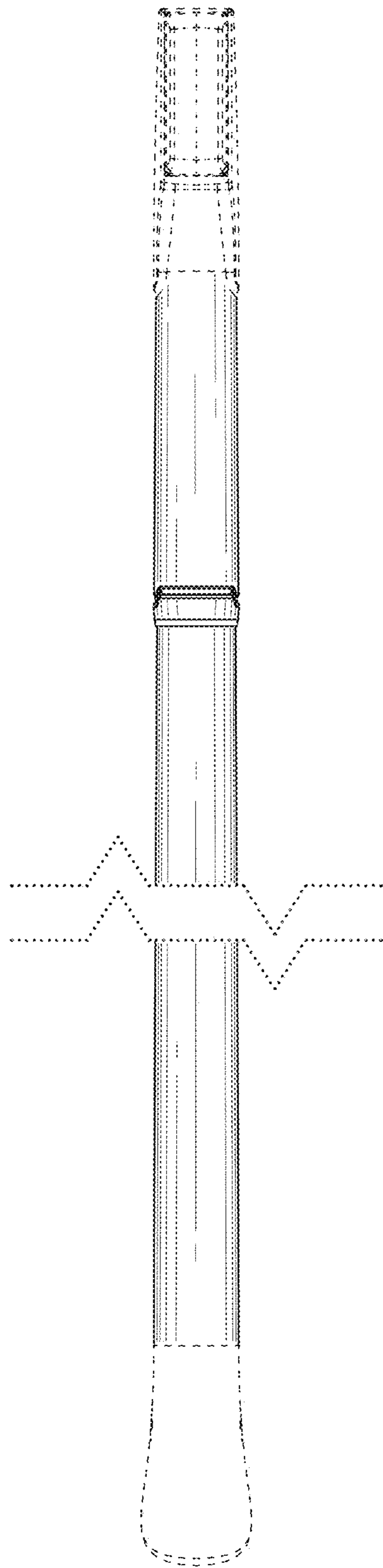


FIG. 10

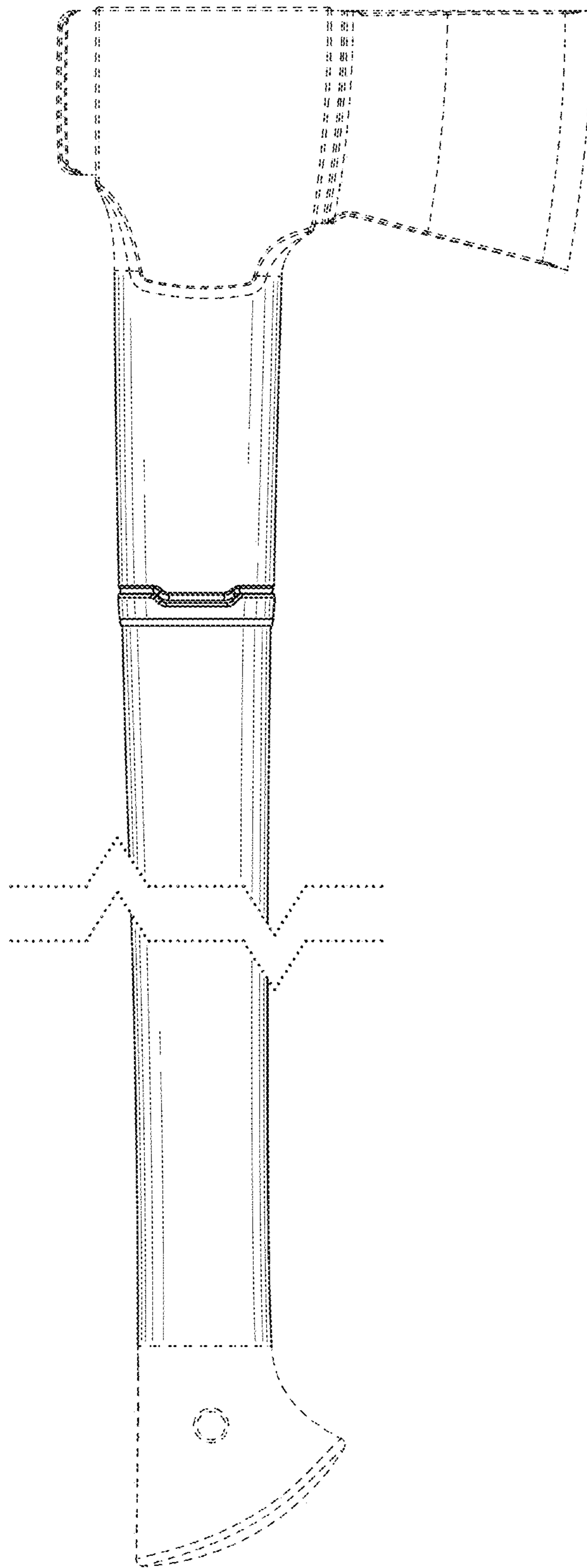


FIG. 11

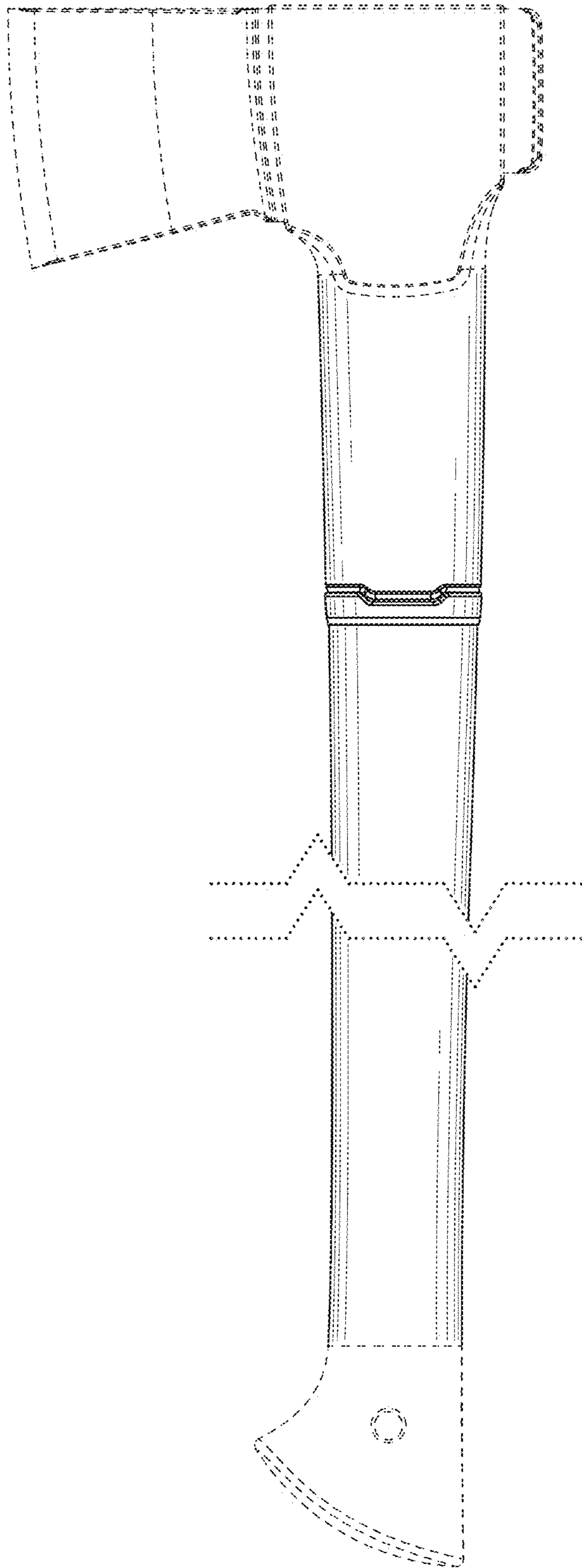


FIG. 12



FIG. 13

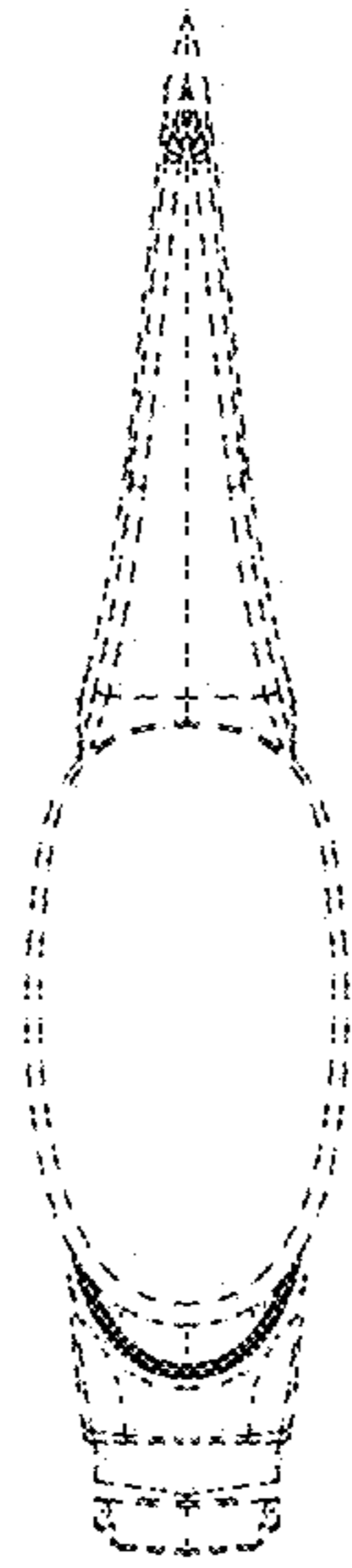


FIG. 14