



US00D947641S

(12) **United States Design Patent**  
**Brinson**

(10) **Patent No.:** **US D947,641 S**

(45) **Date of Patent:** **\*\* Apr. 5, 2022**

- (54) **HAMMER**
- (71) Applicant: **Southwire Company, LLC**, Carrollton, GA (US)
- (72) Inventor: **Taylor Mykle Brinson**, Mableton, GA (US)
- (73) Assignee: **Southwire Company, LLC**, Carrollton, GA (US)
- (\*\*) Term: **15 Years**

7,066,052	B2	6/2006	Chen	
7,168,339	B2	1/2007	Nau	
D607,296	S	1/2010	Vanderbeek	
D628,870	S	12/2010	Jerabek et al.	
8,113,091	B2	2/2012	Chen	
8,141,458	B1	3/2012	Spencer et al.	
8,261,634	B2	9/2012	St. John et al.	
D672,218	S *	12/2012	Youngren	D8/78
8,534,643	B2	9/2013	Lombardi et al.	
8,770,548	B2	7/2014	Hanlon	
D716,628	S	11/2014	West	
8,973,467	B2	3/2015	Bronee	
D736,051	S *	8/2015	Chen	D8/78

(Continued)

- (21) Appl. No.: **29/709,129**
- (22) Filed: **Oct. 11, 2019**
- (51) **LOC (13) Cl.** ..... **08-02**
- (52) **U.S. Cl.**  
USPC ..... **D8/75**
- (58) **Field of Classification Search**  
USPC ..... D8/75, 76, 77, 78, 79, 80, 81, 105, 107  
CPC ... B25D 1/00; B25D 1/02; B25D 1/04; B25D 1/045; B25D 1/06; B25D 1/10; B25D 1/12; B25G 1/102  
See application file for complete search history.

FOREIGN PATENT DOCUMENTS

WO WO 2017/078658 5/2017

*Primary Examiner* — Philip S Hyder

(74) *Attorney, Agent, or Firm* — Merchant & Gould P.C.

(57) **CLAIM**

The ornamental design for a hammer, as shown and described.

**DESCRIPTION**

FIG. 1 is a right side perspective view of a hammer, according to an example embodiment of the present invention.

FIG. 2 is a right side view of the hammer shown in FIG. 1.

FIG. 3 is a left side view of the hammer shown in FIG. 1.

FIG. 4 is a top view of the hammer shown in FIG. 1.

FIG. 5 is a bottom view of the hammer shown in FIG. 1.

FIG. 6 is a back side view of the hammer shown in FIG. 1; and,

FIG. 7 is a front side view of the hammer shown in FIG. 1.

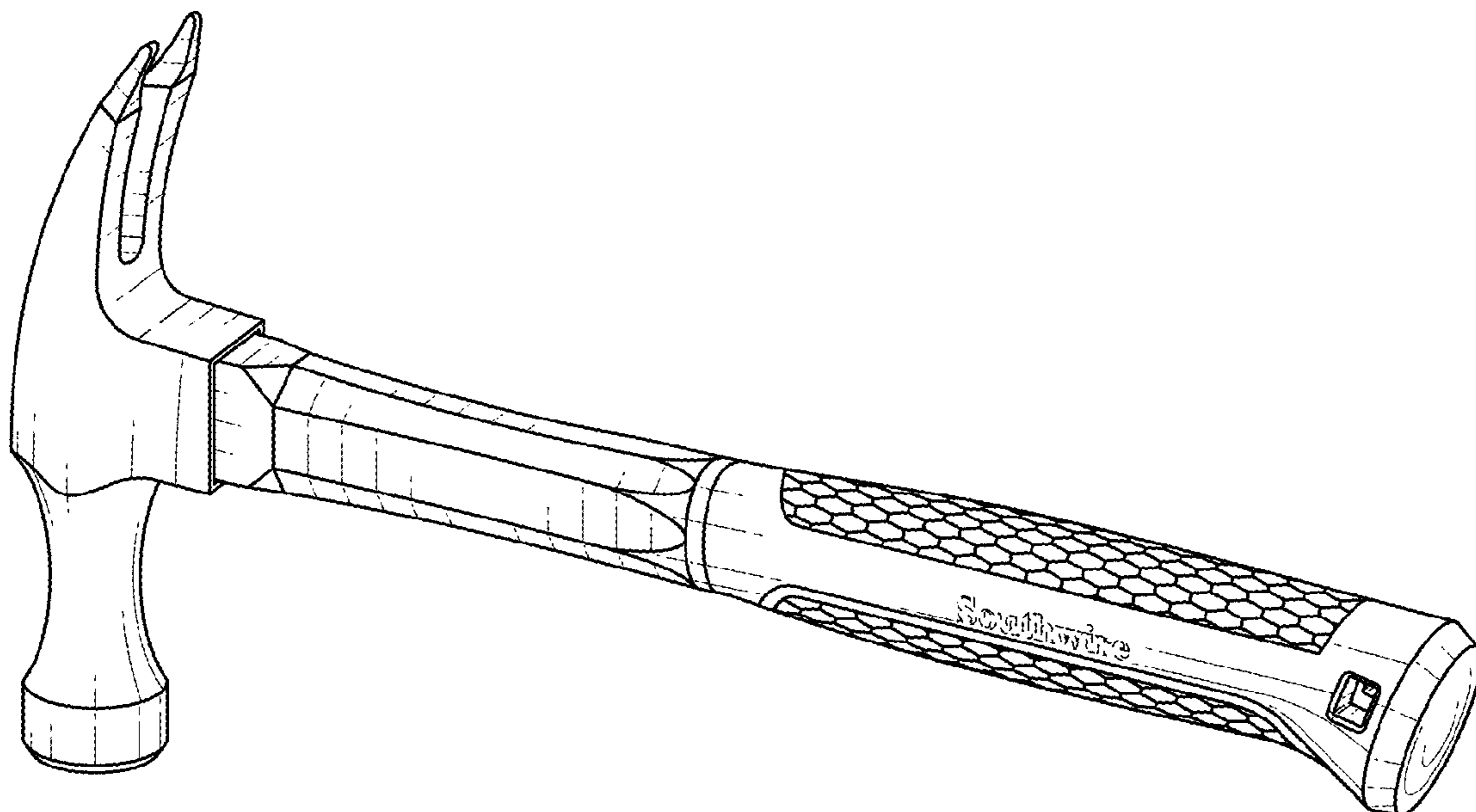
The broken lines are included for the purpose of illustrating an environment, and form no part of the claimed design.

**1 Claim, 2 Drawing Sheets**

(56) **References Cited**

U.S. PATENT DOCUMENTS

4,465,115	A	8/1984	Palomera
4,723,582	A	2/1988	Caspall
5,159,858	A	11/1992	Gansen
5,372,053	A	12/1994	Lee
5,802,933	A	9/1998	Hebert et al.
5,988,019	A	11/1999	Coonrad
5,988,020	A	11/1999	Johnson
6,332,376	B1	12/2001	Hurley
6,339,974	B1	1/2002	Kotschner et al.
D475,598	S	6/2003	Hung
6,598,858	B2	7/2003	Santa Cruz et al.
6,923,432	B1	8/2005	Martinez



(56)

**References Cited**

U.S. PATENT DOCUMENTS

9,168,648 B2 10/2015 Lombardi  
D742,712 S \* 11/2015 Zhang ..... D8/75  
9,233,462 B2 1/2016 LaPorte  
D752,938 S 4/2016 West et al.  
D779,300 S 2/2017 Nelson  
9,802,304 B2 10/2017 West et al.  
D826,024 S \* 8/2018 Yu ..... D8/75  
D826,673 S \* 8/2018 Nelson ..... D8/75  
D826,674 S \* 8/2018 Nelson ..... D8/75  
D826,675 S \* 8/2018 Nelson ..... D8/75  
D826,676 S \* 8/2018 Nelson ..... D8/75  
2007/0089571 A1 4/2007 Chen  
2007/0113709 A1 \* 5/2007 Krallman ..... B25D 1/045  
81/22  
2010/0038609 A1 2/2010 Chen  
2011/0314970 A1 12/2011 Chen  
2015/0107417 A1 \* 4/2015 LaPorte ..... B25G 1/10  
81/20  
2016/0199968 A1 7/2016 Yu et al.  
2019/0255691 A1 \* 8/2019 Paulsen ..... B25D 1/02

\* cited by examiner

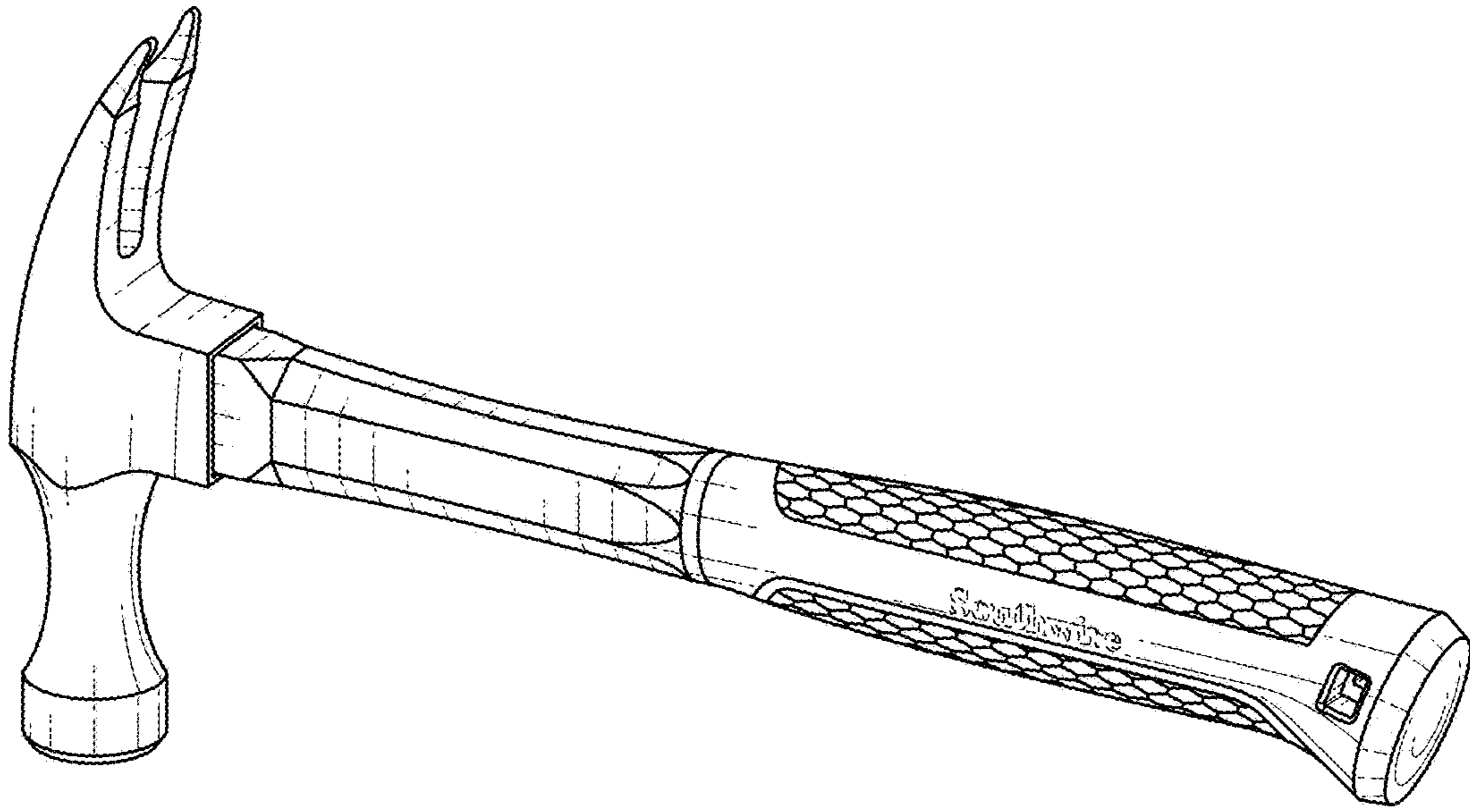


FIG. 1

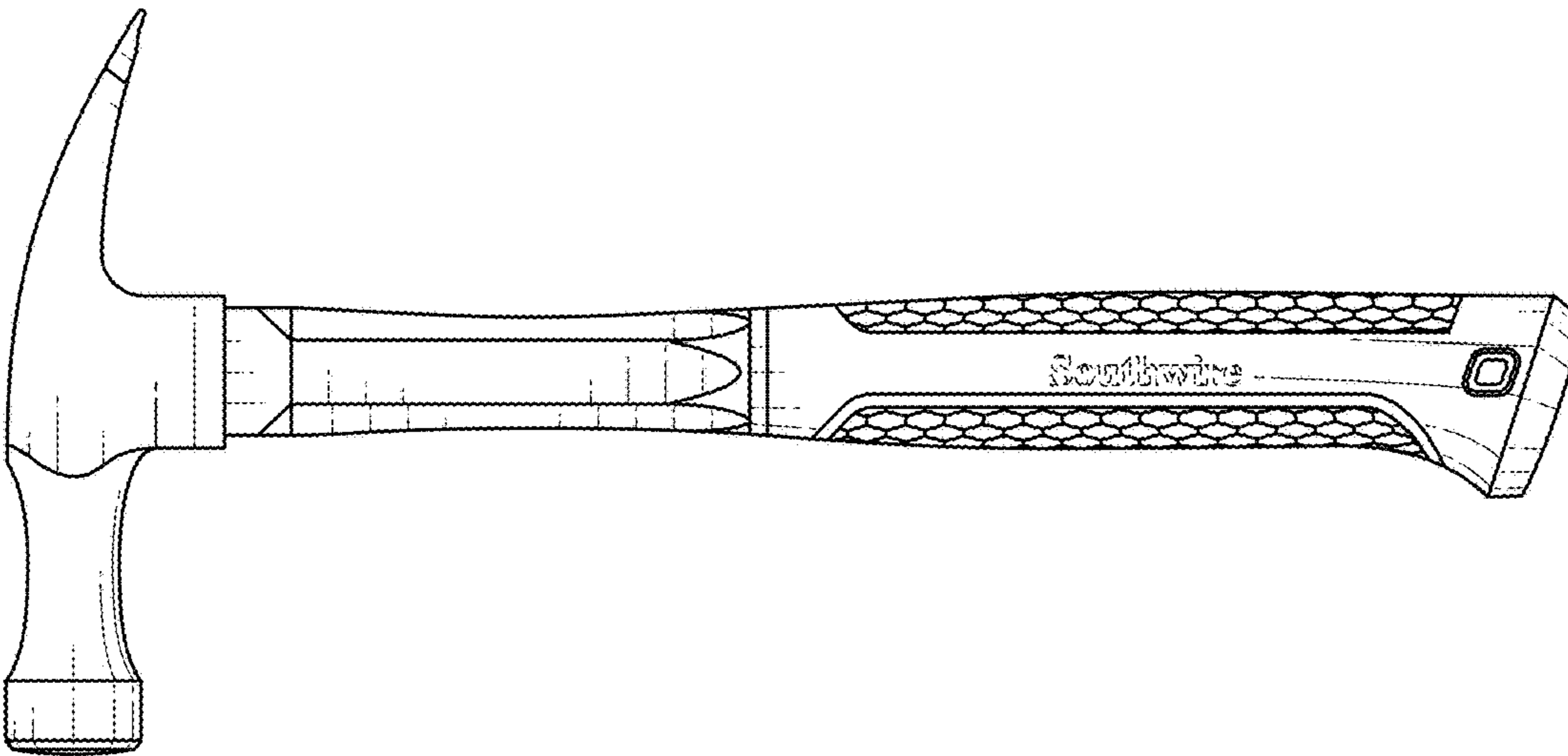


FIG. 2

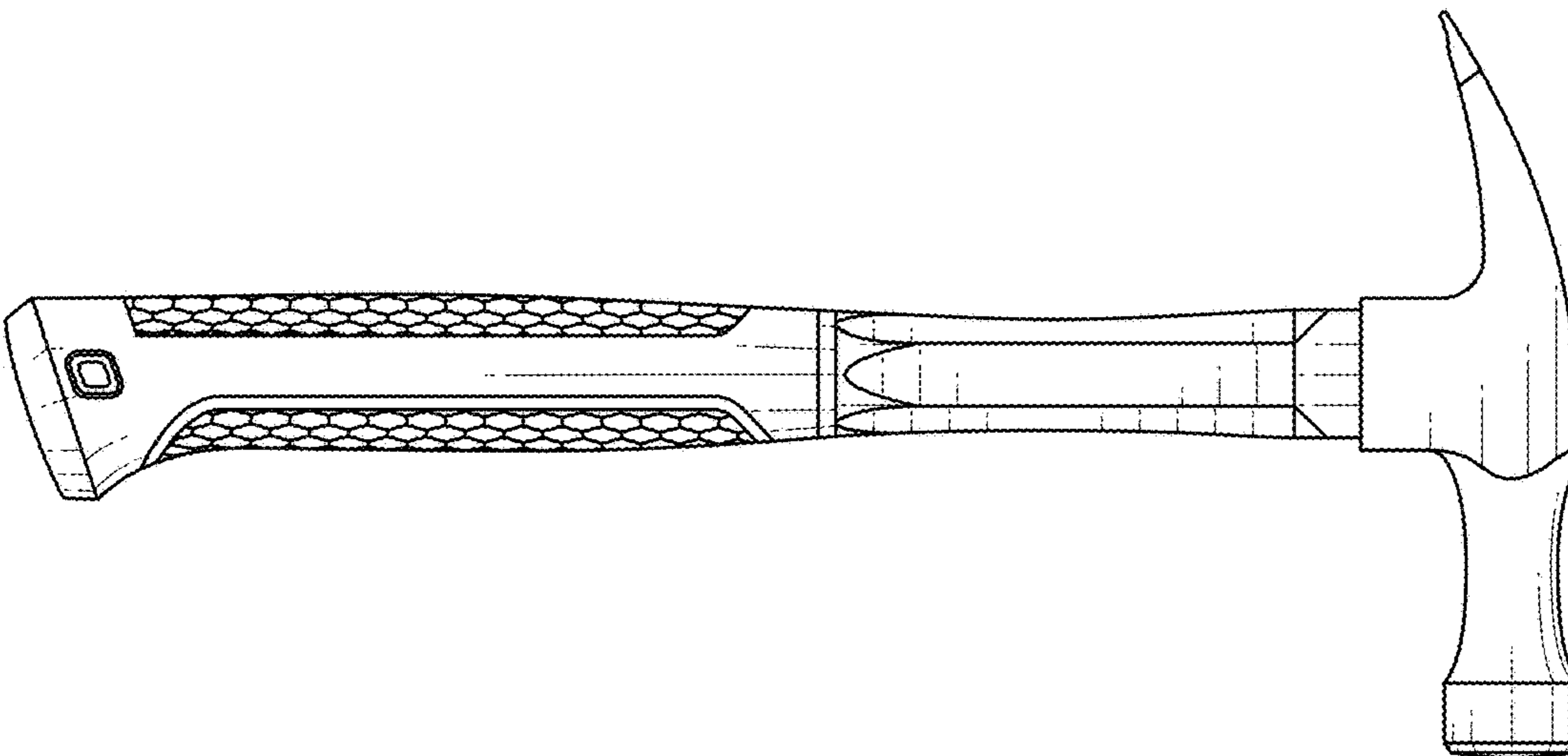


FIG. 3

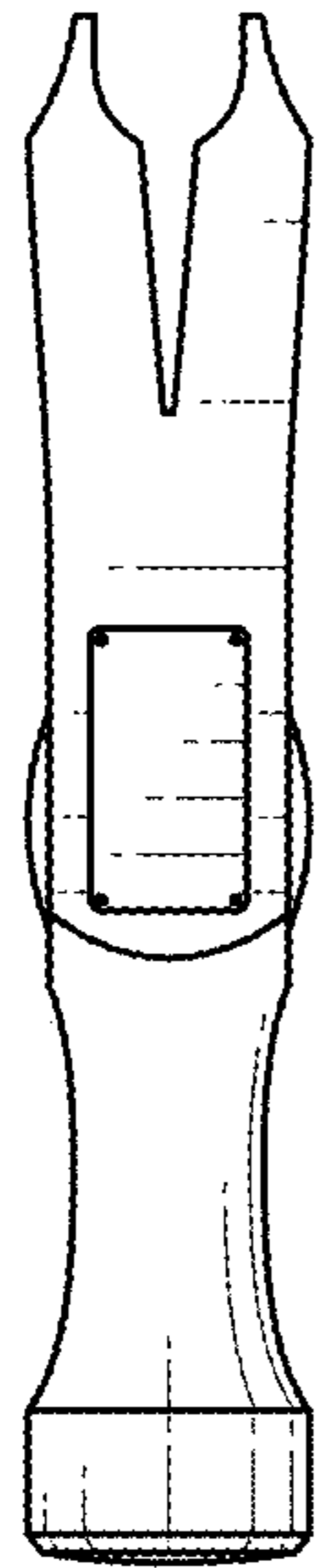


FIG. 4

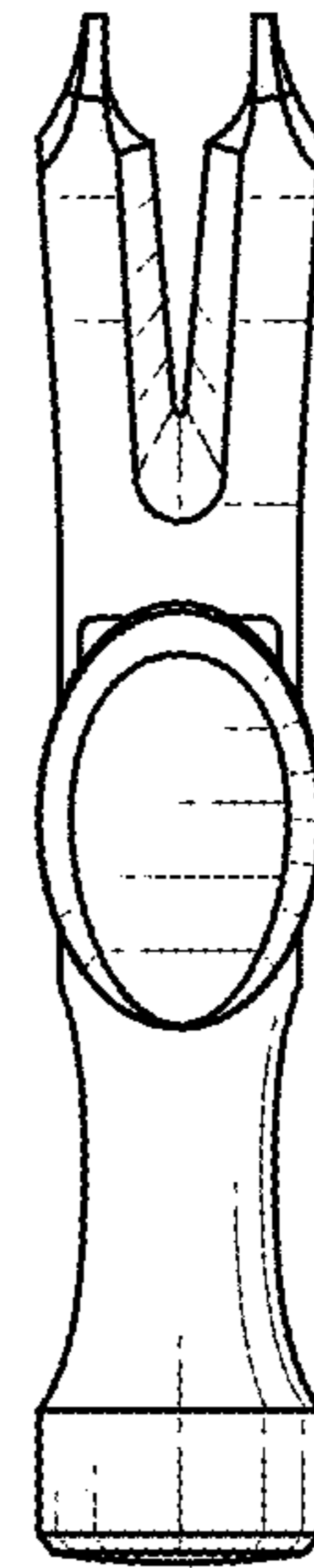


FIG. 5

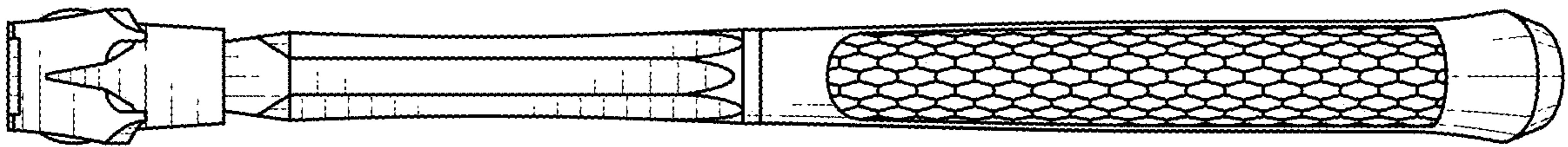


FIG. 6

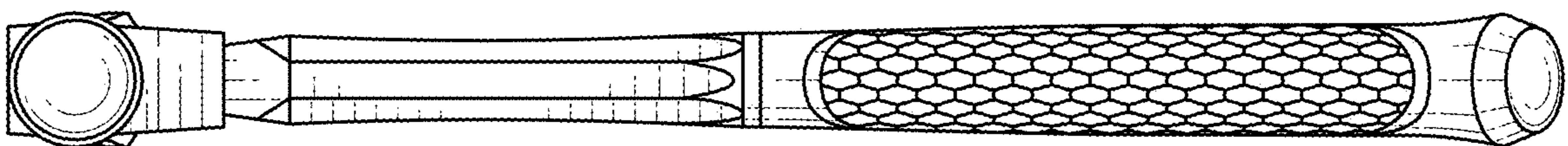


FIG. 7