



US00D947640S

(12) **United States Design Patent**
Kobayashi et al.

(10) **Patent No.:** **US D947,640 S**

(45) **Date of Patent:** **** Apr. 5, 2022**

- (54) **ELECTRIC GRIPPER**
- (71) Applicant: **MINEBEA MITSUMI Inc.**, Nagano (JP)
- (72) Inventors: **Shuji Kobayashi**, Tokyo (JP); **Shotaro Miyawaki**, Tokyo (JP); **Yukimasa Funasugi**, Kanagawa (JP); **Chizumi Moteki**, Nagano (JP); **Shinichi Narita**, Nagano (JP)
- (73) Assignee: **MINEBEA MITSUMI INC.**, Nagano (JP)

- D609,546 S * 2/2010 Fukano B25B 5/08 D8/72
- D670,159 S 11/2012 Bitarchas
- D670,160 S 11/2012 Bitarchas
- D674,983 S * 1/2013 Auf der Maur B25J 15/0253 D34/35
- D681,438 S 5/2013 Chen
- D681,439 S 5/2013 Chen
- D695,173 S 12/2013 Speery
- D697,394 S 1/2014 Lengacher
- D732,382 S * 6/2015 Zalanca D8/394
- D757,215 S 5/2016 Gehrung

(Continued)

Primary Examiner — Patricia A Palasik

(74) *Attorney, Agent, or Firm* — Pearne & Gordon LLP

(**) Term: **15 Years**

(57) **CLAIM**

(21) Appl. No.: **29/737,866**

The ornamental design for an electric gripper, as shown and described.

(22) Filed: **Jun. 12, 2020**

DESCRIPTION

(30) **Foreign Application Priority Data**

Dec. 13, 2019 (JP) 2019-027701

(51) **LOC (13) Cl.** **08-05**

(52) **U.S. Cl.**
USPC **D8/72**

(58) **Field of Classification Search**
USPC D8/71–72, 394–399, 59; D15/122, 138, D15/199
CPC B25B 1/00; B25B 5/00
See application file for complete search history.

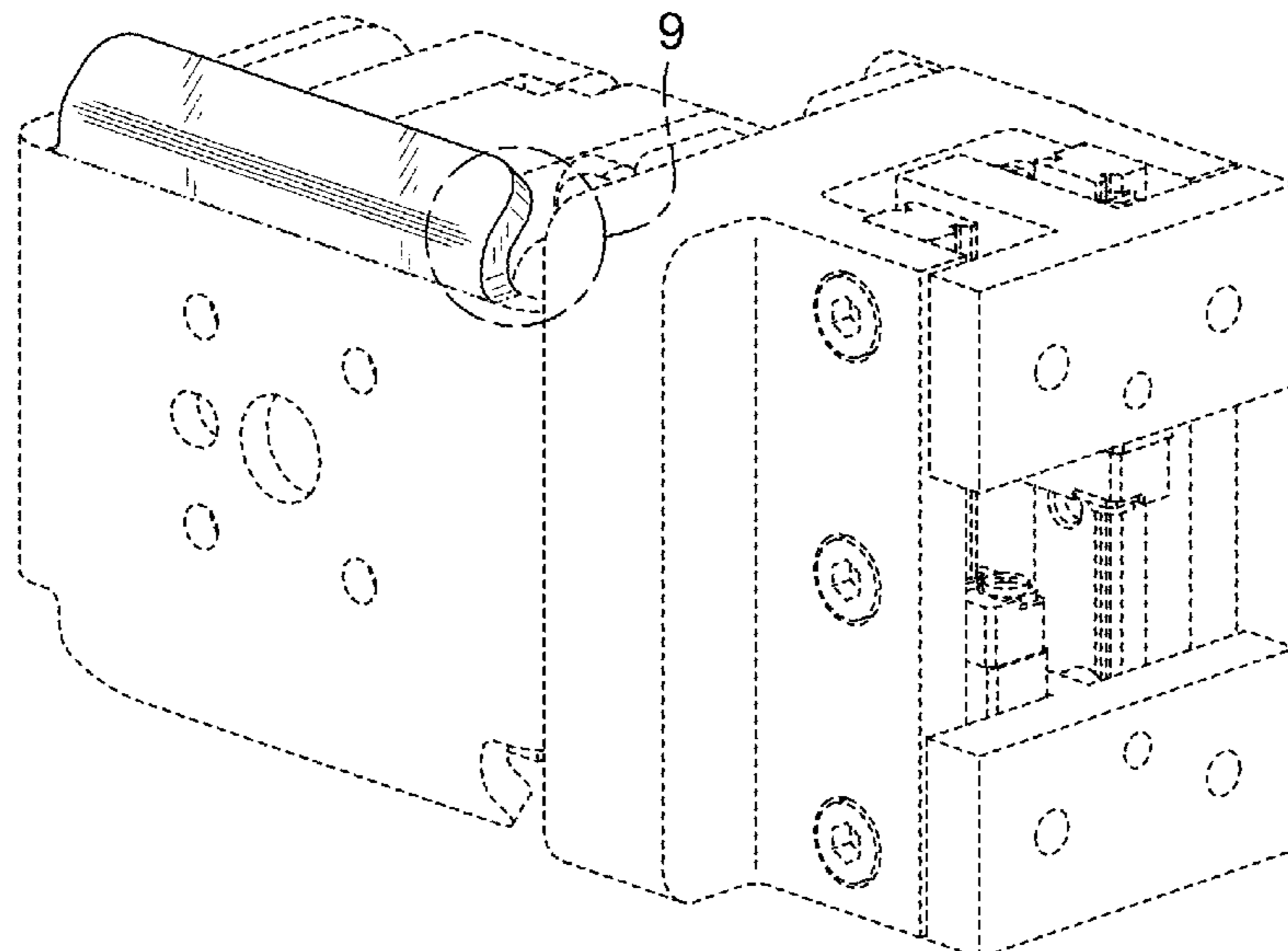
FIG. 1 is a front perspective view of an electric gripper showing our new design;
 FIG. 2 is a rear perspective view thereof;
 FIG. 3 is a front elevational view thereof;
 FIG. 4 is rear elevational view thereof;
 FIG. 5 is a left-side elevational view thereof;
 FIG. 6 is a right-side elevational view thereof;
 FIG. 7 is a top plan view thereof;
 FIG. 8 is bottom plan view thereof;
 FIG. 9 is an enlarged detail view of portion 9 in FIG. 1 thereof; and,
 FIG. 10 is an enlarged detail view of portion 10 in FIG. 2. The evenly dashed broken lines depict portions of the electric gripper that form no part of the claimed design. The dot-dash boundary lines define the boundary of the claimed design and form no part of the claimed design. The dot-dash broken lines shown in enlarged detail portion views FIGS. 9-10 indicate cutoff boundaries and form no part of the claim.

(56) **References Cited**

U.S. PATENT DOCUMENTS

- 6,938,938 B2 * 9/2005 Risle B25J 15/0253 294/119.1
- D588,431 S * 3/2009 Fukano B25B 5/122 D8/72
- D590,686 S * 4/2009 Fukano B25B 5/087 D8/72

1 Claim, 5 Drawing Sheets



(56)

References Cited

U.S. PATENT DOCUMENTS

D758,178 S	6/2016	Kim	
D811,188 S *	2/2018	Zimmerman H05K 13/0491 D8/72
D811,189 S *	2/2018	Zimmerman D8/72
9,912,130 B1 *	3/2018	Burns H05K 13/0491
D843,806 S	3/2019	Brigham	
D848,254 S	5/2019	Sasaki	
D852,602 S	7/2019	Nguyen	
D858,589 S *	9/2019	Chinalapalli Patta D15/122
D859,953 S	9/2019	Pililaau	
D876,916 S *	3/2020	Matson D8/70
D876,919 S	3/2020	Sawada et al.	
D894,247 S *	8/2020	Ishibashi D15/199
D900,182 S *	10/2020	Haddadin D15/199
D923,680 S *	6/2021	Watanabe D15/199
2001/0038175 A1 *	11/2001	Nagai B25B 5/122 269/237
2004/0113343 A1 *	6/2004	McIntosh B25B 5/087 269/32
2006/0163790 A1 *	7/2006	Xu B25B 5/08 269/32

* cited by examiner

FIG. 1

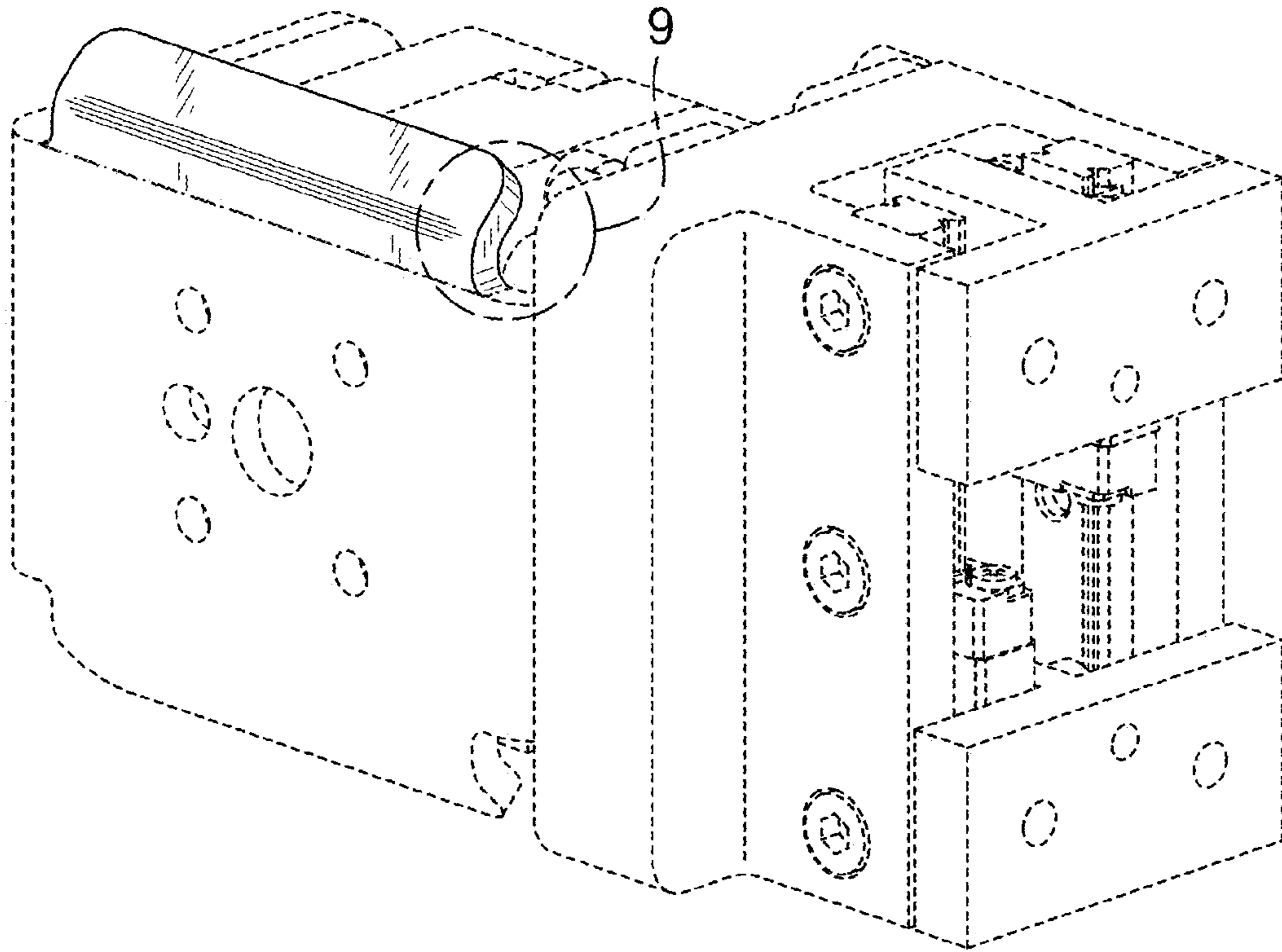


FIG. 2

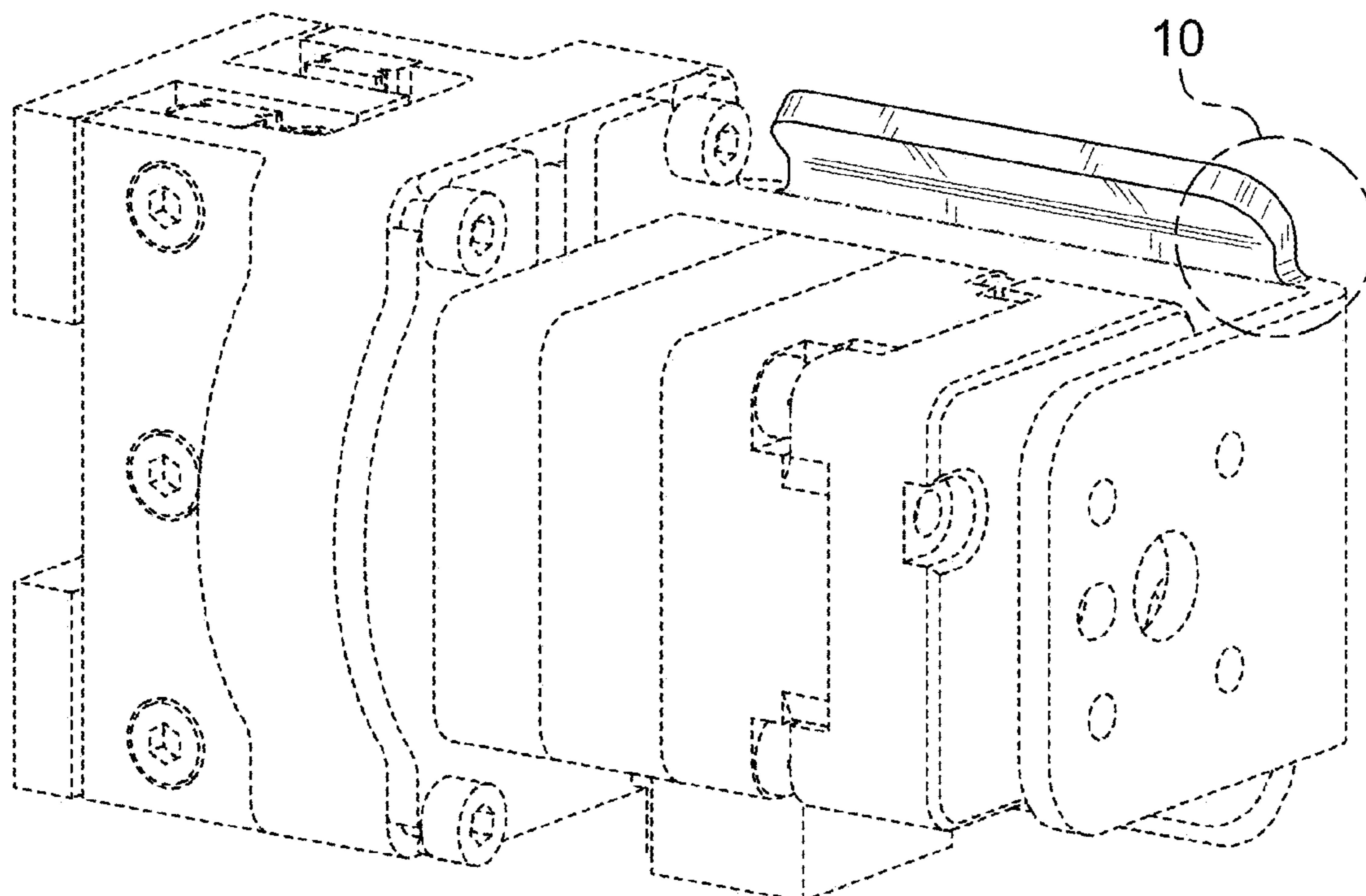


FIG. 3

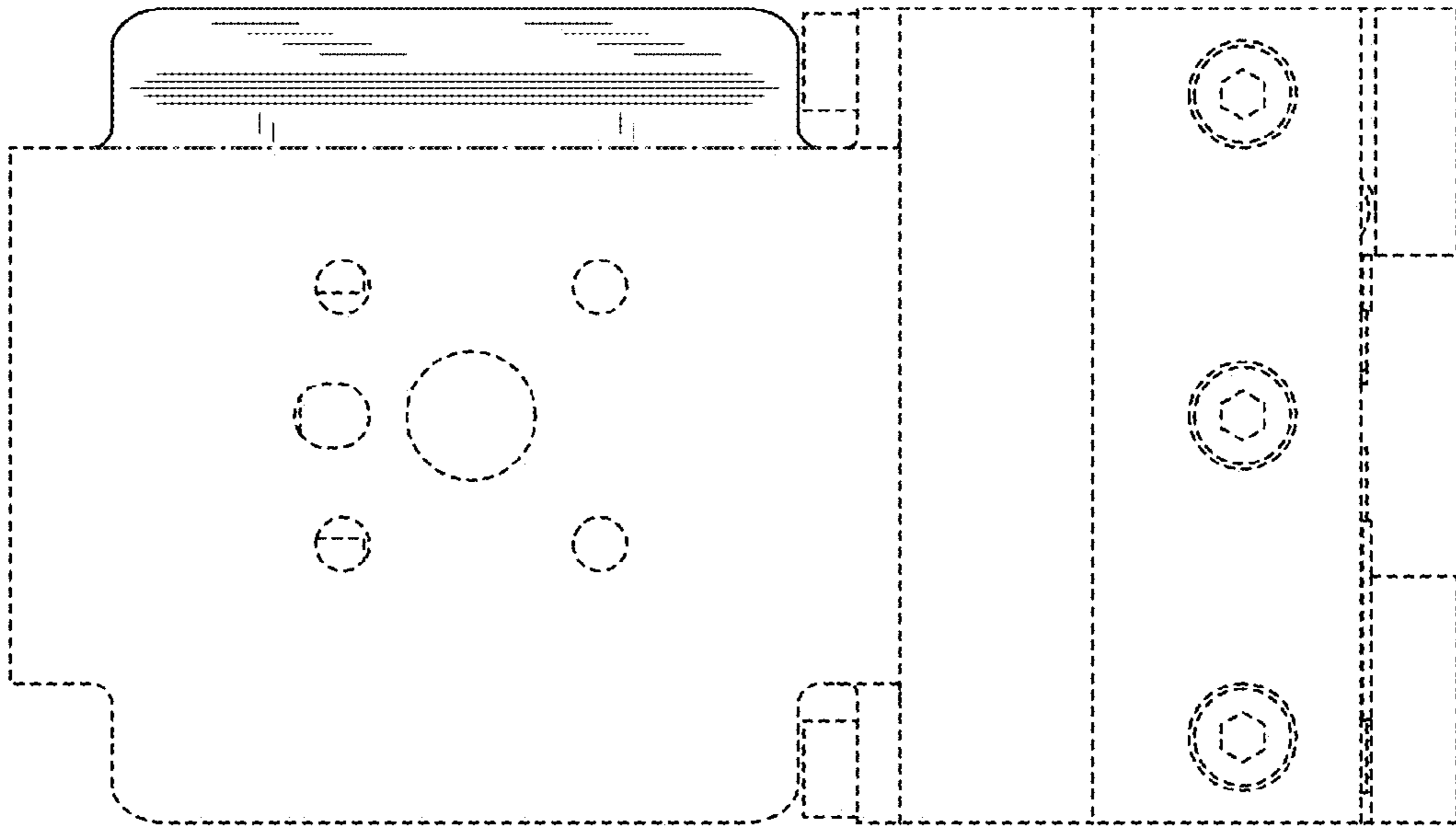


FIG. 4

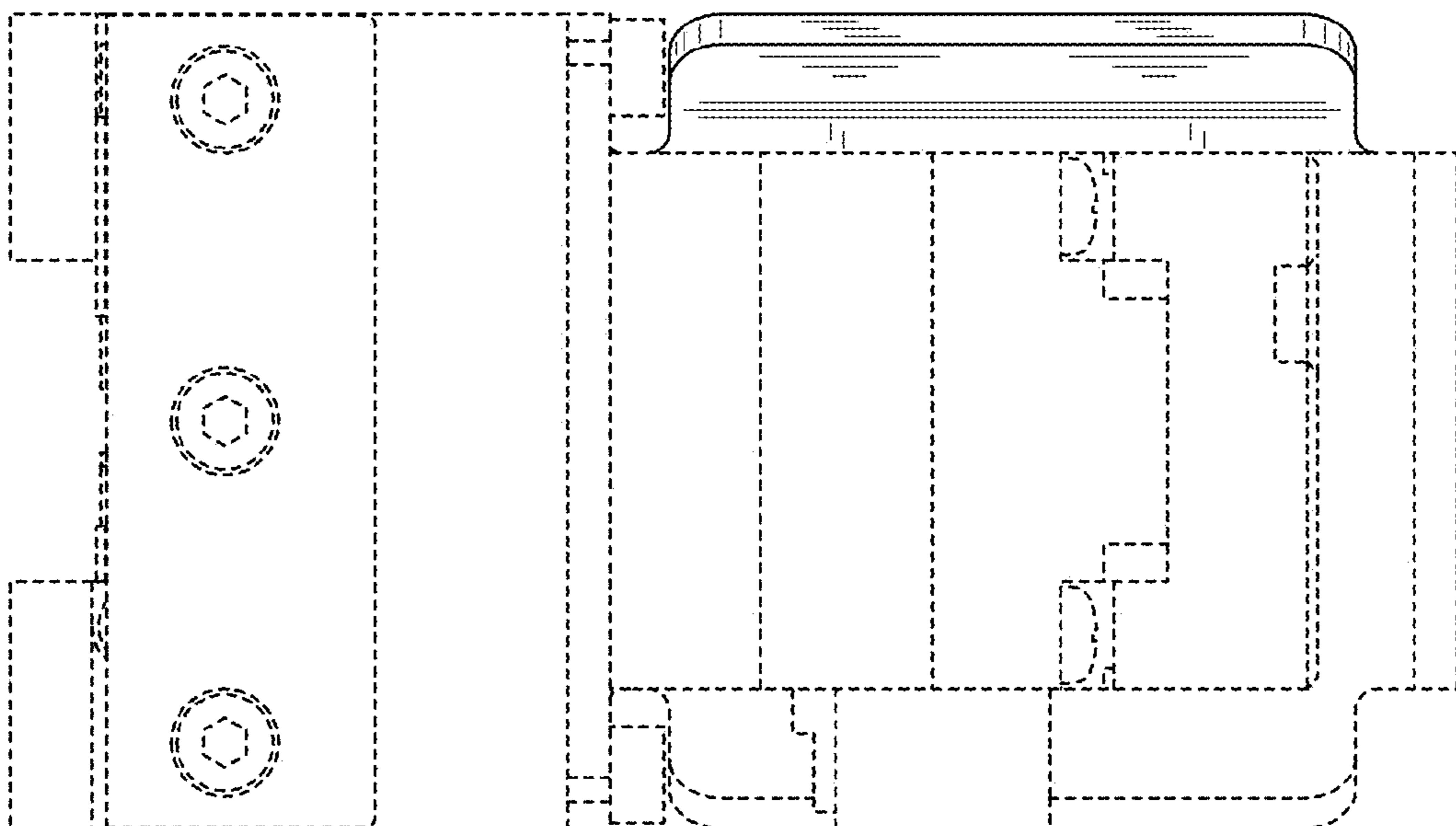


FIG. 5

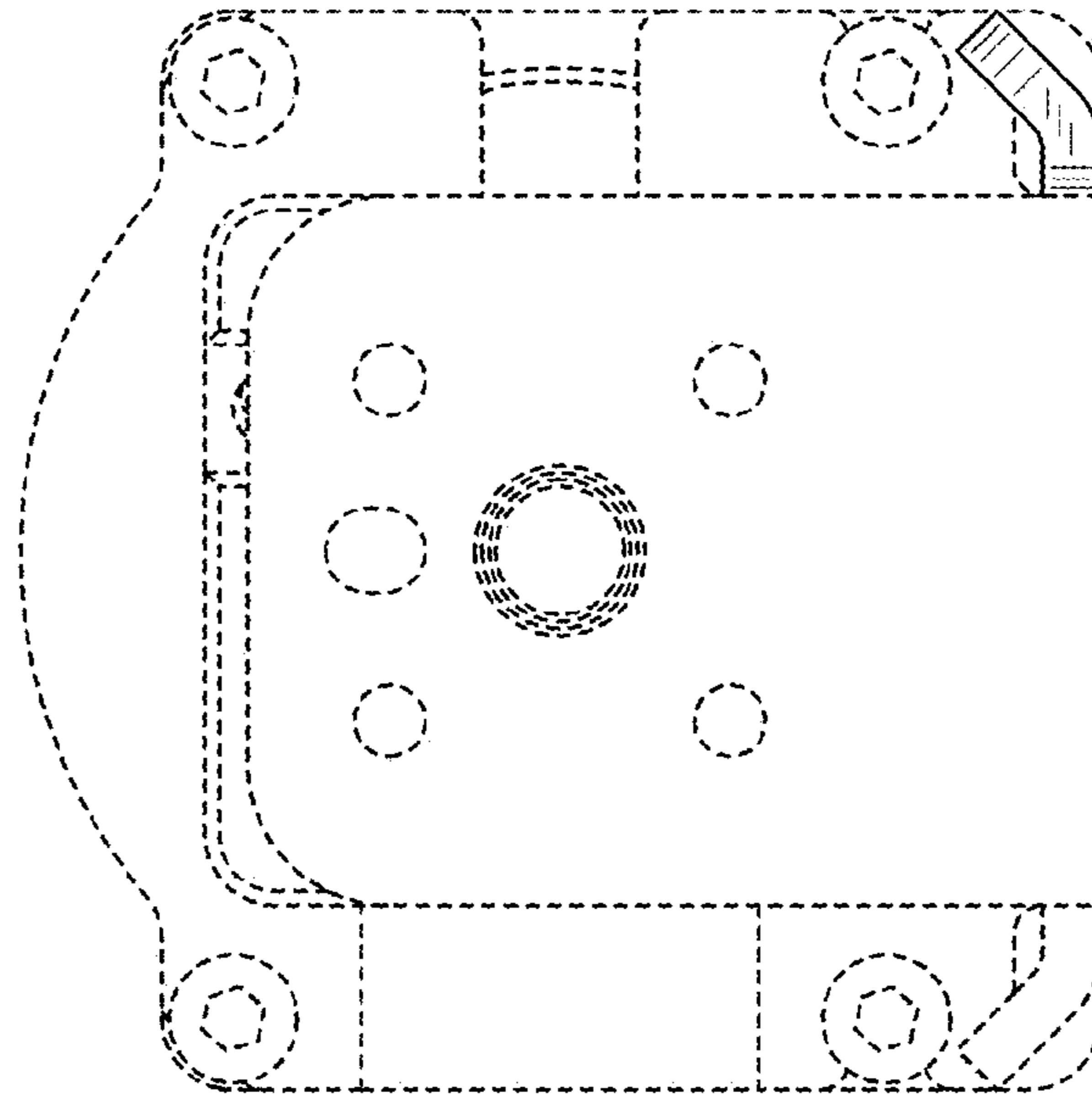


FIG. 6

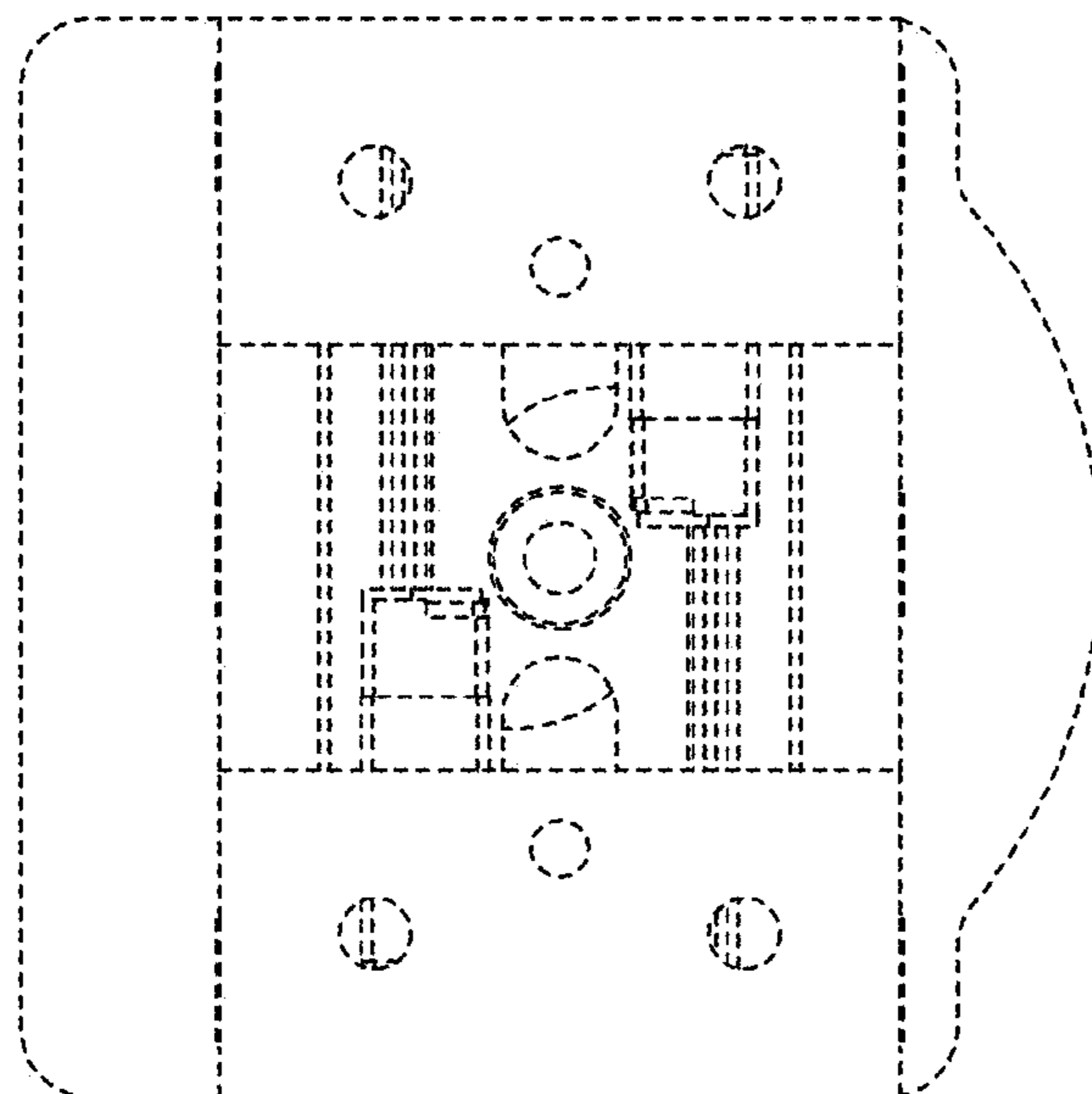


FIG. 7

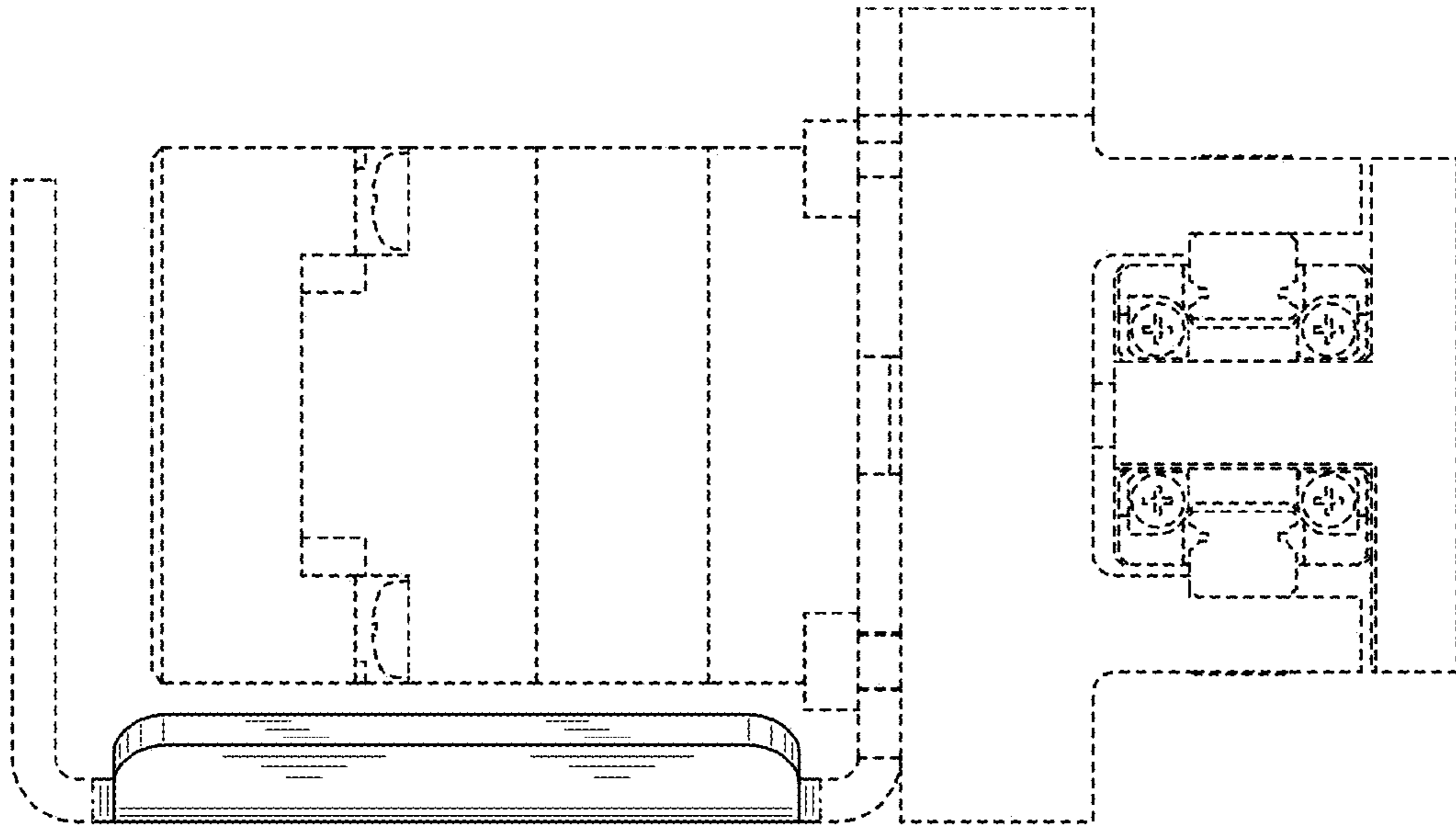


FIG. 8

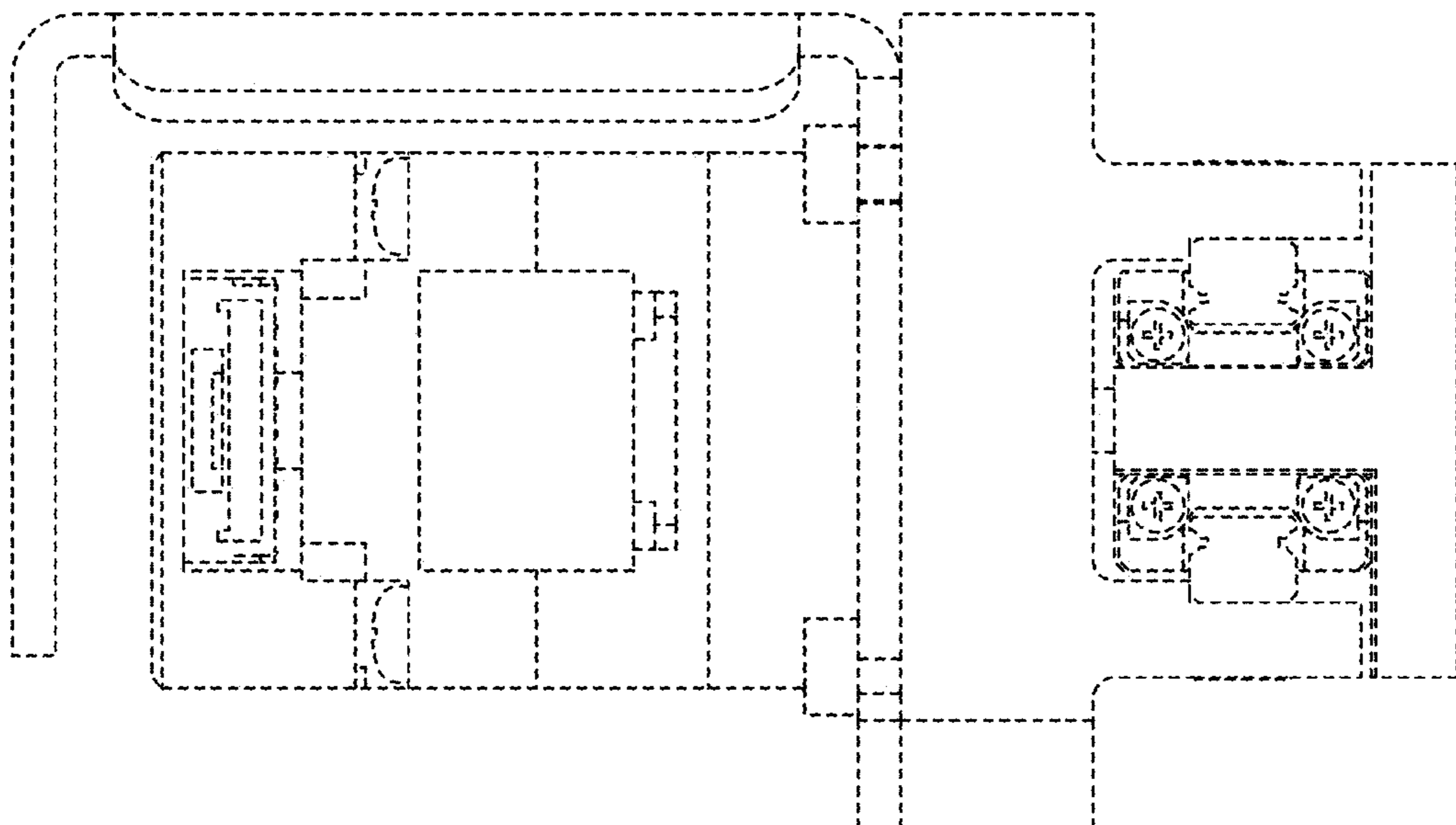


FIG. 9

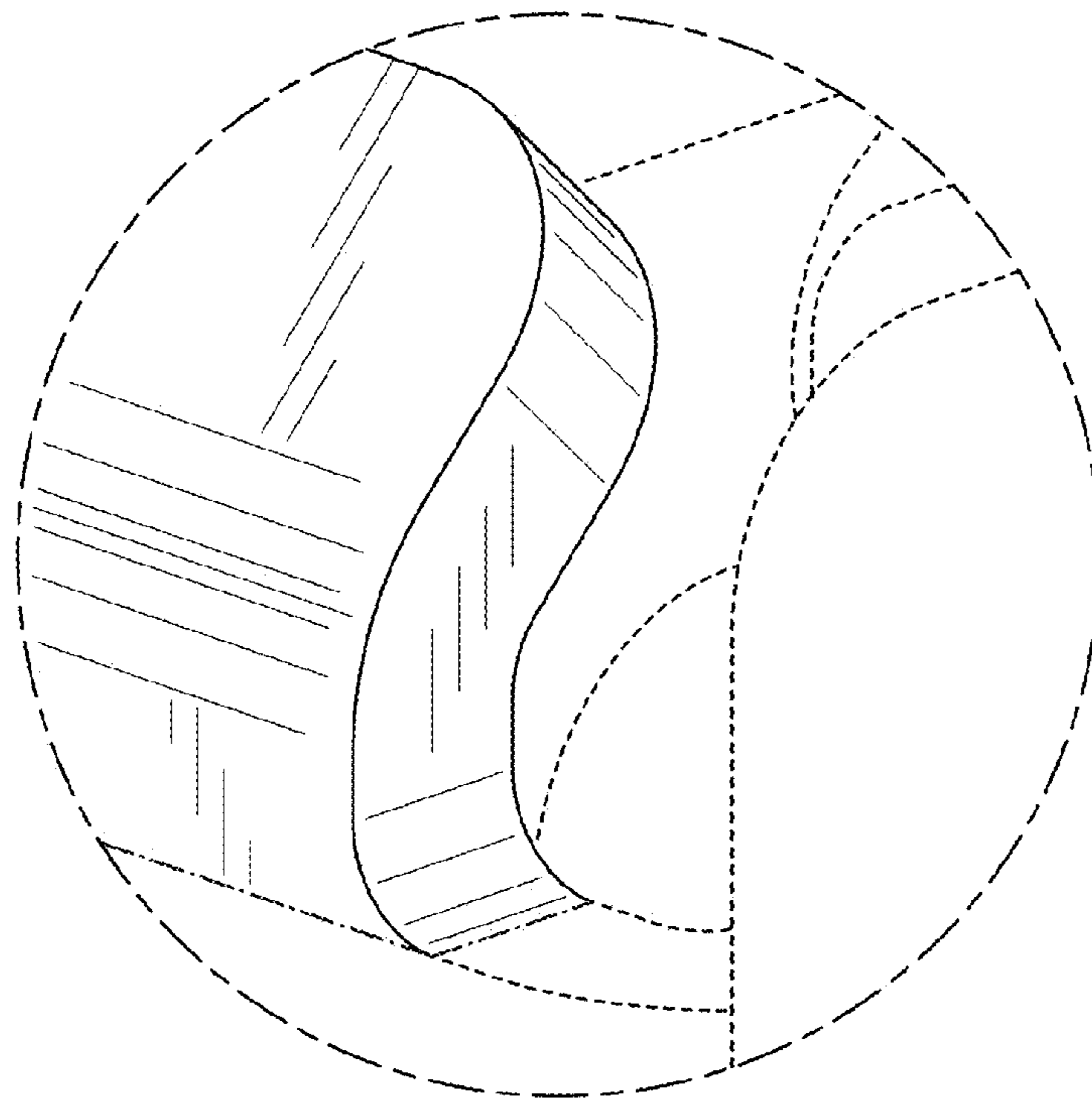


FIG. 10

