



US00D947639S

(12) **United States Design Patent**
Grimes

(10) **Patent No.:** **US D947,639 S**

(45) **Date of Patent:** **** Apr. 5, 2022**

- (54) **GUIDE**
- (71) Applicant: **ALLIED RUBBER & GASKET CO., INC.**, Carlsbad, CA (US)
- (72) Inventor: **James Grimes**, Carlsbad, CA (US)
- (73) Assignee: **Allied Rubber & Gasket Co., Inc.**, Carlsbad, CA (US)

- 5,127,167 A * 7/1992 Kennedy G01C 9/28
33/370
- D356,271 S * 3/1995 Adamik D10/62
- 5,614,875 A * 3/1997 Jang H01P 1/2056
333/202
- 6,029,359 A * 2/2000 Szumer G01C 9/28
33/373
- 6,173,502 B1 * 1/2001 Scarborough G01C 9/28
33/371

(Continued)

(**) Term: **15 Years**

(21) Appl. No.: **29/729,923**

(22) Filed: **Mar. 31, 2020**

(51) **LOC (13) Cl.** **08-05**

(52) **U.S. Cl.**
USPC **D8/71**

(58) **Field of Classification Search**
USPC D8/8, 14, 66, 70, 71, 72, 349, 354;
D15/127, 132, 140, 141; D18/50
CPC B23B 41/12; B23B 47/28; B23B 49/023;
B23G 1/22; B23Q 9/00; B23Q 11/08;
B23Q 11/10; B25B 5/147; B25B 1/0064;
B25B 1/0078
See application file for complete search history.

(56) **References Cited**

U.S. PATENT DOCUMENTS

- 2,214,686 A * 9/1940 Weedy B23B 47/28
408/72 R
- 4,005,945 A * 2/1977 Gutman B23B 47/281
408/115 B
- 4,248,554 A * 2/1981 Boucher B23B 47/28
408/108
- 4,663,856 A * 5/1987 Hall G01C 9/28
33/373
- 4,692,726 A * 9/1987 Green H01P 1/2136
333/202
- 4,947,556 A * 8/1990 Peil G01C 9/24
138/104
- 5,051,044 A * 9/1991 Allen B25H 1/0064
408/92

OTHER PUBLICATIONS

Argcol. "HOLEMASTER Hole Drilling Tool." YouTube., Apr. 19, 2021 [online], [retrieved on Nov. 15, 2021]. Retrieved from the Internet <URL: <https://www.youtube.com/watch?v=5Uh1DQel3ff>>.

(Continued)

Primary Examiner — Darlington Ly
(74) *Attorney, Agent, or Firm* — Knobbe, Martens, Olson & Bear, LLP

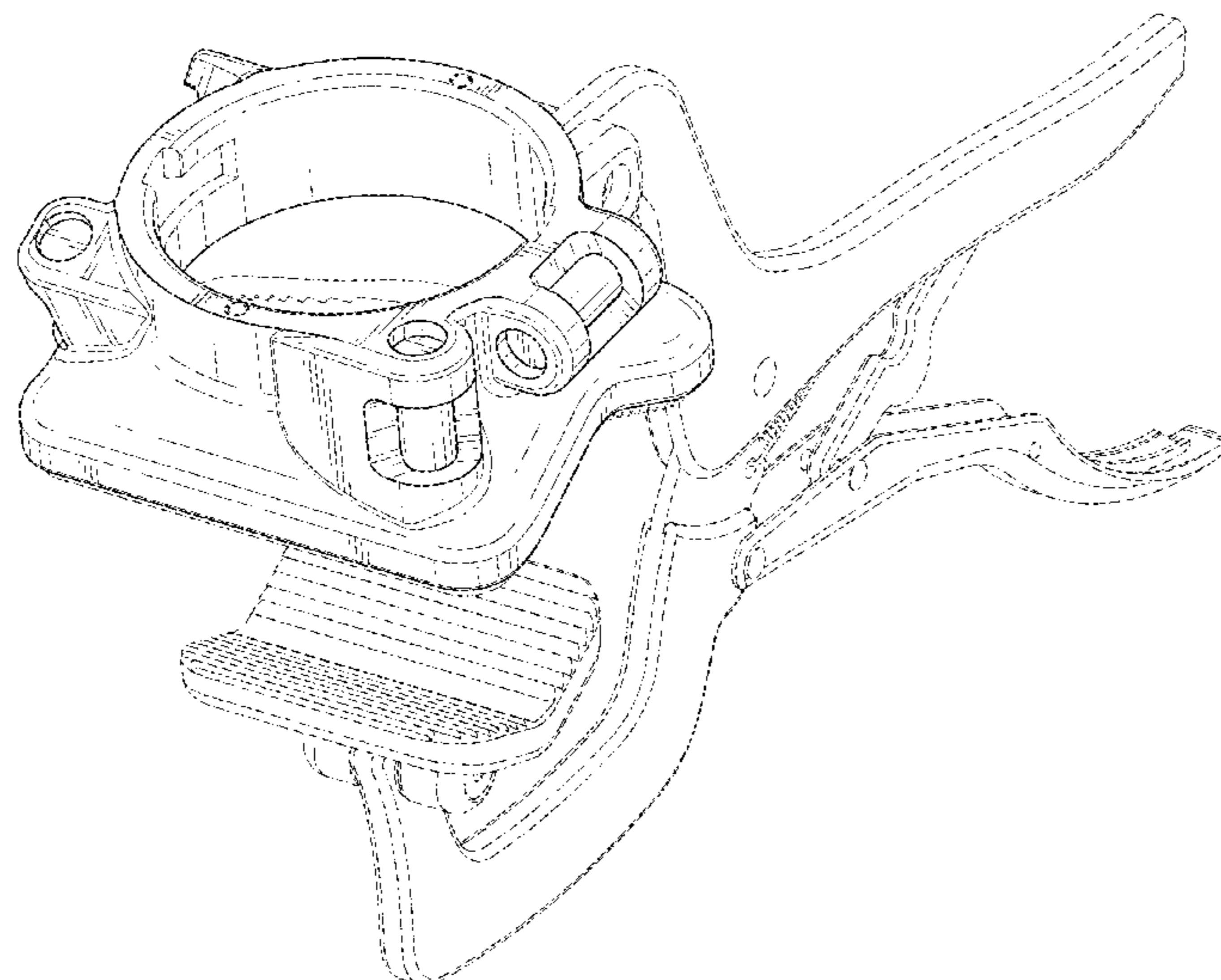
(57) **CLAIM**

The ornamental design for a guide, as shown and described.

DESCRIPTION

FIG. 1 is a top, front, and left side perspective view of a guide embodying my new design.
FIG. 2 is a bottom, front, and right side perspective view thereof;
FIG. 3 is a left side elevation view thereof;
FIG. 4 is a right side elevation view thereof;
FIG. 5 is a top plan view thereof;
FIG. 6 is a bottom plan view thereof;
FIG. 7 is a front elevation view thereof; and,
FIG. 8 is a rear elevation view thereof.
The broken lines in the drawings illustrate portions of the guide that form no part of the claimed design.

1 Claim, 7 Drawing Sheets



(56)

References Cited

U.S. PATENT DOCUMENTS

6,568,095 B2 * 5/2003 Snyder G01C 9/28
 33/370
 6,910,837 B2 * 6/2005 Trettin B23B 47/287
 408/1 R
 D516,891 S * 3/2006 Thomas D8/70
 D519,337 S * 4/2006 Thomas D8/14
 D521,330 S * 5/2006 Thomas D8/14
 D705,632 S * 5/2014 Larson D8/71
 8,713,811 B2 * 5/2014 Carrell B25H 7/005
 33/529
 D724,405 S * 3/2015 Larson D8/71
 D726,911 S * 4/2015 Gantes D24/152
 9,403,219 B2 * 8/2016 Trettin E04F 21/003
 D807,137 S * 1/2018 Whitaker D8/72
 D824,741 S * 8/2018 Davis D8/71
 D843,806 S * 3/2019 Brigham D8/71
 D863,017 S * 10/2019 Mefferd D8/71
 D869,255 S * 12/2019 Thackery D8/71

10,935,380 B2 * 3/2021 Cochran G01C 9/28
 D933,467 S * 10/2021 Von Fange D8/396
 2005/0129472 A1 * 6/2005 Liu E05B 17/06
 408/115 R

OTHER PUBLICATIONS

“Argco Holemaster Hole Drilling Tool.” Argco., Nov. 24, 2021 [online], [retrieved on Nov. 15, 2021]. Retrieved from the Internet <URL: <https://argco.com/piping-tools/3099098.html>>.*
 “Big Gator Tools V-Drill Guide, Standard Sizes 3/8" to 1/2".” Amazon., Nov. 22, 2013 [online], [retrieved on Nov. 15, 2021]. Retrieved from the Internet <URL: https://www.amazon.com/gp/product/B00GUS6VZY/ref=as_li_qf_sp_asin_il_tl?ie=UTF8&camp=1789&creative=9325&creativeASIN=B00GUS6VZY&linkCode=as2&tag=worksaddic-20&linkId=SQ6TPNNAV5R3G5VY>.*
 Spotter Level has 1" Male NPT and 1/2" Female NPT, <https://www.argco.com/level-spot-rite-screws-into-1-2-3-4-1ips.html> in 3 pages, May 16, 2018.

* cited by examiner

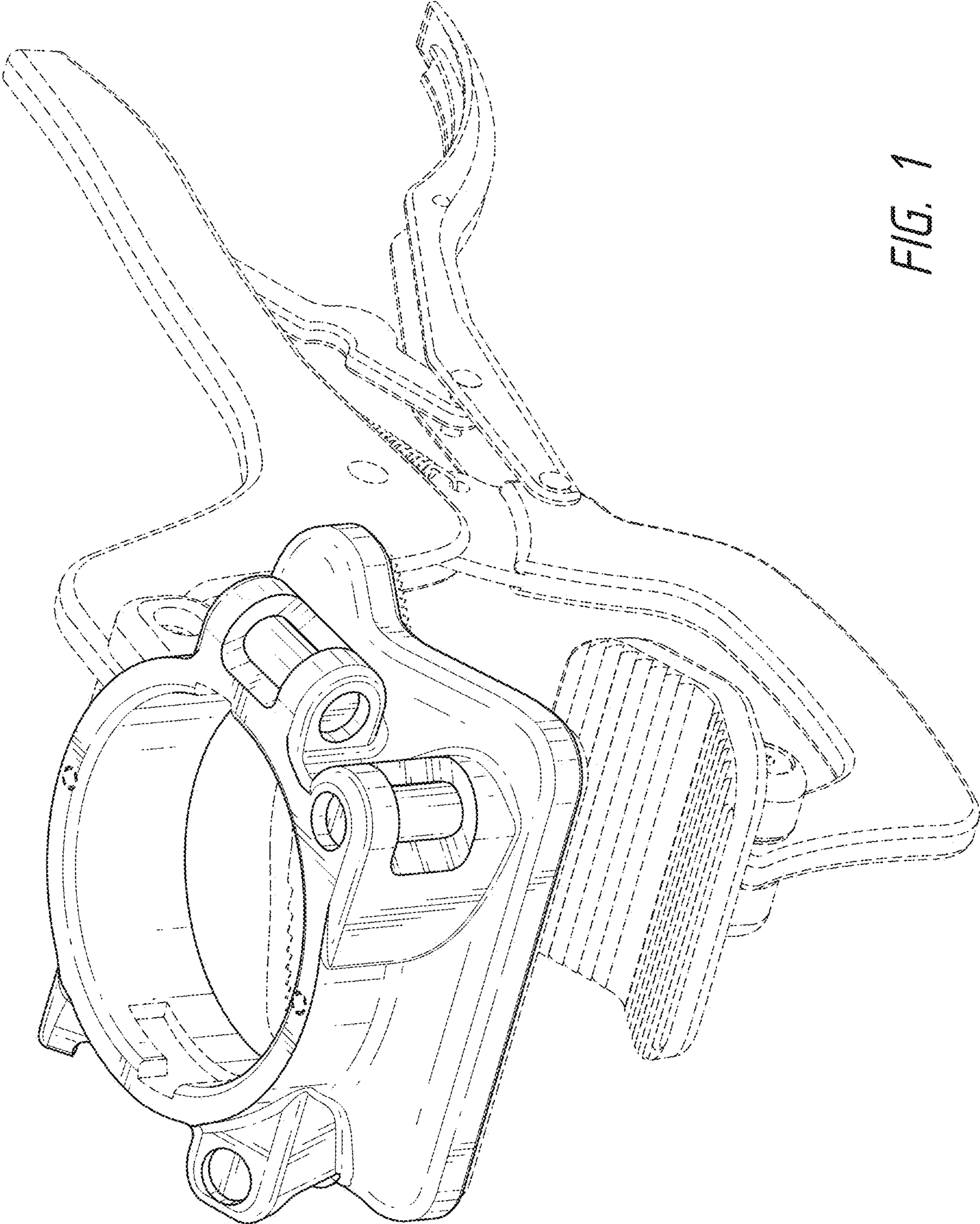


FIG. 1

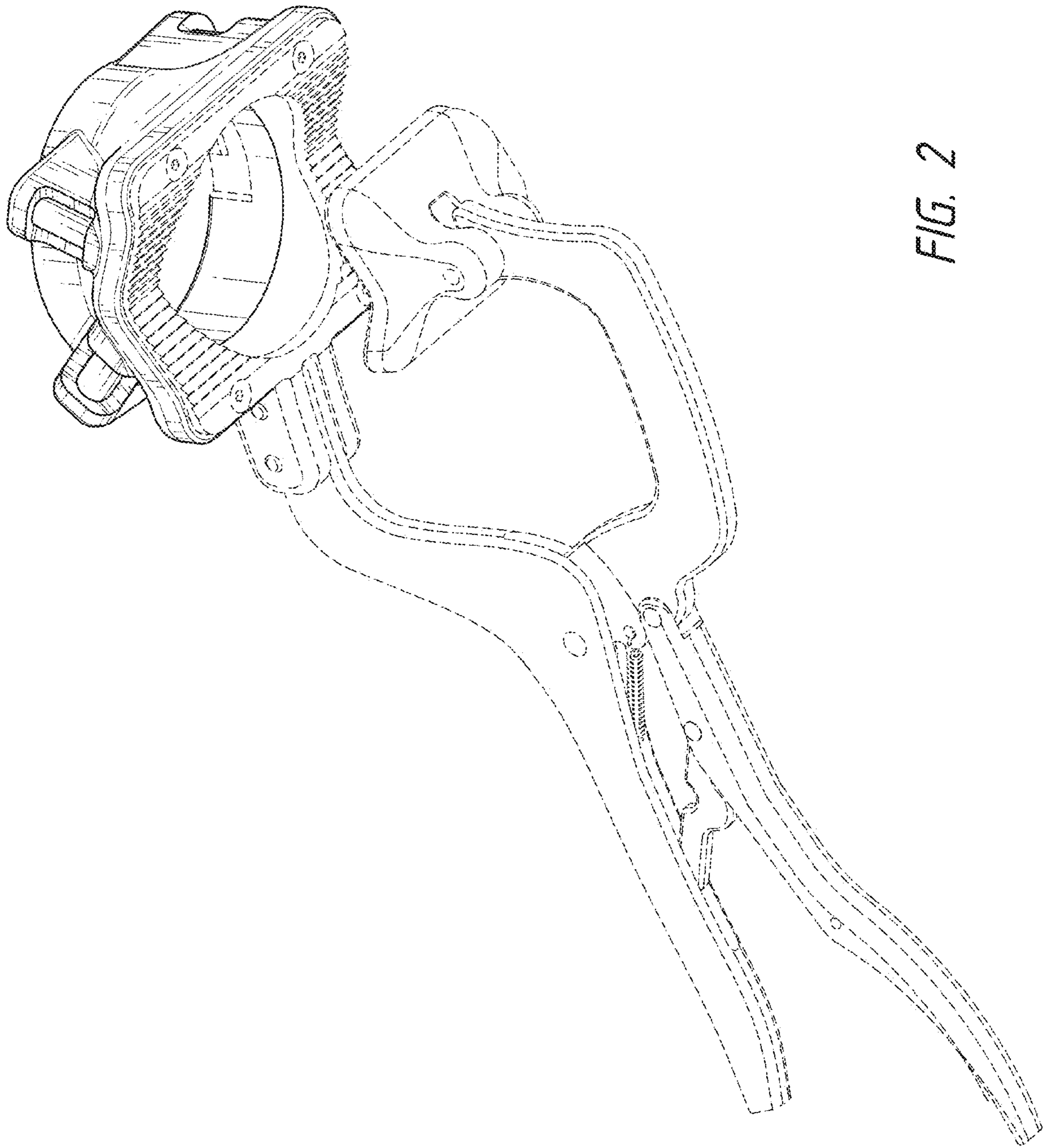


FIG. 2

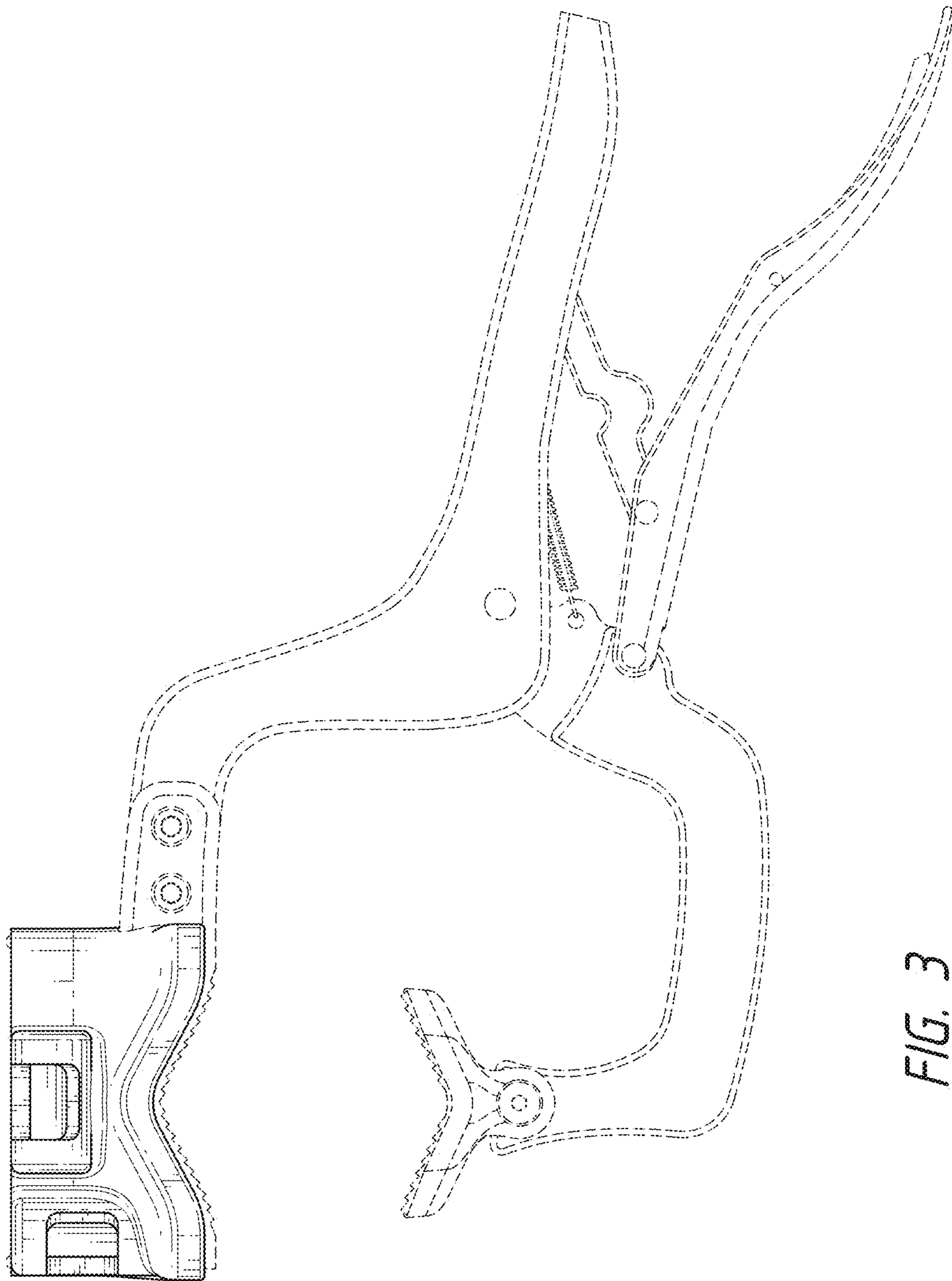
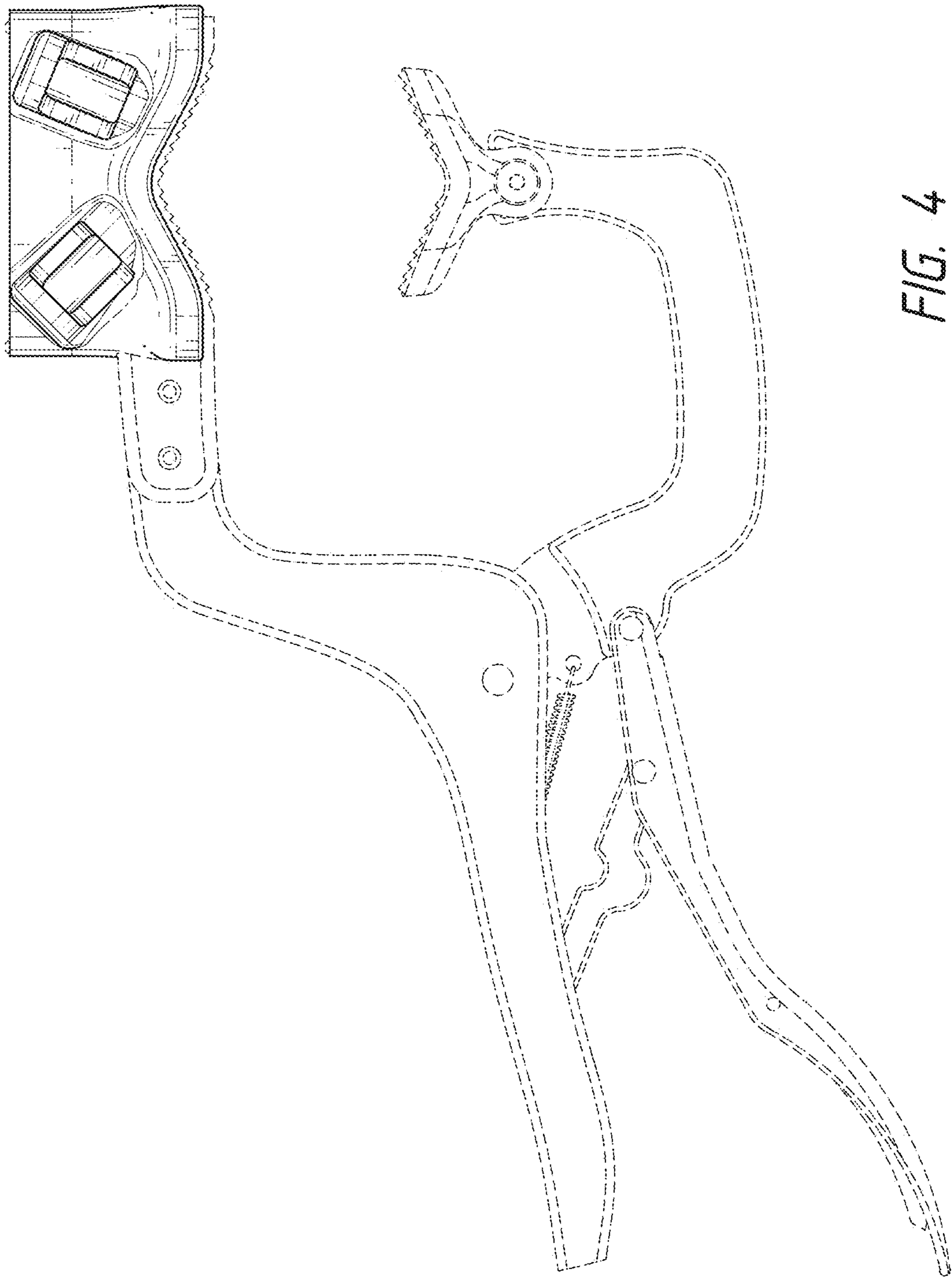


FIG. 3



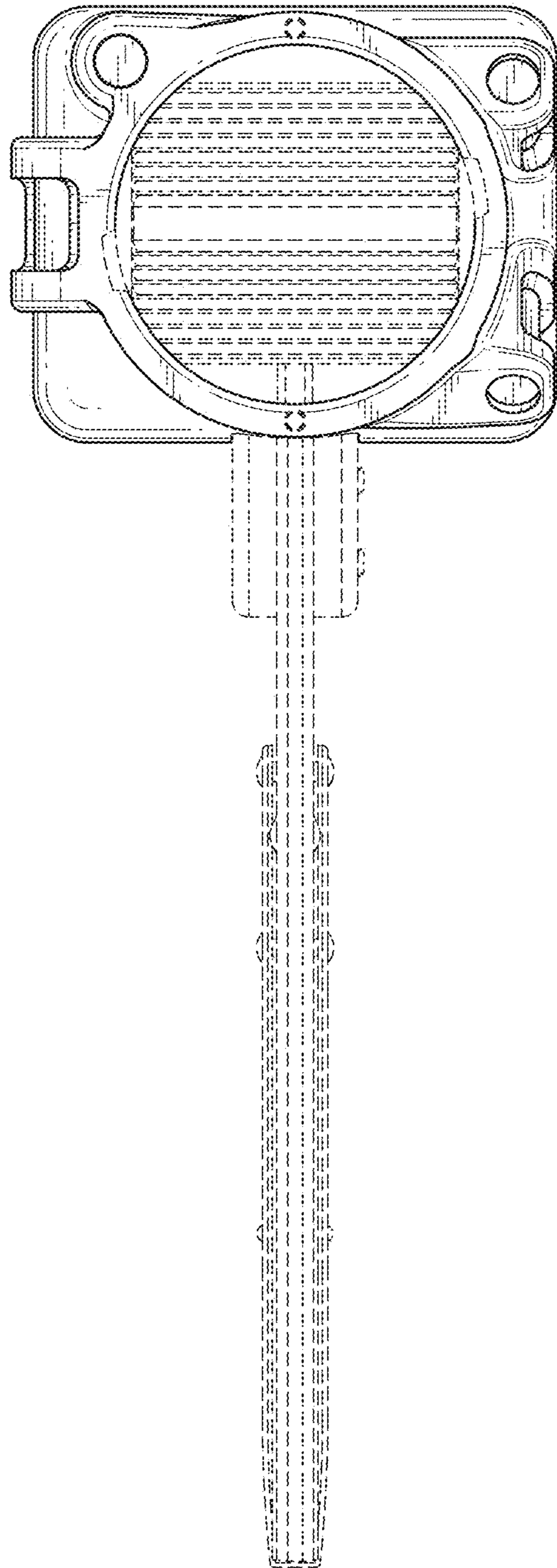


FIG. 5

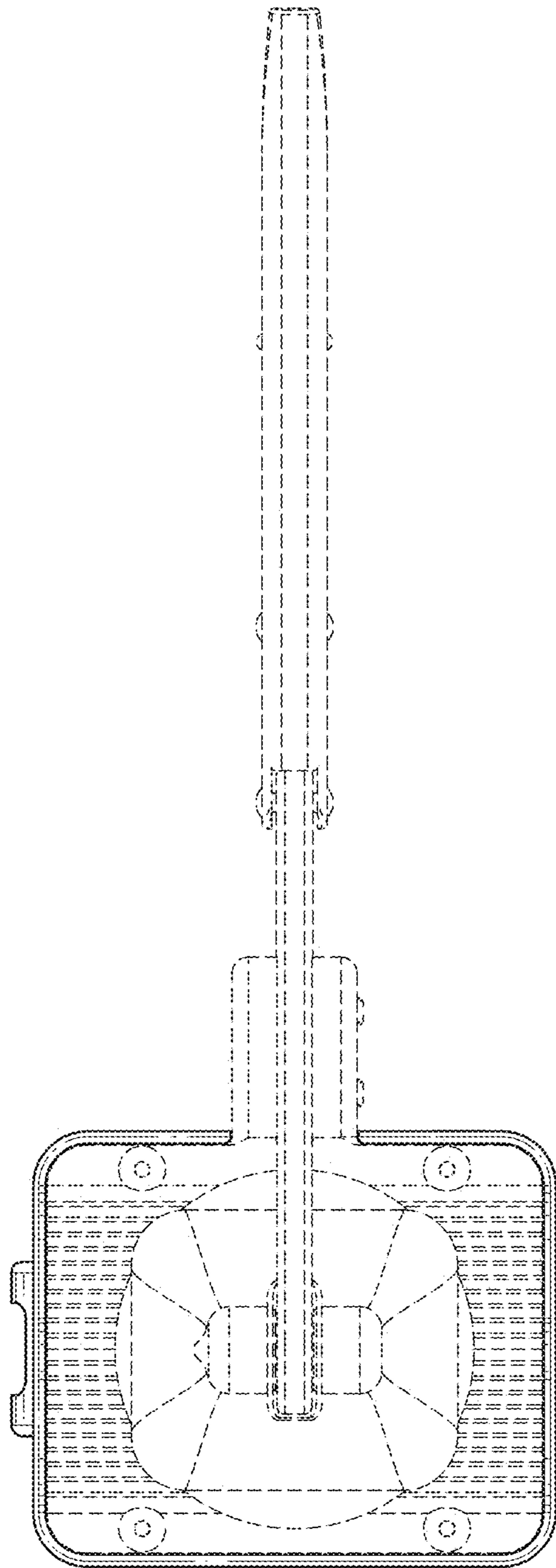


FIG. 6

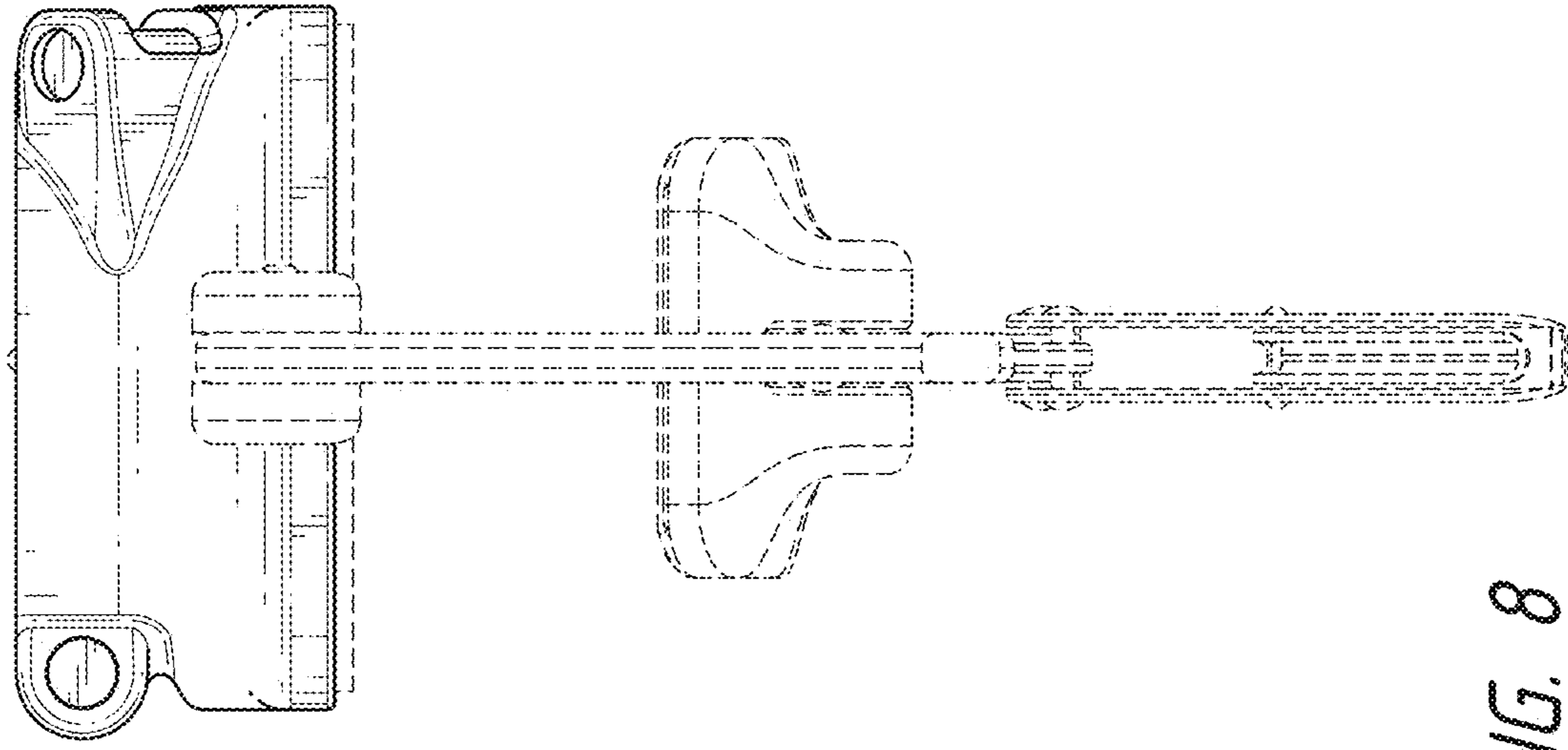


FIG. 8

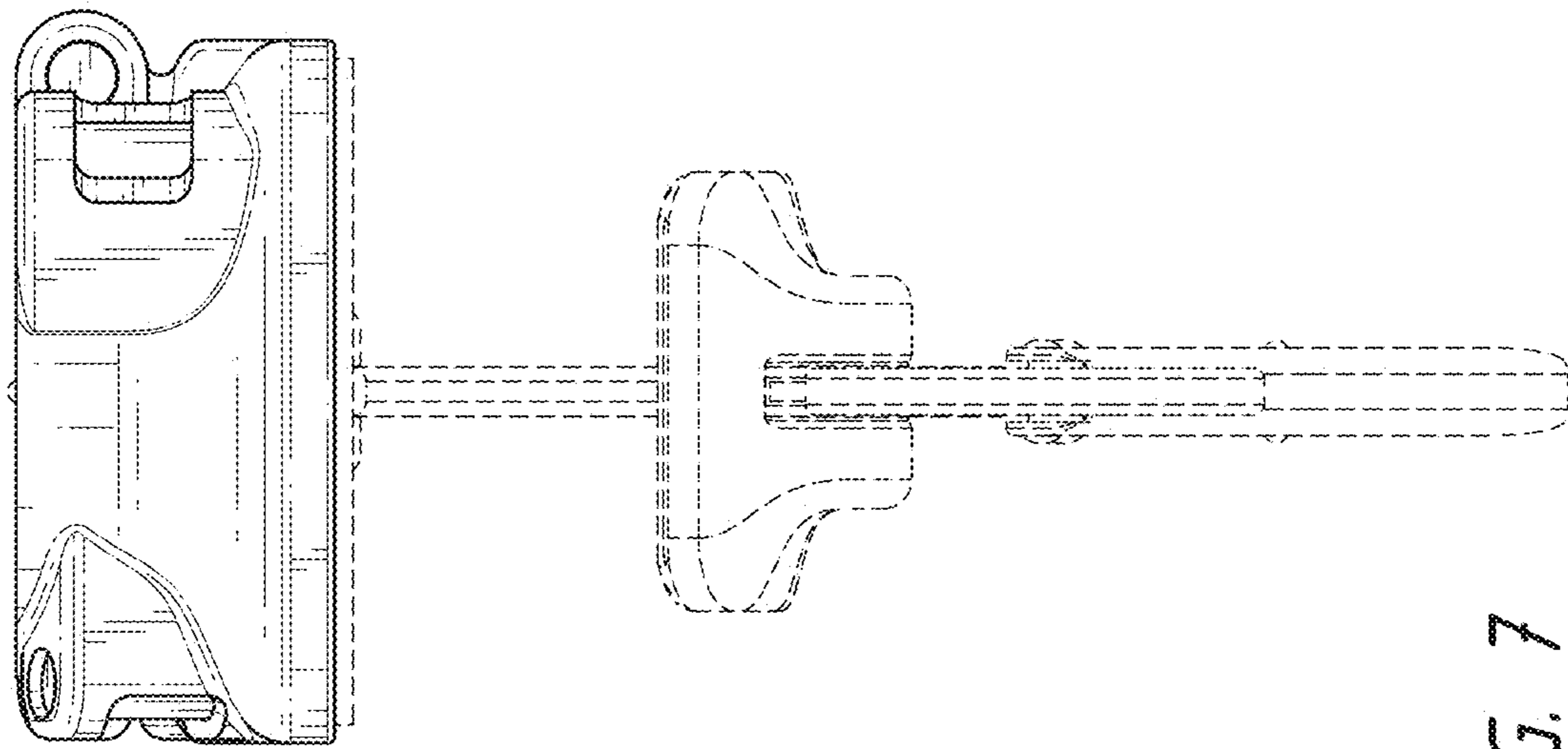


FIG. 7