



US00D947638S

(12) **United States Design Patent** (10) **Patent No.:** **US D947,638 S**  
**Fernandez et al.** (45) **Date of Patent:** **\*\* Apr. 5, 2022**

(54) **TOOL HOLDER ASSEMBLY**  
(71) Applicant: **Cricut, Inc.**, South Jordan, UT (US)  
(72) Inventors: **Joaquin Fernandez**, Oakland, CA (US); **Grayson Stopp**, San Francisco, CA (US); **John Dalton**, South Jordan, UT (US)  
(73) Assignee: **Cricut, Inc.**, South Jordan, UT (US)

D877,214 S \* 3/2020 Crisp ..... D15/127  
D887,246 S \* 6/2020 Chang ..... D8/107  
D902,998 S \* 11/2020 Wolter ..... D19/202  
D902,999 S \* 11/2020 Wolter ..... D19/202  
2006/0029479 A1\* 2/2006 Stoll ..... B23B 31/1179  
409/136  
2015/0258699 A1\* 9/2015 Vander Woude ..... B26D 5/34  
83/13  
2016/0167188 A1\* 6/2016 Davis ..... B24B 3/247  
451/48  
2017/0259450 A1\* 9/2017 Oka ..... B65H 35/0086  
2019/0061025 A1\* 2/2019 Trecapelli ..... B23C 5/26

(\*\*) Term: **15 Years**

(21) Appl. No.: **29/697,378**

(22) Filed: **Jul. 8, 2019**

(51) **LOC (13) Cl.** ..... **08-05**

(52) **U.S. Cl.**  
USPC ..... **D8/71**

(58) **Field of Classification Search**  
USPC ..... D15/140; D08/71, 14, 107, 98  
CPC ..... B25B 23/0028; B25F 1/04; B23B  
2231/2027; B23C 2250/04; B23C 5/26  
See application file for complete search history.

(56) **References Cited**

U.S. PATENT DOCUMENTS

D278,245 S \* 4/1985 Smith ..... D15/140  
D278,344 S \* 4/1985 Smith ..... D15/140  
D344,005 S \* 2/1994 Arai ..... D8/98  
D383,962 S \* 9/1997 Daley ..... D19/163  
D392,537 S \* 3/1998 Schulz ..... D8/51  
D484,977 S \* 1/2004 Ryan ..... D24/133  
D514,420 S \* 2/2006 Xu ..... D8/107  
D565,917 S \* 4/2008 Peterson ..... D8/98  
D592,482 S \* 5/2009 Gregory ..... D8/107  
D618,715 S \* 6/2010 Corcoran ..... D15/140  
D635,429 S \* 4/2011 Hakki ..... D8/70  
D669,988 S \* 10/2012 Packard ..... D24/147  
D697,769 S \* 1/2014 Lion ..... D7/694  
D741,134 S \* 10/2015 Massey ..... D8/70

OTHER PUBLICATIONS

Cricut Maker New Tools, Date Published: Jul. 8, 2019, Youtube, Date Visited: Nov. 30, 2020, <https://www.youtube.com/watch?v=nKcn9KHcdDI> (Year: 2019).\*

\* cited by examiner

*Primary Examiner* — Susan Bennett Hattan

*Assistant Examiner* — Elizabeth S Ko

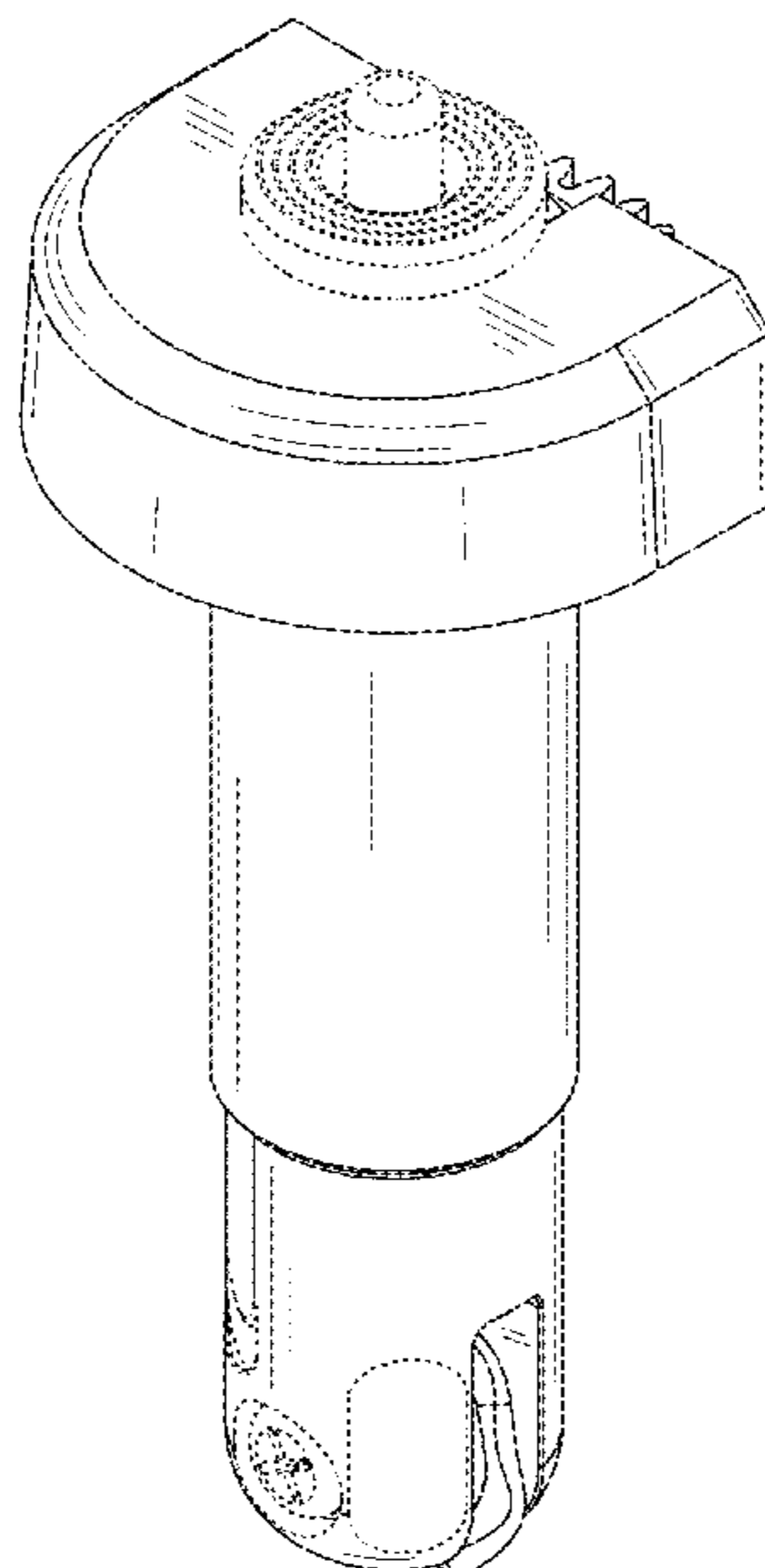
(57) **CLAIM**

The ornamental design for a tool holder assembly, as shown and described.

**DESCRIPTION**

FIG. 1 is a front, left, top isometric view;  
FIG. 2 is a front, left, bottom isometric view;  
FIG. 3 is a right side elevation view;  
FIG. 4 is a left side elevation view,  
FIG. 5 is a front side elevation view;  
FIG. 6 is a back side elevation view;  
FIG. 7 is an enlarged top plan view; and,  
FIG. 8 is an enlarged bottom plan view.  
The broken lines in the figures show portions of the tool holder assembly that form no part of the claimed design.

**1 Claim, 7 Drawing Sheets**



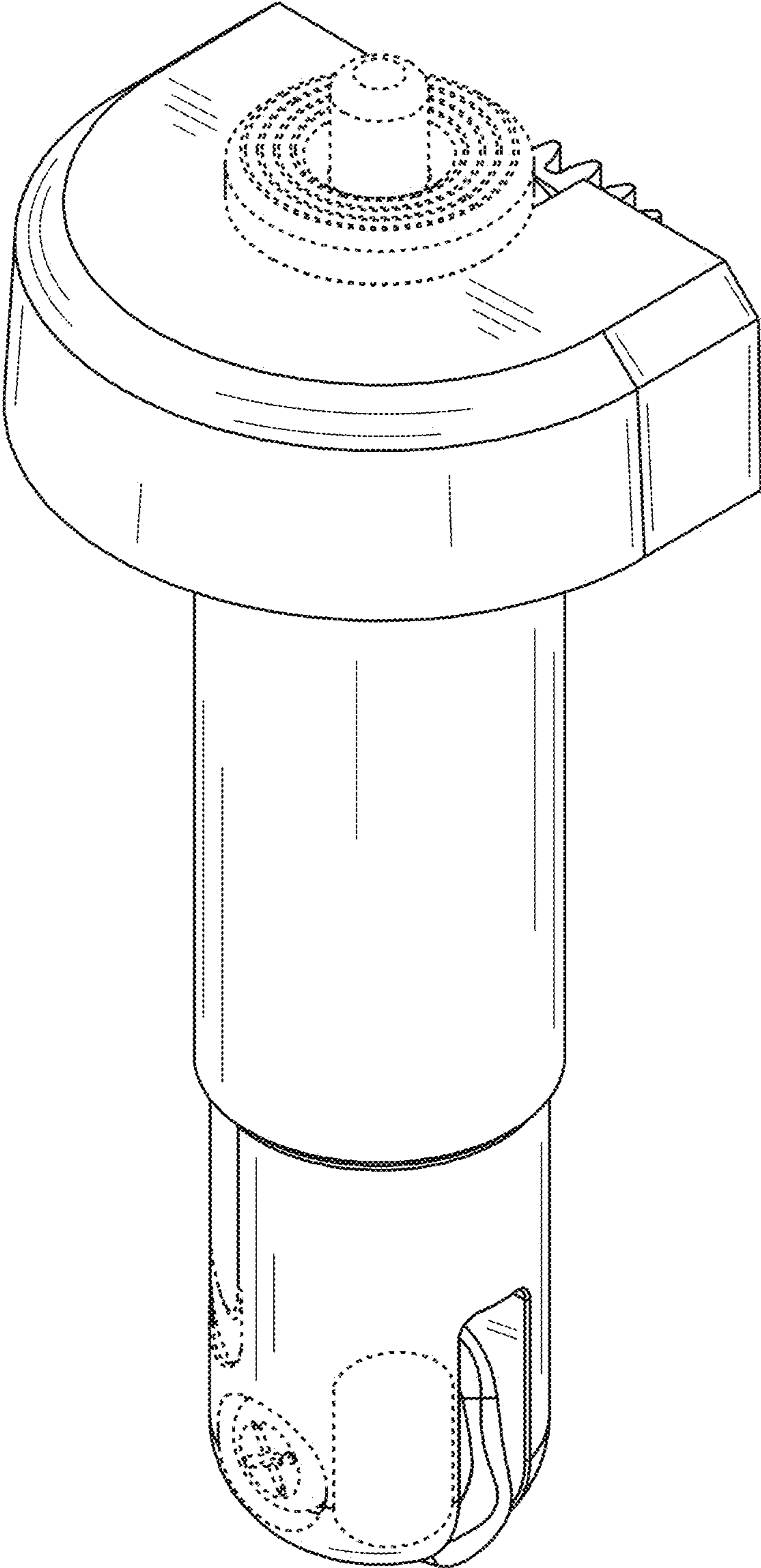


FIG. 1

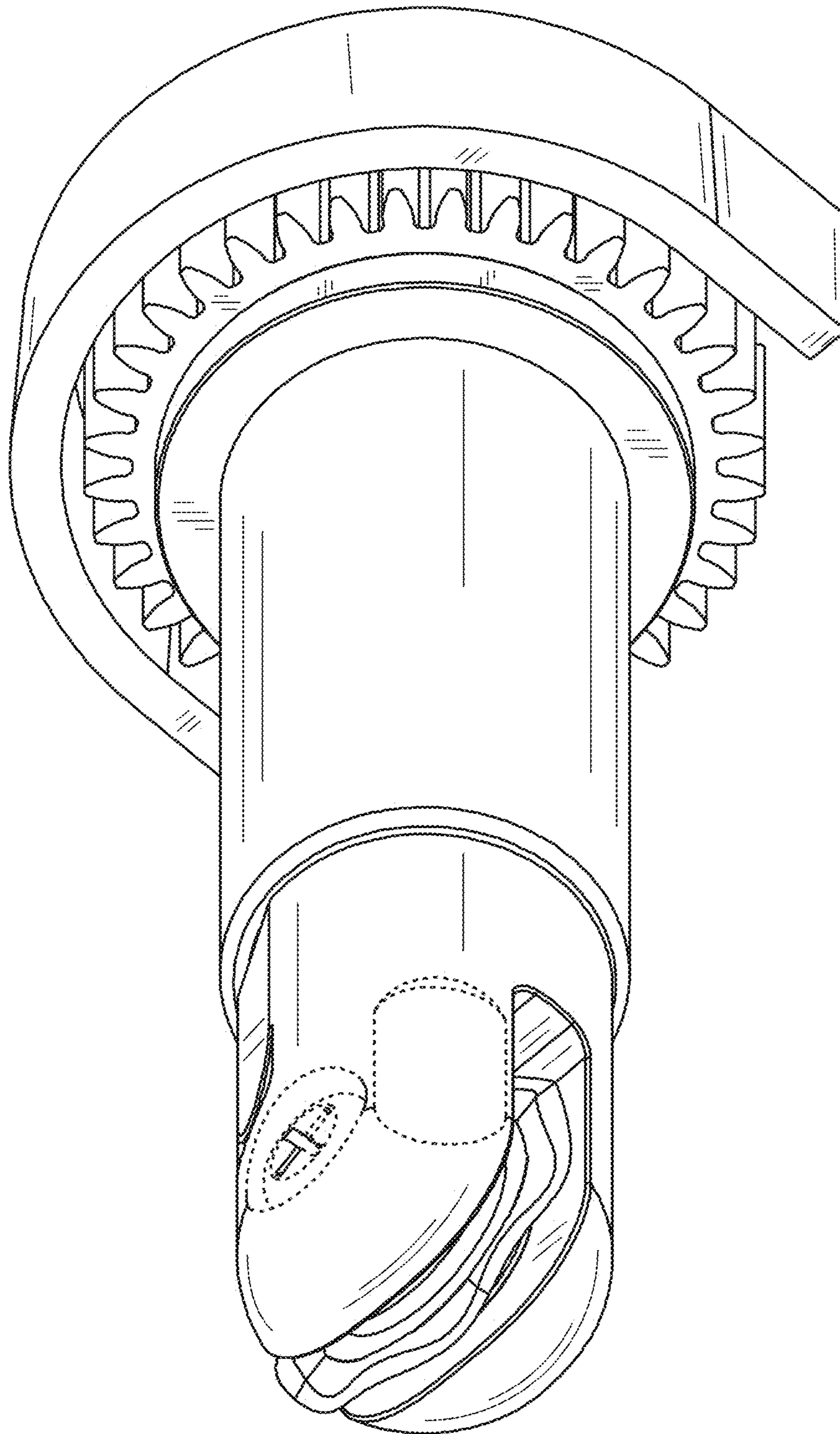


FIG. 2

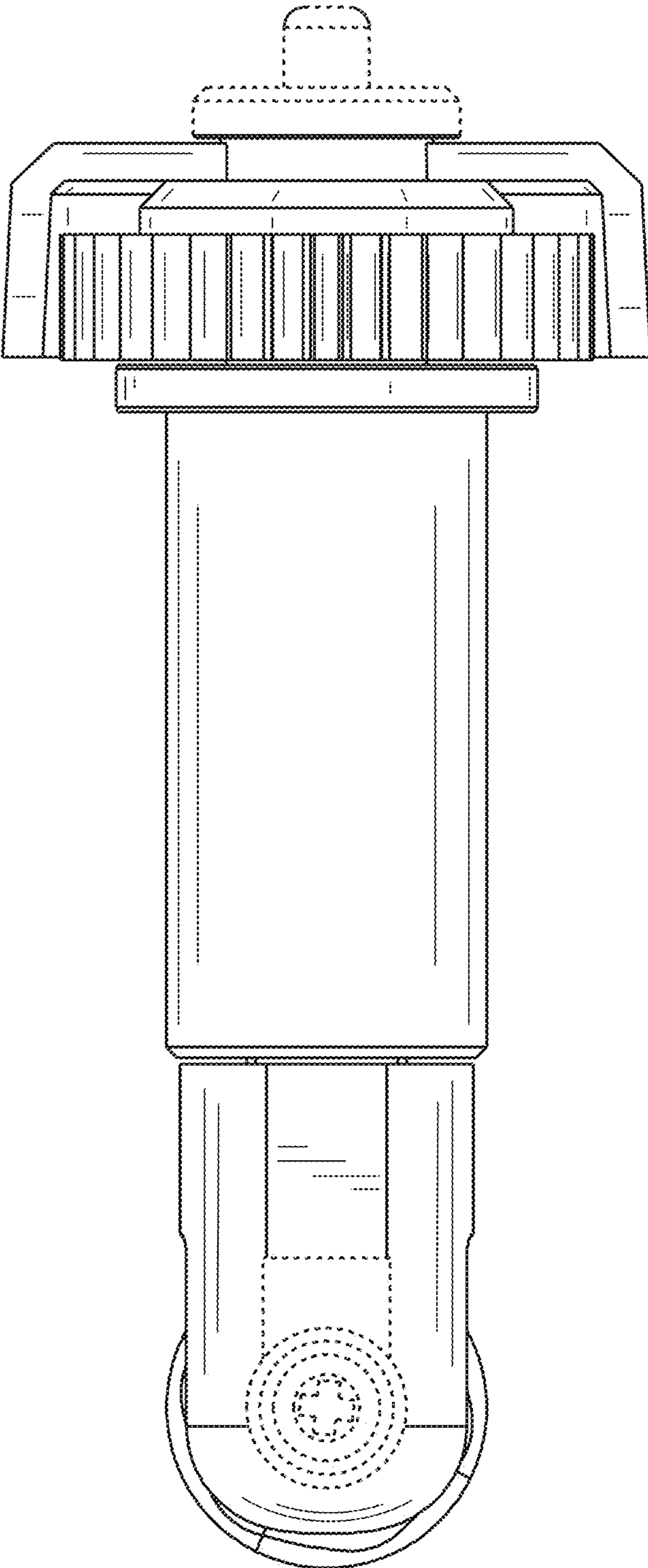


FIG. 3

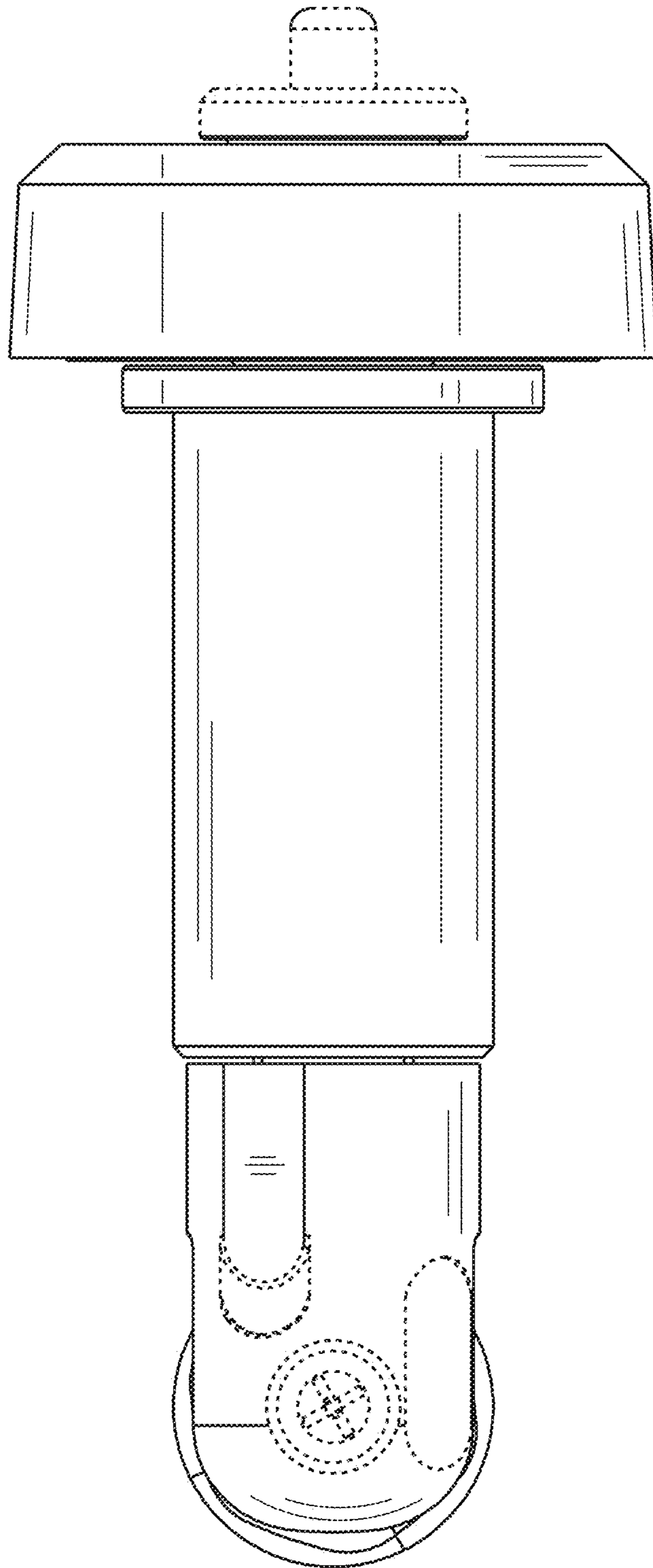


FIG. 4

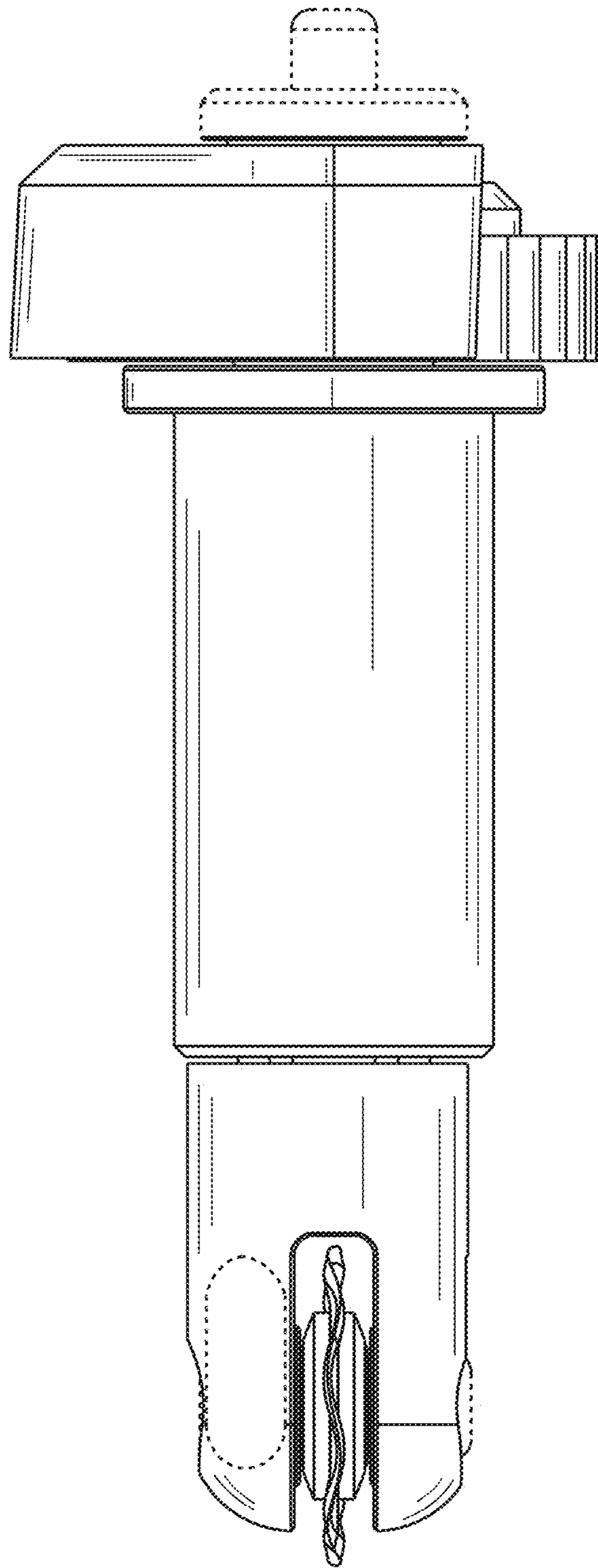


FIG. 5

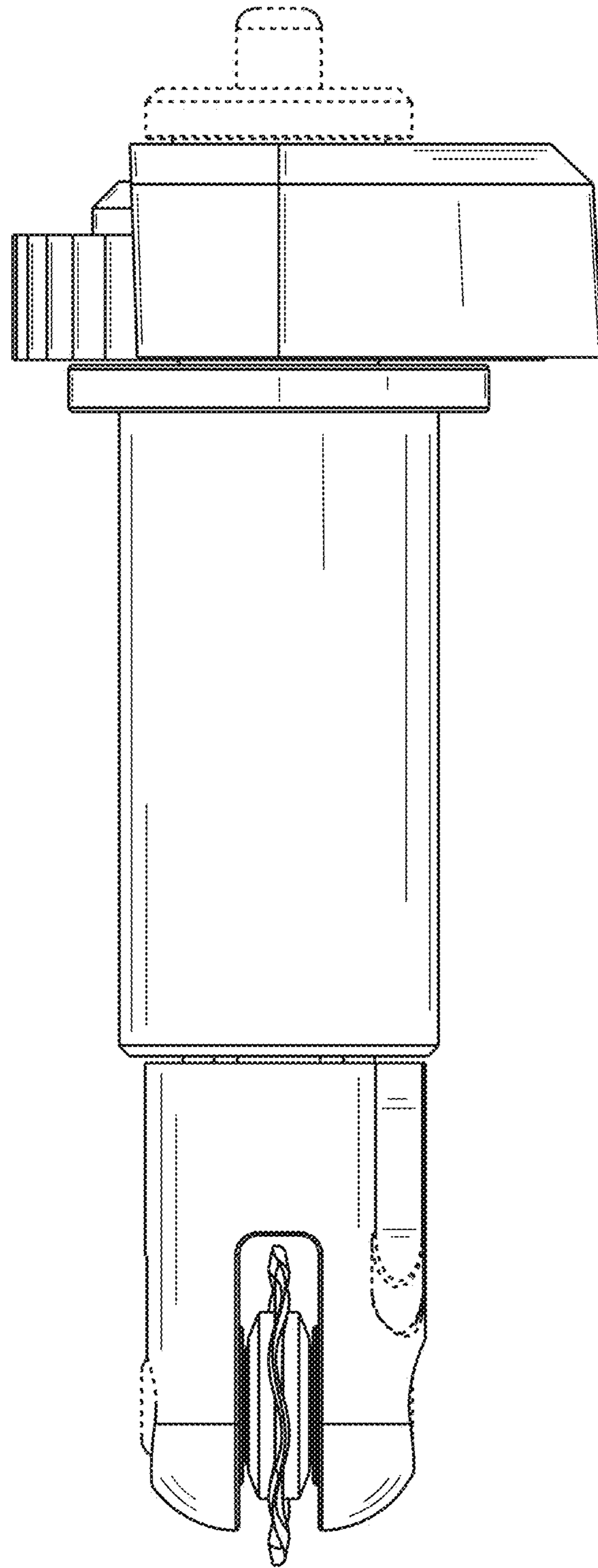


FIG. 6

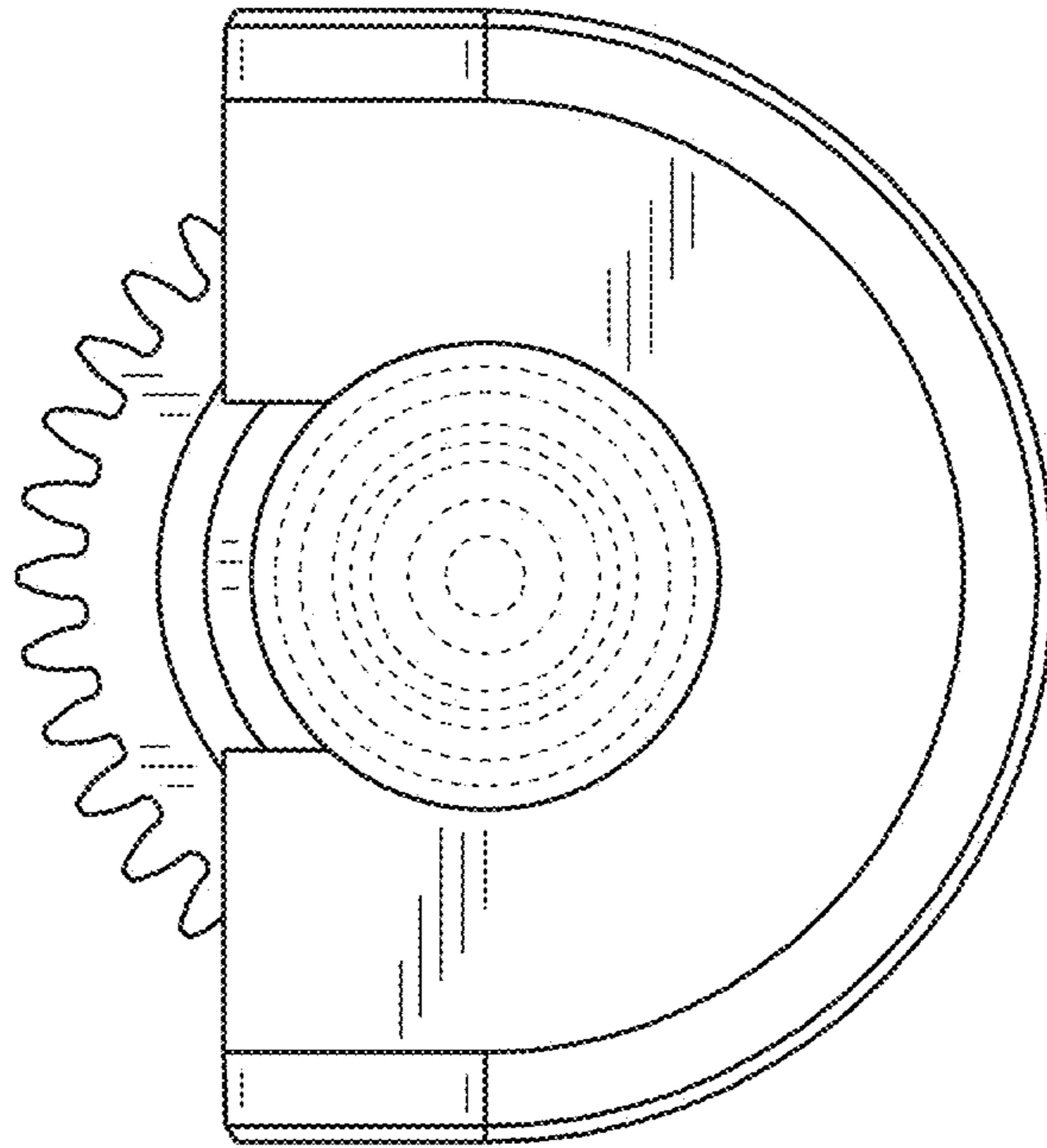


FIG. 7

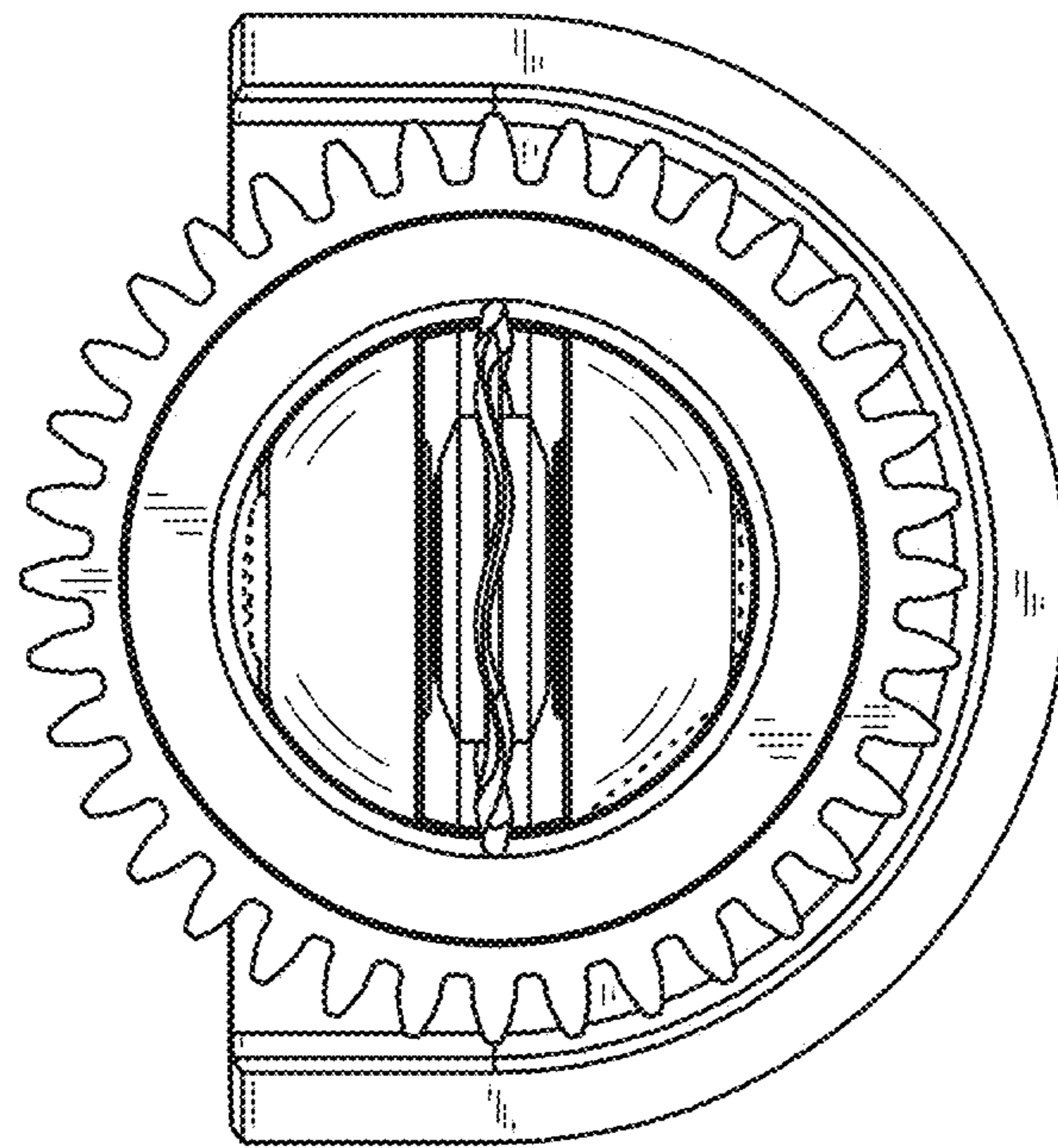


FIG. 8